



US00D756937S

(12) **United States Design Patent**
Landqvist et al.

(10) **Patent No.:** **US D756,937 S**

(45) **Date of Patent:** **** May 24, 2016**

(54) **FRAME FOR PIPE PENETRATIONS AND CABLE ENTRIES**

(71) Applicant: **Roxtec AB**, Karlskrona (SE)

(72) Inventors: **Jörgen Landqvist**, Karlskrona (SE);
Andreas Karlsson, Karlskrona (SE)

(73) Assignee: **Roxtec AB**, Karlskrona (SE)

(**) Term: **14 Years**

(21) Appl. No.: **29/520,028**

(22) Filed: **Mar. 10, 2015**

(30) **Foreign Application Priority Data**

Sep. 11, 2014 (EM) 002536367

(51) **LOC (10) Cl.** **13-03**

(52) **U.S. Cl.**
USPC **D13/155**

(58) **Field of Classification Search**
USPC D13/155, 153, 156, 157, 184, 199;
D8/349, 354, 356, 394, 396; 174/68.1,
174/68.2, 68.3; 248/49, 53, 60; 361/827;
385/134, 135; 439/207, 210, 446, 445,
439/447

CPC .. G02B 6/4452; G02B 6/4459; G02B 6/4478;
G02B 6/3608; H02G 3/045; H02G 3/0456;
H02G 9/06; H02G 3/0487; H02G 3/26;
H02G 5/06; B29C 47/0028

See application file for complete search history.

(56) **References Cited**

U.S. PATENT DOCUMENTS

D295,724 S * 5/1988 Shioda D8/380
D328,060 S * 7/1992 DeSantis D13/147

D354,672 S * 1/1995 Van de Peer D8/354
D358,545 S * 5/1995 Price D8/356
6,201,921 B1 * 3/2001 Quesnel G02B 6/4442
385/135
D468,996 S * 1/2003 Sarkinen D8/356
D489,960 S * 5/2004 Grendahl D8/354
D490,293 S * 5/2004 Brown D8/354
D571,192 S * 6/2008 Stomp D8/356
D597,403 S * 8/2009 Ho D8/356
D641,611 S * 7/2011 Minayoshi D8/354
8,020,259 B2 * 9/2011 Ho F16L 3/222
24/129 R
D647,785 S * 11/2011 Hecht D8/356
D678,046 S * 3/2013 Smith D8/394
D685,745 S * 7/2013 Lee D13/155
D687,384 S * 8/2013 Kazakia D13/155
D733,534 S * 7/2015 Altrichter D8/356
D733,535 S * 7/2015 Egami D8/356

* cited by examiner

Primary Examiner — Derrick Holland

Assistant Examiner — Jennifer O King

(74) *Attorney, Agent, or Firm* — Merchant & Gould P.C.

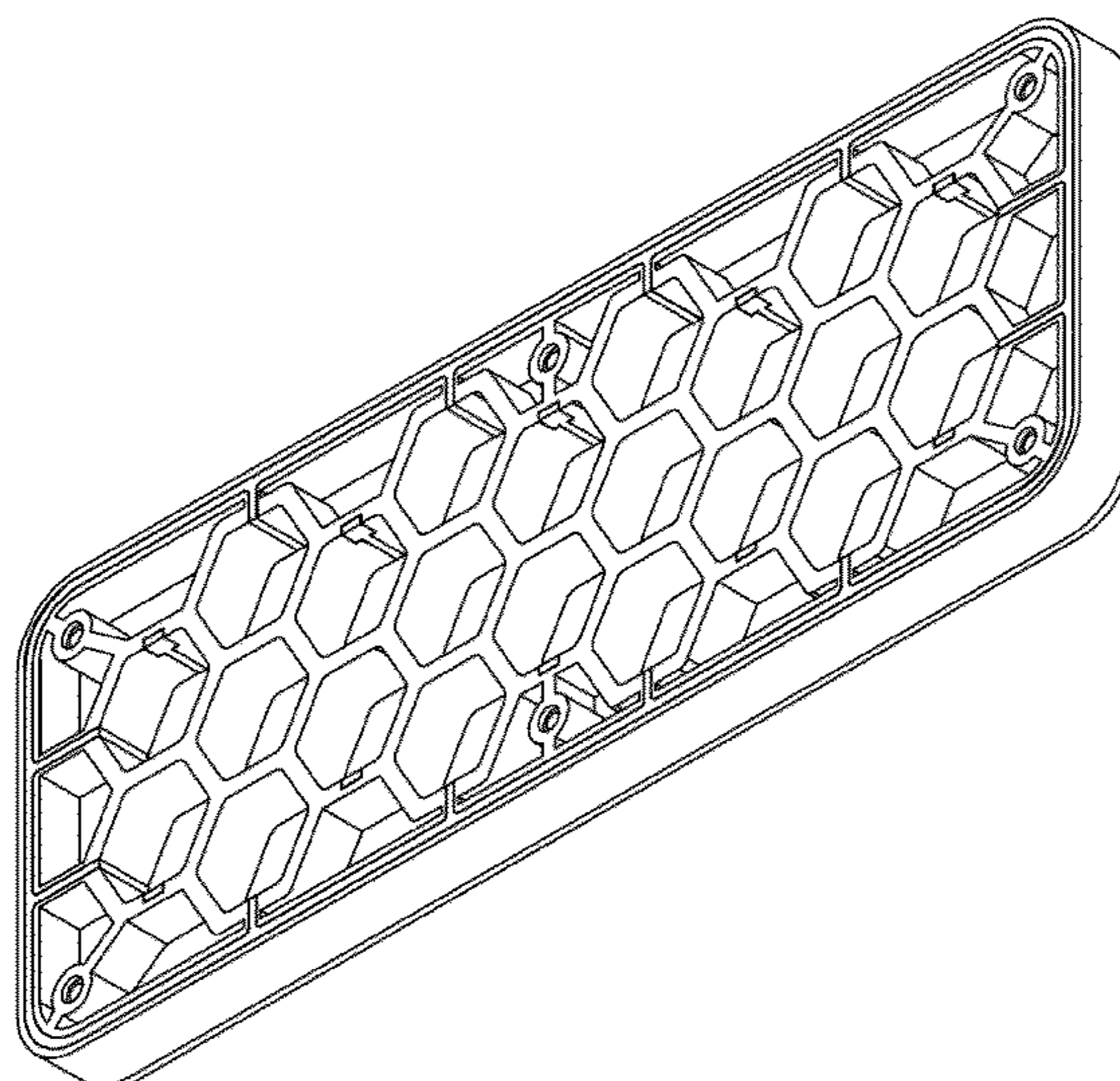
(57) **CLAIM**

The ornamental design for a frame for pipe penetrations and cable entries, as shown and described.

DESCRIPTION

FIG. 1 is a top perspective view of a frame for pipe penetrations and cable entries;
FIG. 2 is a side view thereof;
FIG. 3 is a bottom plan view thereof;
FIG. 4 is a bottom perspective view thereof;
FIG. 5 is another top perspective view thereof;
FIG. 6 is an end view thereof; and,
FIG. 7 is a top plan view thereof.

1 Claim, 7 Drawing Sheets



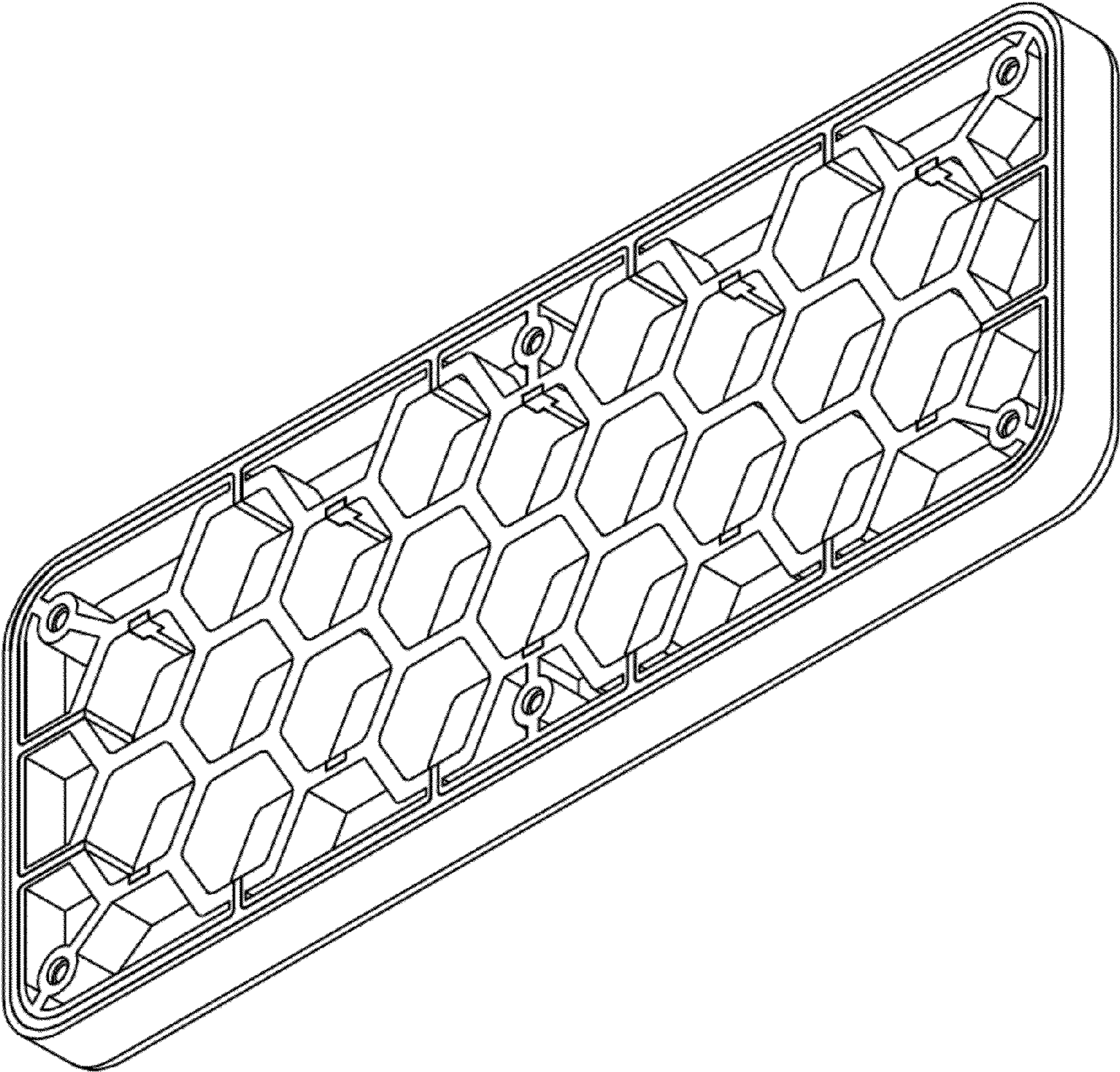


FIGURE 1

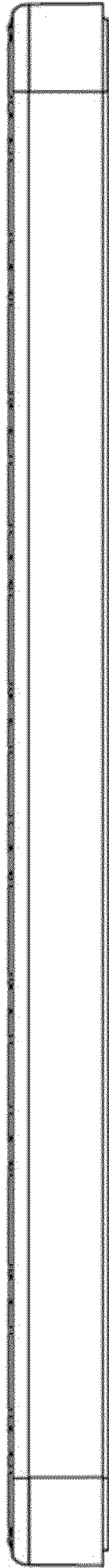


FIGURE 2

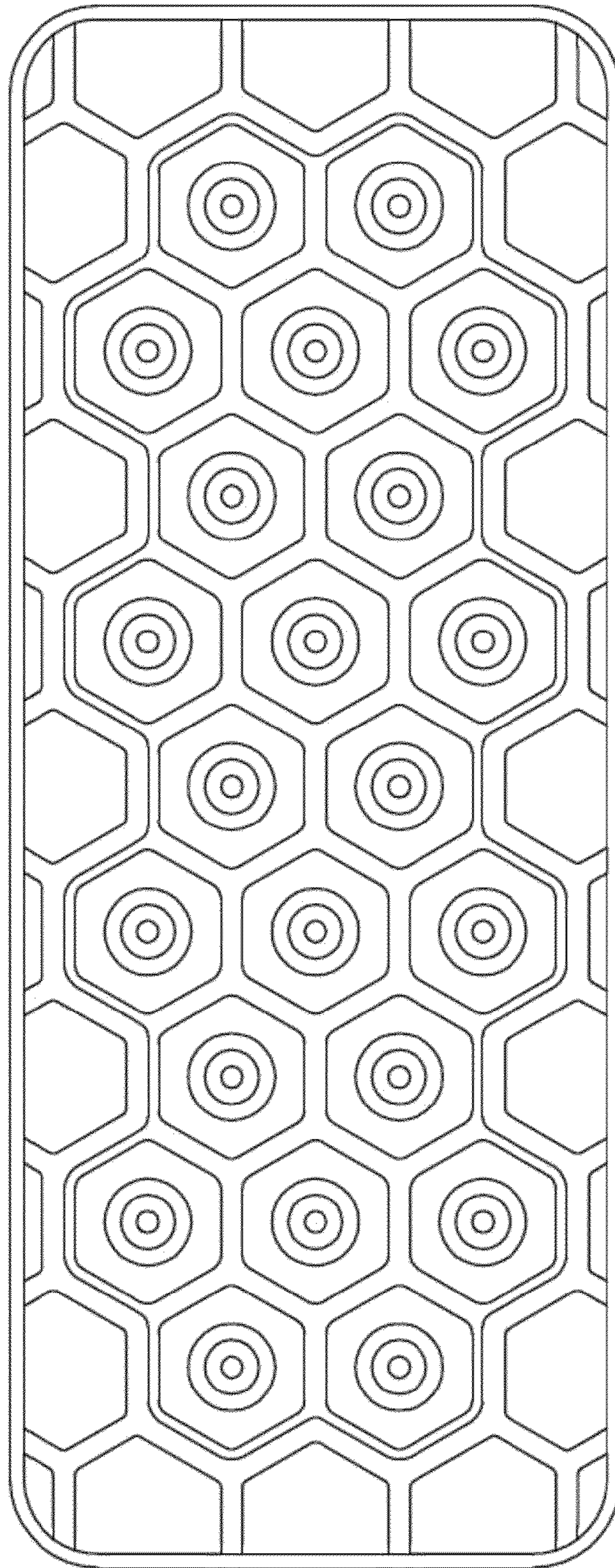


FIGURE 3

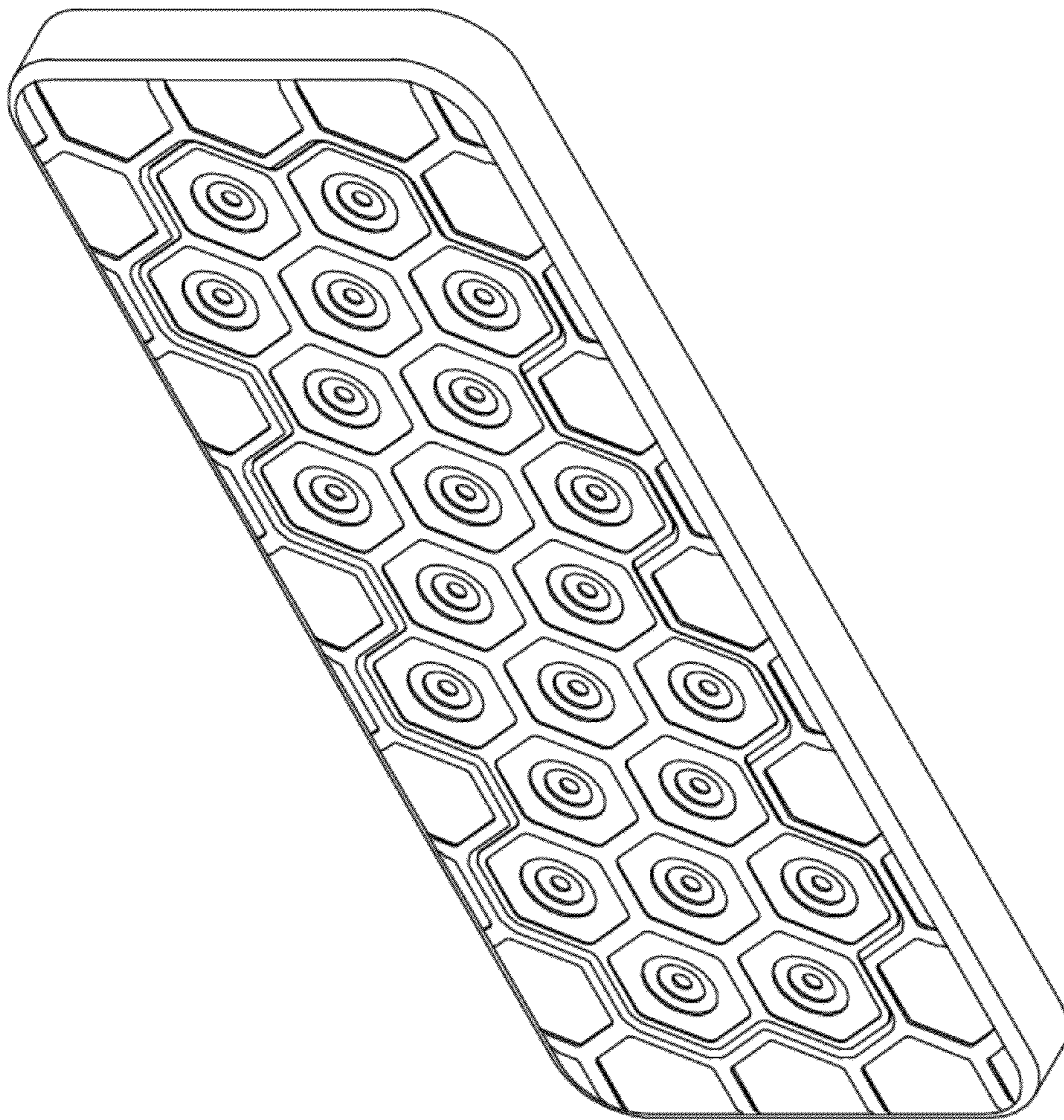


FIGURE 4

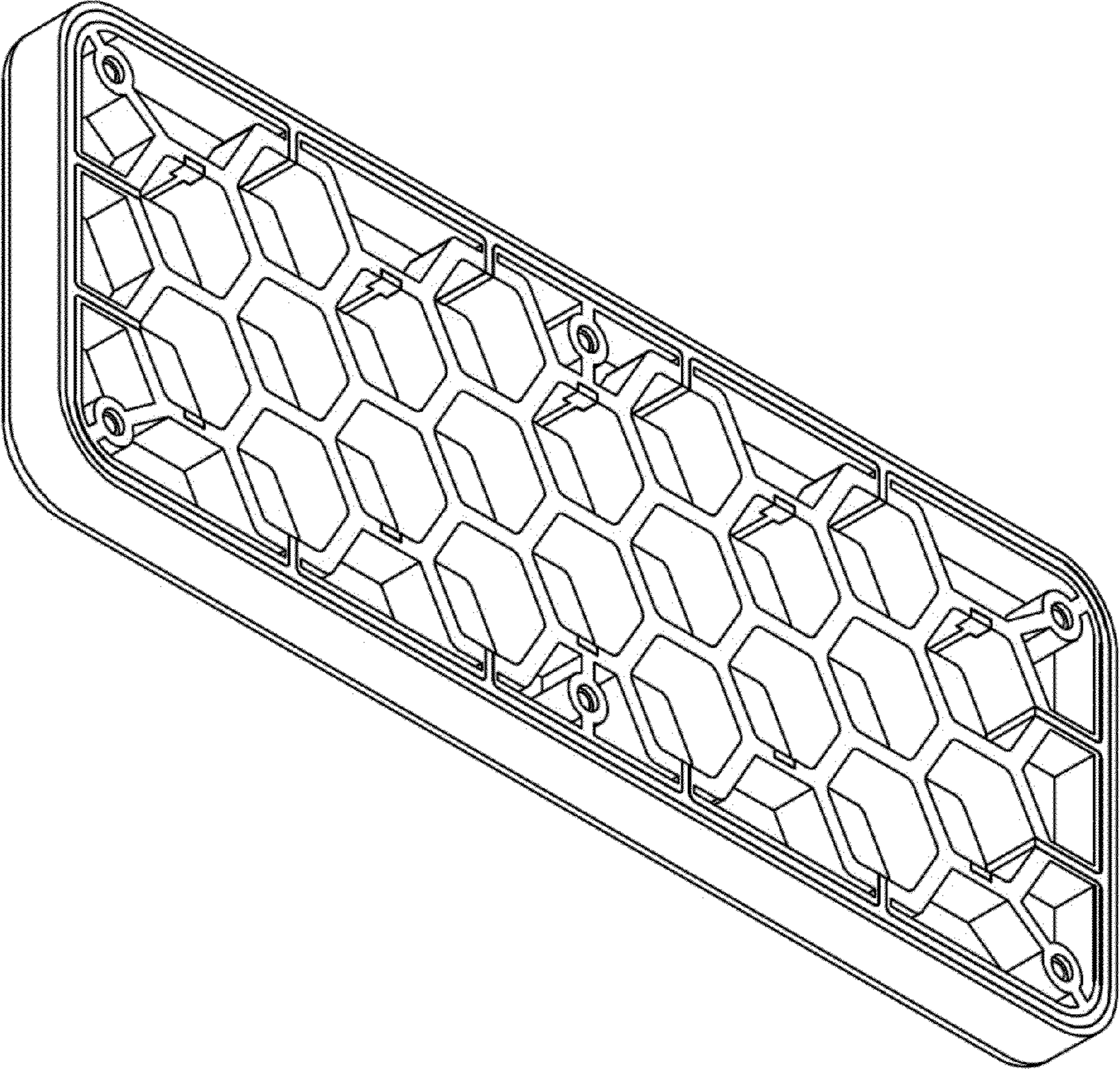


FIGURE 5

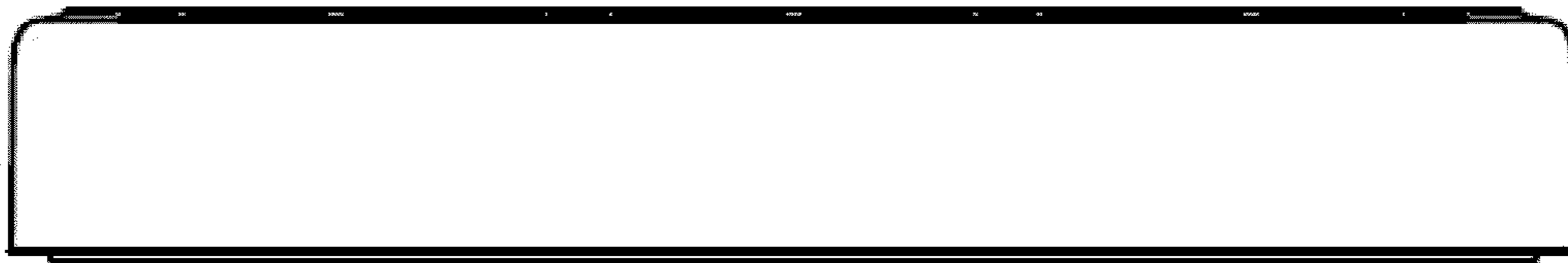


FIGURE 6

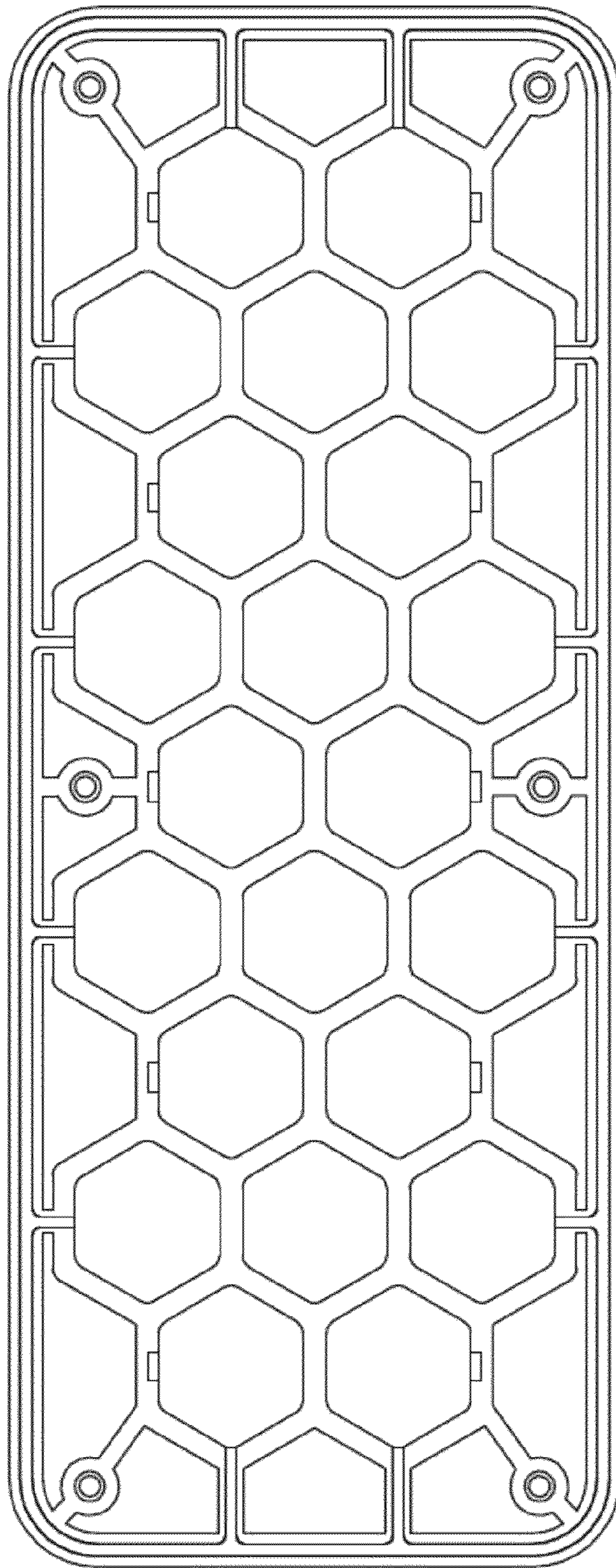


FIGURE 7