



US00D756936S

(12) **United States Design Patent**  
**Baldwin et al.**

(10) **Patent No.:** **US D756,936 S**  
(45) **Date of Patent:** **\*\* May 24, 2016**

(54) **CABLE RAIL SYSTEM**  
(71) Applicants: **Jeffrey Baldwin**, Desert Hills, AZ (US);  
**John Klein**, Gilbert, AZ (US); **Ryan Liebengood**, Gilbert, AZ (US)  
(72) Inventors: **Jeffrey Baldwin**, Desert Hills, AZ (US);  
**John Klein**, Gilbert, AZ (US); **Ryan Liebengood**, Gilbert, AZ (US)

(\*\*) Term: **14 Years**  
(21) Appl. No.: **29/488,417**

(22) Filed: **Apr. 18, 2014**  
(51) **LOC (10) Cl.** ..... **13-03**  
(52) **U.S. Cl.**  
USPC ..... **D13/155**  
(58) **Field of Classification Search**  
USPC ..... D13/155, 129, 131, 132, 133, 153, 154,  
D13/156, 157, 184, 199; D8/354, 356, 366,  
D8/380, 396; 138/106, 107, 112, 113, 116,  
138/117, 155–158, 166–169, 174; 174/5 R,  
174/38, 68.1, 68.2, 68.3, 101, 135, 136,  
174/481, 504  
CPC ..... H02G 3/08; H02G 3/0608; H02G 3/0418;  
H02G 3/0431; H02G 5/08; H01R 25/14;  
H01R 25/142; H01R 13/453  
See application file for complete search history.

(56) **References Cited**  
U.S. PATENT DOCUMENTS  
D486,130 S \* 2/2004 Thibault ..... D13/184  
D498,211 S 11/2004 Thibault  
D499,699 S \* 12/2004 Thibault ..... D13/155  
D503,968 S 4/2005 Ruddick

D503,969 S 4/2005 Ruddick  
D504,938 S 5/2005 Ruddick  
D539,752 S 4/2007 Ruddick  
D539,755 S \* 4/2007 Makwinski ..... D13/155  
D541,143 S 4/2007 Ruddick  
7,696,434 B2 4/2010 Ruddick  
7,741,568 B2 \* 6/2010 Makwinski ..... H02G 3/0431  
174/480  
D669,035 S 10/2012 Ruddick  
D671,502 S 11/2012 Ruddick  
D683,318 S 5/2013 Ruddick  
2005/0221646 A1 \* 10/2005 Evilsizer ..... H01R 25/14  
439/120  
2007/0218720 A1 \* 9/2007 Jong ..... H01R 13/453  
439/120

\* cited by examiner

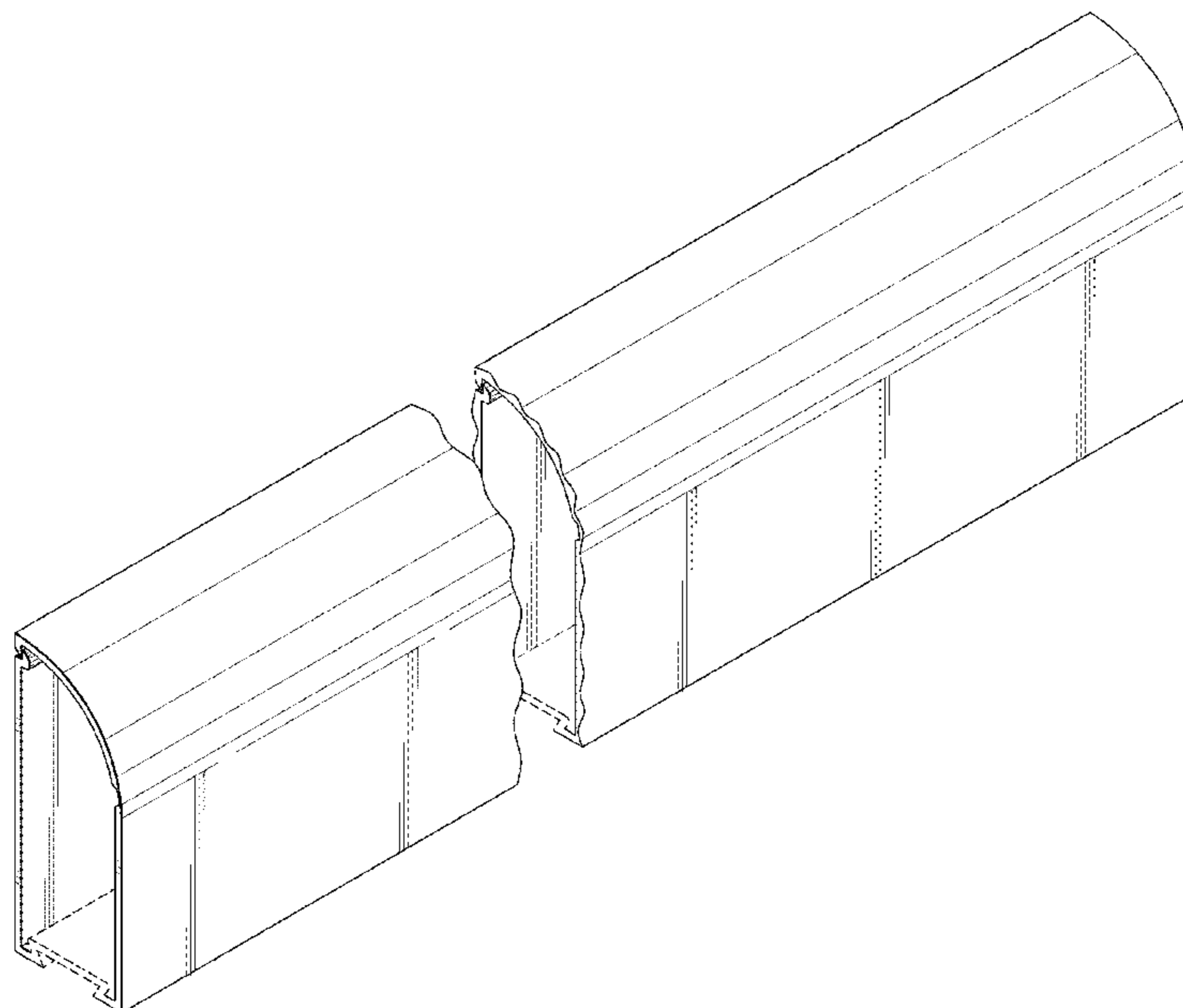
*Primary Examiner* — Derrick Holland

(57) **CLAIM**  
We claim the ornamental design for a cable rail system, as shown and described.

**DESCRIPTION**

FIG. 1 is a perspective view of a first aspect cable rail system showing our design;  
FIG. 2 is an endwise view thereof;  
FIG. 3 is a bottom plan view thereof;  
FIG. 4 is a top plan view thereof;  
FIG. 5 is a rear elevational view thereof; and,  
FIG. 6 is a front elevational view thereof.  
The broken lines shown represent unclaimed subject matter and form no part of the claimed design.  
The claim is shown with a symbolic break in its length. The appearance of any portion of the article between the break lines forms no part of the claimed design.

**1 Claim, 3 Drawing Sheets**



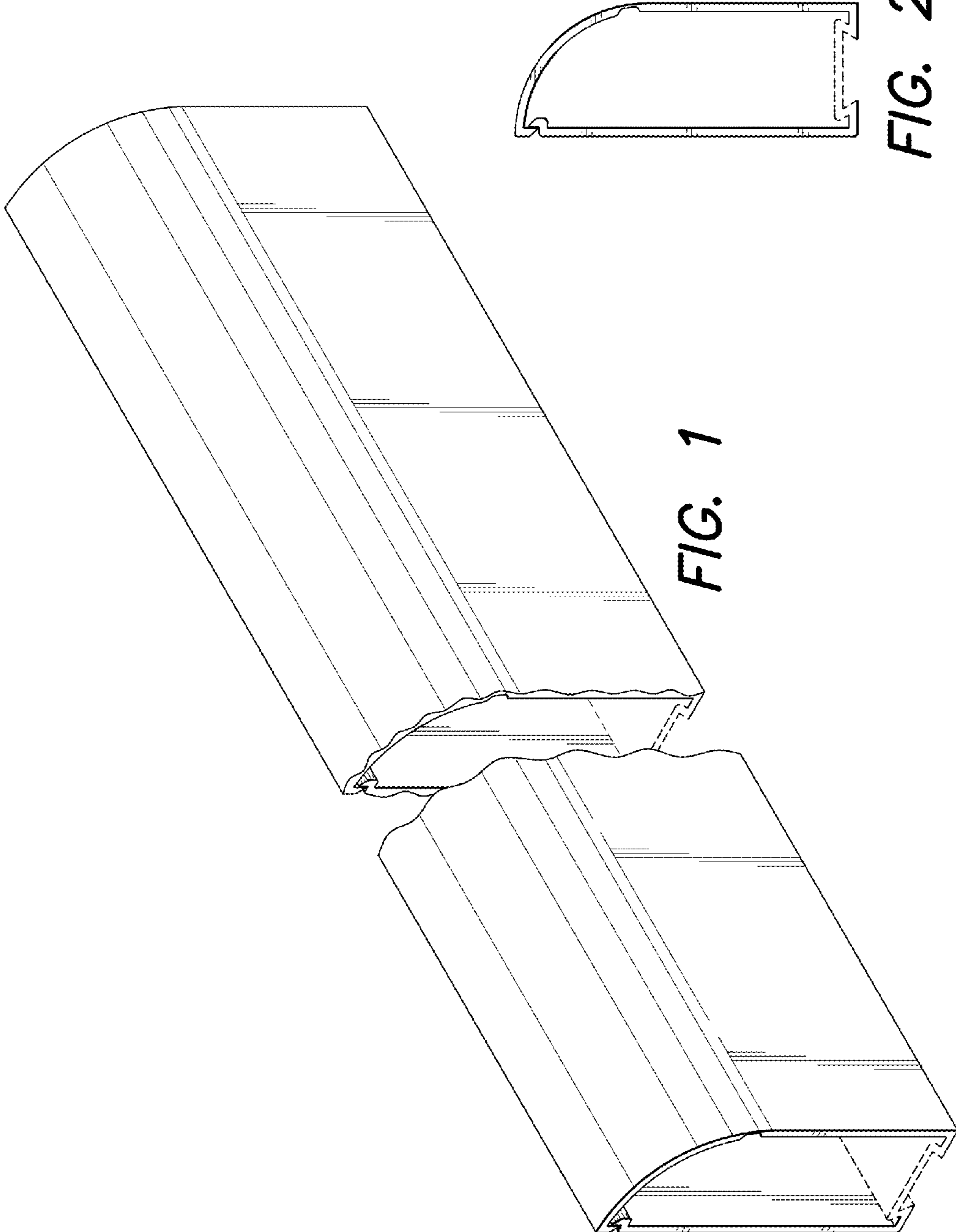
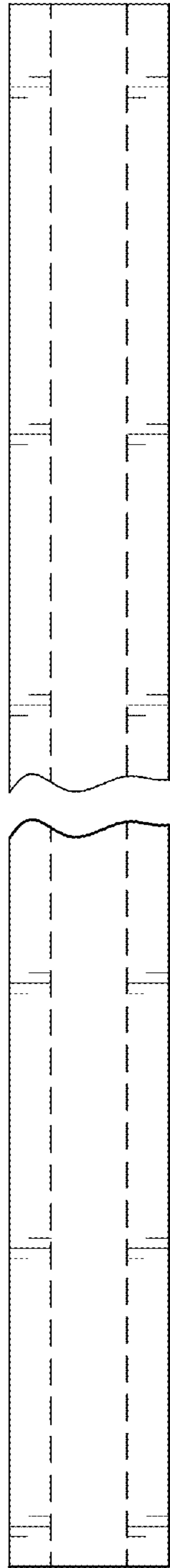
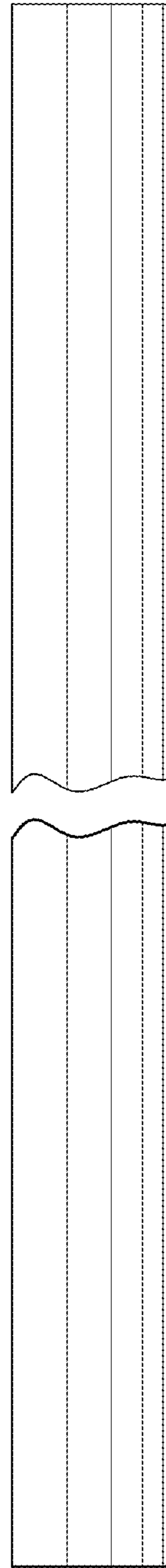


FIG. 1

FIG. 2



*FIG. 3*



*FIG. 4*

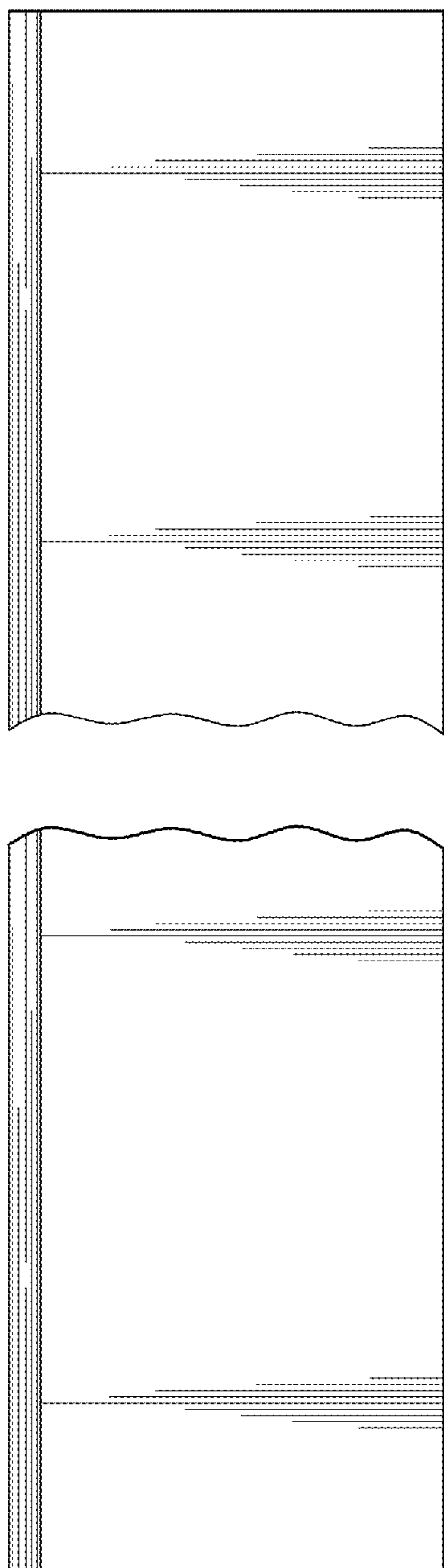


FIG. 5

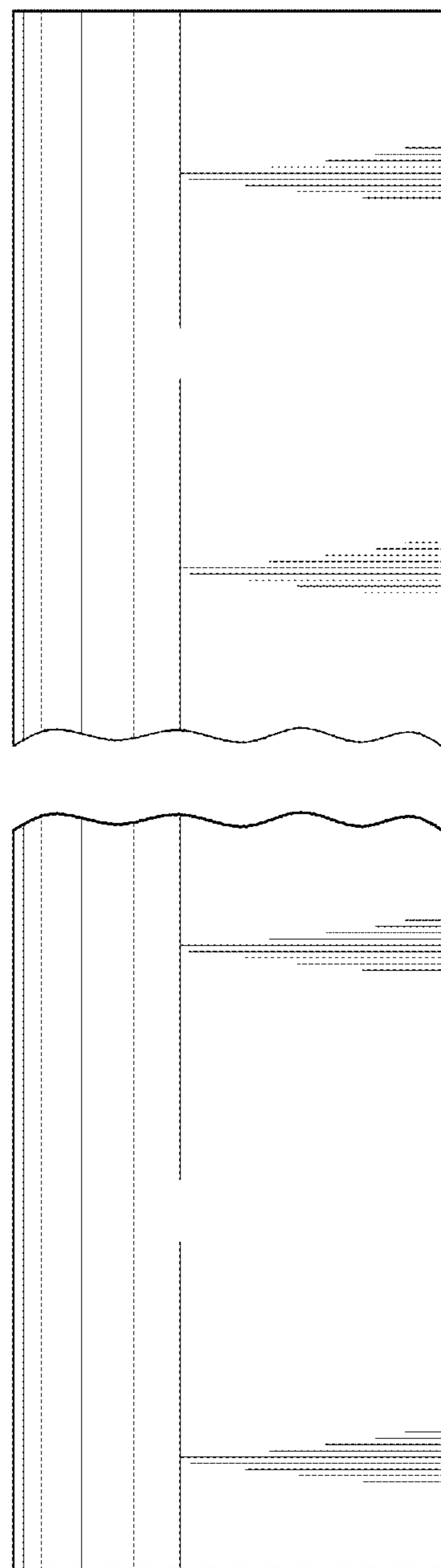


FIG. 6