



US00D756935S

(12) **United States Design Patent**
Hanson

(10) **Patent No.:** **US D756,935 S**
(45) **Date of Patent:** **** May 24, 2016**

- (54) **CABLE JUNCTION DEVICE**
- (71) Applicant: **PPC Broadband, Inc.**, East Syracuse, NY (US)
- (72) Inventor: **Brian K. Hanson**, East Syracuse, NY (US)
- (73) Assignee: **PPC BROADBAND, INC.**, East Syracuse, NY (US)
- (**) Term: **14 Years**
- (21) Appl. No.: **29/470,273**
- (22) Filed: **Oct. 18, 2013**
- (51) **LOC (10) Cl.** **13-03**
- (52) **U.S. Cl.**
USPC **D13/151**
- (58) **Field of Classification Search**
USPC D13/151, 133, 146, 147, 148, 150, 154, D13/158, 173, 184, 199; D14/125, 217, D14/239, 299; 174/50.52, 51, 59, 60, 61, 174/62, 63, 64, 528; 333/100, 101, 206; 439/55, 63, 578, 579, 580
CPC H02G 3/08; H02G 3/081; H02G 3/083; H02G 3/18; H02G 15/00; H02G 15/02; H02G 15/04; Y10S 248/906; H03H 7/38; H01P 3/08; H01R 24/54; H01R 24/547
See application file for complete search history.

- D452,682 S 1/2002 Inoue
- D452,850 S 1/2002 Inoue
- D464,965 S 10/2002 Wang et al.
- 6,969,278 B2 11/2005 Shapson
- 7,029,293 B2 4/2006 Shapson et al.
- D532,385 S 11/2006 Shapson
- D537,793 S 3/2007 Shapson
- D546,291 S 7/2007 Shapson

(Continued)

Primary Examiner — Derrick Holland
(74) *Attorney, Agent, or Firm* — MH2 Technology Law Group, LLP

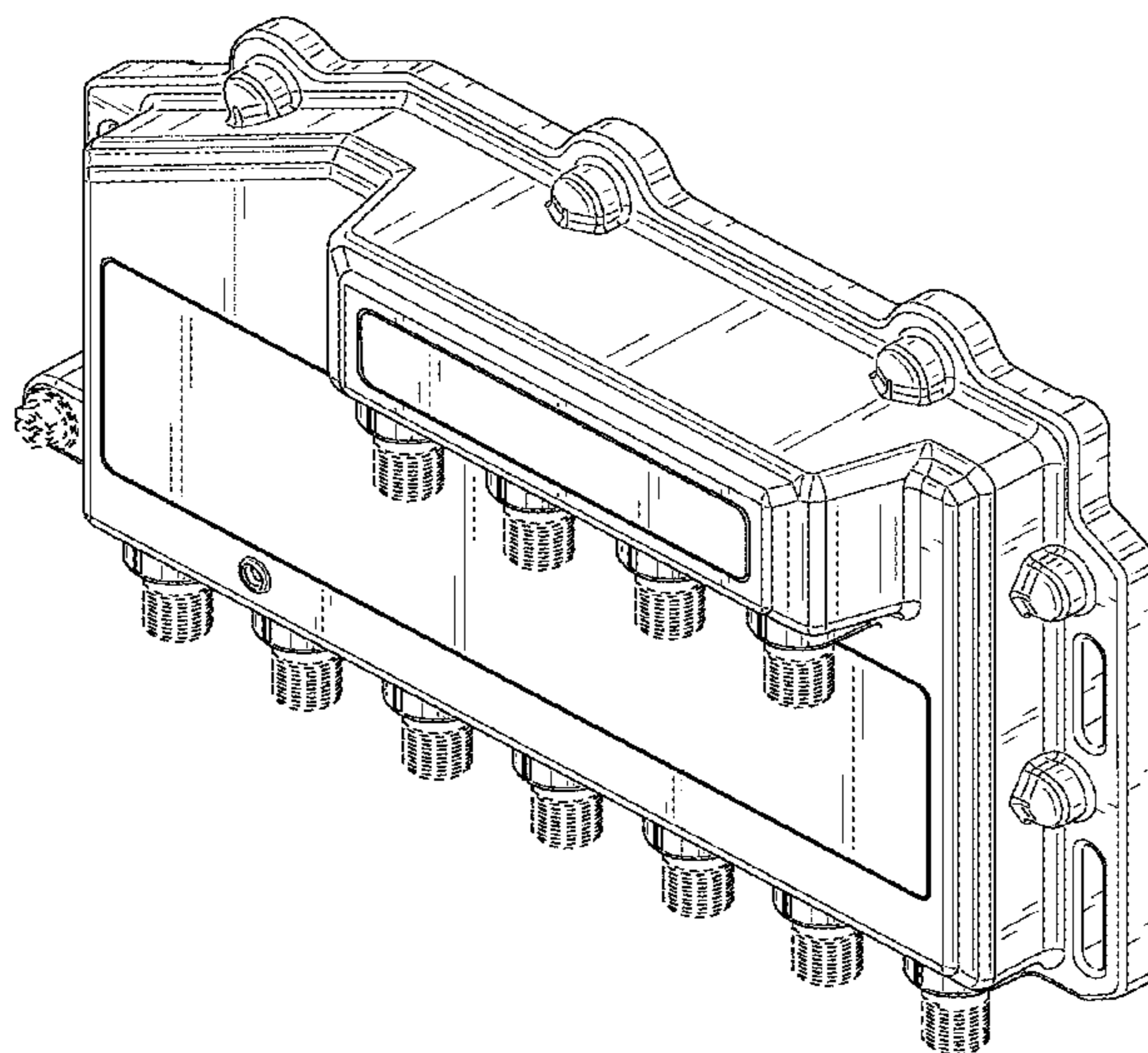
(57) **CLAIM**
The ornamental design for a cable junction device, as shown and described.

DESCRIPTION

A portion of the disclosure of this patent document contains or may contain material which is subject to copyright protection. The copyright owner has no objection to the photocopy reproduction by anyone of the patent document in exactly the form it appears in the Patent and Trademark Office patent file or records, but otherwise reserves all copyrights whatsoever. FIG. 1 is a front elevation view of a cable junction device. FIG. 2 is a rear elevation view of the cable junction device. FIG. 3 is a left side elevation view of the cable junction device. FIG. 4 is a right side elevation view of the cable junction device. FIG. 5 is a top view of the cable junction device. FIG. 6 is a bottom view of the cable junction device. FIG. 7 is a right front isometric view of the cable junction device; and, FIG. 8 is a left rear isometric view of the cable junction device. The broken lines shown represent unclaimed subject matter and form no part of the claimed design.

1 Claim, 8 Drawing Sheets

- (56) **References Cited**
U.S. PATENT DOCUMENTS
D236,481 S * 8/1975 Johnston D13/152
D301,241 S 5/1989 Chino
D301,242 S * 5/1989 Chino D13/146
D396,691 S 8/1998 Shen
D399,846 S 10/1998 Beggs
D404,713 S 1/1999 Hsiang



(56)

References Cited

U.S. PATENT DOCUMENTS

D546,292 S 7/2007 Shapson
D607,414 S 1/2010 Egan et al.
7,830,225 B2* 11/2010 Gale H01R 24/547
333/125

D639,251 S * 6/2011 Nurmi D13/155
D673,914 S * 1/2013 Witkowski D13/151
D673,916 S * 1/2013 Regnier D13/151
2007/0040948 A1 2/2007 Shapson
2009/0077608 A1 3/2009 Romerein et al.

* cited by examiner

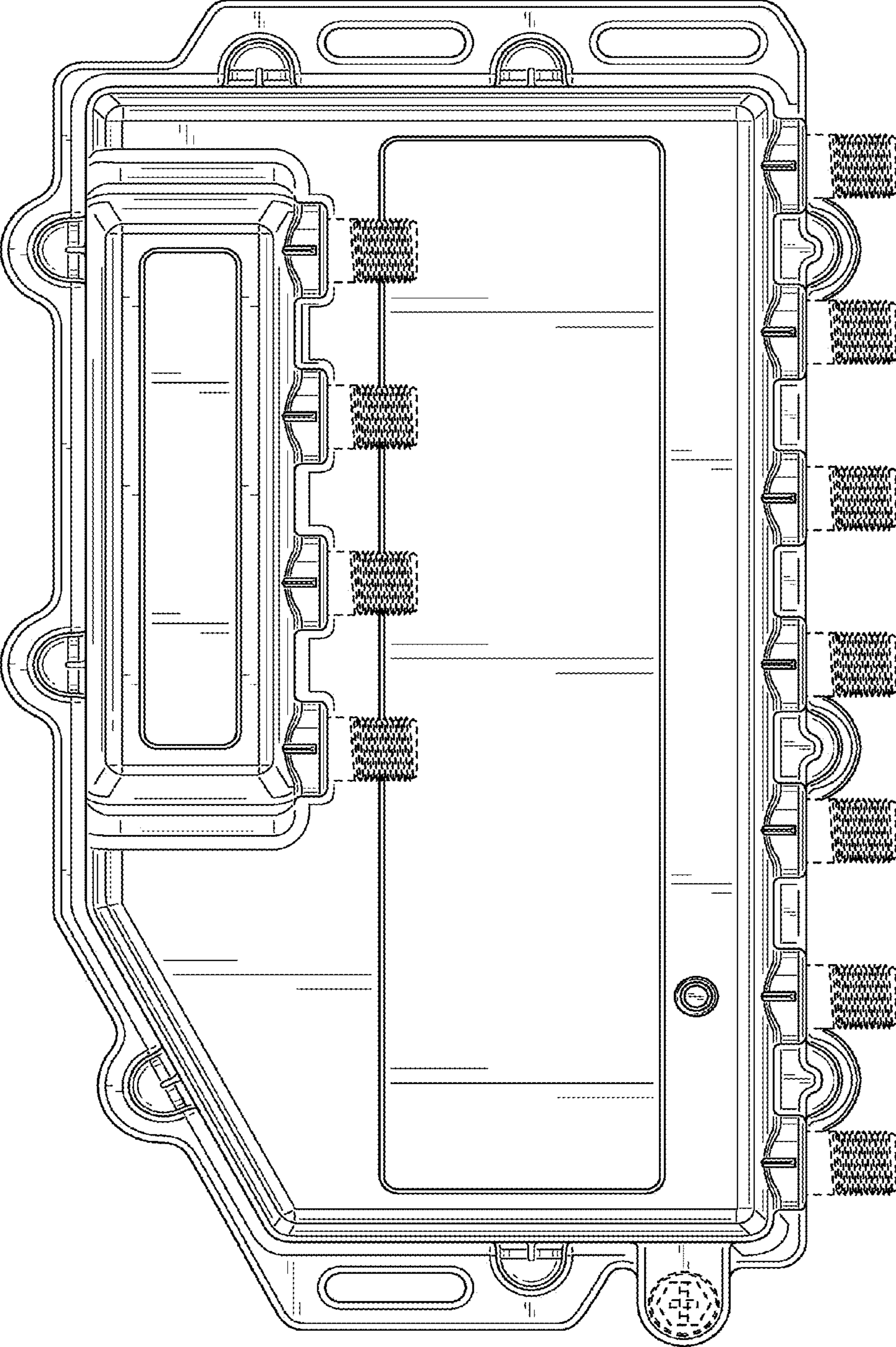
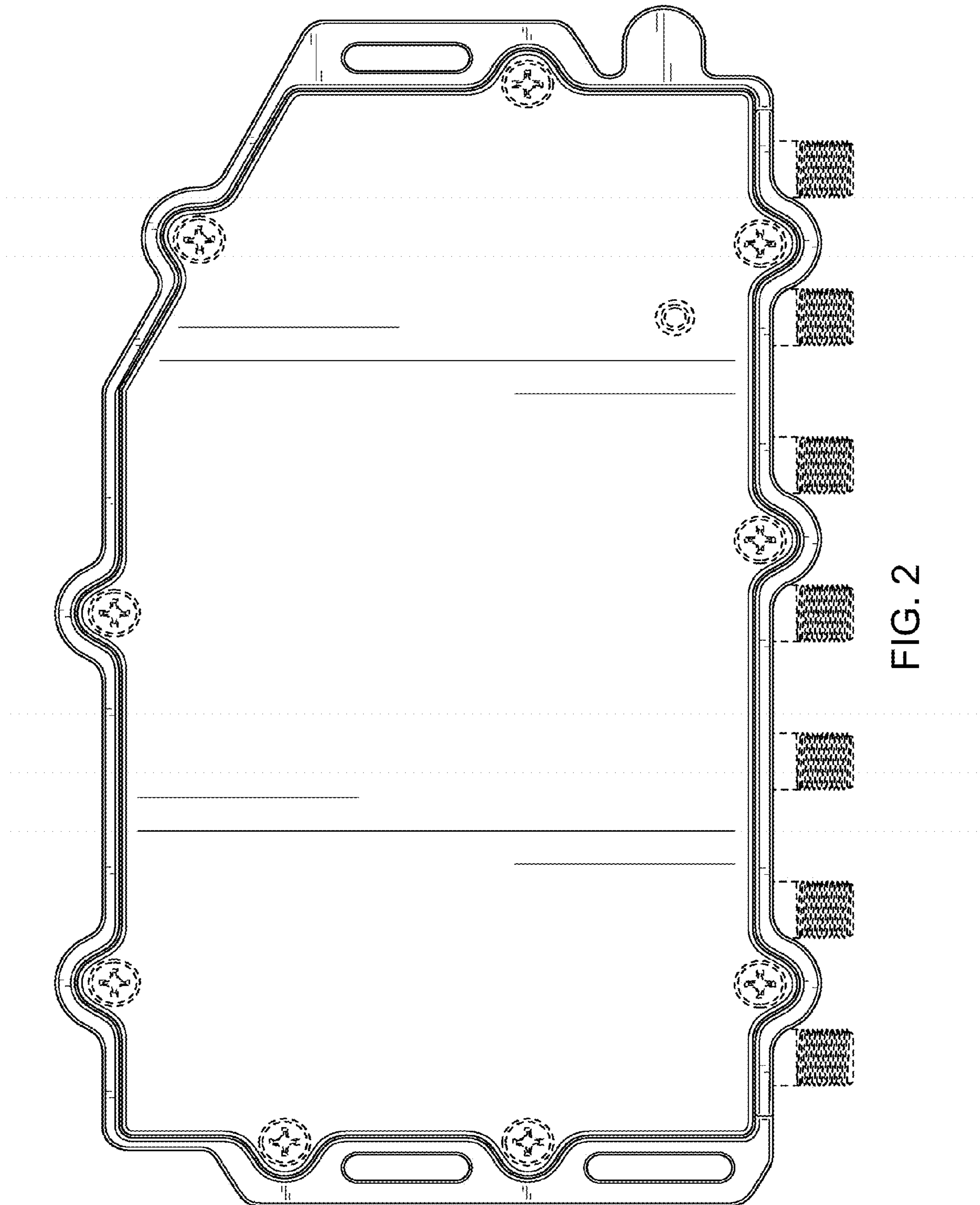


FIG. 1



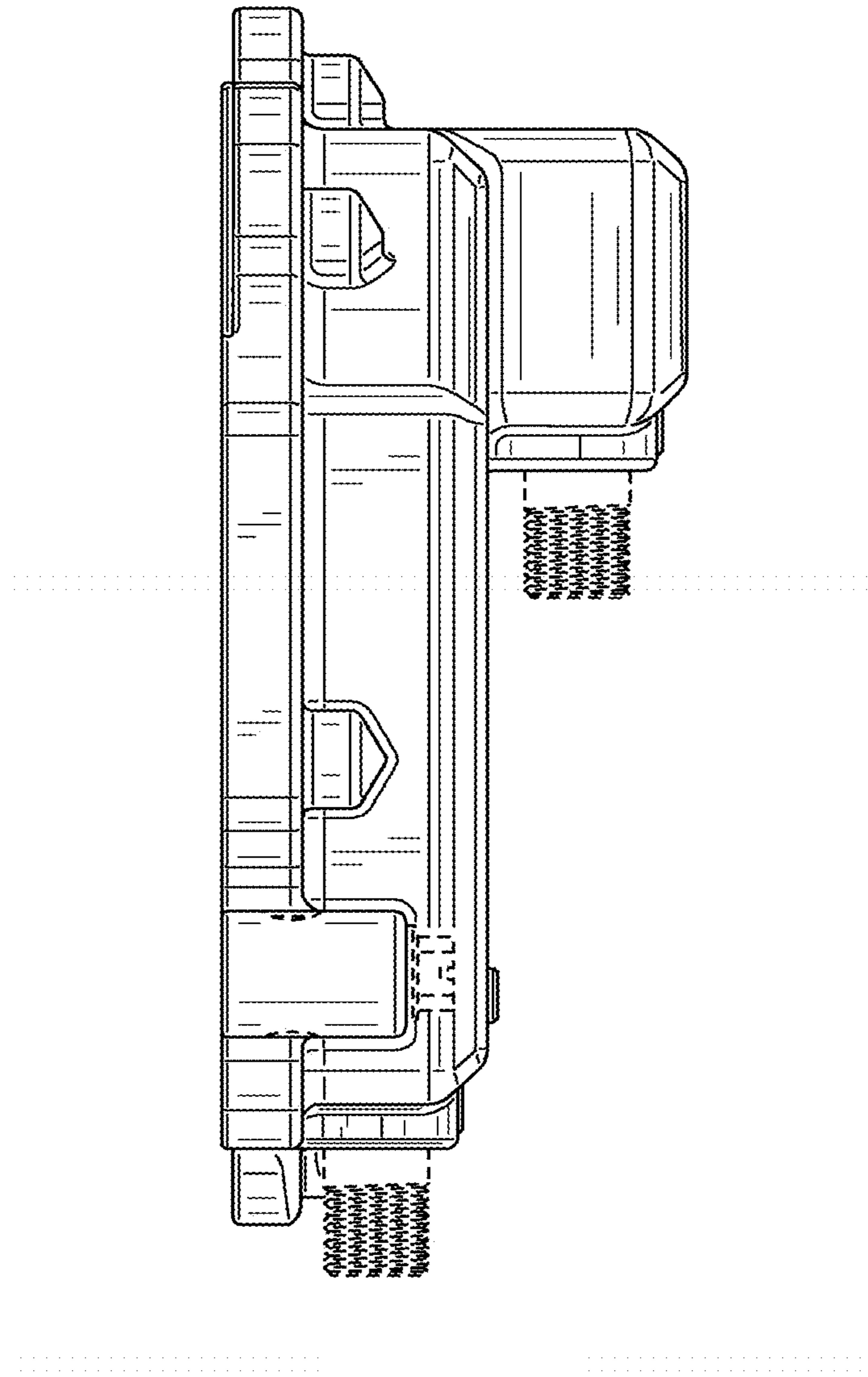


FIG. 3

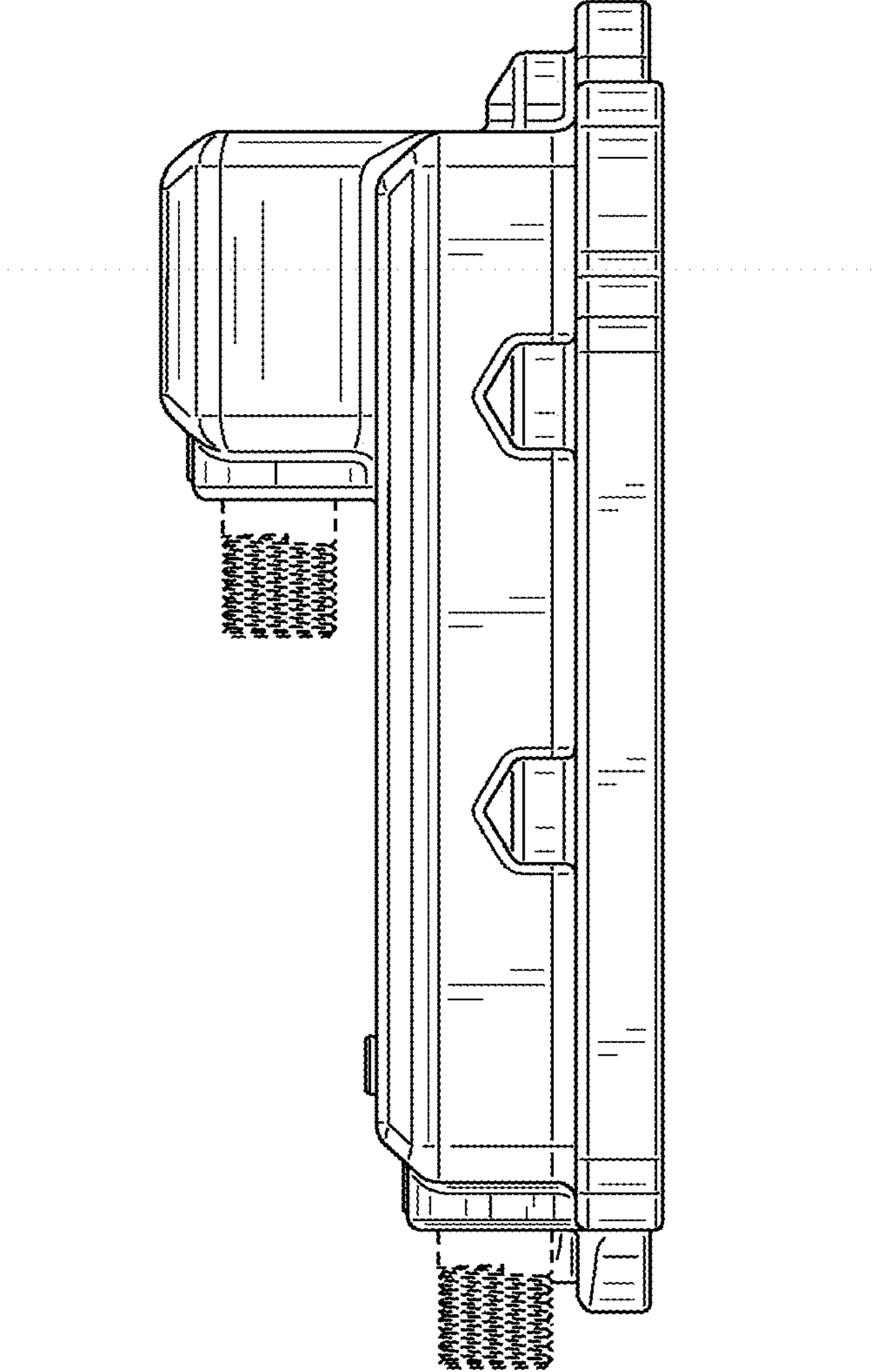


FIG. 4

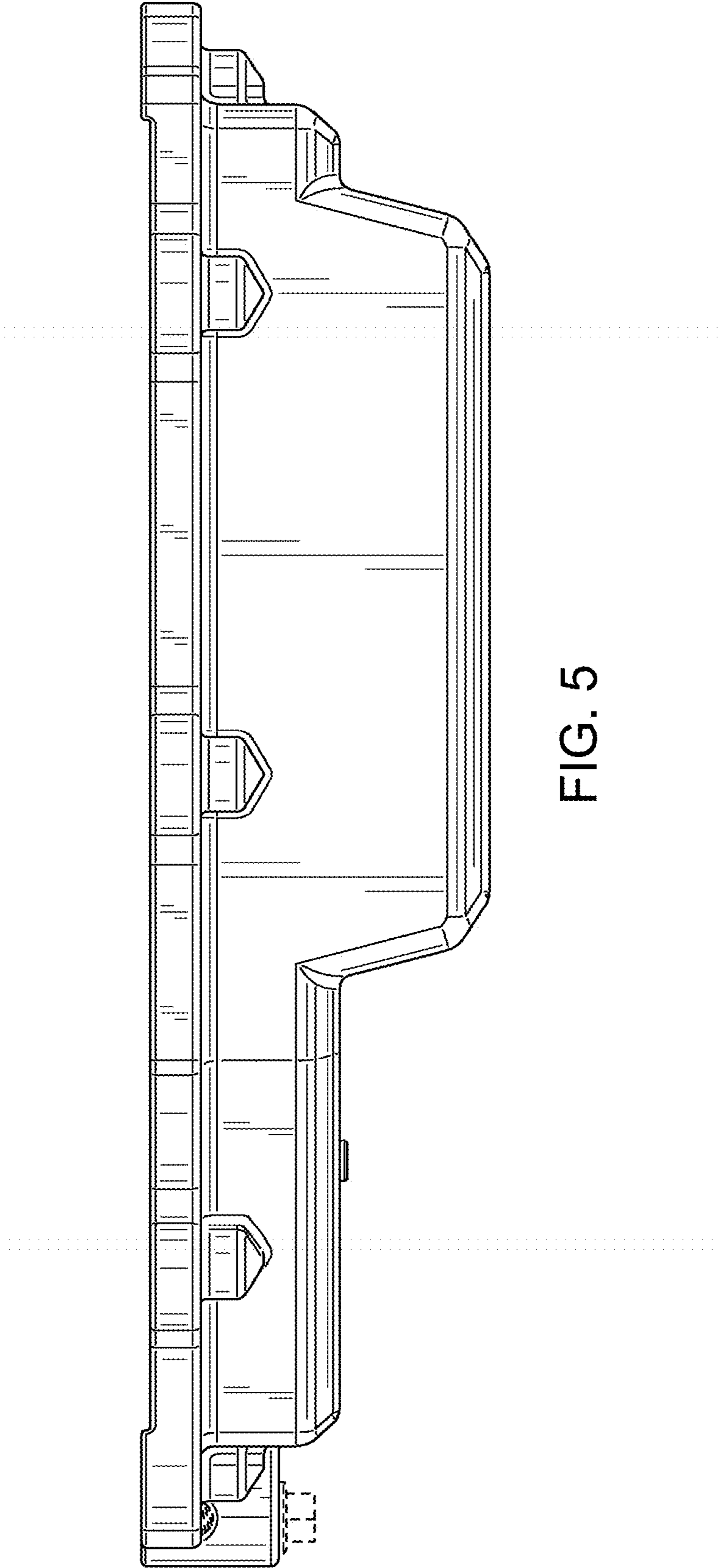


FIG. 5

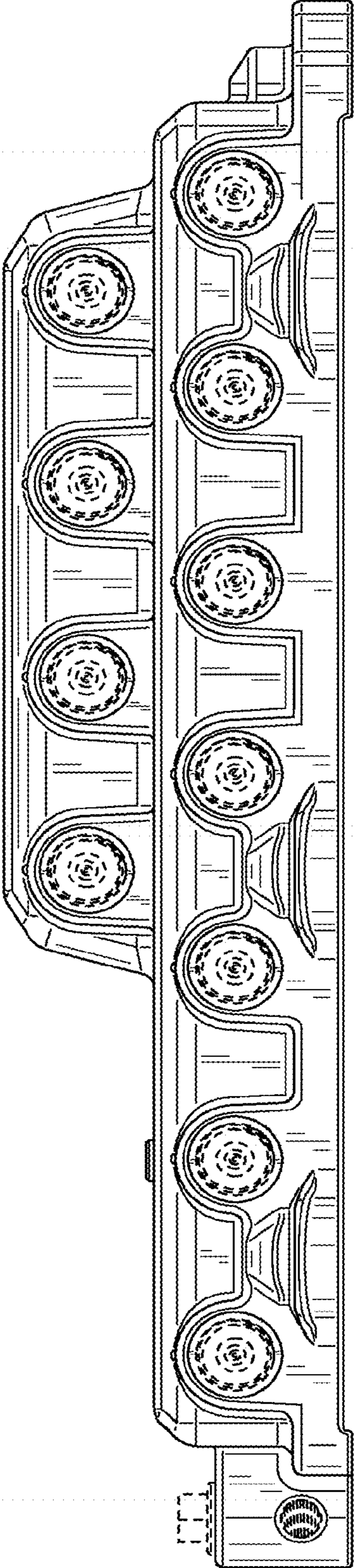


FIG. 6

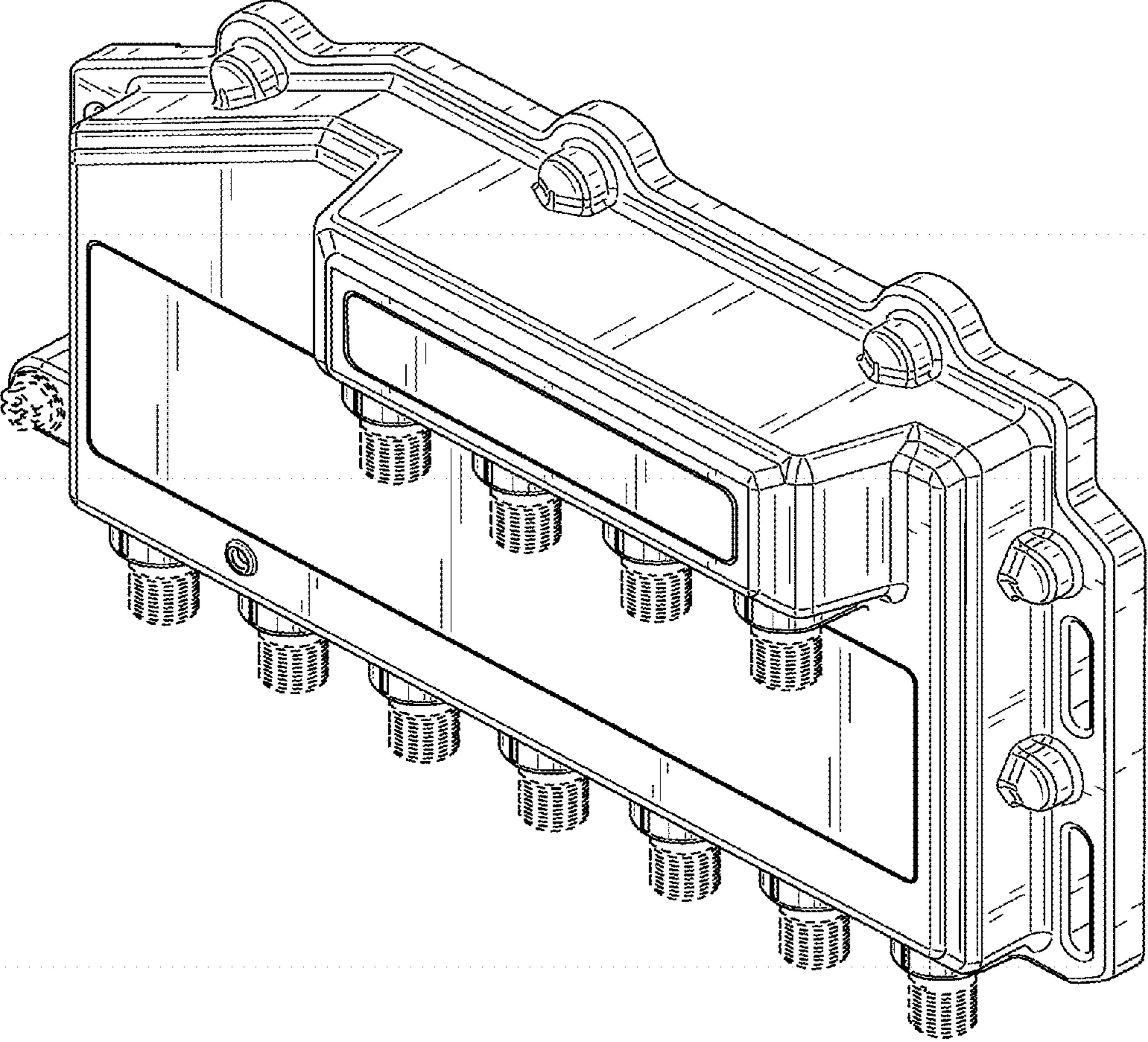


FIG. 7

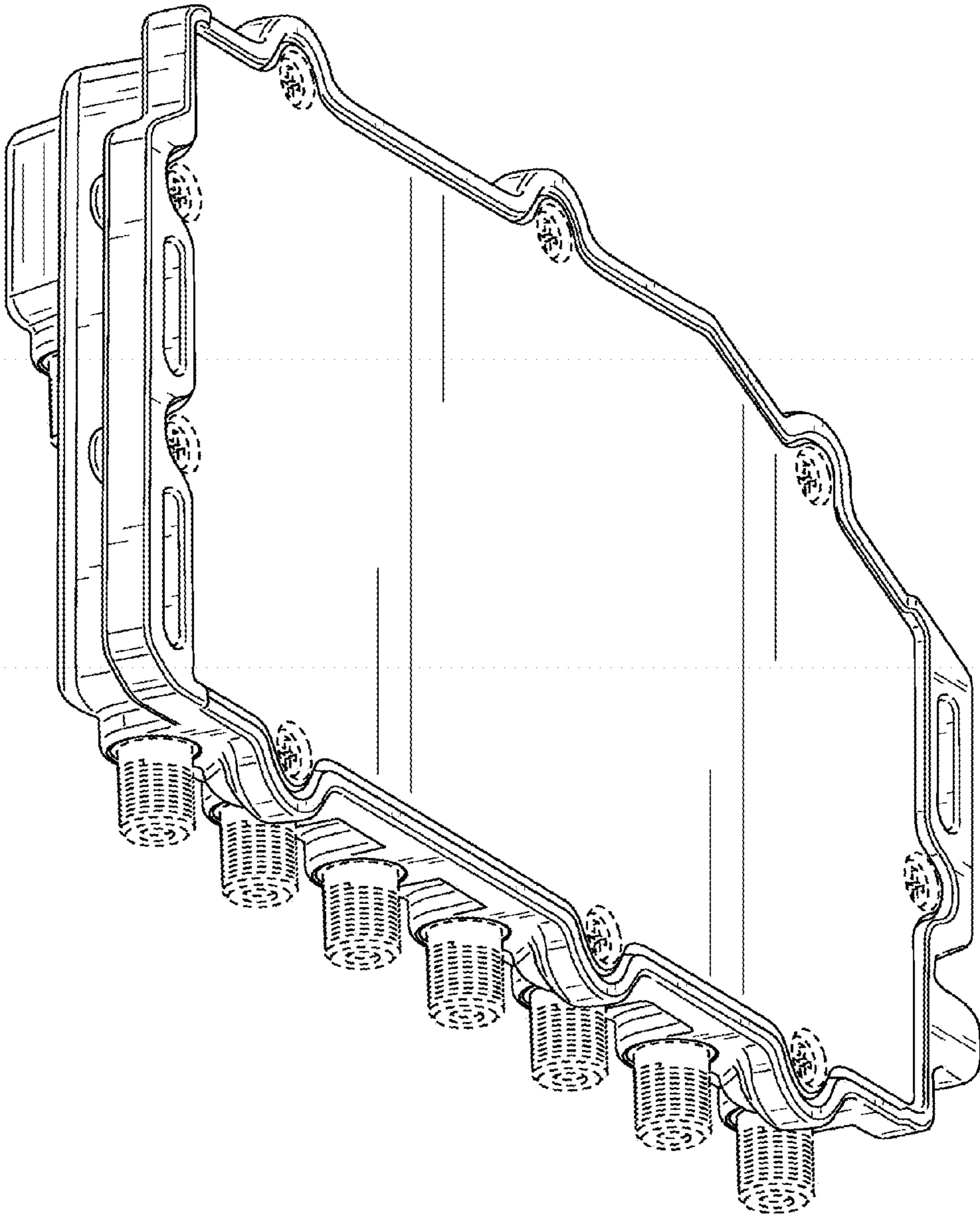


FIG. 8