



US00D756934S

(12) **United States Design Patent**  
**Chen et al.**

(10) **Patent No.:** **US D756,934 S**  
(45) **Date of Patent:** **\*\* May 24, 2016**

(54) **CONDUCTING TERMINAL**

(71) Applicant: **TARNG YU ENTERPRISE CO., LTD.**, New Taipei (TW)  
(72) Inventors: **Tsung-Chi Chen**, New Taipei (TW);  
**Mu-Jung Huang**, New Taipei (TW)  
(73) Assignee: **TARNG YU ENTERPRISE CO., LTD.**, New Taipei (TW)

(\*\*) Term: **14 Years**

(21) Appl. No.: **29/519,209**

(22) Filed: **Mar. 3, 2015**

(30) **Foreign Application Priority Data**

Sep. 16, 2014 (TW) ..... 103305444

(51) **LOC (10) Cl.** ..... **13-03**

(52) **U.S. Cl.**  
USPC ..... **D13/149; D13/118**

(58) **Field of Classification Search**  
USPC ..... D13/101, 102, 110, 117, 118, 120, 129,  
D13/133, 146, 147, 149, 153, 154, 199;  
D14/432, 433; 439/284, 291, 293, 295,  
439/744, 748, 856, 857, 858, 862  
CPC .. H01R 13/11; H01R 13/113; H01R 13/2442;  
H01R 25/00; H01R 4/10; H01R 4/20; H01R  
4/24; H01R 4/48

See application file for complete search history.

(56) **References Cited**

U.S. PATENT DOCUMENTS

3,363,224 A \* 1/1968 Gluntz ..... H01R 13/11  
439/852  
4,932,891 A \* 6/1990 Spanke ..... H01R 13/113  
439/395  
D555,095 S \* 11/2007 Ho ..... D13/133  
7,628,630 B2 \* 12/2009 Chang ..... H01R 13/426  
439/295  
D634,273 S \* 3/2011 Damon ..... D13/120  
D648,280 S \* 11/2011 Zhang ..... D13/149  
8,357,017 B2 \* 1/2013 Xu ..... H01R 13/2442  
439/862

\* cited by examiner

*Primary Examiner* — Derrick Holland  
(74) *Attorney, Agent, or Firm* — Muncy, Geissler, Olds & Lowe, P.C.

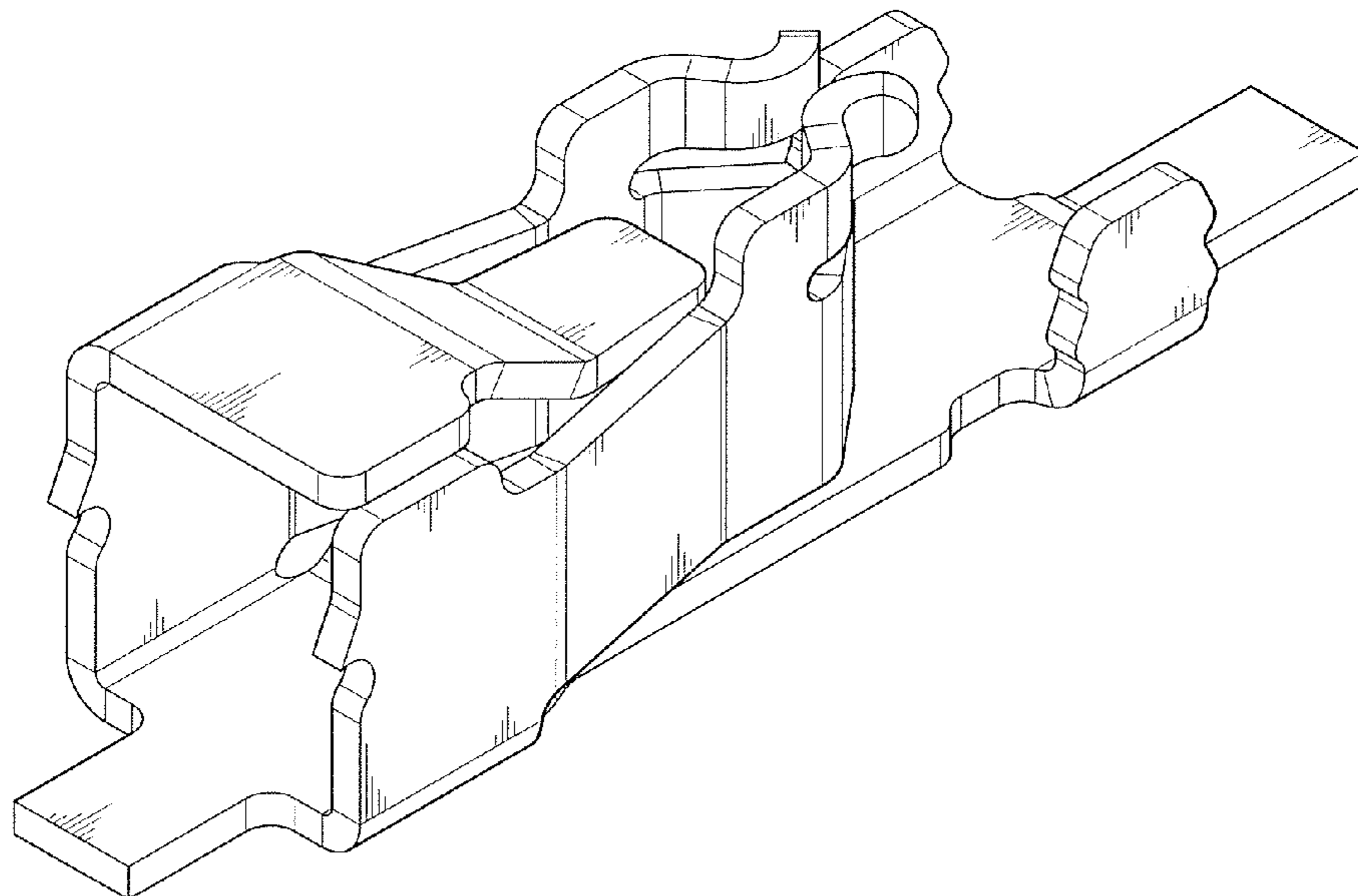
(57) **CLAIM**

The ornamental design for a conducting terminal, as shown and described.

**DESCRIPTION**

FIG. 1 is a perspective view of a conducting terminal showing our new design;  
FIG. 2 is a front view thereof;  
FIG. 3 is a rear view thereof;  
FIG. 4 is a left side view thereof;  
FIG. 5 is a right side view thereof;  
FIG. 6 is a top view thereof; and,  
FIG. 7 is a bottom view thereof.

**1 Claim, 7 Drawing Sheets**



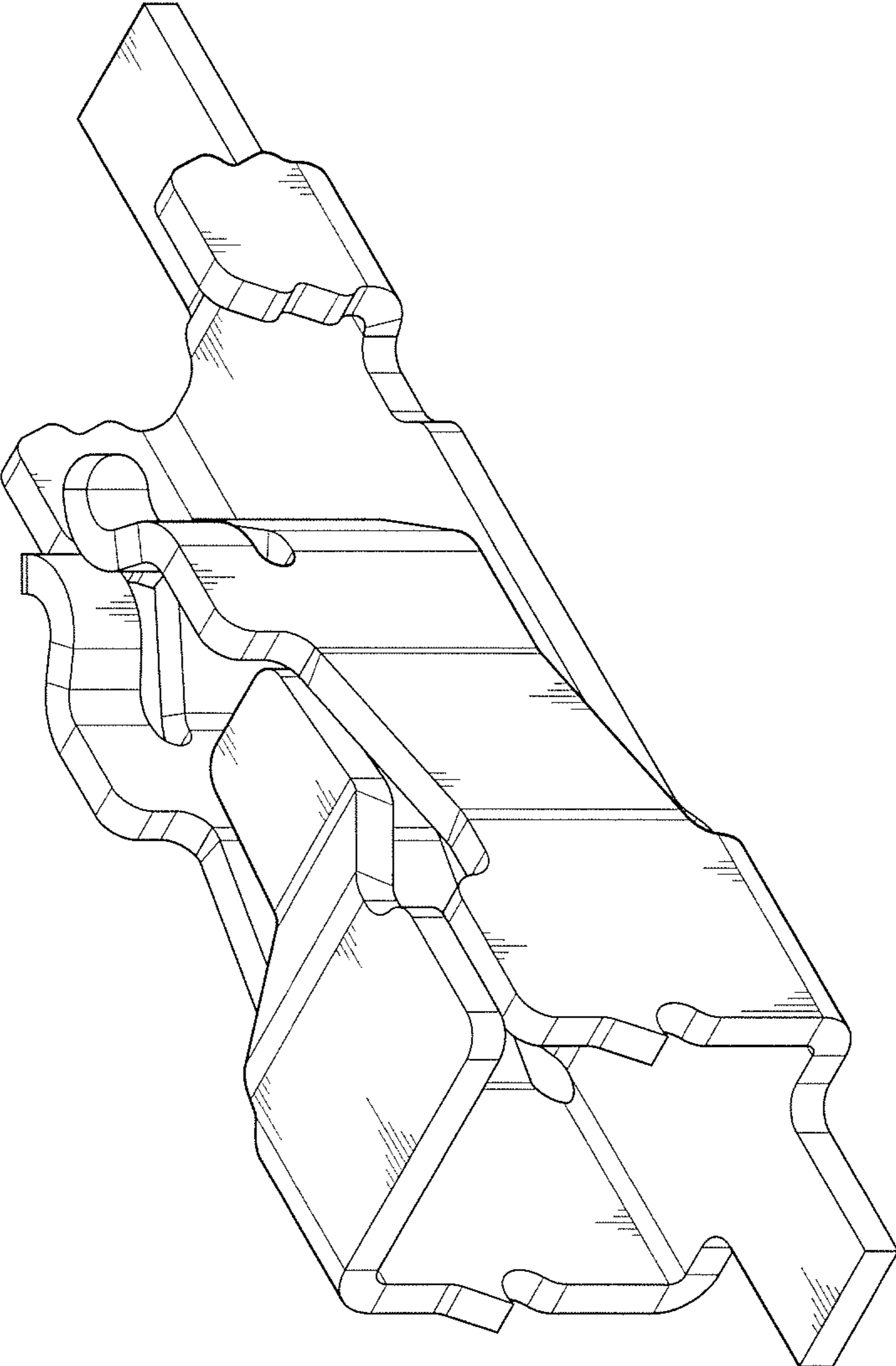


FIG. 1

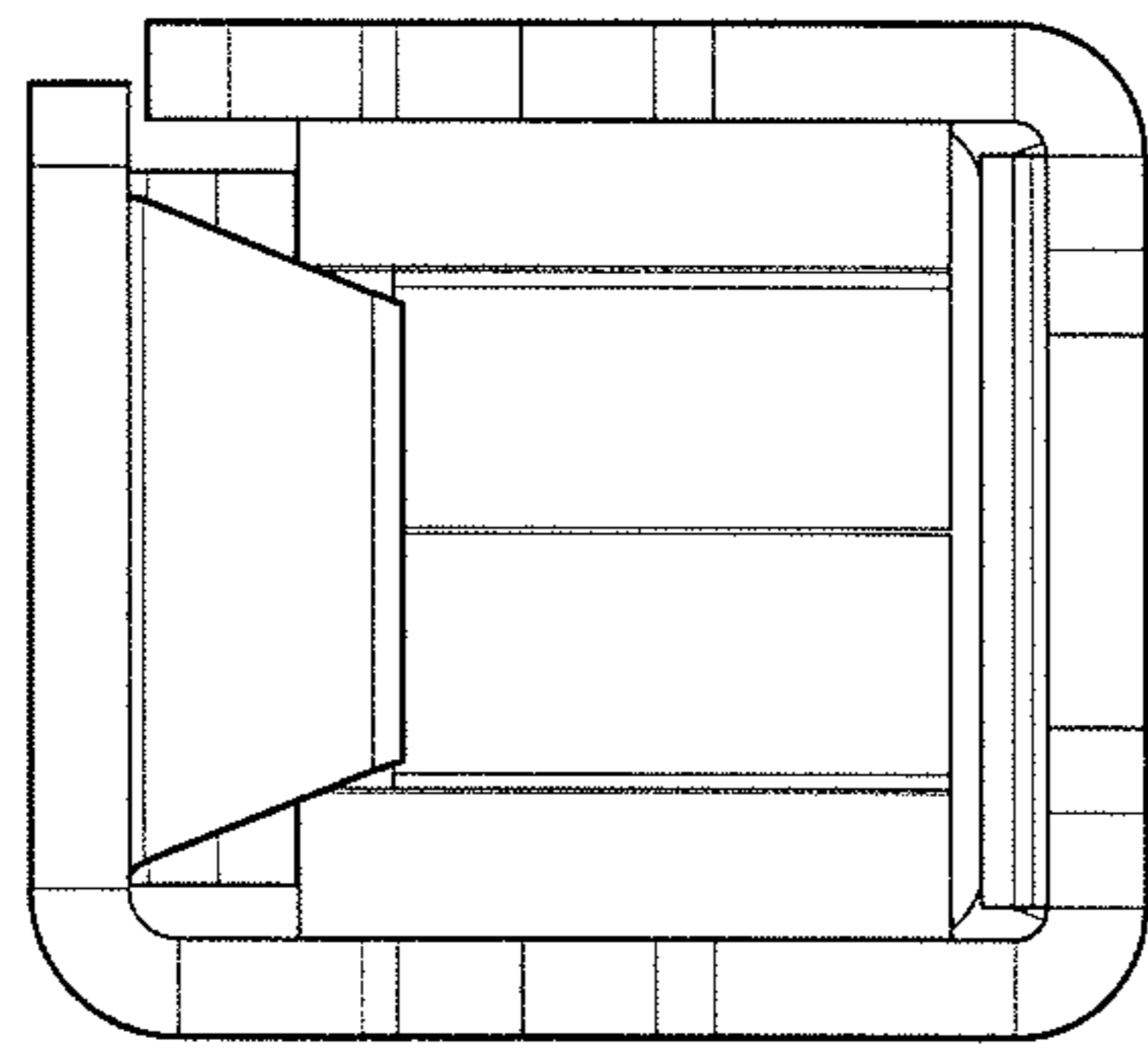
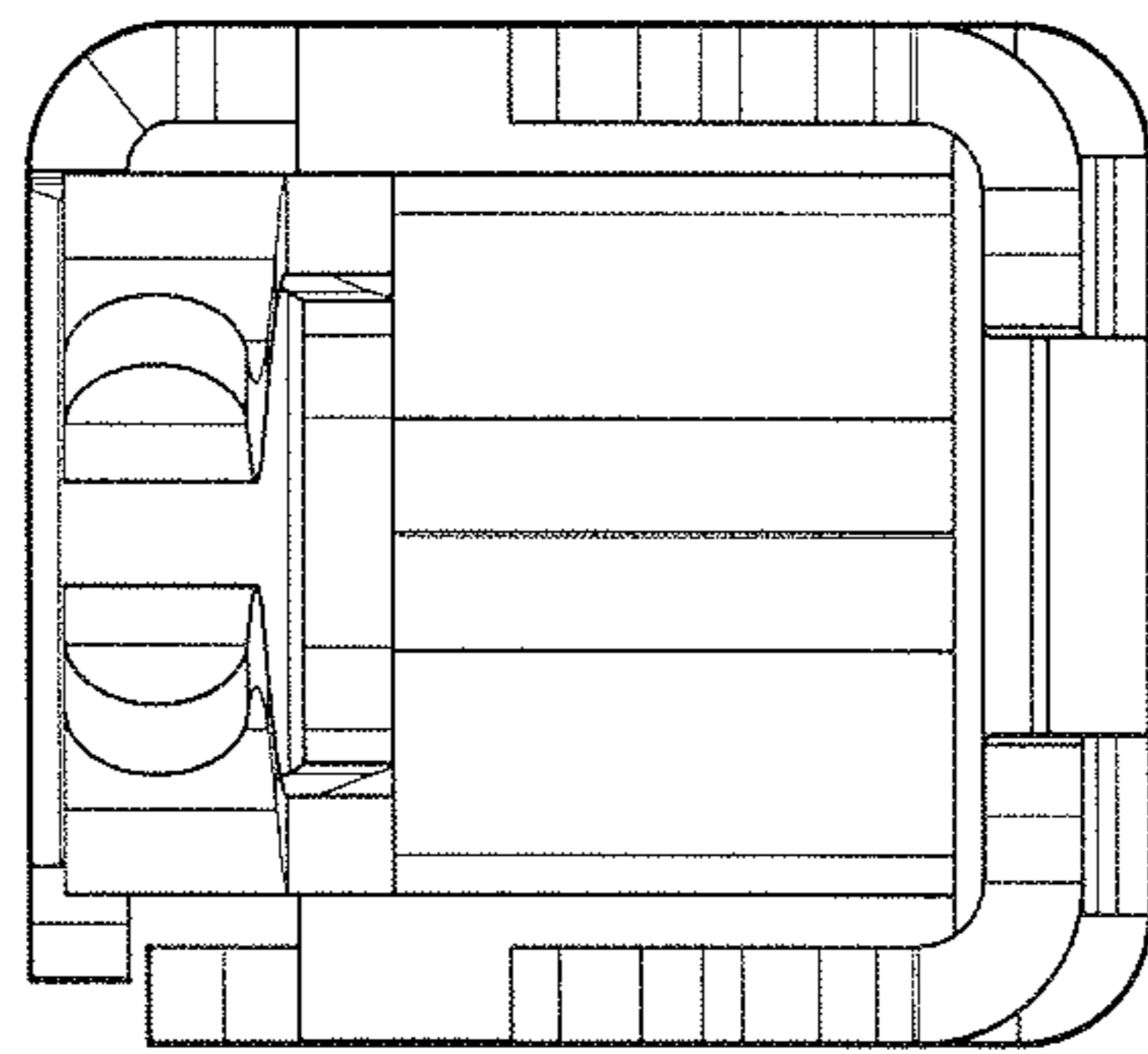


FIG. 2



*FIG. 3*

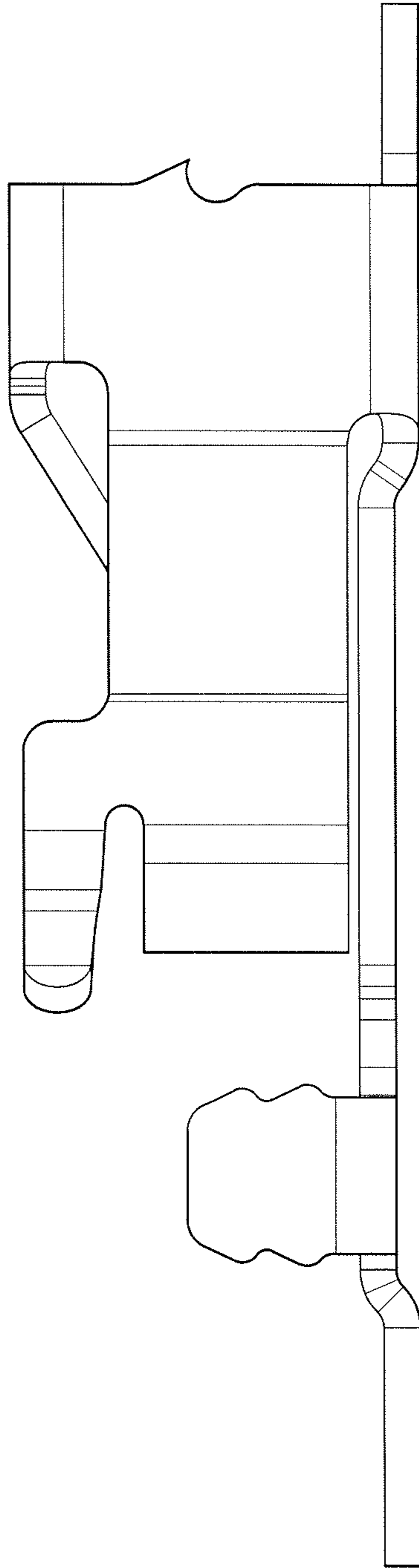


FIG. 4

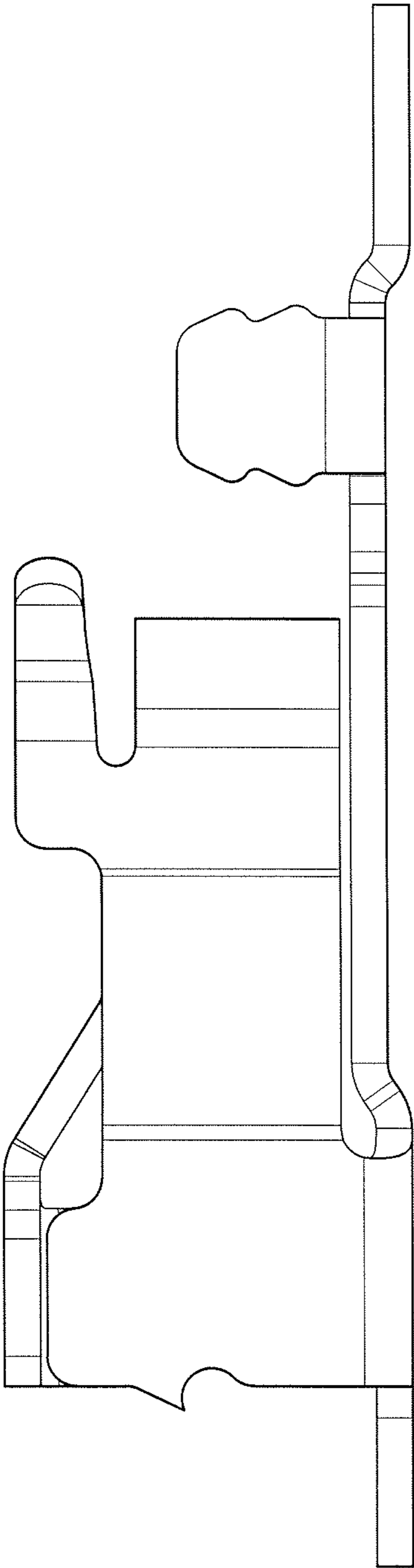
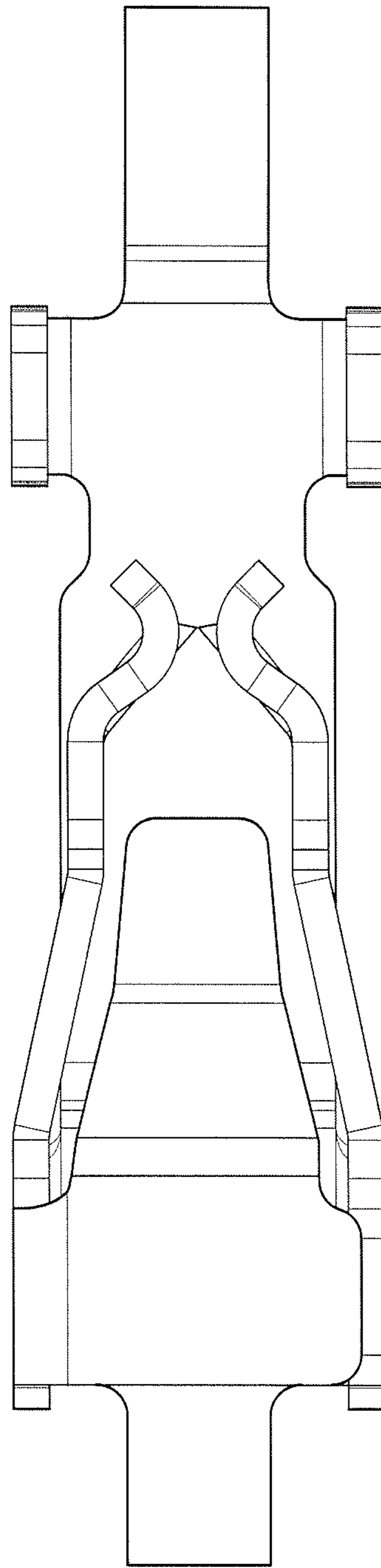
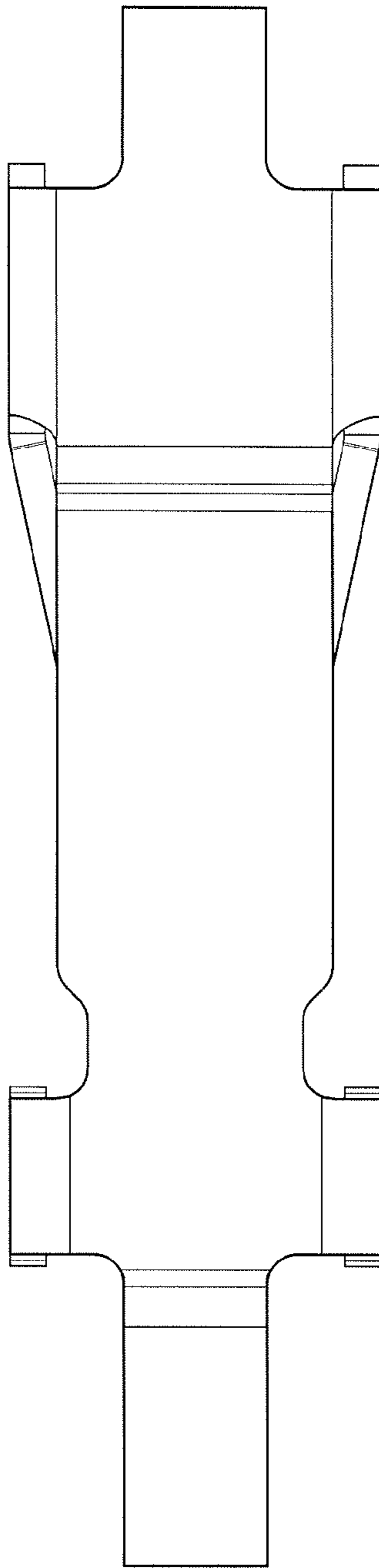


FIG. 5



*FIG. 6*



*FIG. 7*