



US00D756932S

(12) **United States Design Patent**  
**Asano**

(10) **Patent No.:** **US D756,932 S**  
(45) **Date of Patent:** **\*\* May 24, 2016**

(54) **ELECTRICAL CONNECTOR**

(71) Applicant: **HOSIDEN CORPORATION**, Yao-shi,  
Osaka (JP)

(72) Inventor: **Takao Asano**, Yao (JP)

(73) Assignee: **HOSIDEN CORPORATION**, Yao-Shi  
(JP)

(\*\*) Term: **14 Years**

(21) Appl. No.: **29/522,816**

(22) Filed: **Apr. 2, 2015**

(30) **Foreign Application Priority Data**

Oct. 29, 2014 (JP) ..... 2014-024098

(51) **LOC (10) Cl.** ..... **13-03**

(52) **U.S. Cl.**  
USPC ..... **D13/147**

(58) **Field of Classification Search**  
USPC ..... D13/146, 147, 154, 184, 199  
CPC ..... H01R 9/00; H01R 12/00; H01R 13/00;  
H01R 24/00; H01R 25/00; H01R 33/00

See application file for complete search history.

(56) **References Cited**

U.S. PATENT DOCUMENTS

D687,780 S *	8/2013	Shimizu .....	D13/147
D701,491 S *	3/2014	Miyoshi .....	D13/147
D747,687 S *	1/2016	Endo .....	D13/146
D748,584 S *	2/2016	Endo .....	D13/147
D748,586 S *	2/2016	Endo .....	D13/147

\* cited by examiner

*Primary Examiner* — Daniel Bui

(74) *Attorney, Agent, or Firm* — Rankin, Hill & Clark LLP

(57) **CLAIM**

The ornamental design for an electrical connector, as shown and described.

**DESCRIPTION**

FIG. 1 is a front, right side and top perspective view of an electrical connector showing my new design;  
FIG. 2 is a front, right side and bottom perspective view thereof;  
FIG. 3 is a front elevation view thereof;  
FIG. 4 is a rear elevation view thereof;  
FIG. 5 is a left side view thereof, a right side view being a mirror image thereof;  
FIG. 6 is a top plan view thereof; and,  
FIG. 7 is a bottom plan view thereof.

**1 Claim, 4 Drawing Sheets**

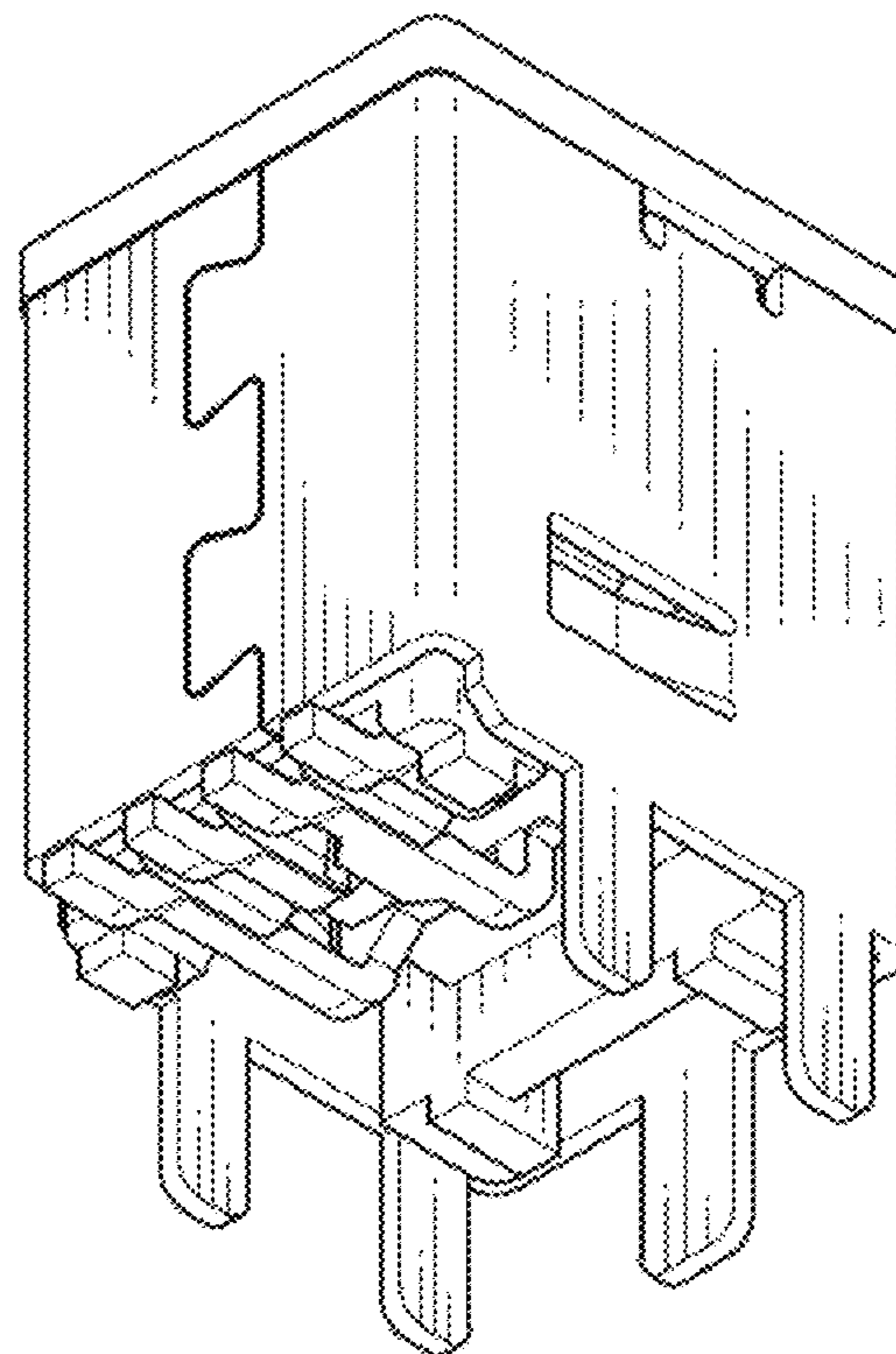
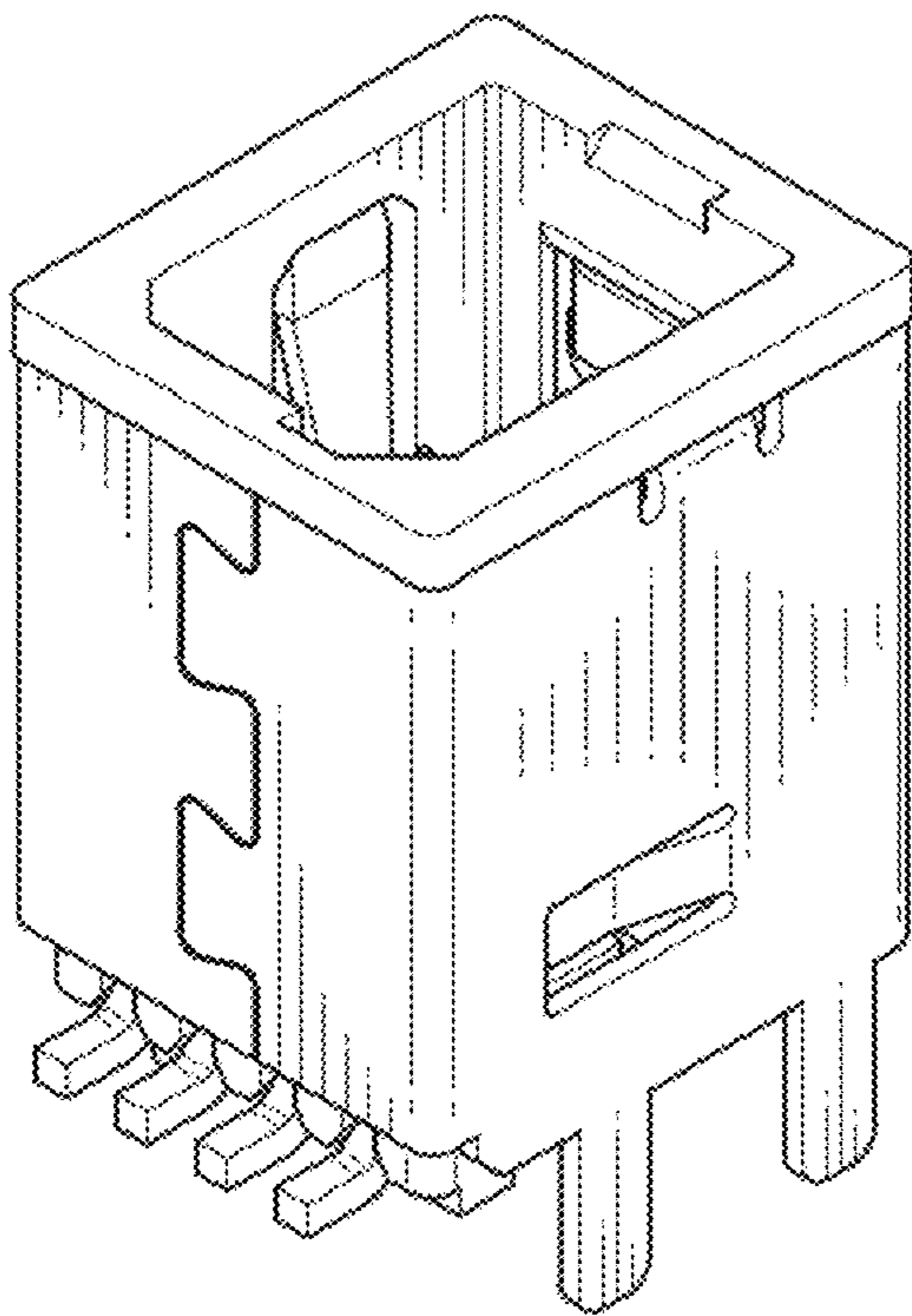


Fig. 1

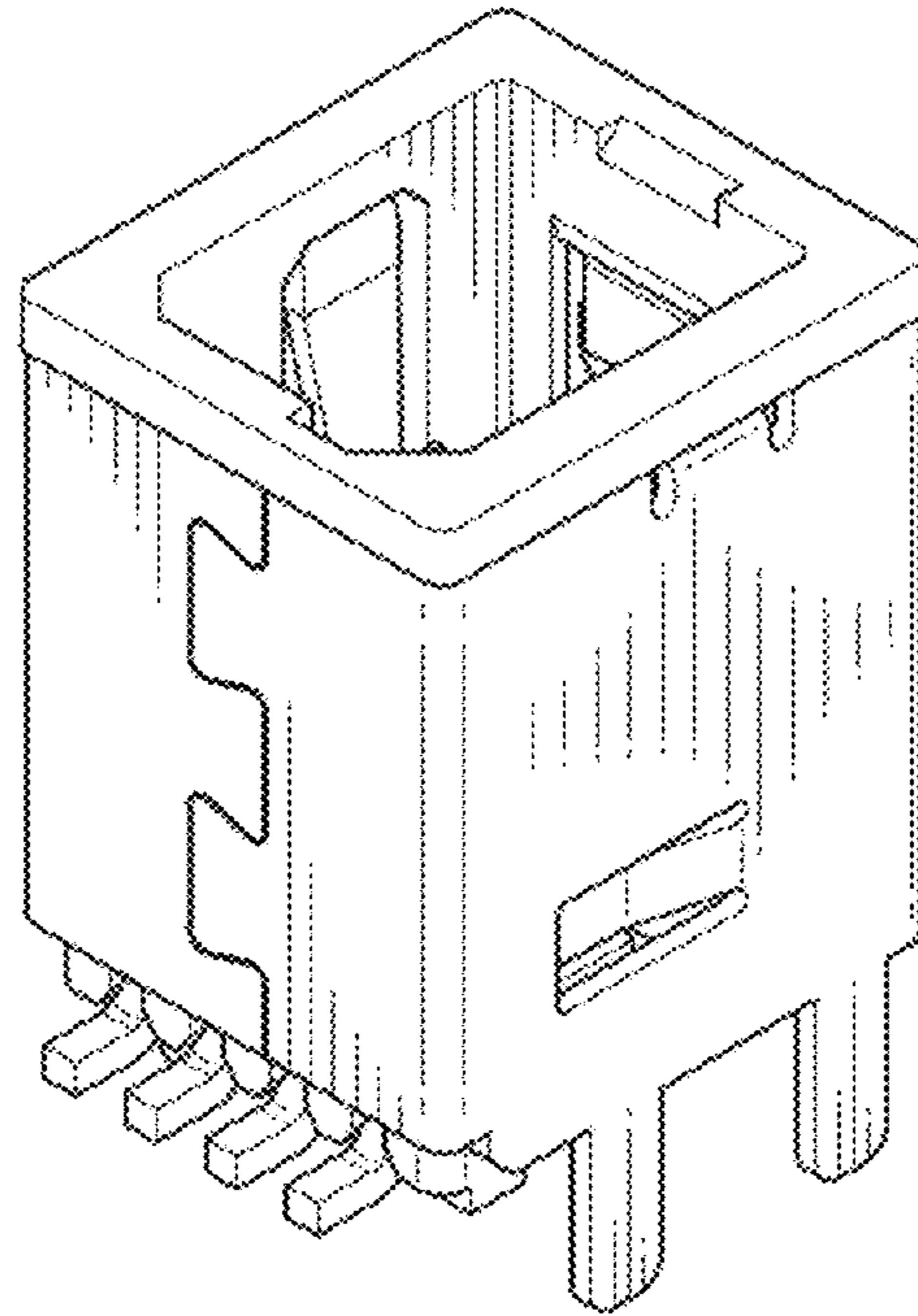


Fig. 2

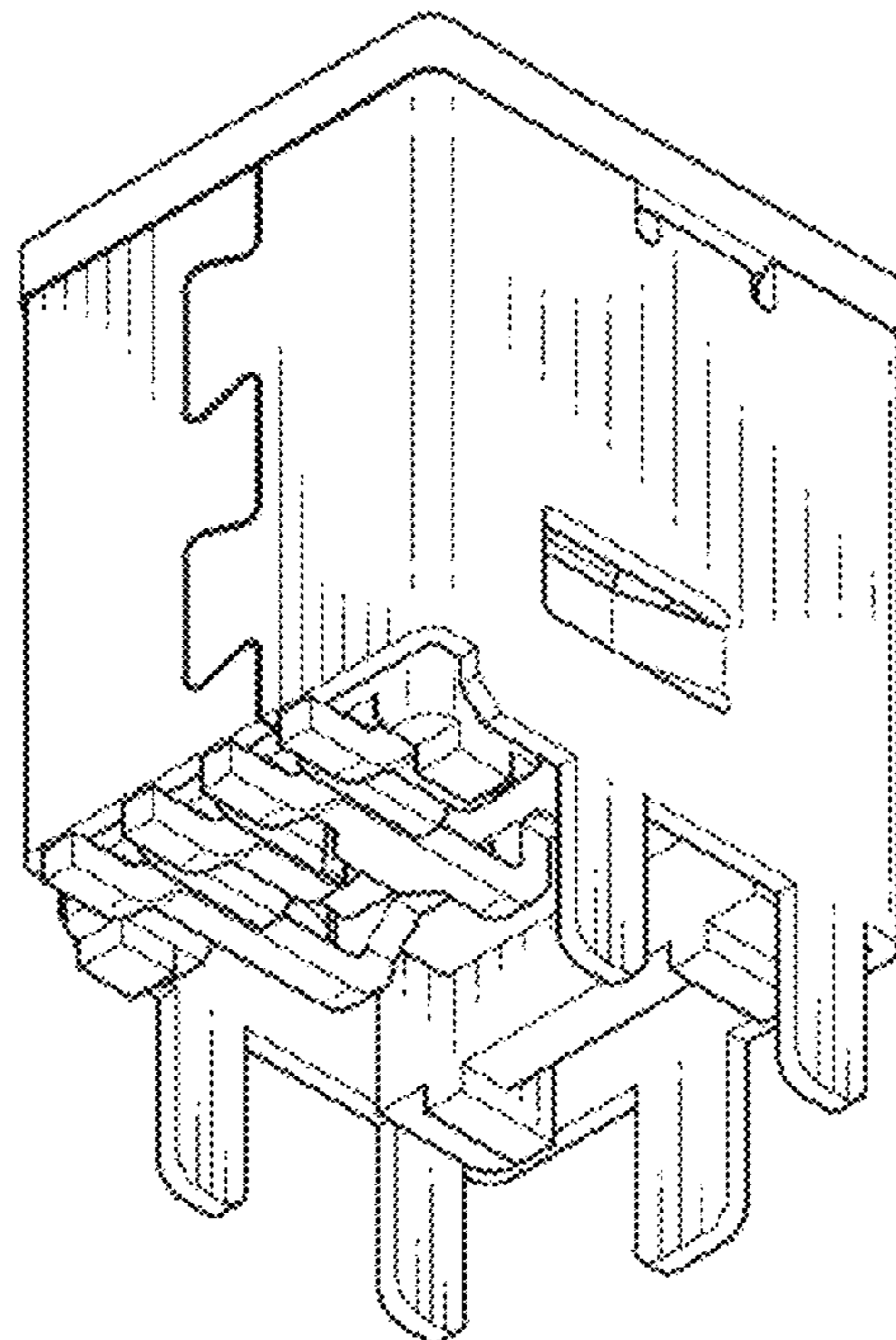


Fig. 3

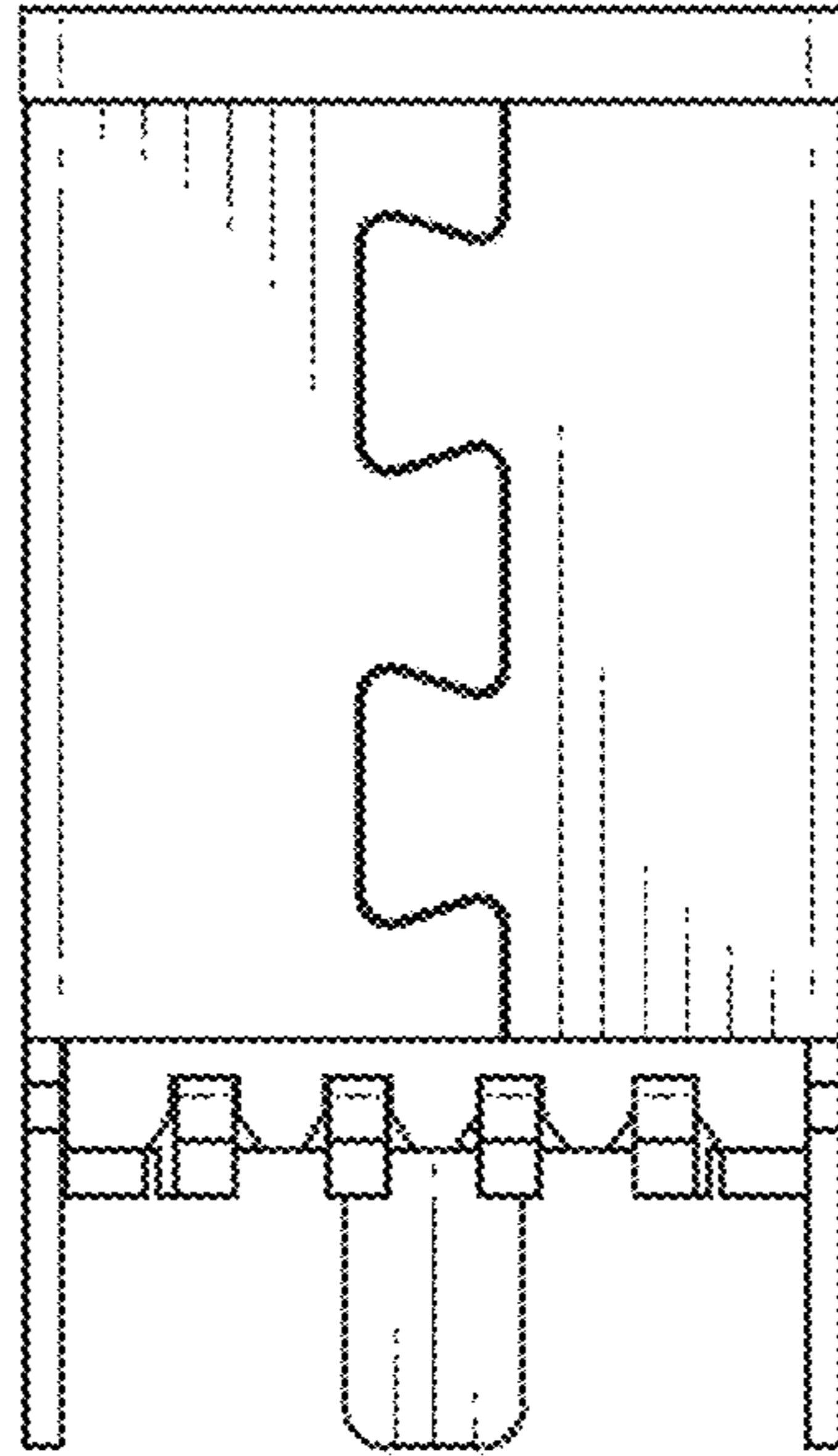


Fig. 4

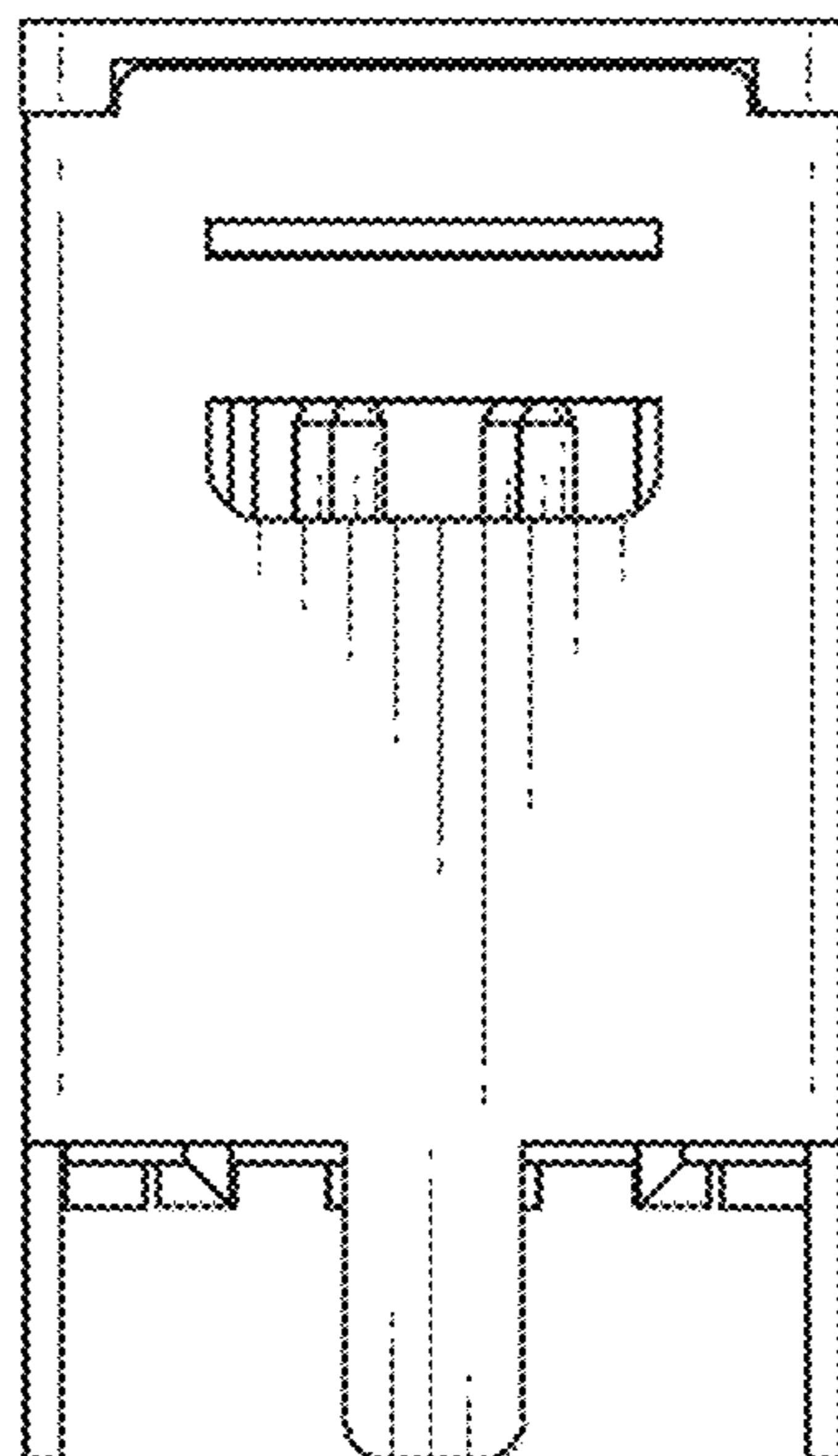


Fig. 5

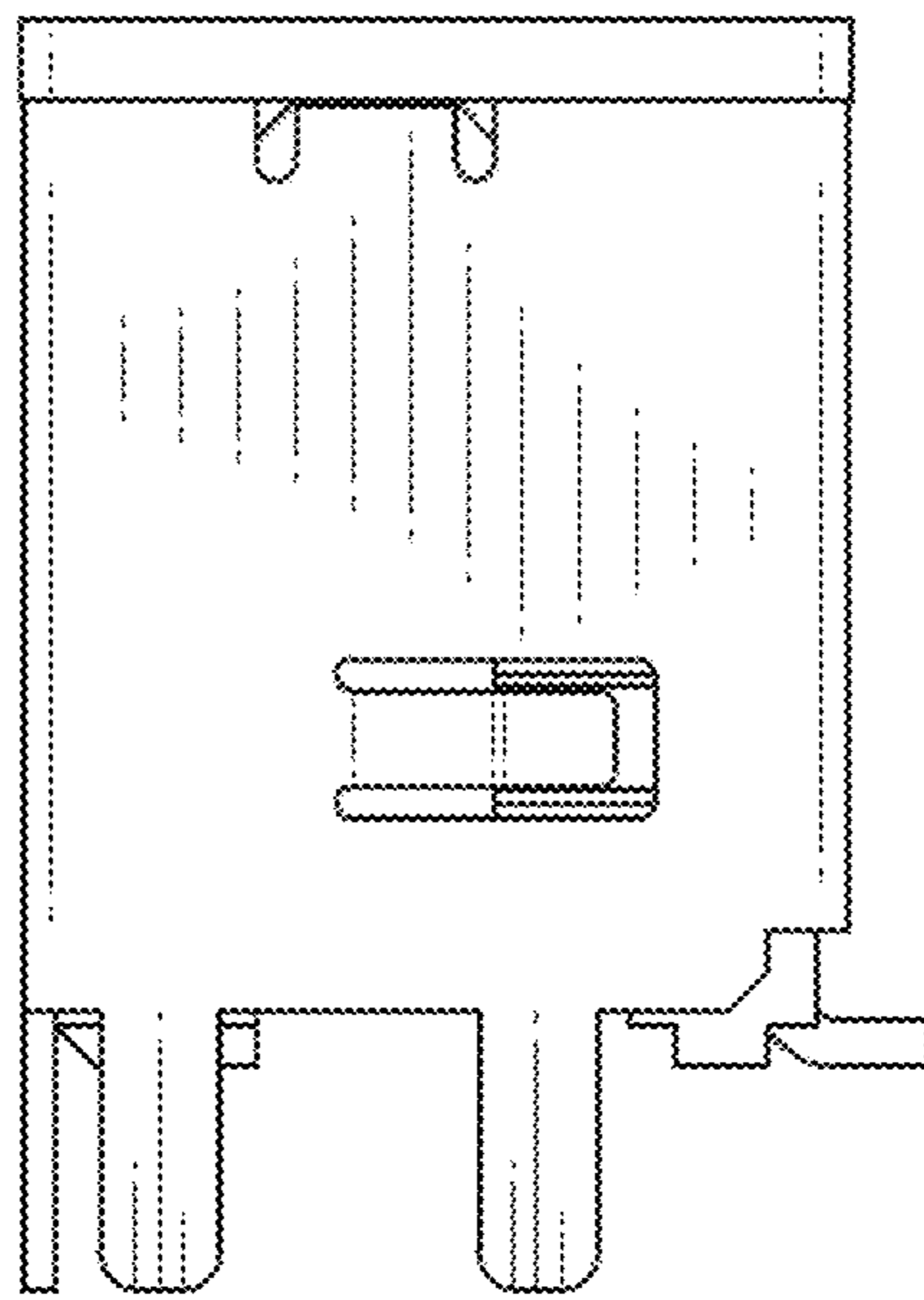


Fig. 6

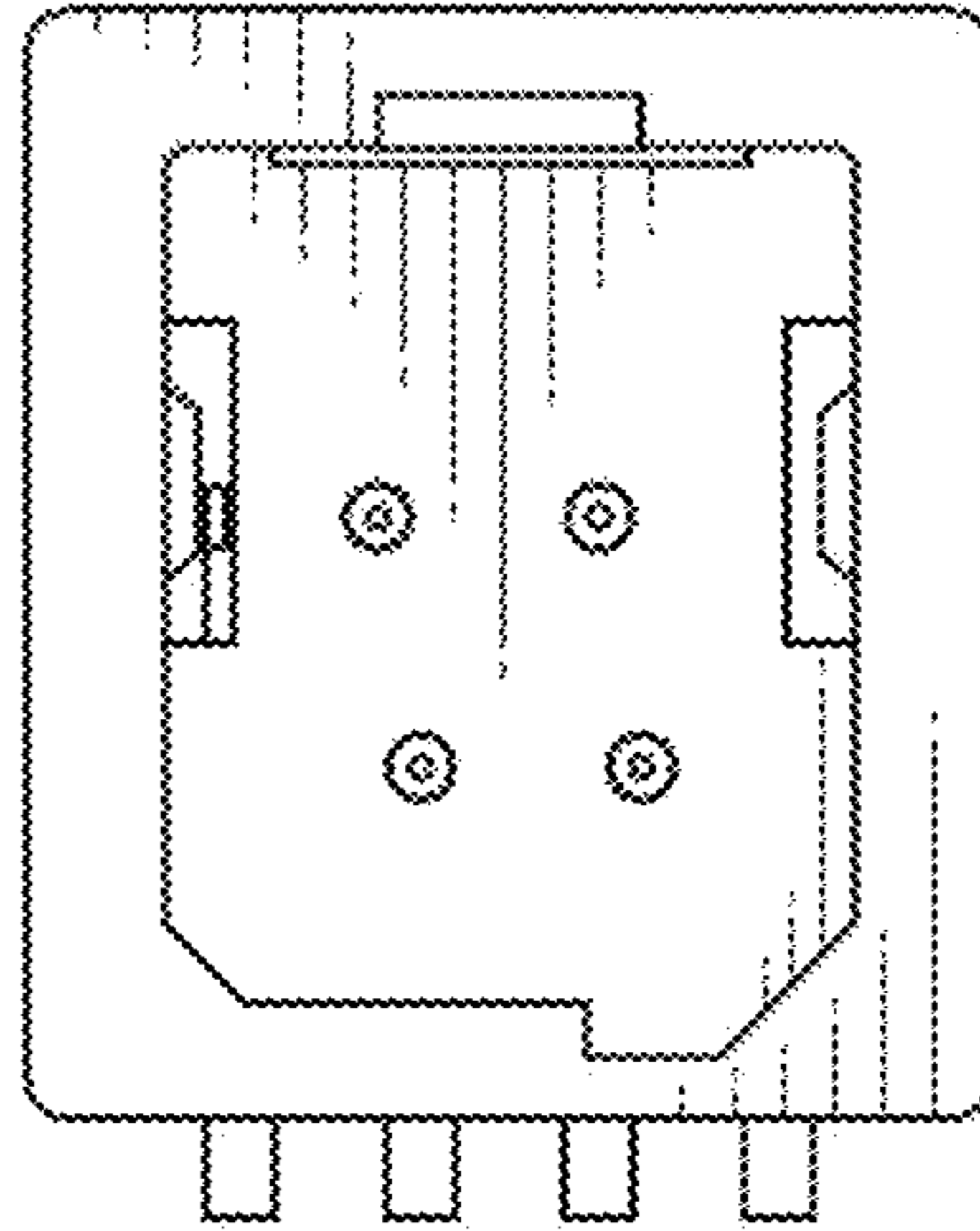


Fig. 7

