

US00D756931S

(12) **United States Design Patent**
Asano

(10) **Patent No.:** **US D756,931 S**

(45) **Date of Patent:** **** May 24, 2016**

(54) **ELECTRICAL CONNECTOR**

(71) Applicant: **HOSIDEN CORPORATION**, Yao-shi,
Osaka (JP)

(72) Inventor: **Takao Asano**, Yao (JP)

(73) Assignee: **HOSIDEN CORPORATION**, Yao-Shi
(JP)

(**) Term: **14 Years**

(21) Appl. No.: **29/522,815**

(22) Filed: **Apr. 2, 2015**

(30) **Foreign Application Priority Data**

Oct. 29, 2014 (JP) 2014-024097

(51) **LOC (10) Cl.** **13-03**

(52) **U.S. Cl.**
USPC **D13/147**

(58) **Field of Classification Search**
USPC D13/146, 147, 154, 184, 199
See application file for complete search history.

(56) **References Cited**

U.S. PATENT DOCUMENTS

D687,780	S	*	8/2013	Shimizu	D13/147
D701,491	S	*	3/2014	Miyoshi	D13/147
D747,687	S	*	1/2016	Endo	D13/146
D748,584	S	*	2/2016	Endo	D13/147
D748,586	S	*	2/2016	Endo	D13/147

* cited by examiner

Primary Examiner — Daniel Bui

(74) *Attorney, Agent, or Firm* — Rankin, Hill & Clark LLP

(57) **CLAIM**

The ornamental design for an electrical connector, as shown and described.

DESCRIPTION

FIG. 1 is a front, right side and top perspective view of an electrical connector showing my new design;
FIG. 2 is a front, right side and bottom perspective view thereof;
FIG. 3 is a front elevation view thereof;
FIG. 4 is a rear elevation view thereof;
FIG. 5 is a left side view thereof, a right side view being a mirror image thereof;
FIG. 6 is a top plan view thereof; and,
FIG. 7 is a bottom plan view thereof.

1 Claim, 4 Drawing Sheets

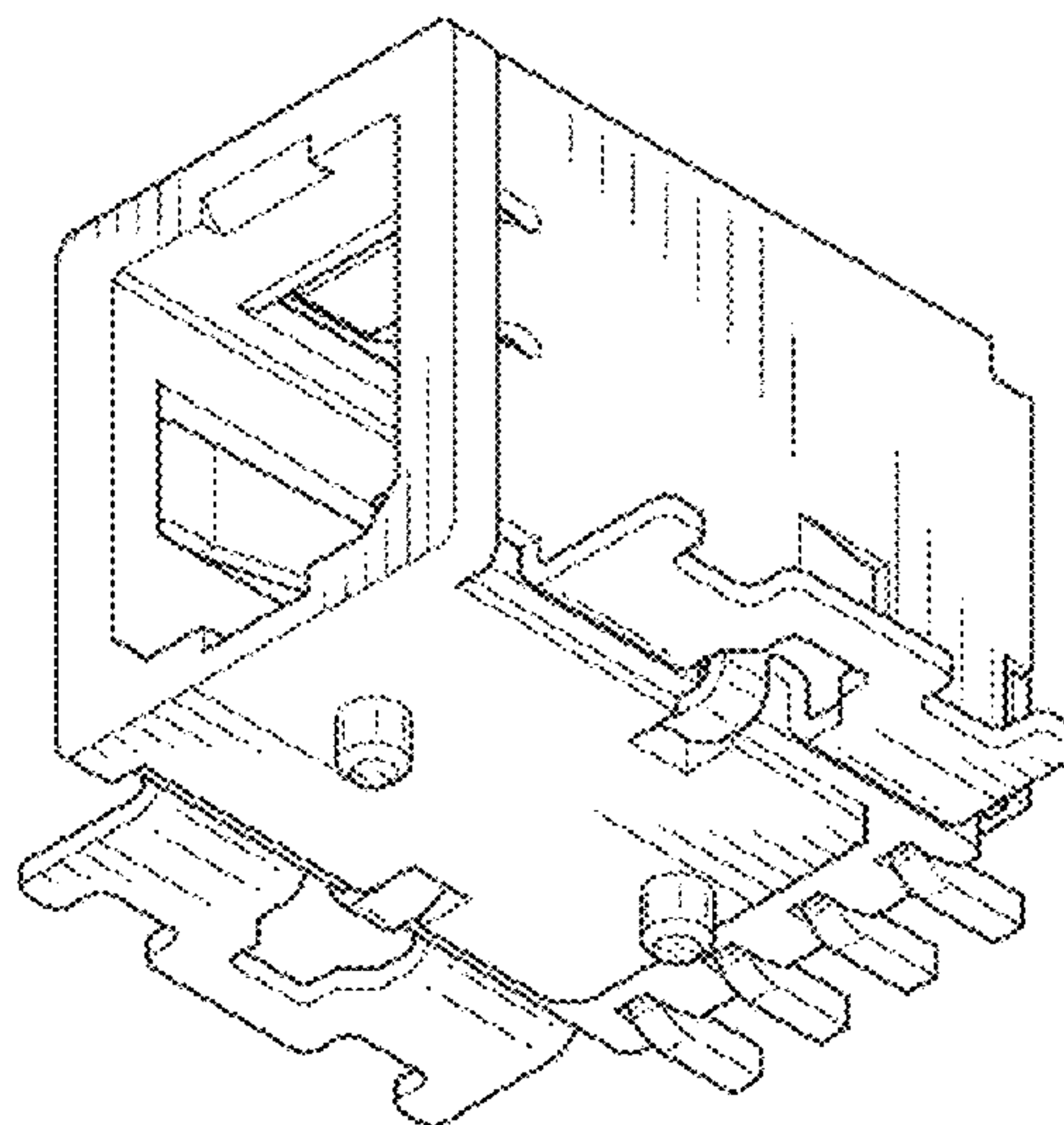
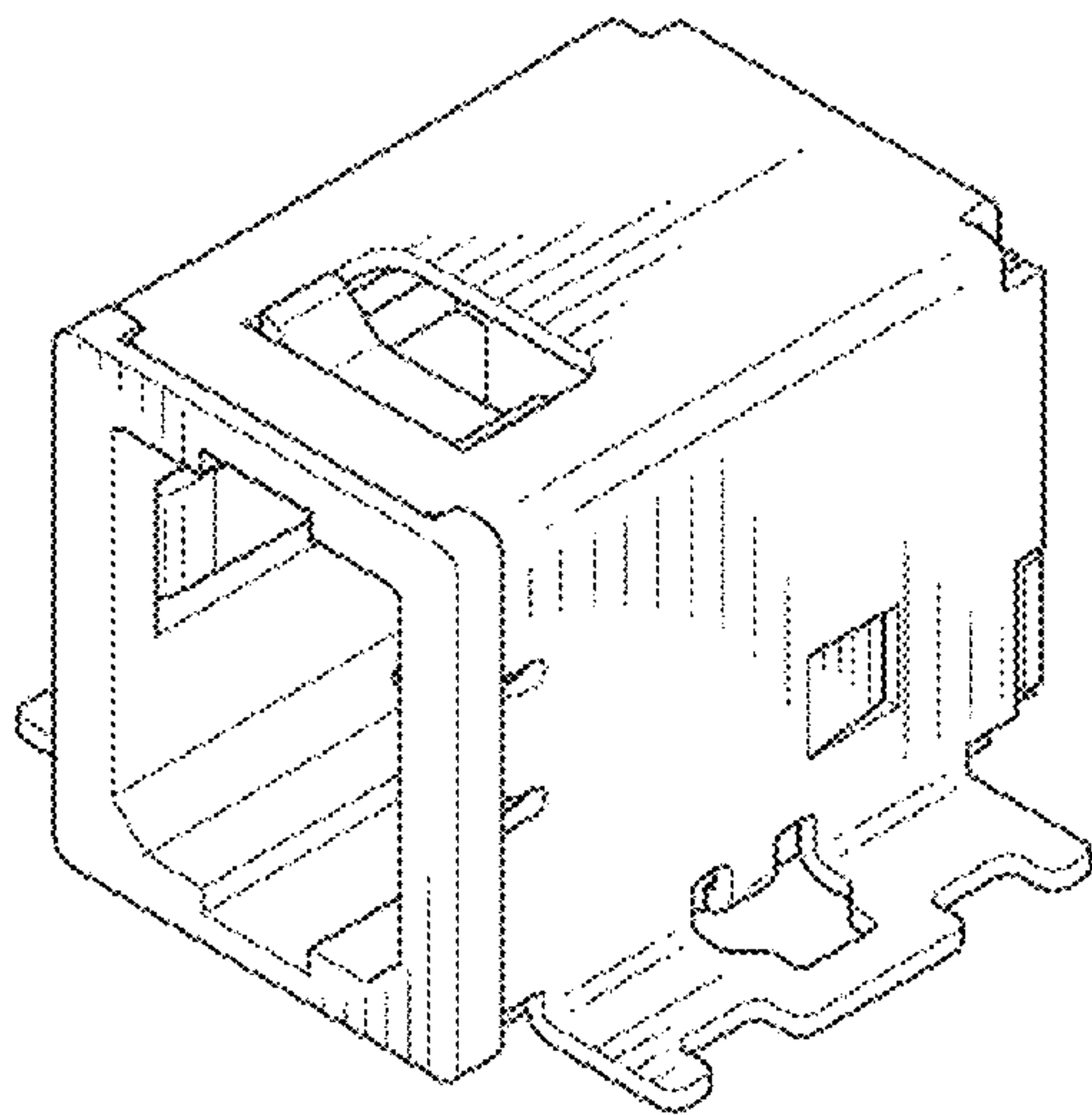


Fig. 1

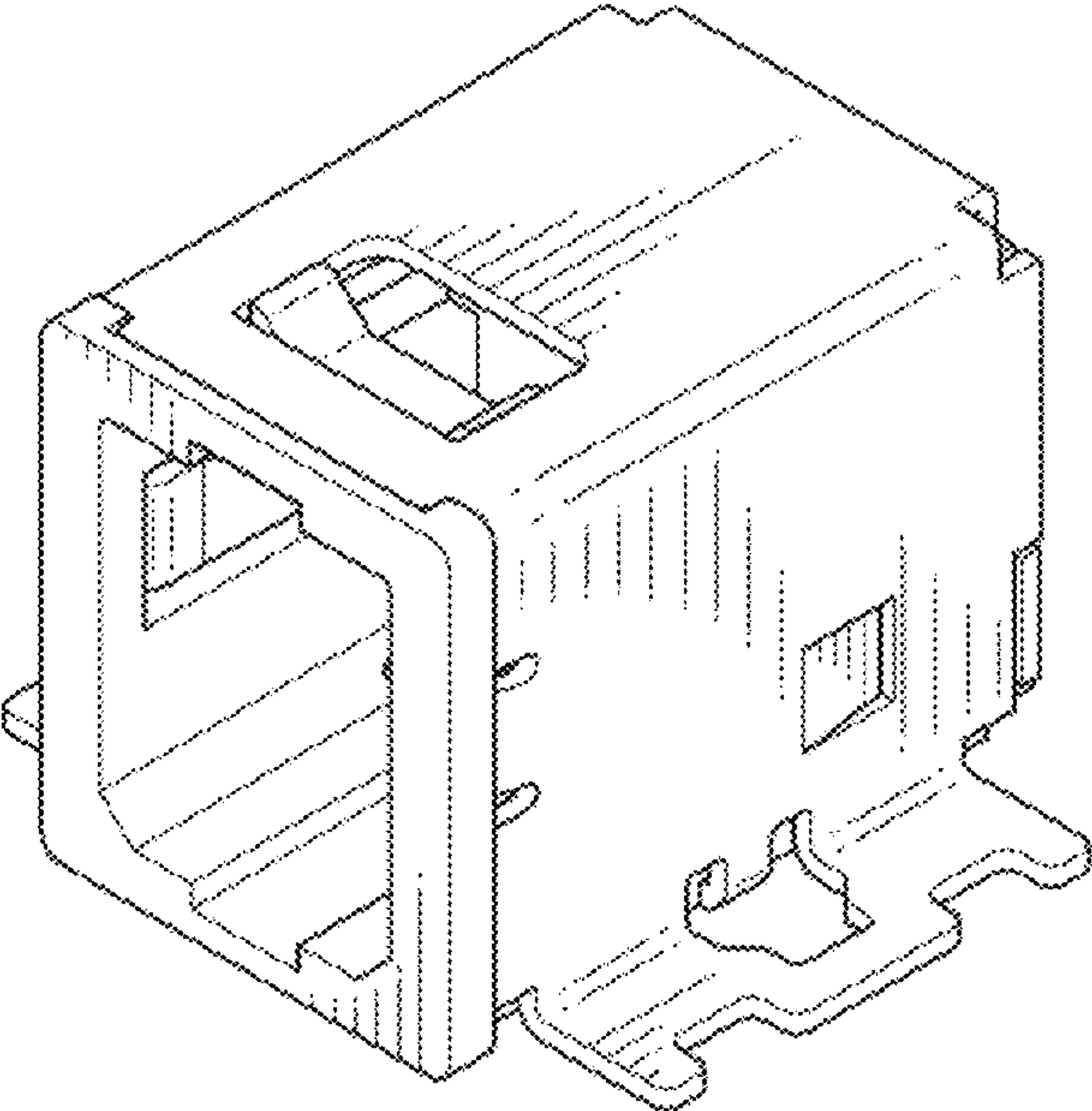


Fig. 2

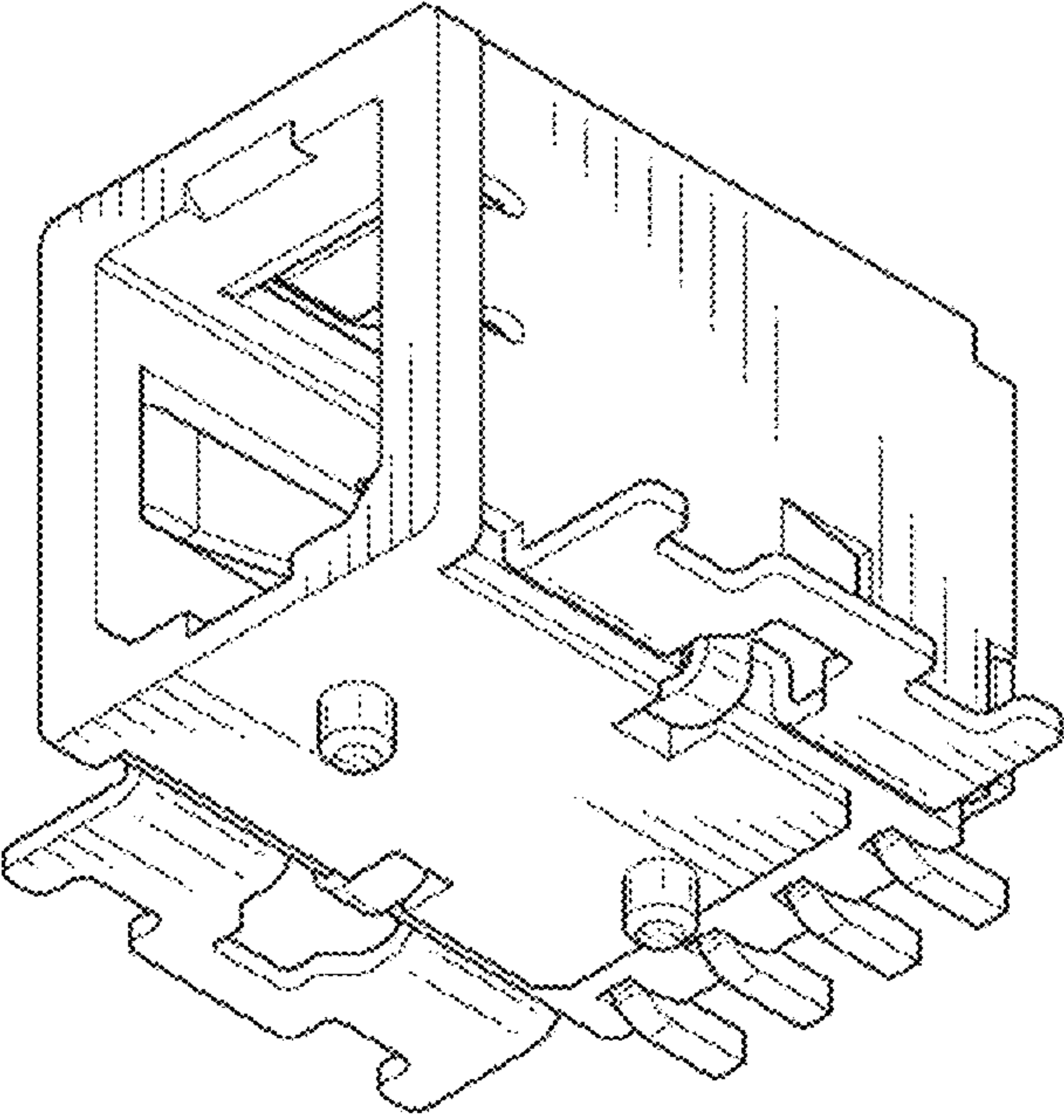


Fig. 3

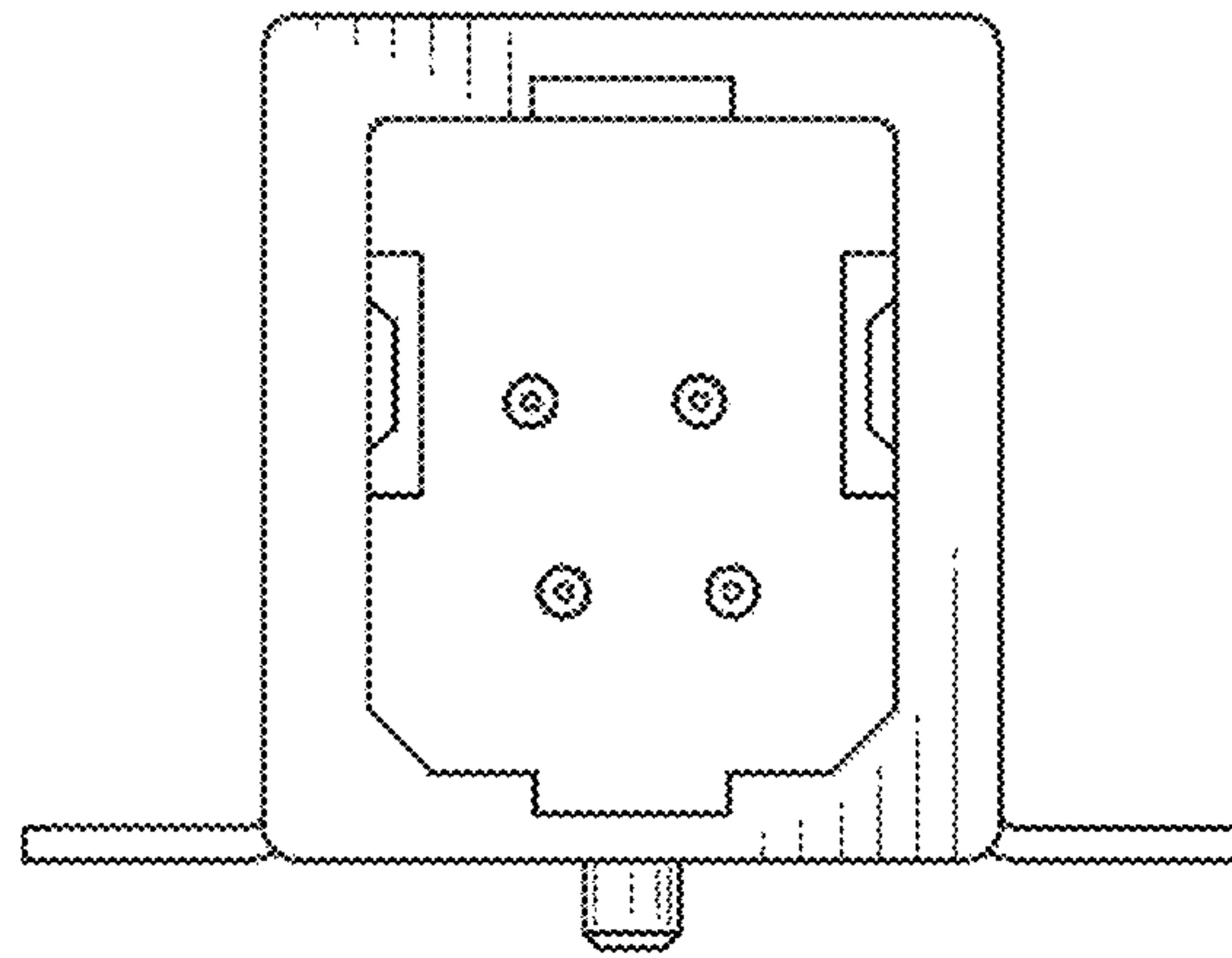


Fig. 4

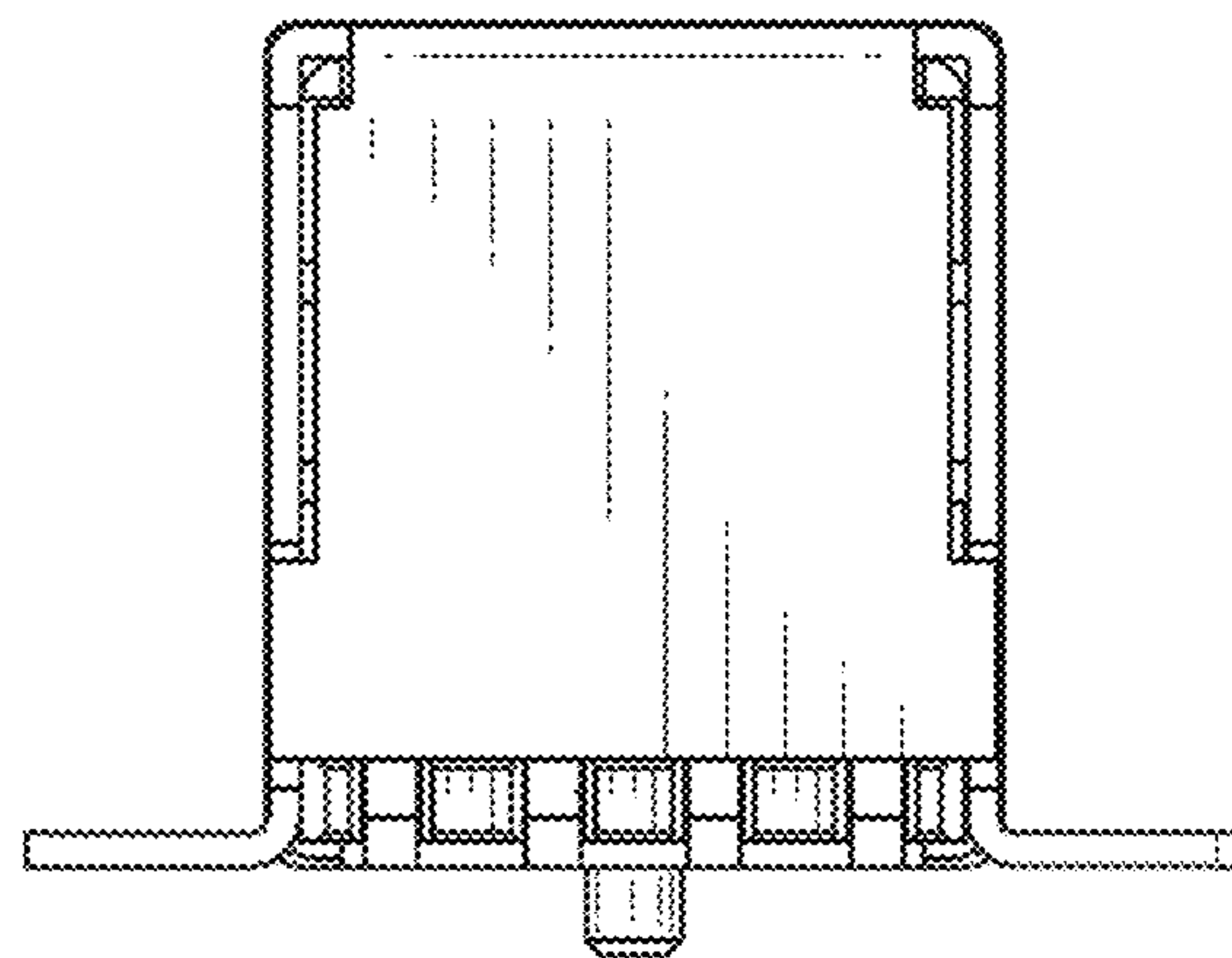


Fig. 5

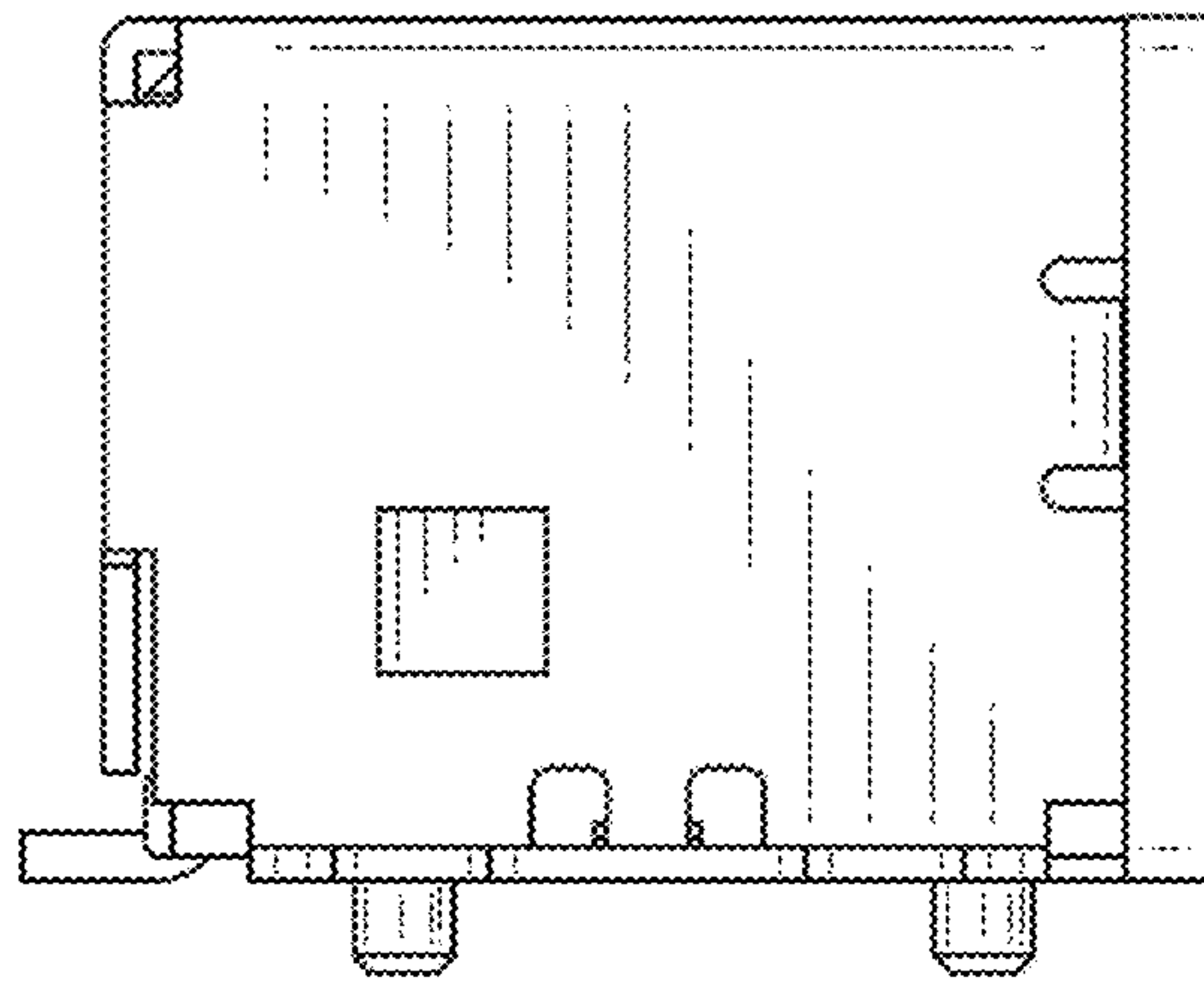


Fig. 6

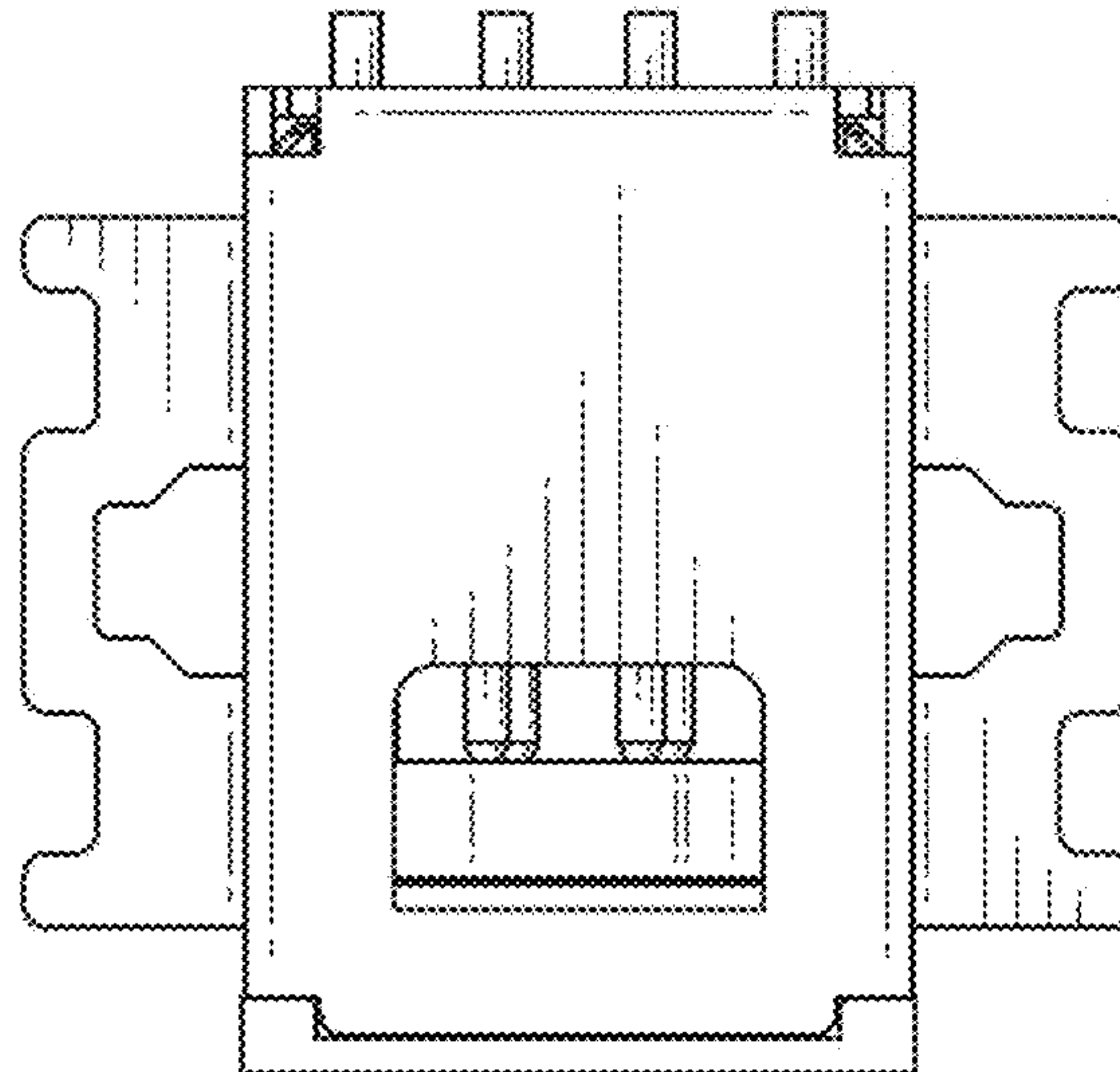


Fig. 7

