



US00D756929S

(12) **United States Design Patent**
Harck et al.

(10) **Patent No.:** **US D756,929 S**
(45) **Date of Patent:** **** May 24, 2016**

(54) **ELECTRICAL CONNECTOR FOR REFRIGERATION VALVE**

(71) Applicant: **Danfoss A/S**, Nordborg (DK)

(72) Inventors: **Kurt Harck**, Sonderborg (DK); **Sigurd Larsen**, Flensburg (DE)

(73) Assignee: **Danfoss A/S**, Nordborg (DK)

(**) Term: **14 Years**

(21) Appl. No.: **29/486,065**

(22) Filed: **Mar. 26, 2014**

(30) **Foreign Application Priority Data**

Sep. 30, 2013 (EM) 002317677

(51) **LOC (10) Cl.** **13-03**

(52) **U.S. Cl.**
USPC **D13/146**; D13/151

(58) **Field of Classification Search**
USPC D13/110, 118, 120, 122, 123, 133, 134,
D13/146, 147, 149, 151, 154, 184, 199;
D10/101, 102, 103
CPC F16K 3/265; F16K 3/26; F16K 31/041;
F16K 3/262; F25B 41/04; H01R 9/05; H01R
29/00

See application file for complete search history.

(56) **References Cited**

U.S. PATENT DOCUMENTS

D71,621 S * 12/1926 Reynolds D13/151
5,001,443 A * 3/1991 Martin, III H01P 5/10
333/125

D360,617 S * 7/1995 Grande D13/133
D546,290 S * 7/2007 Yamada D13/147
D601,504 S * 10/2009 Rupp D13/147
D606,439 S * 12/2009 Yan D10/101
D659,100 S * 5/2012 Deiss D13/151
D721,334 S * 1/2015 Maines D13/151
D730,288 S * 5/2015 Ilkhanov D13/120
2005/0051217 A1 * 3/2005 Bastien B60R 21/276
137/538
2014/0120750 A1 * 5/2014 Johnson H01R 27/00
439/131
2014/0141634 A1 * 5/2014 Sasano H01R 13/652
439/108

* cited by examiner

Primary Examiner — Thomas Johannes

Assistant Examiner — Shawn T Gingrich

(74) *Attorney, Agent, or Firm* — McCormick, Paulding & Huber LLP

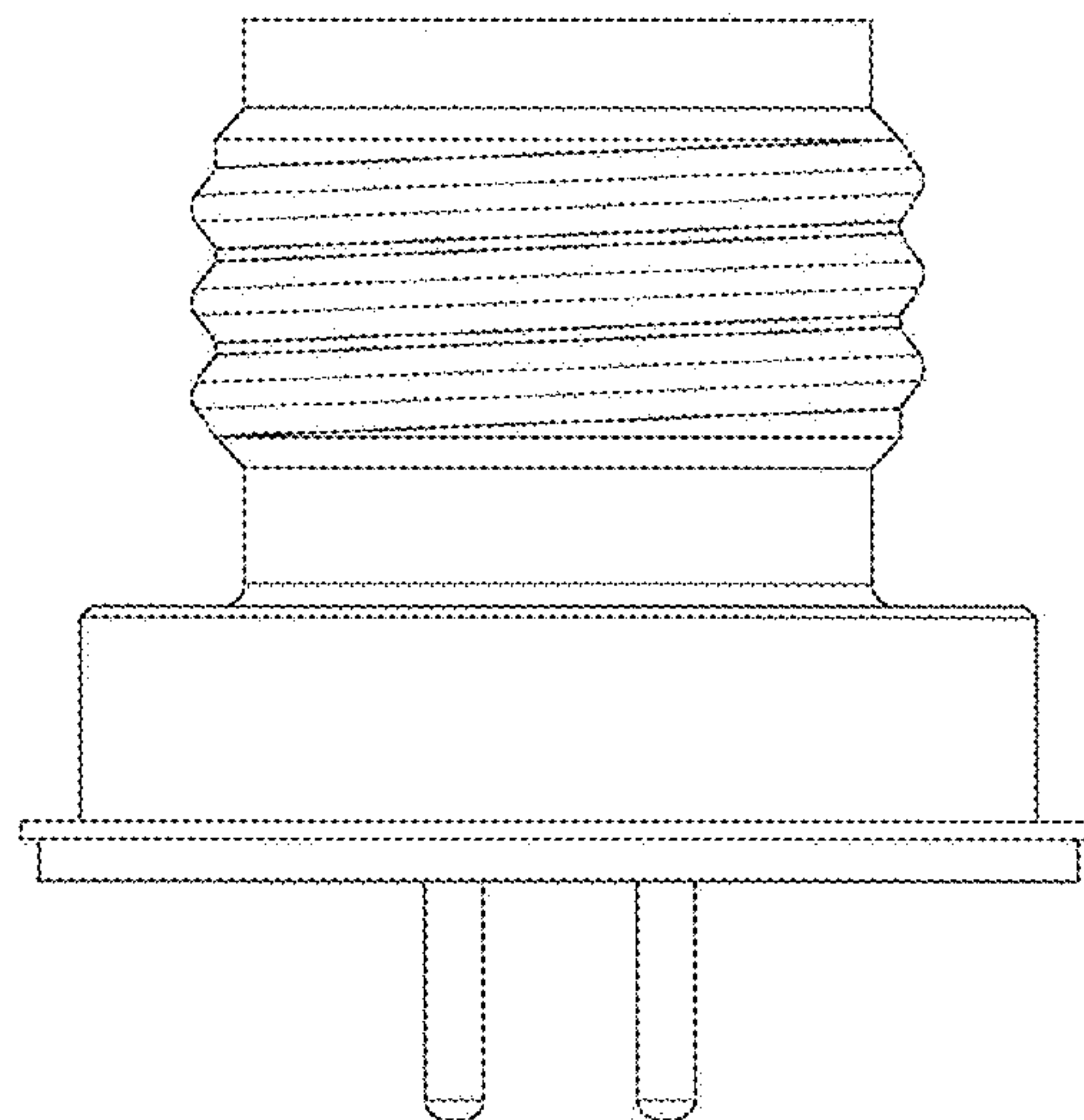
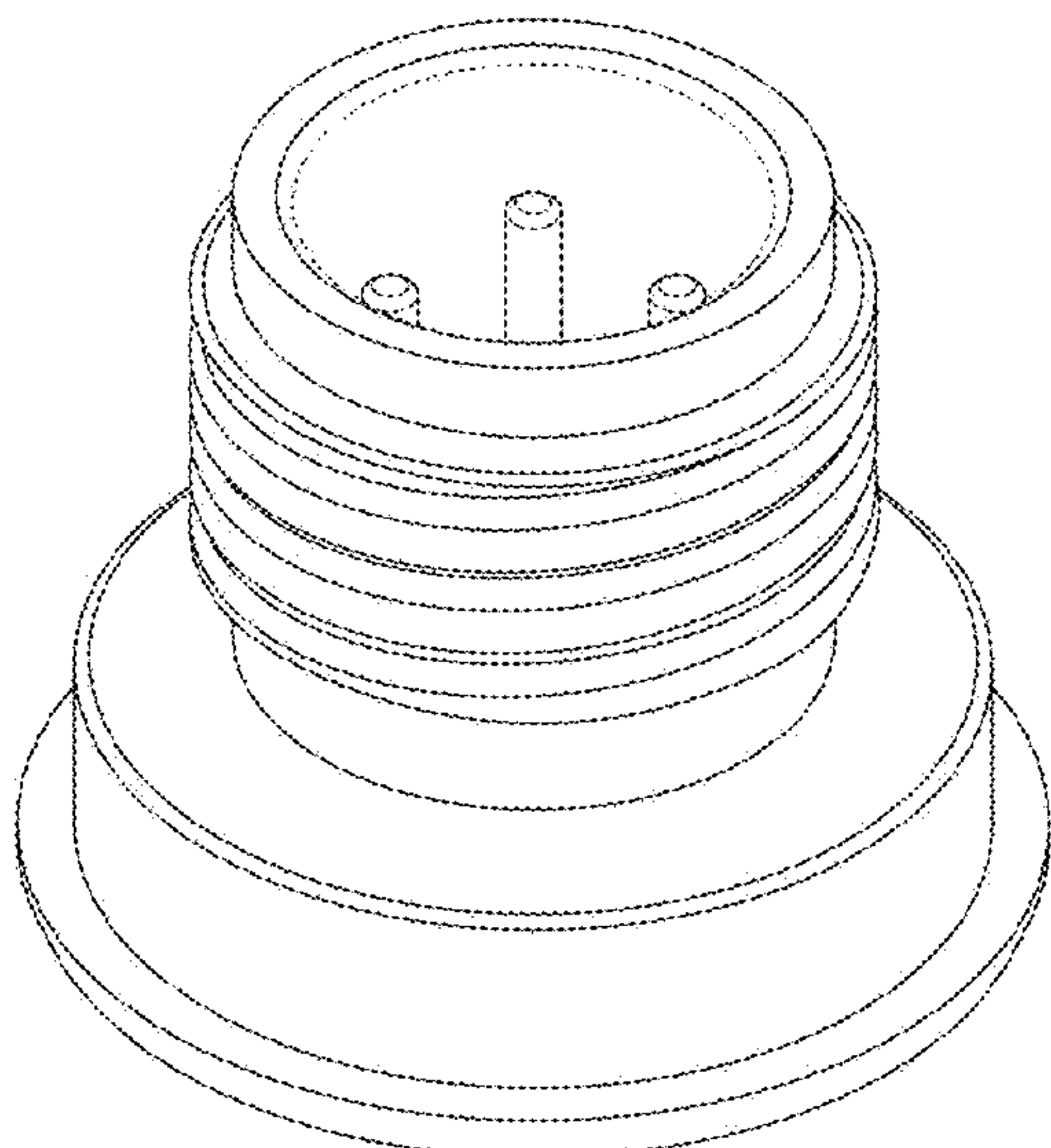
(57) **CLAIM**

The ornamental design for an electrical connector for refrigeration valve, substantially as shown and described.

DESCRIPTION

FIG. 1 is a front, top perspective view of an electrical connector for refrigeration valve comprising a new, original and ornamental design;
FIG. 2 is a bottom view thereof;
FIG. 3 is a top view thereof; and,
FIG. 4 is a front view, with the rear, right-hand side and left-hand side views being mirror images thereof.
The broken line portion of the figure drawings is included to show portions of the article that form(s) no part of the claimed design.

1 Claim, 4 Drawing Sheets



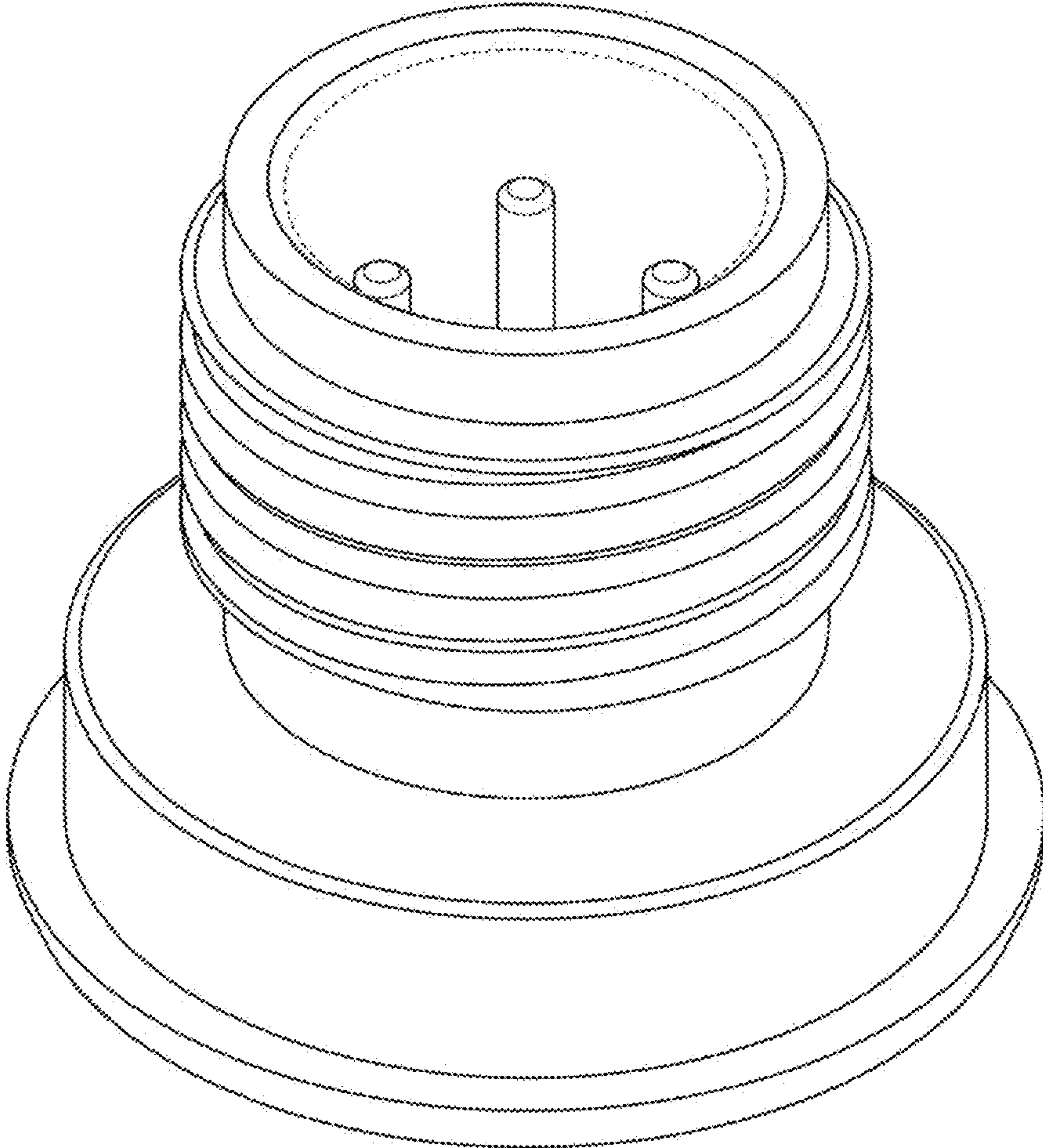


FIG. 1

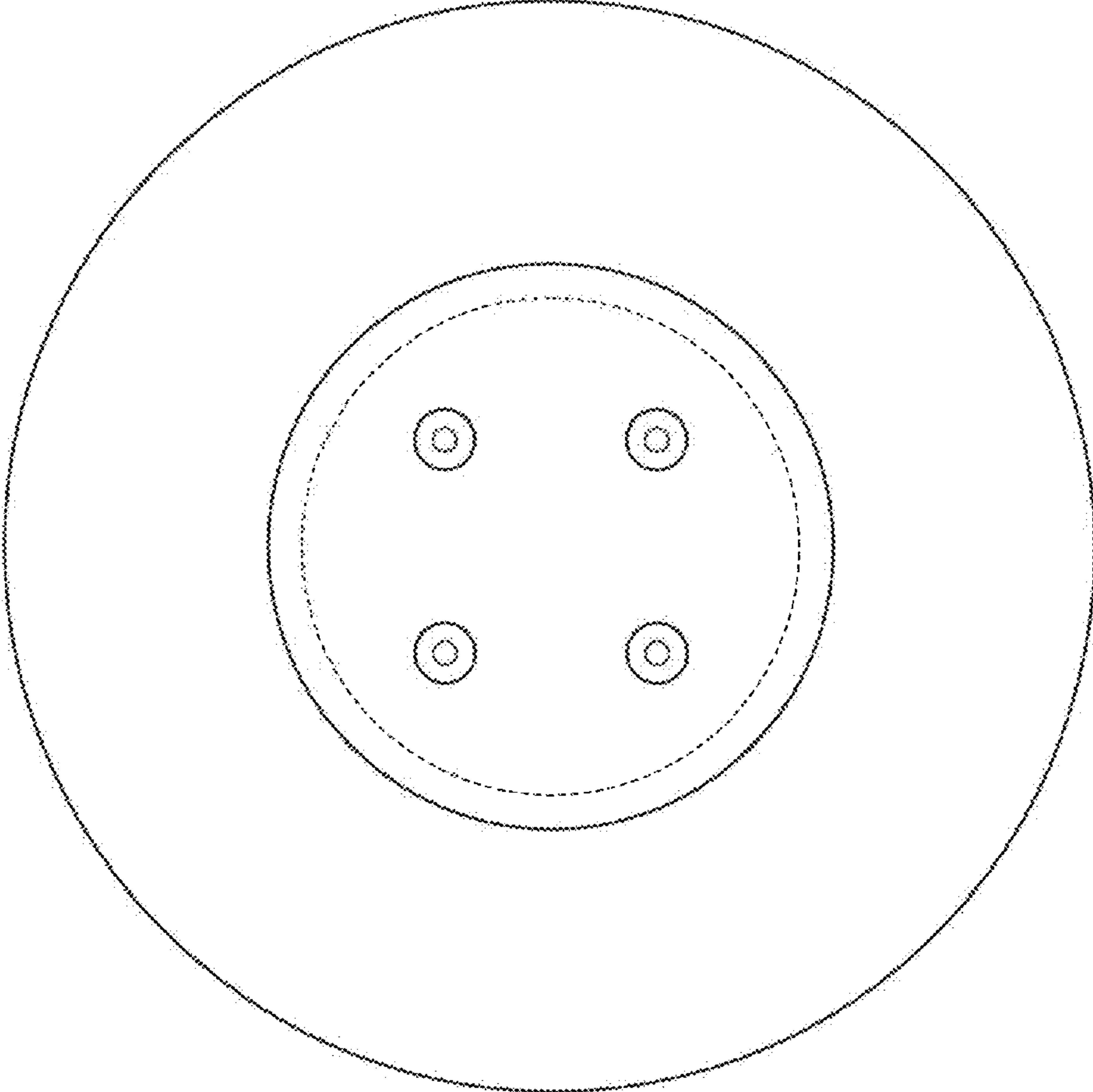


FIG. 2

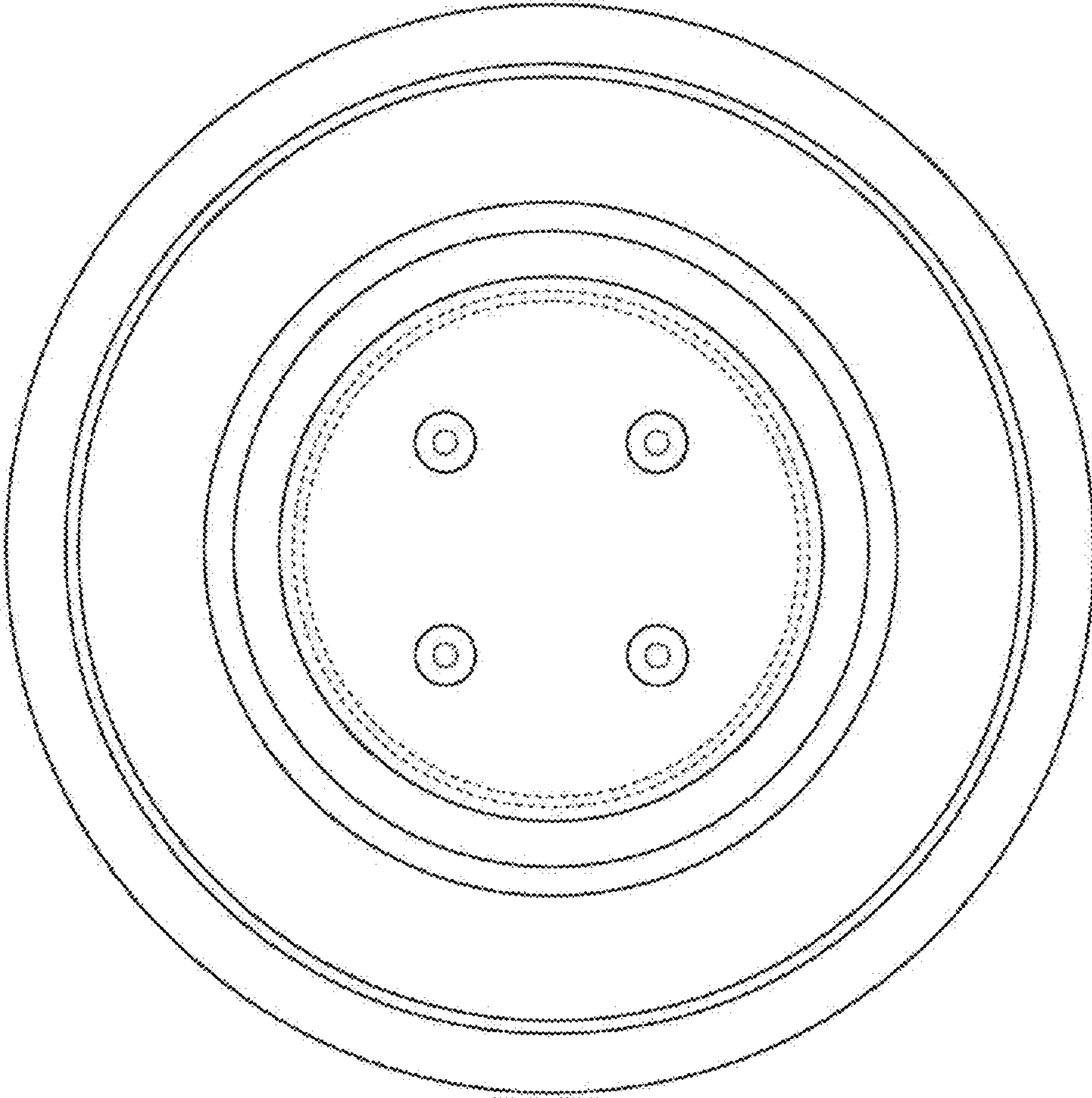


FIG. 3

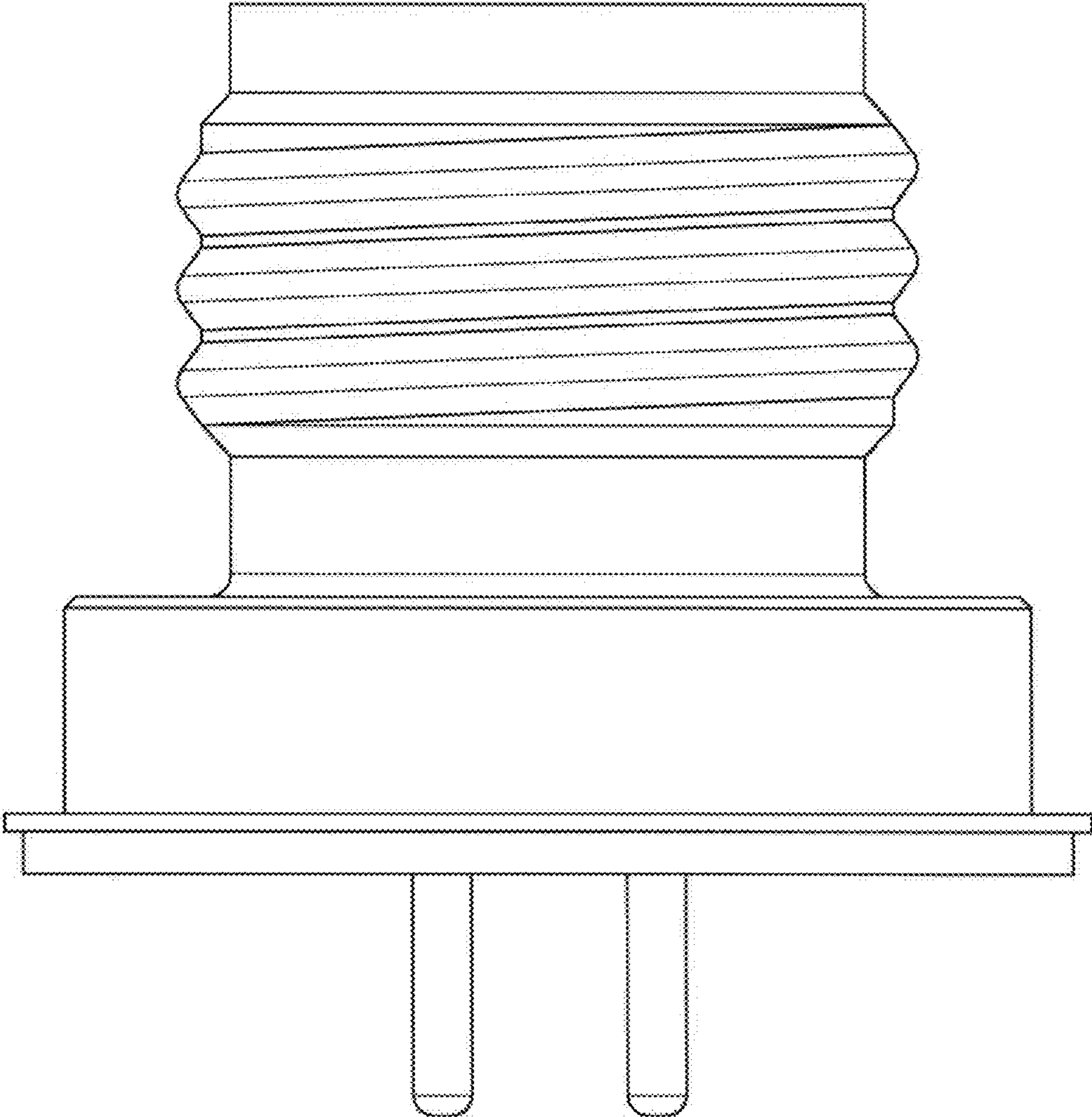


FIG. 4