



US00D756928S

(12) **United States Design Patent**  
**Zayas**

(10) **Patent No.:** **US D756,928 S**  
(45) **Date of Patent:** **\*\* May 24, 2016**

(54) **BASE FOR HIGH PRESSURE LAMP**

(71) Applicant: **LightSources Inc.**, Orange, CT (US)

(72) Inventor: **Betty Jean Zayas**, Bridgeport, CT (US)

(73) Assignee: **LIGHTSOURCES INC.**, Orange, CT (US)

(\*\*) Term: **15 Years**

(21) Appl. No.: **29/527,412**

(22) Filed: **May 19, 2015**

(51) **LOC (10) Cl.** ..... **13-03**

(52) **U.S. Cl.**  
USPC ..... **D13/134**

(58) **Field of Classification Search**  
USPC ..... D13/110, 118, 123, 133-139.8, 146,  
D13/147, 151, 154, 184, 199  
CPC ..... F21V 19/00; F21V 21/00; F21V 21/06;  
F21V 29/00; F16L 37/23; G02B 6/3847;  
G02B 6/38; G02B 6/36; H01R 4/24; H01R  
13/64; H01R 13/66; H01R 33/08; H01R  
33/05; H01R 33/02; H01R 33/76; H01R  
13/00

See application file for complete search history.

(56) **References Cited**

U.S. PATENT DOCUMENTS

4,427,879	A *	1/1984	Becher	.....	G02B 6/2552
					250/215
5,114,036	A *	5/1992	Liu	.....	H05K 5/0239
					220/787
5,795,192	A	8/1998	Ullrich		
D507,537	S *	7/2005	Lord	.....	D13/147
D575,739	S *	8/2008	Ho	.....	D13/133
D588,989	S *	3/2009	Kok	.....	D13/133

D590,344	S *	4/2009	Suematsu	.....	D13/147
2014/0151999	A1	6/2014	Imaki et al.		
2015/0028736	A1	1/2015	Derhaeg et al.		

OTHER PUBLICATIONS

Drawings from preliminary request for proposal of potential customer, effective date: May 6, 2015. The attached drawings are drawings of a socket that were included in a communication from a potential customer requesting information on a possible quote to design and manufacture a base for use with the socket.

\* cited by examiner

*Primary Examiner* — Daniel Bui

*Assistant Examiner* — Shawn T Gingrich

(74) *Attorney, Agent, or Firm* — Cantor Colburn LLP

(57) **CLAIM**

The ornamental design for a base for high pressure lamp, as shown and described.

**DESCRIPTION**

FIG. 1 is a front perspective view of an embodiment of a base for high pressure lamp.

FIG. 2 is a rear perspective view of the embodiment of FIG. 1.

FIG. 3 is a front planar view of the embodiment of FIG. 1.

FIG. 4 is a rear planar view of the embodiment of FIG. 1.

FIG. 5 is a right side planar view of the embodiment of FIG. 1.

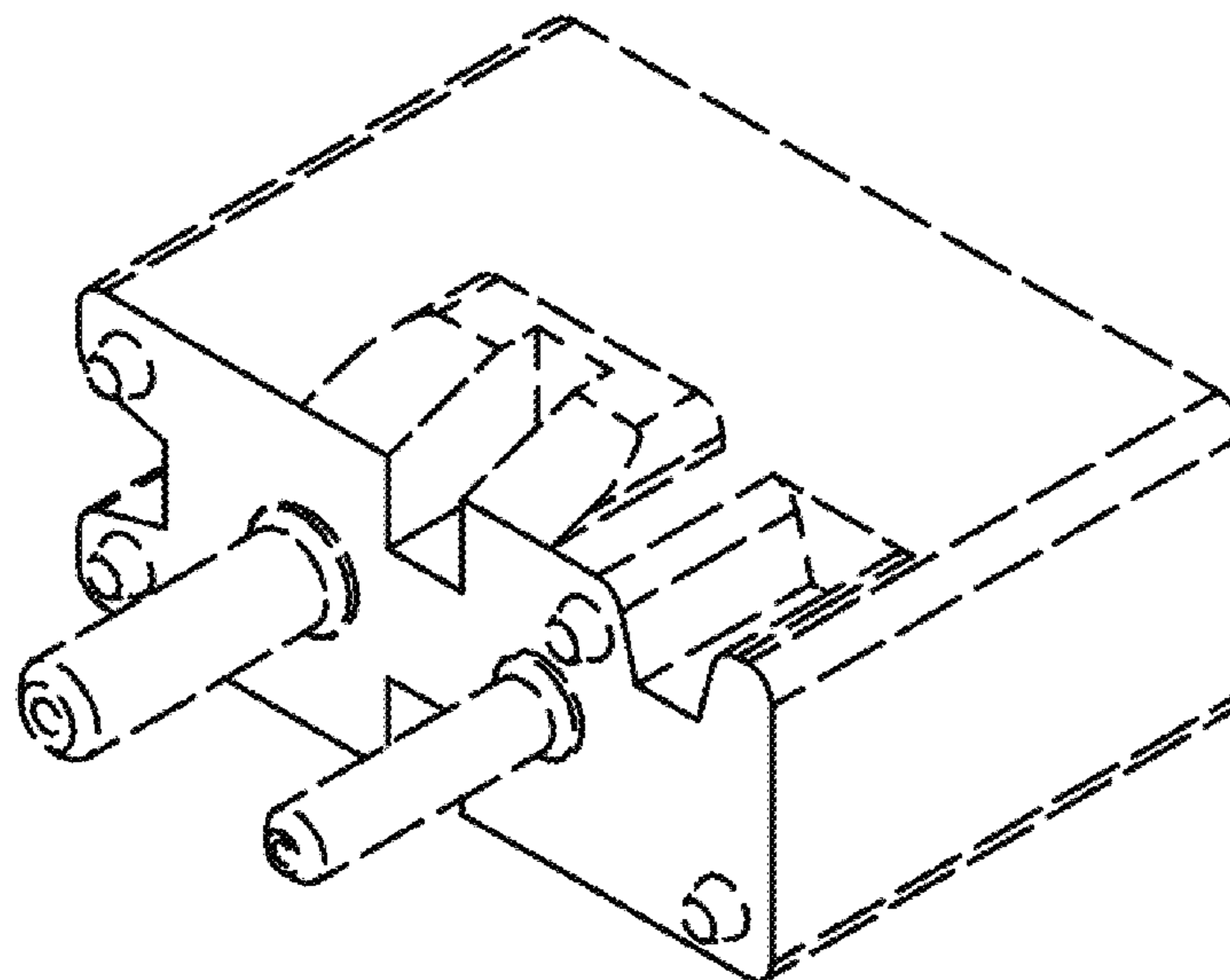
FIG. 6 is a left side planar view of the embodiment of FIG. 1.

FIG. 7 is a top planar view of the embodiment of FIG. 1; and,

FIG. 8 is a bottom planar view of the embodiment of FIG. 1.

The broken lines in the drawings are for the purpose of illustrating portions of the base for high pressure lamp that form no part of the claimed design.

**1 Claim, 2 Drawing Sheets**



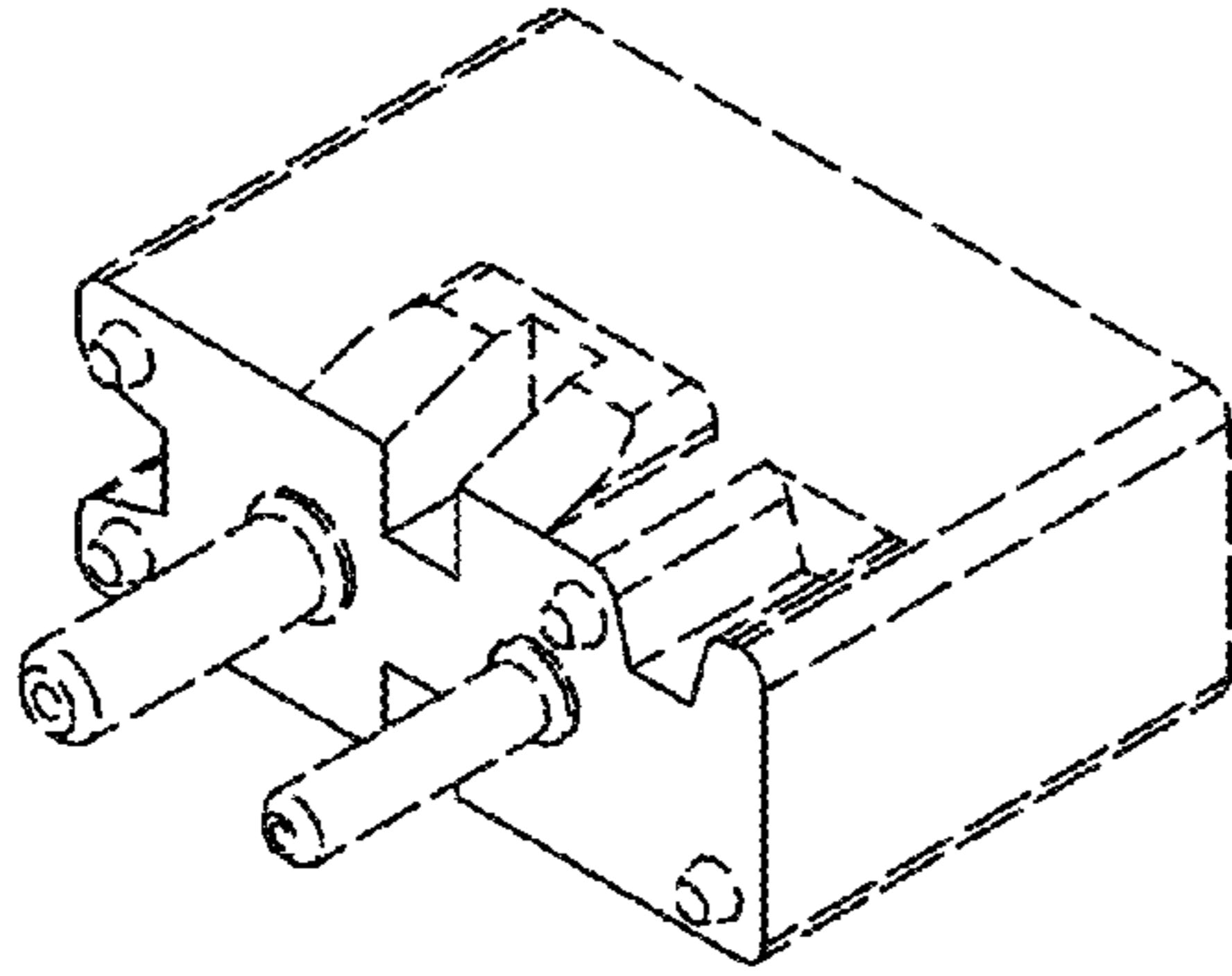


FIG. 1

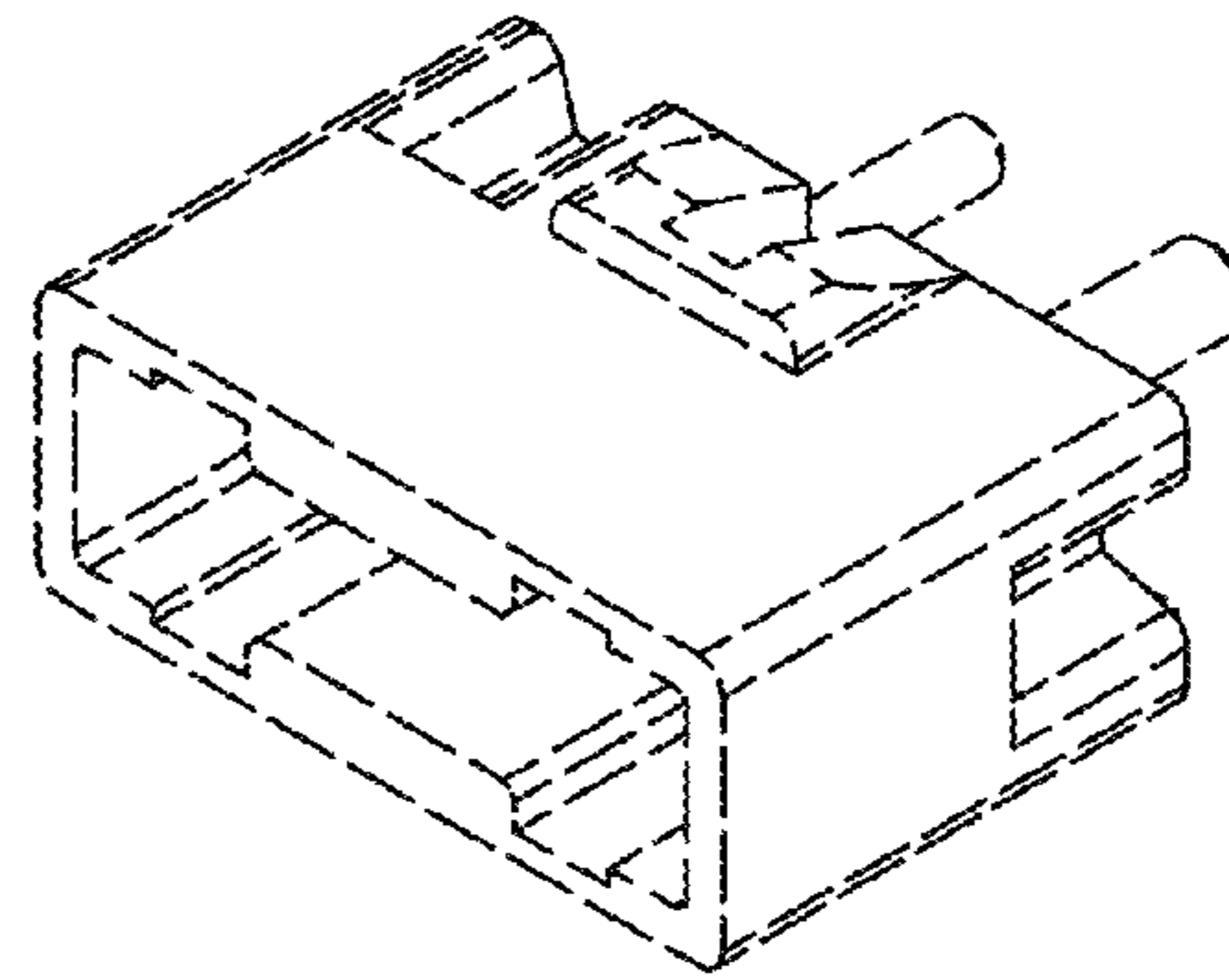


FIG. 2

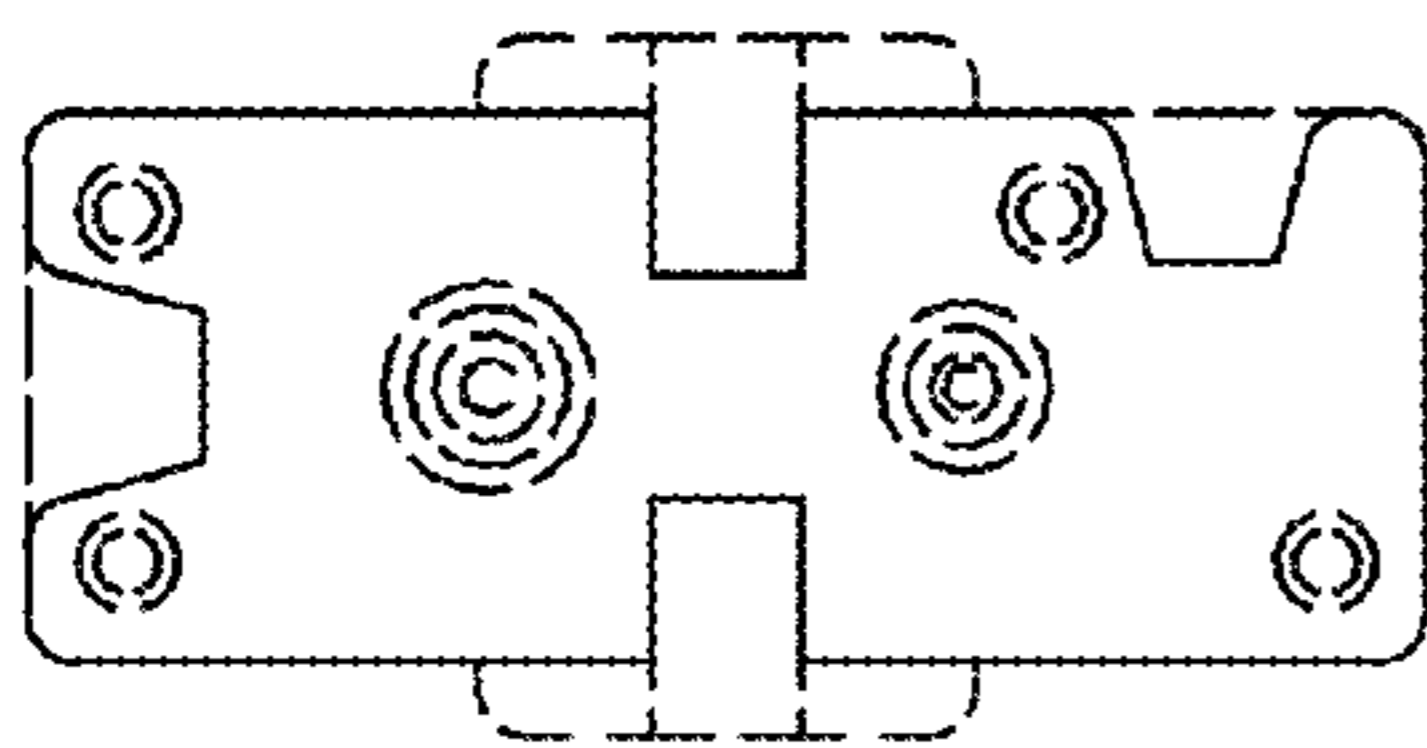


FIG. 3

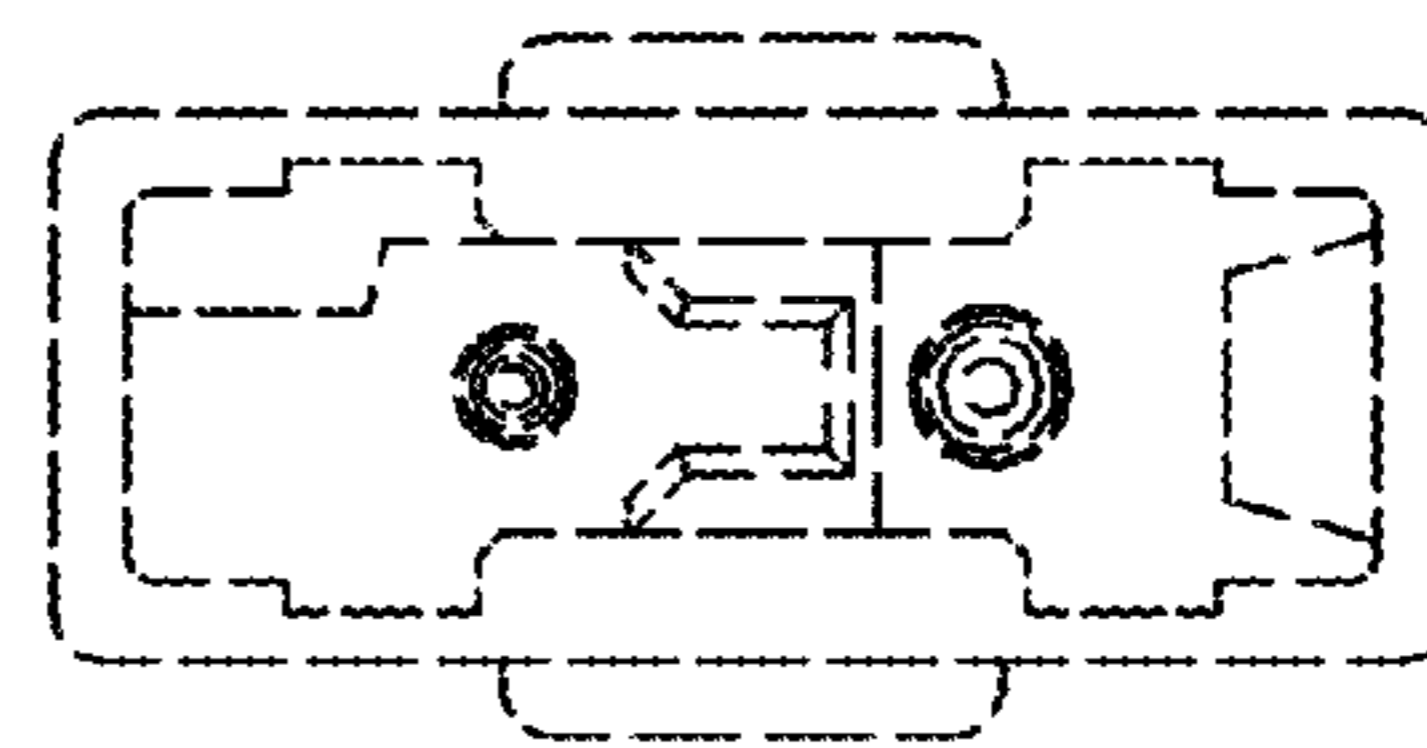


FIG. 4

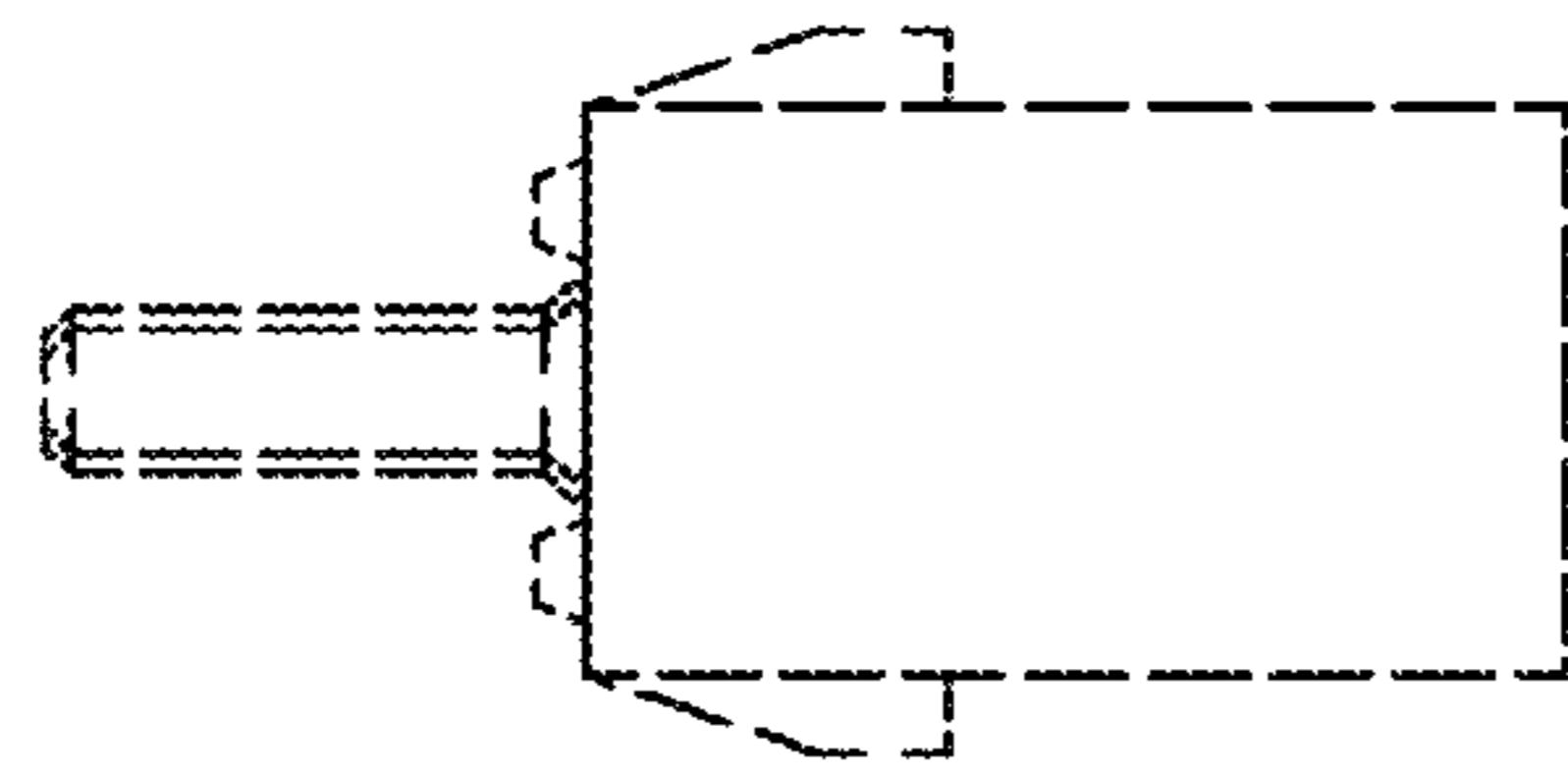


FIG. 5

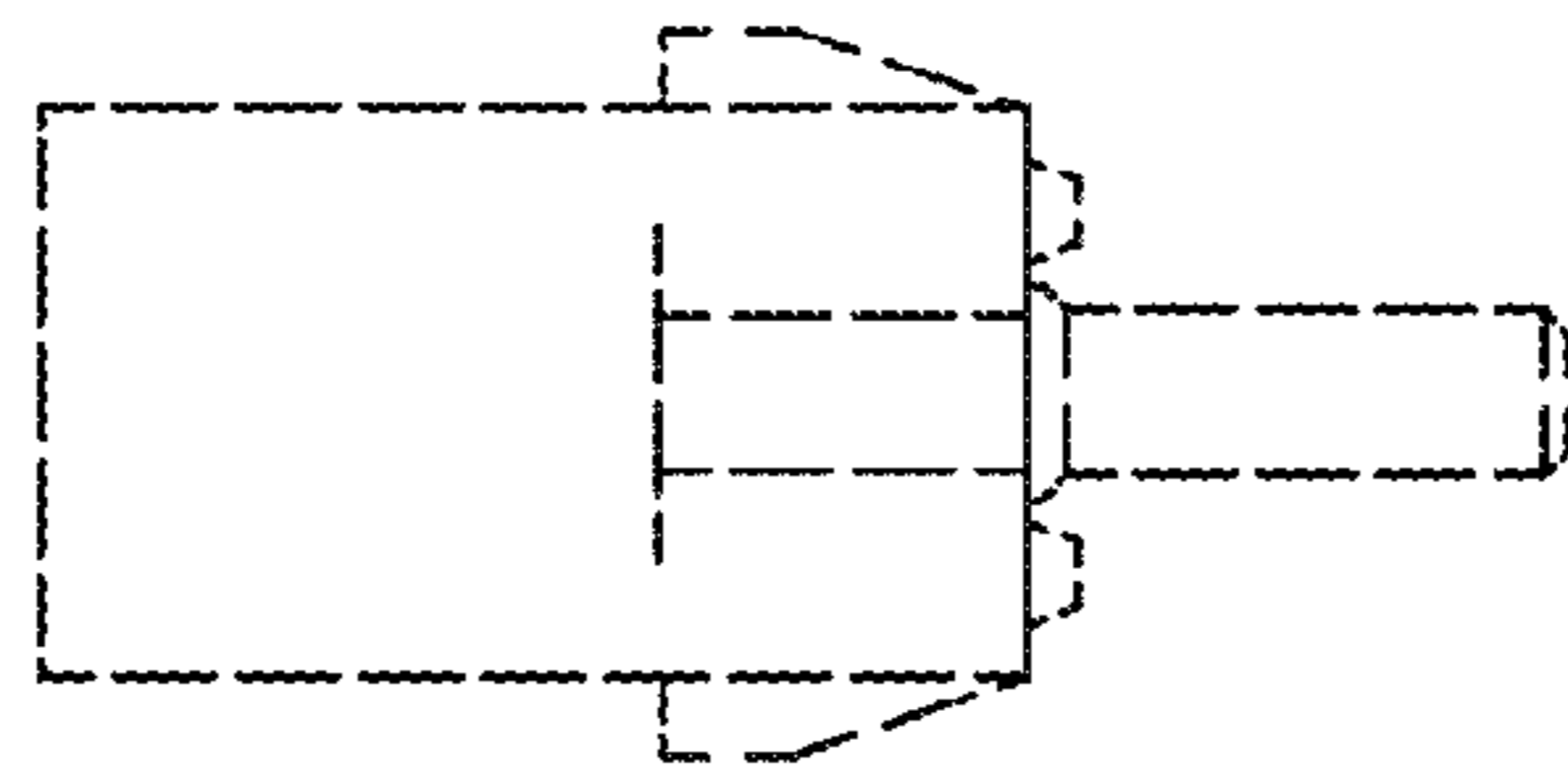


FIG. 6

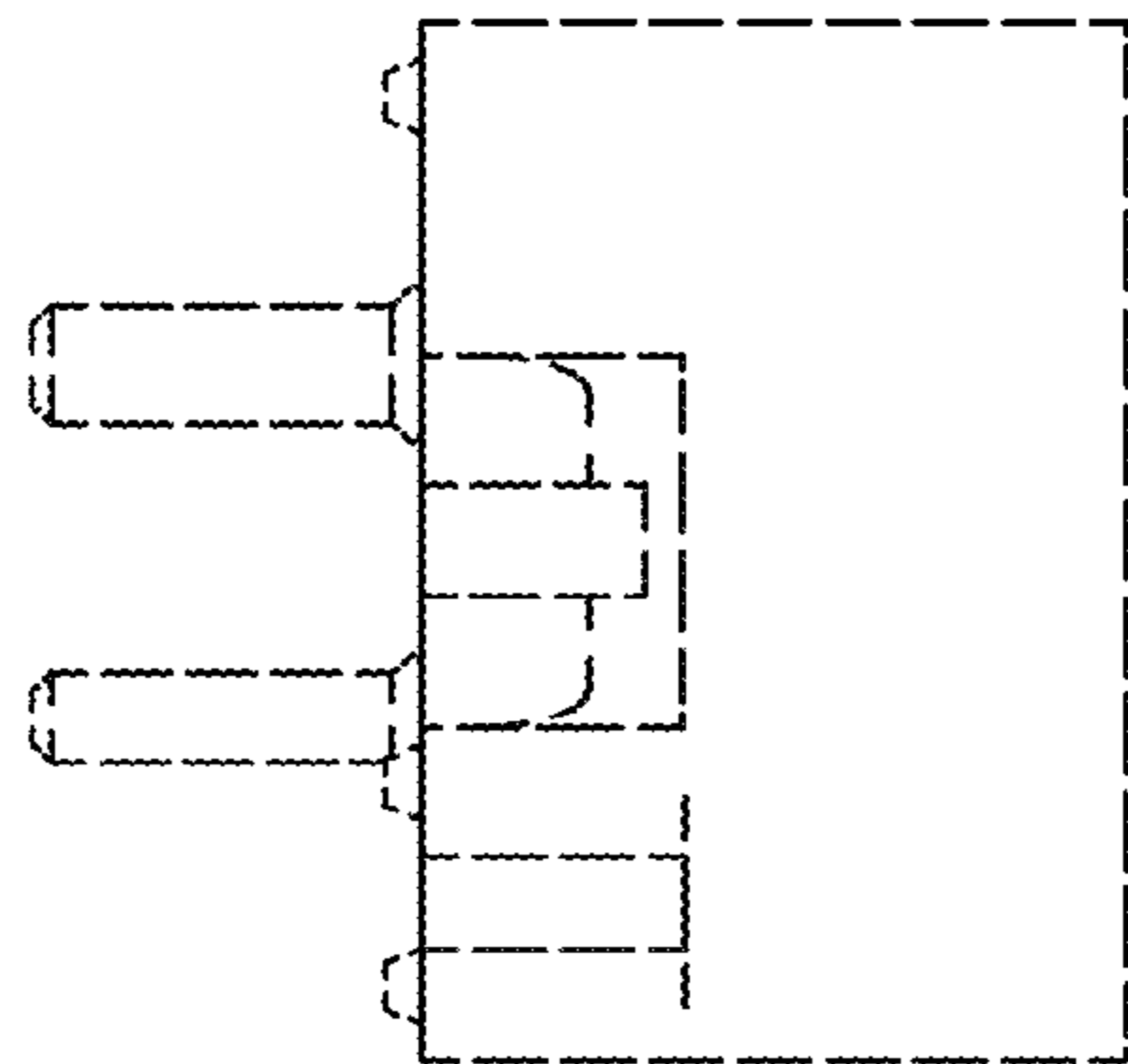


FIG. 7

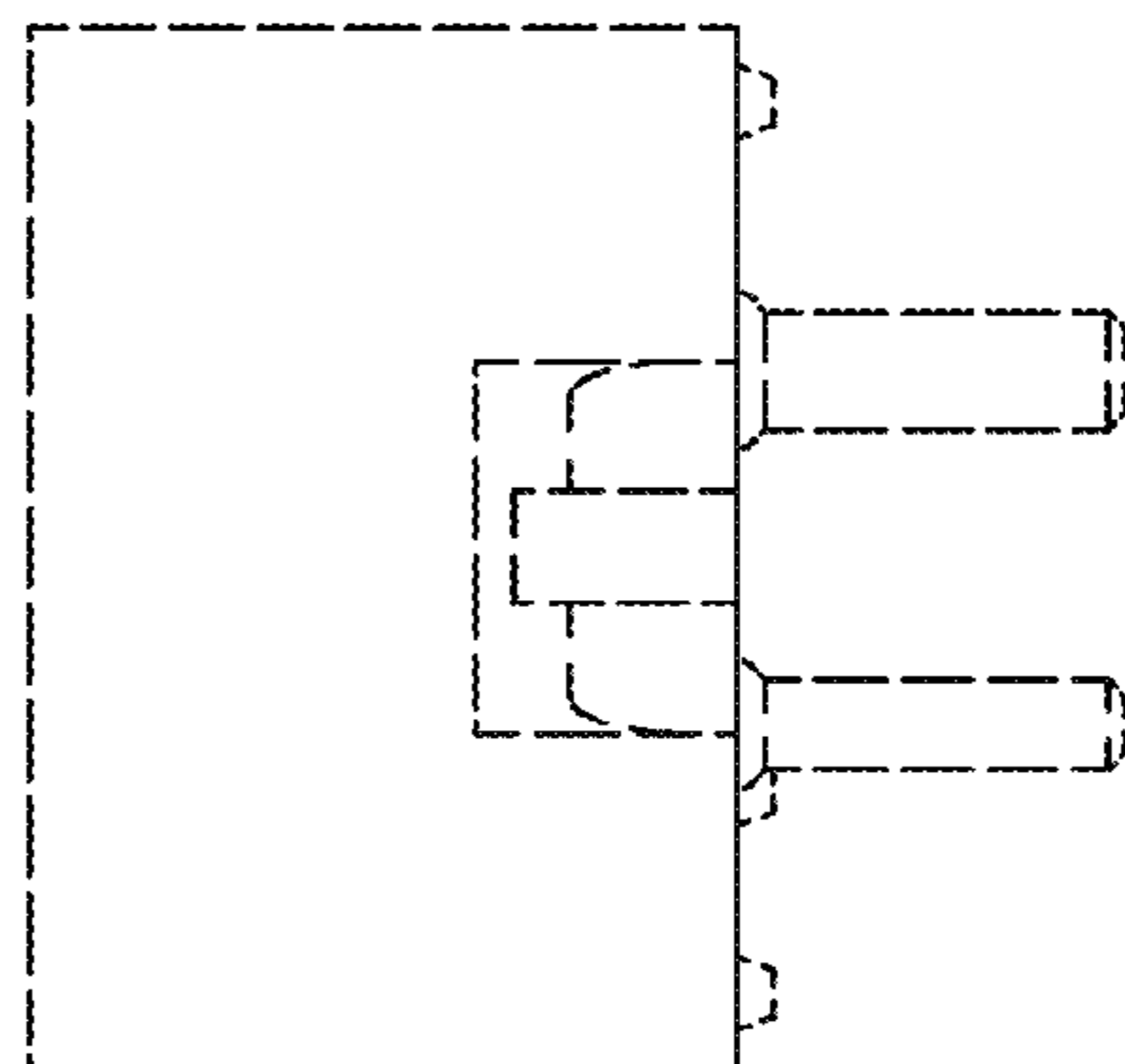


FIG. 8