



US00D756927S

(12) **United States Design Patent**
Horstmann et al.

(10) **Patent No.:** **US D756,927 S**
(45) **Date of Patent:** **** May 24, 2016**

(54) **HOOD CONNECTOR**

(71) Applicant: **HARTING Electric GmbH & Co. KG,**
Espelkamp (DE)

(72) Inventors: **Jens Horstmann,** Espelkamp (DE);
Marcus Göttig, Zhuhai (CN)

(73) Assignee: **HARTING Electric GmbH & Co. KG,**
Espelkamp (DE)

(**) Term: **14 Years**

(21) Appl. No.: **29/518,759**

(22) Filed: **Feb. 26, 2015**

(30) **Foreign Application Priority Data**

Oct. 15, 2014 (EM) 002557777

(51) **LOC (10) Cl.** **13-03**

(52) **U.S. Cl.**
USPC **D13/133**

(58) **Field of Classification Search**
USPC D13/110, 118, 123, 133, 146, 147, 149,
D13/152, 154, 173, 184, 199
CPC H01R 13/627; H01R 43/20; H01R 24/38;
H01R 24/46; H01R 4/00; H01R 13/62;
H01R 13/40; H01R 9/05; H01R 13/52;
H01R 13/213; H01R 13/66; H01R 9/054;
H01R 4/24; H01R 9/26; H01R 9/24; H01R
13/02; H01R 24/00

See application file for complete search history.

(56) **References Cited**

U.S. PATENT DOCUMENTS

D287,004 S *	12/1986	Dickie	D13/156
D360,871 S *	8/1995	Wilson	D13/133
D360,872 S *	8/1995	Wilson	D13/133
5,658,162 A *	8/1997	Harting	H01R 13/62966 439/157
D409,148 S *	5/1999	Yotsutani	D13/147
D427,976 S *	7/2000	Douglass	D13/160
D437,828 S *	2/2001	Corona	D13/146
D445,763 S *	7/2001	Corona	D13/133
D446,186 S *	8/2001	Corona	D13/133
D606,493 S *	12/2009	Yuan	D13/133
7,785,131 B2 *	8/2010	Ferderer	H01R 13/62933 439/157
2005/0079749 A1 *	4/2005	Schmidt	H01R 13/5205 439/275

* cited by examiner

Primary Examiner — Thomas Johannes

Assistant Examiner — Shawn T Gingrich

(74) *Attorney, Agent, or Firm* — Seed IP Law Group PLLC

(57) **CLAIM**

The ornamental design for a hood connector, as shown and described.

DESCRIPTION

FIG. 1 is a front isometric view of a hood connector showing our new design.

FIG. 2 is a left side view thereof.

FIG. 3 is a right side view thereof.

FIG. 4 is a front view thereof.

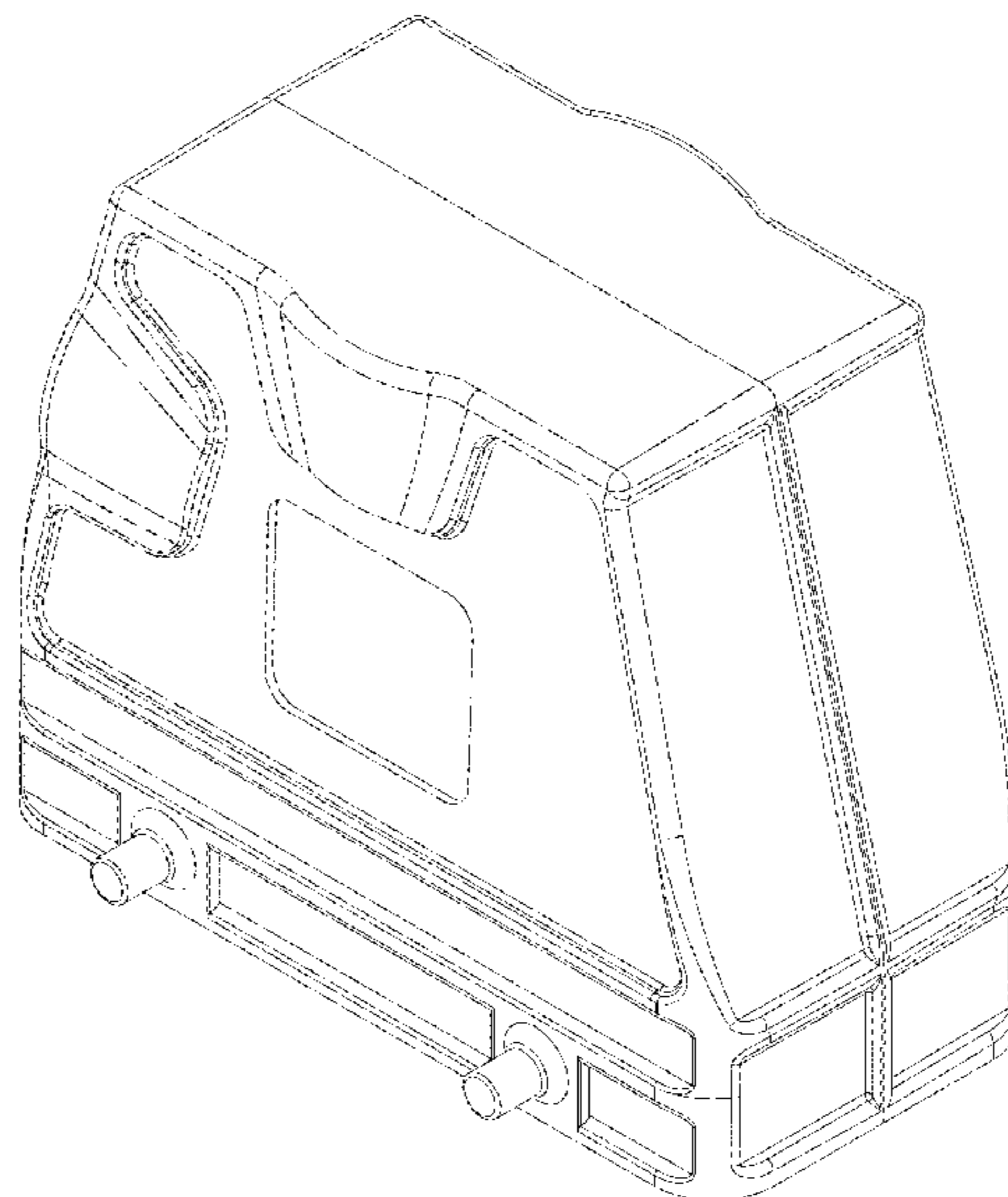
FIG. 5 is a rear view thereof.

FIG. 6 is a top view thereof; and,

FIG. 7 is a bottom view thereof.

The broken line portion of the figure drawings is included to show portions of the article that forms no part of the claimed design.

1 Claim, 7 Drawing Sheets



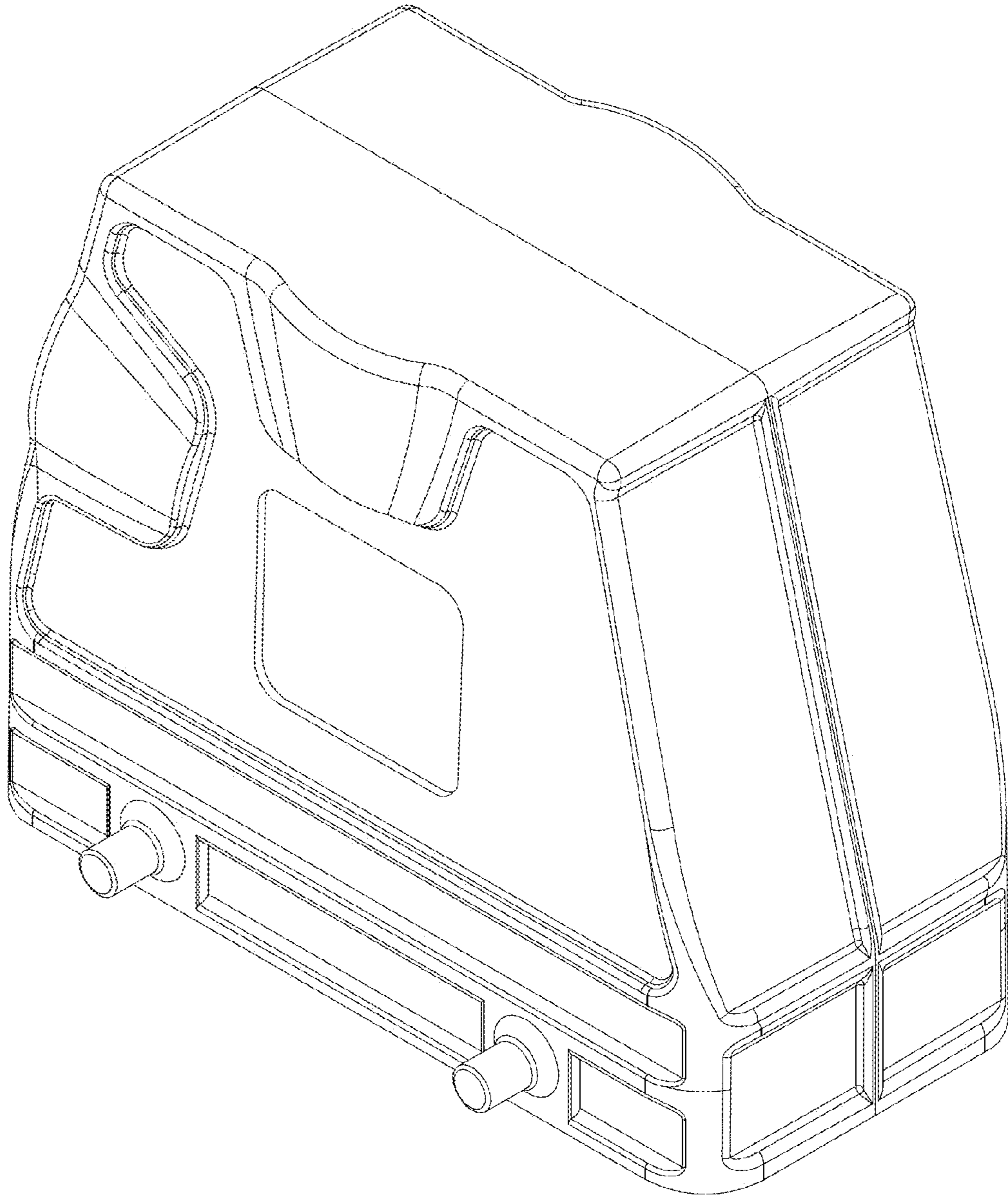


FIG. 1

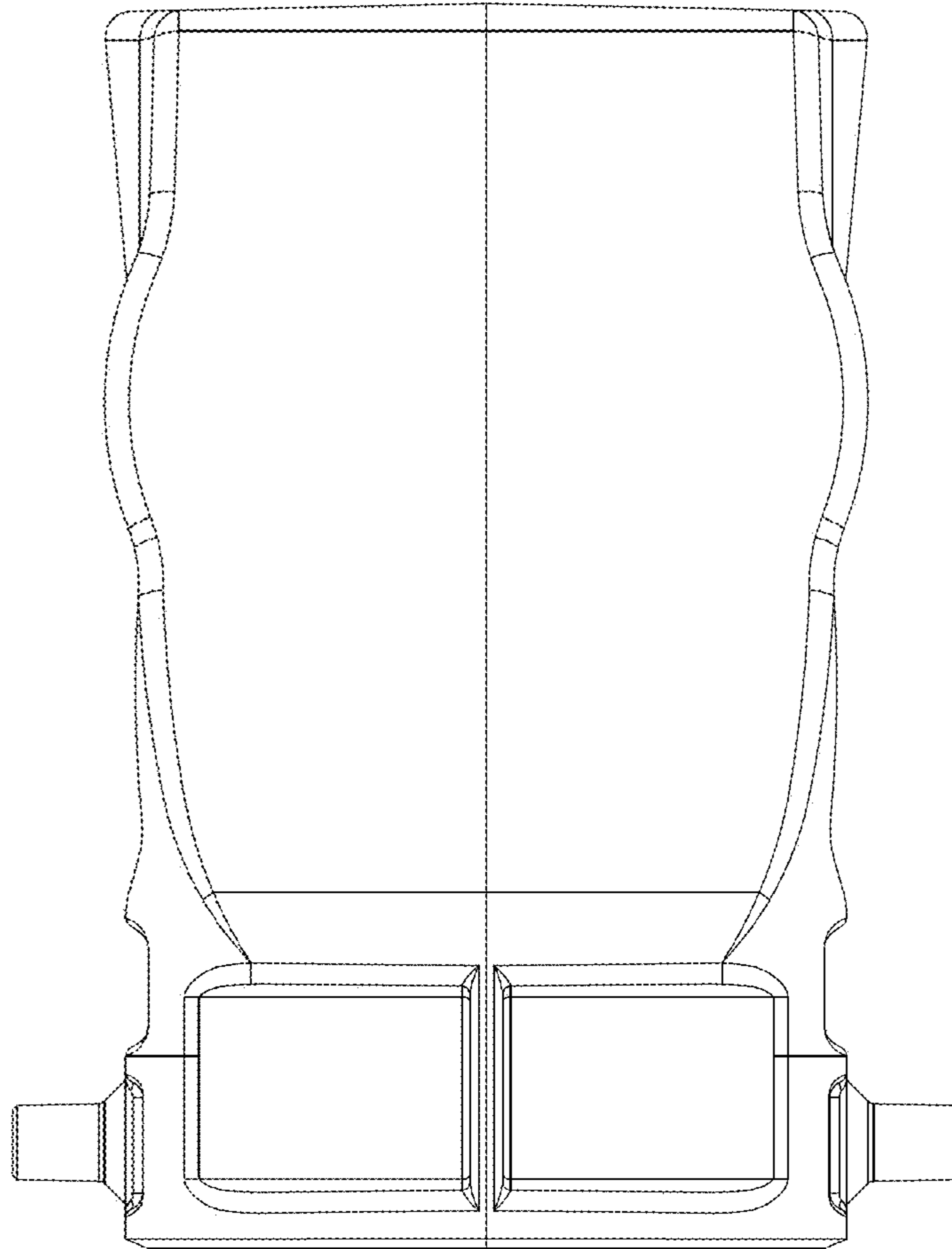


FIG. 2

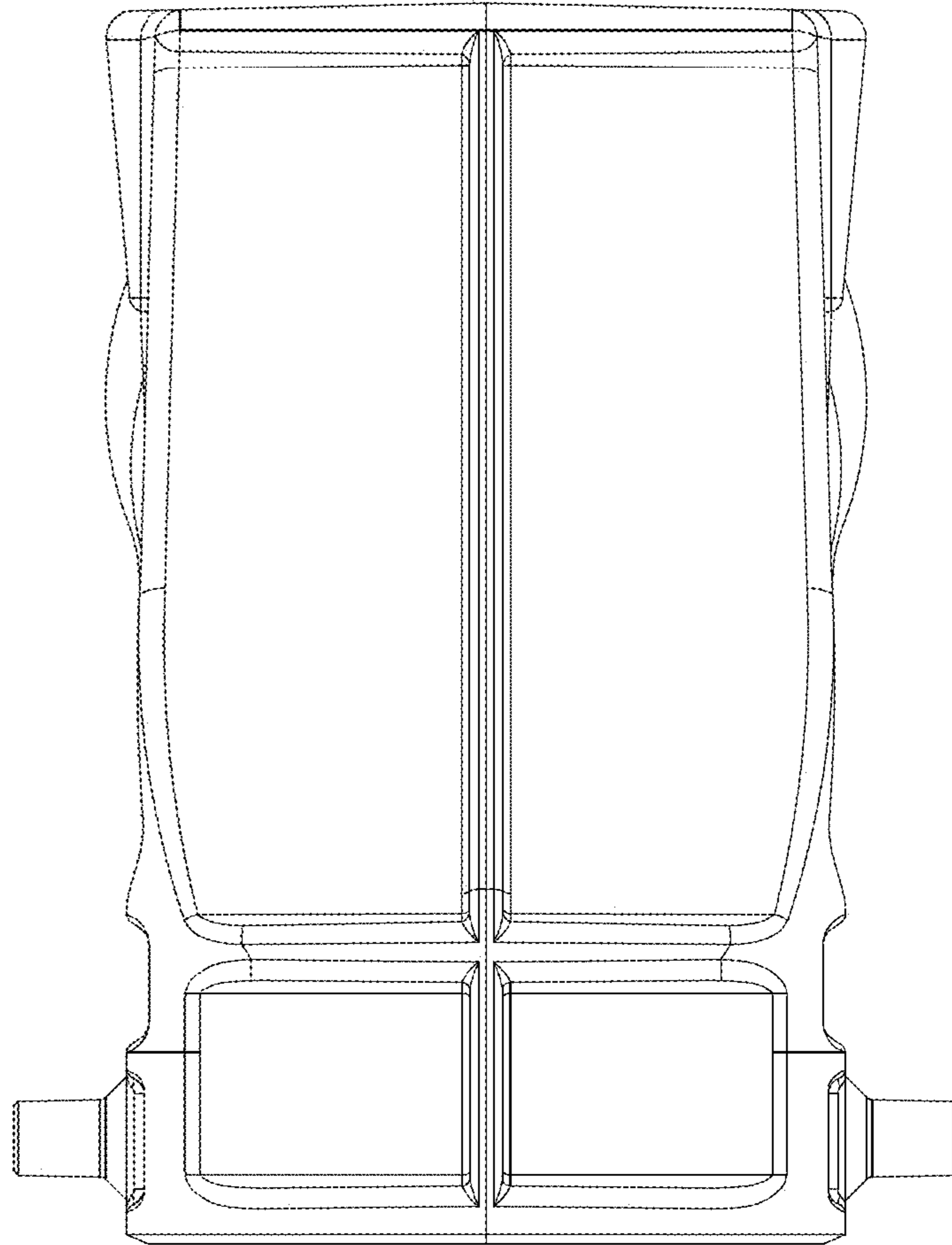


FIG. 3

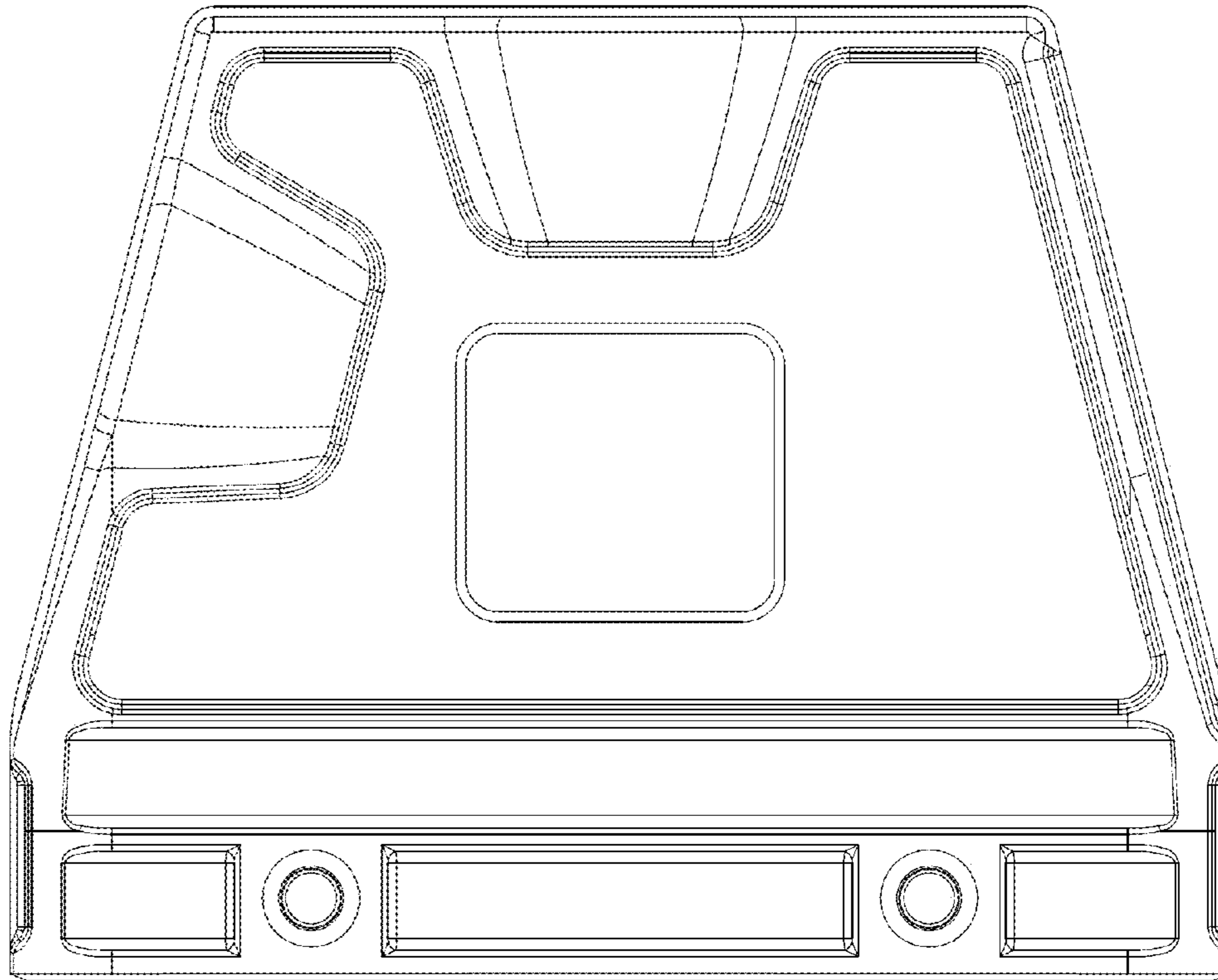


FIG. 4

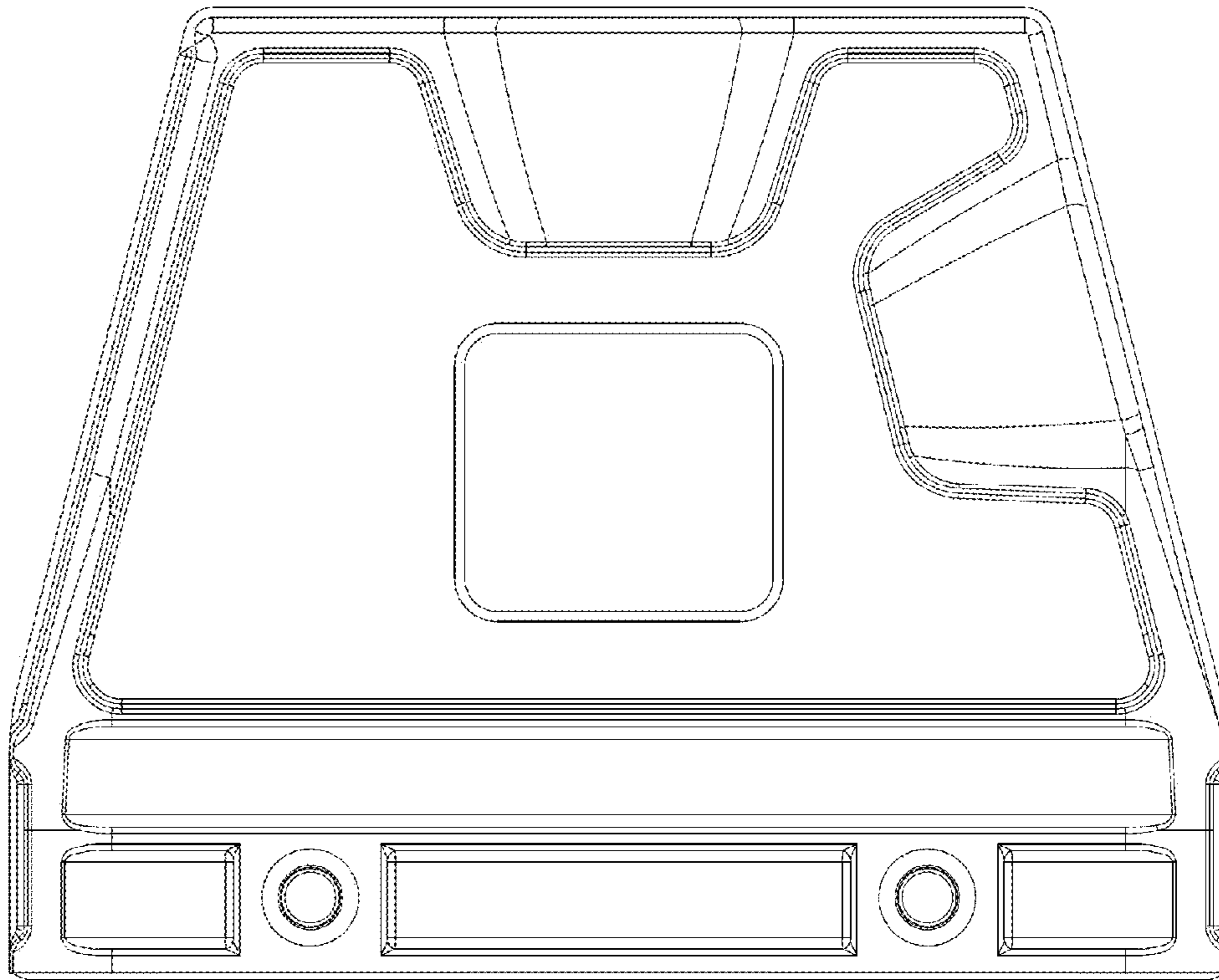


FIG. 5

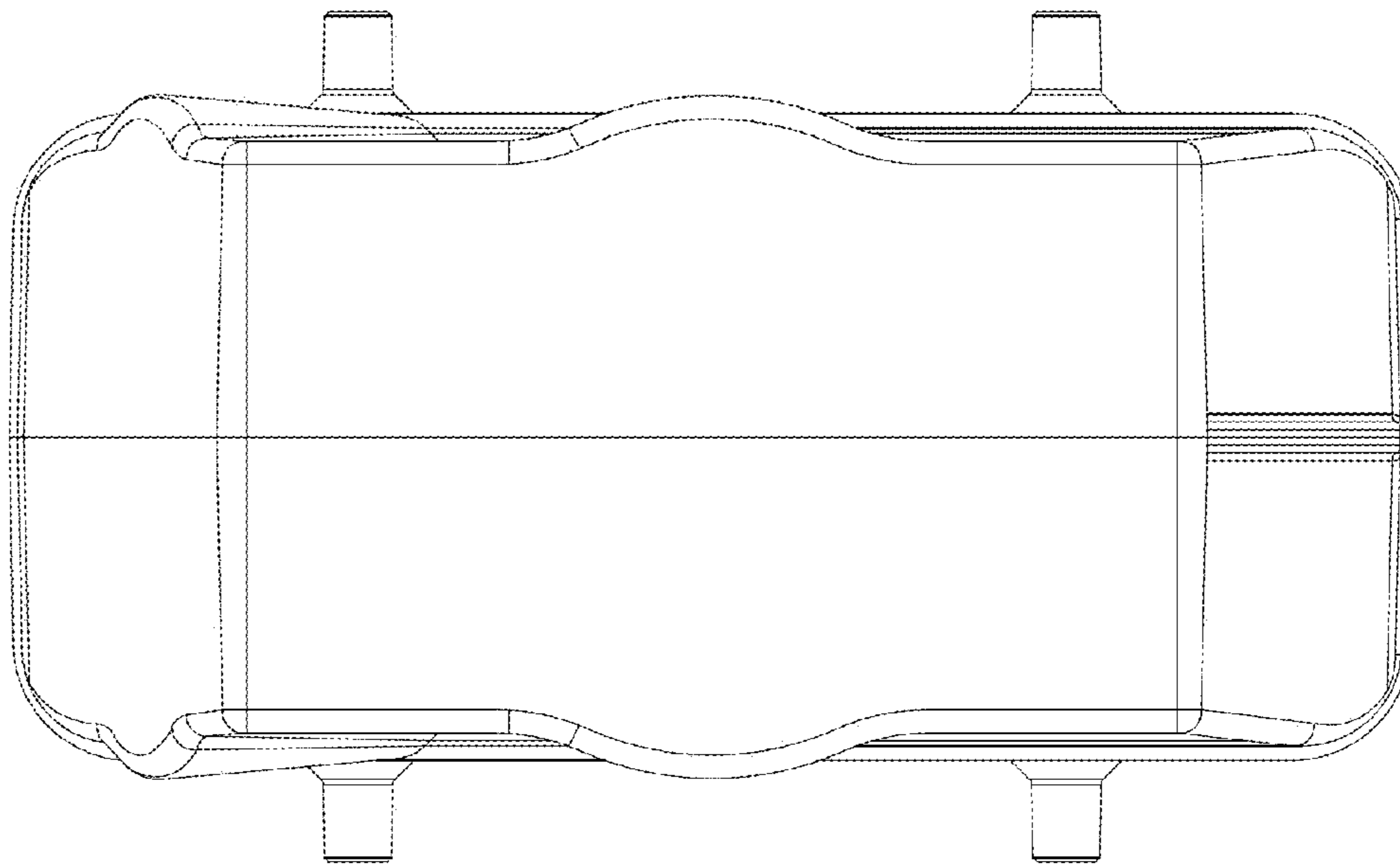


FIG. 6

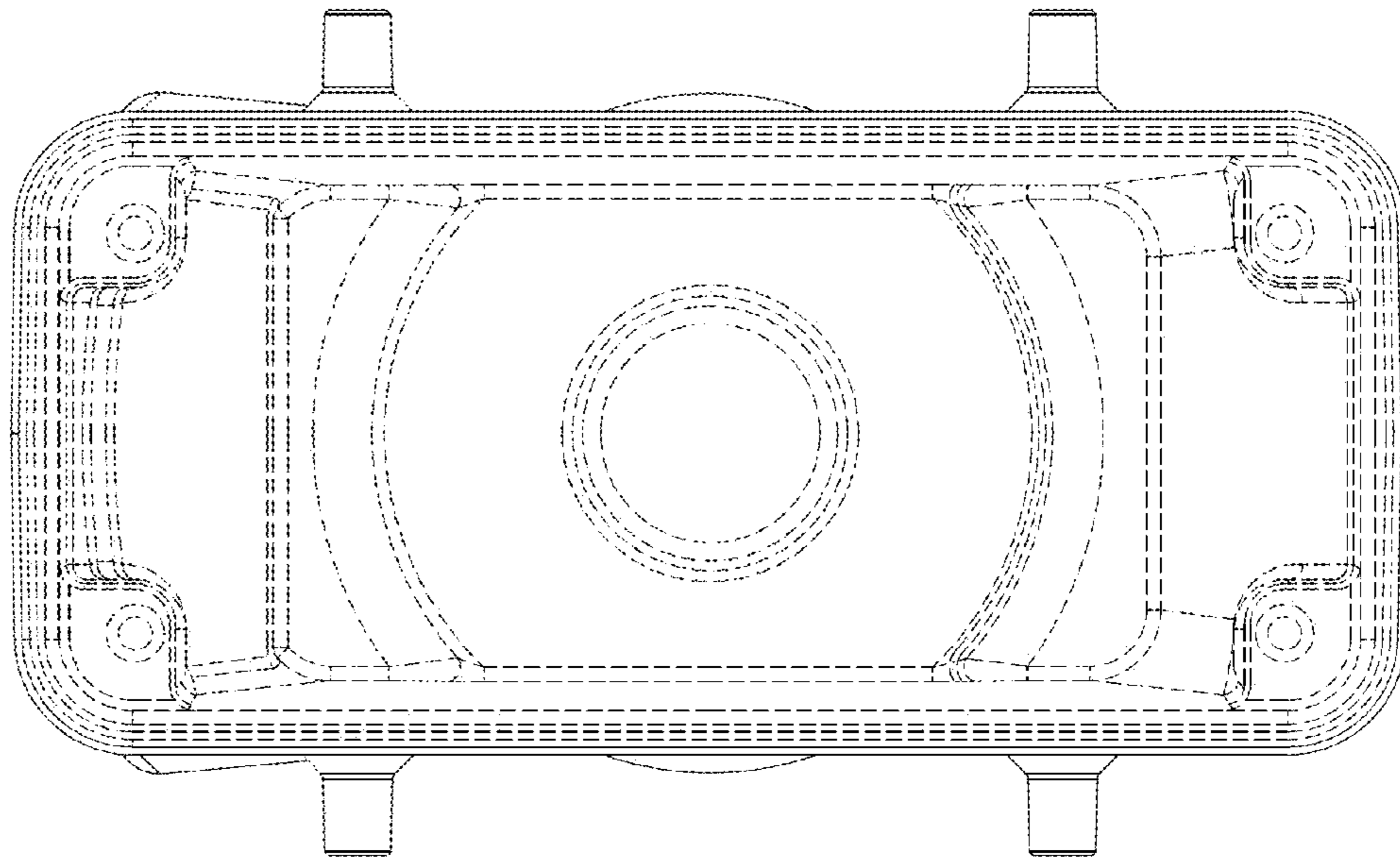


FIG. 7