



US00D756924S

(12) **United States Design Patent**  
**Chung**

(10) **Patent No.:** **US D756,924 S**

(45) **Date of Patent:** **\*\* May 24, 2016**

(54) **CONNECTOR OF LIGHTENING ARRESTER WIRES FOR LIGHTNING ARRESTER EQUIPMENT**

(71) Applicant: **Young-Ki Chung**, Seoul (KR)

(72) Inventor: **Young-Ki Chung**, Seoul (KR)

(73) Assignee: **THE KOREA DEVELOPMENT BANK**, Seoul (KR)

(\*\*) Term: **14 Years**

(21) Appl. No.: **29/506,882**

(22) Filed: **Oct. 21, 2014**

(30) **Foreign Application Priority Data**

Aug. 20, 2014 (KR) ..... 30-2014-0040547

(51) **LOC (10) Cl.** ..... **13-03**

(52) **U.S. Cl.**  
USPC ..... **D13/133**

(58) **Field of Classification Search**  
USPC ..... D13/123, 133, 146, 147, 154, 184, 199  
See application file for complete search history.

(56) **References Cited**

**U.S. PATENT DOCUMENTS**

D51,607 S \* 12/1917 Pickop ..... D13/199  
1,751,572 A \* 3/1930 Beemer ..... H01R 4/5025  
24/136 B

1,941,715 A \* 1/1934 Pfisterer ..... H01R 4/5025  
403/308  
2,418,164 A \* 4/1947 Corley ..... H01R 4/50  
439/784  
5,035,660 A \* 7/1991 Werner ..... H01R 4/5008  
439/796  
D336,070 S \* 6/1993 Clark ..... D13/133  
D424,021 S \* 5/2000 Amin ..... D13/149  
D611,946 S \* 3/2010 Wisniewski ..... D14/480.5  
D657,316 S \* 4/2012 Kiely ..... D13/149

\* cited by examiner

*Primary Examiner* — Daniel Bui

(74) *Attorney, Agent, or Firm* — Li & Cai Intellectual Property (USA) Office

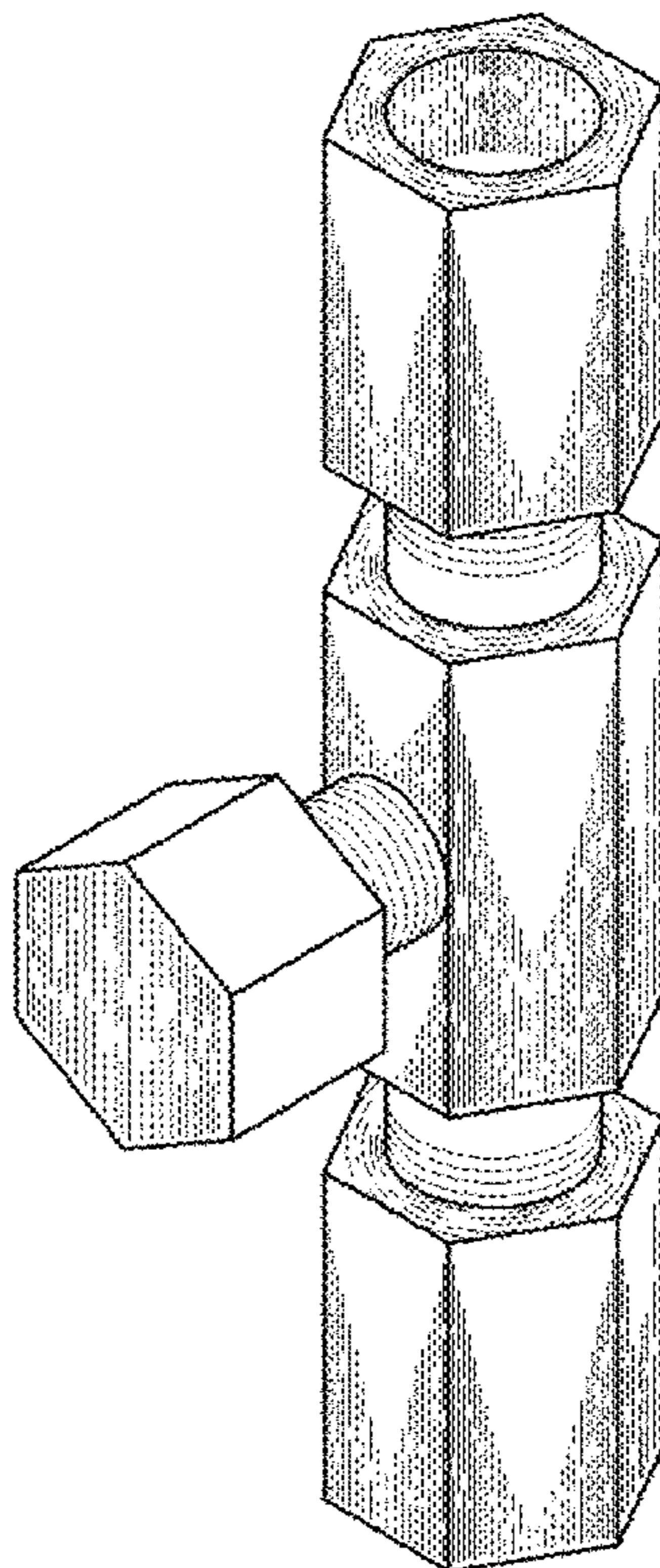
(57) **CLAIM**

The ornamental design for a connector of lightening arrester wires for lightning arrester equipment, as shown and described.

**DESCRIPTION**

FIG. 1 is a top, front and right side perspective view of connector of lightening arrester wires for lightning arrester equipment showing my new design; FIG. 2 is a front side view thereof; FIG. 3 is a rear side view thereof; FIG. 4 is a left side view thereof; FIG. 5 is a right side view thereof; FIG. 6 is a top view thereof; and, FIG. 7 is a bottom view thereof.

**1 Claim, 7 Drawing Sheets**



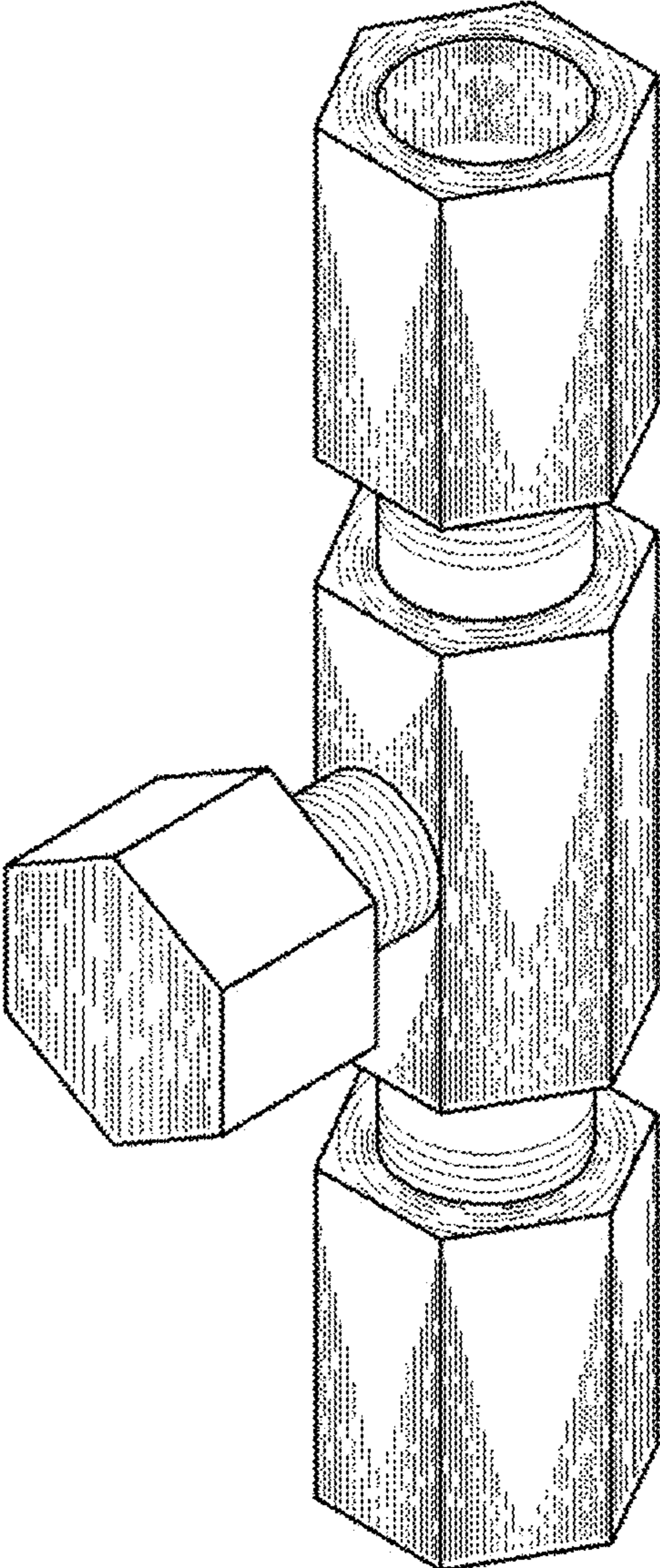


FIG. 1

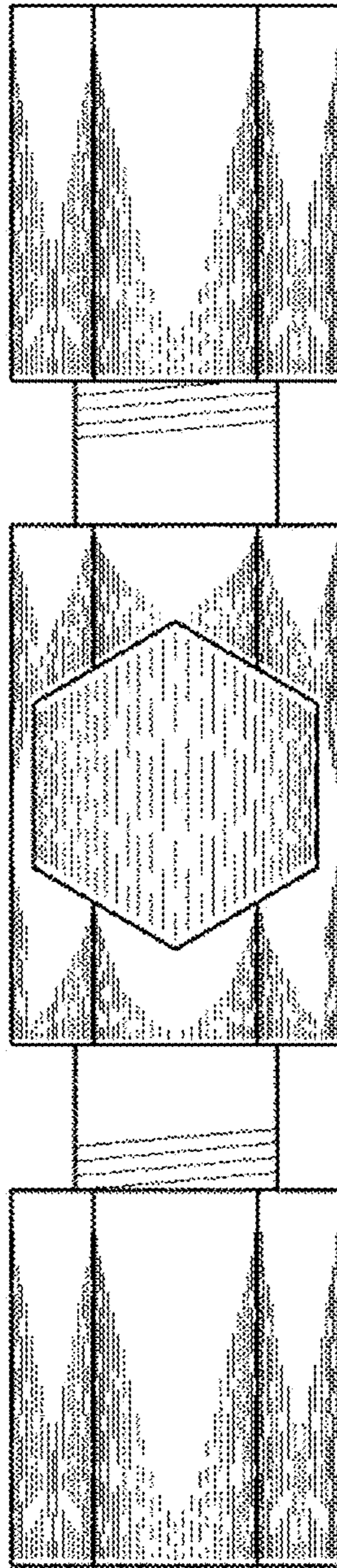


FIG. 2



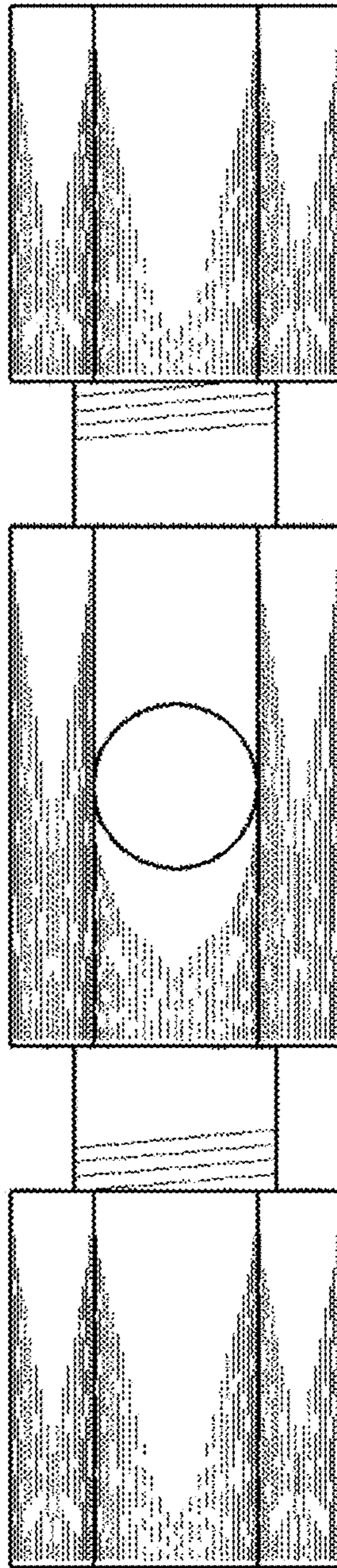


FIG. 3

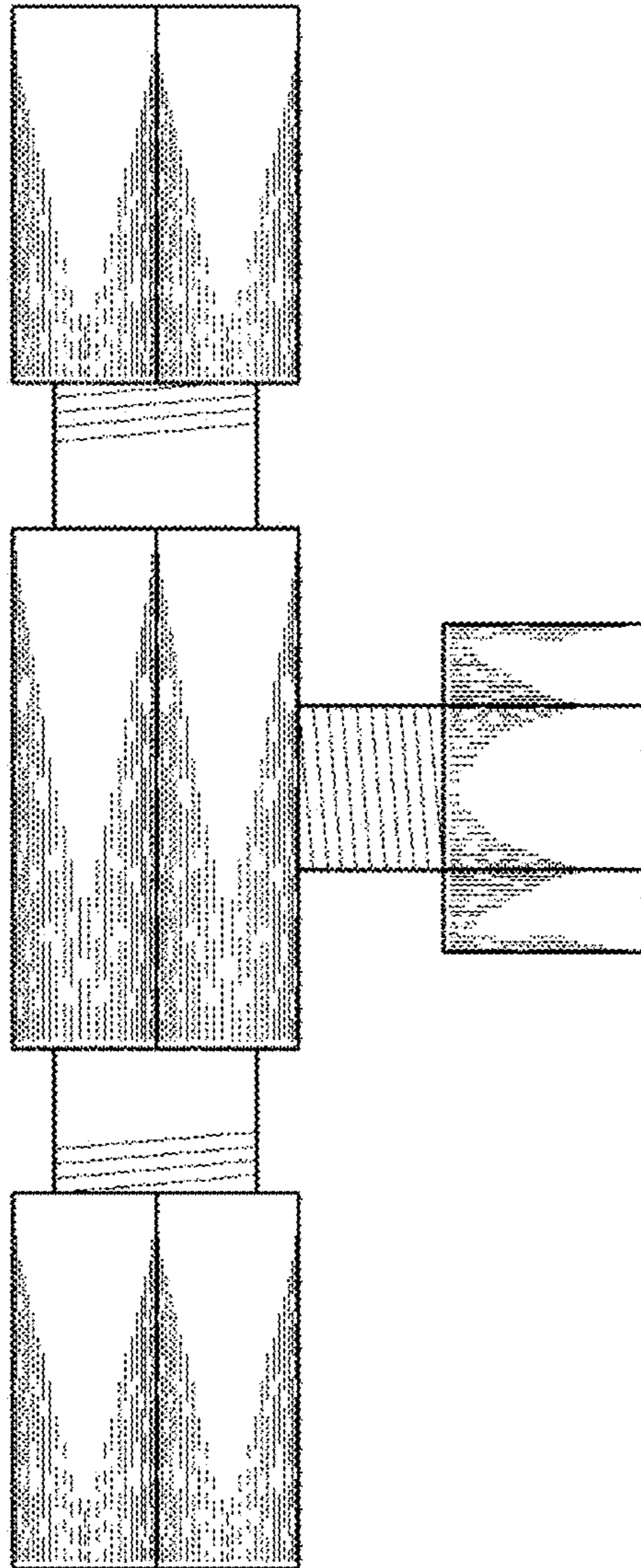


FIG. 4

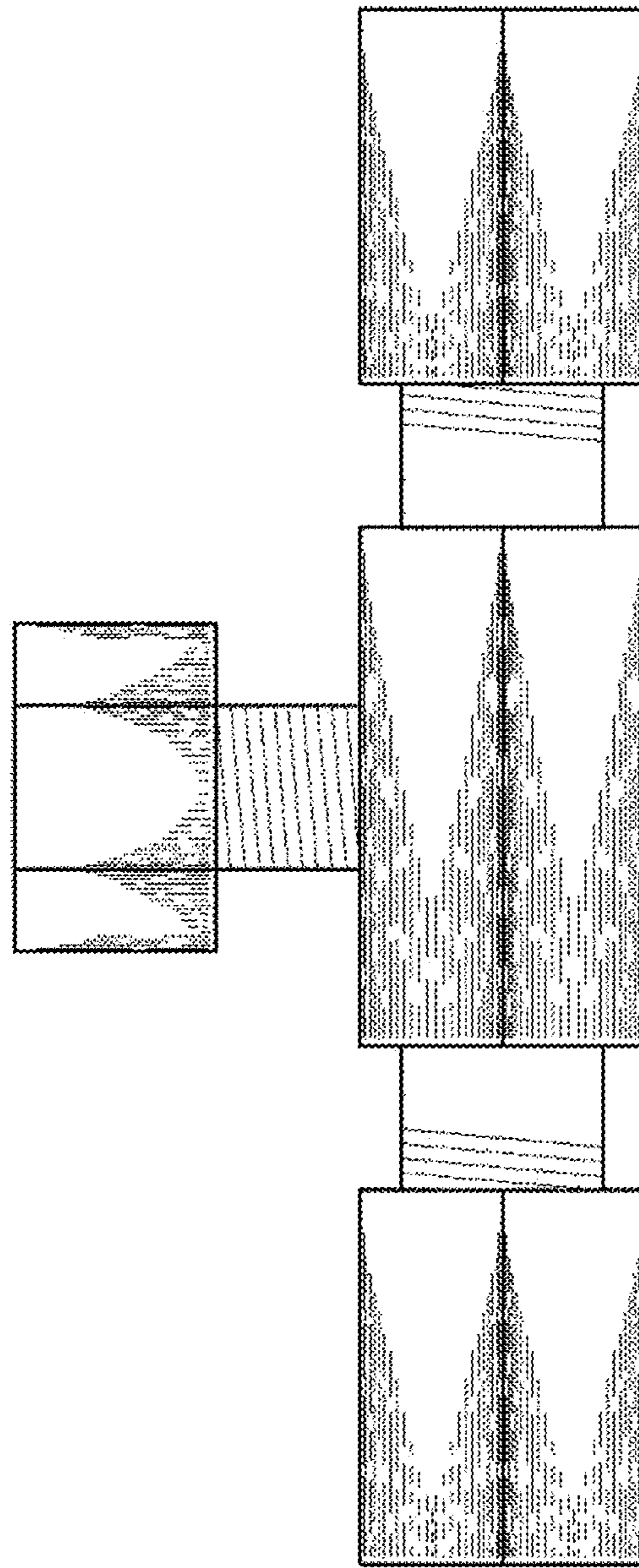


FIG. 5

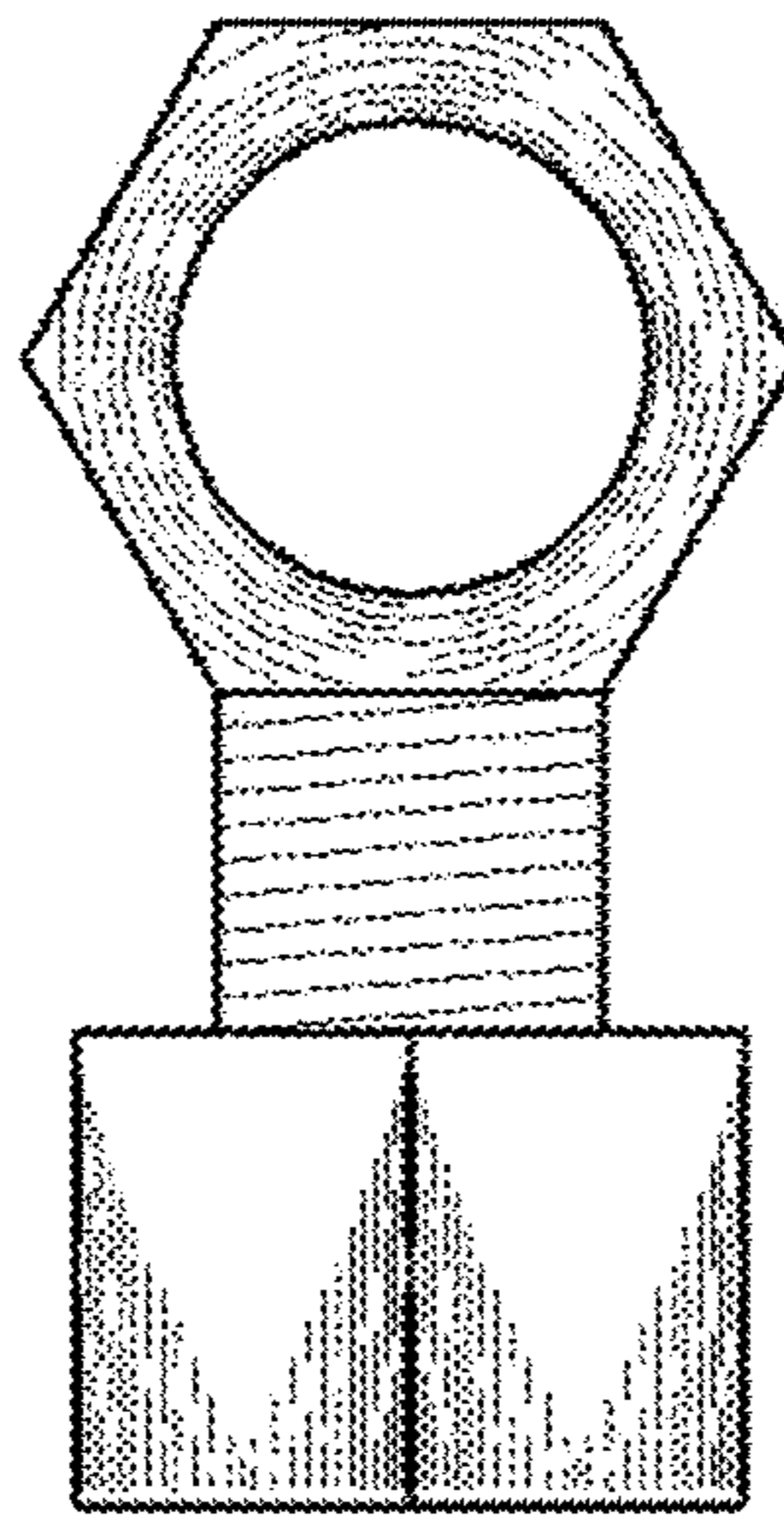


FIG. 6

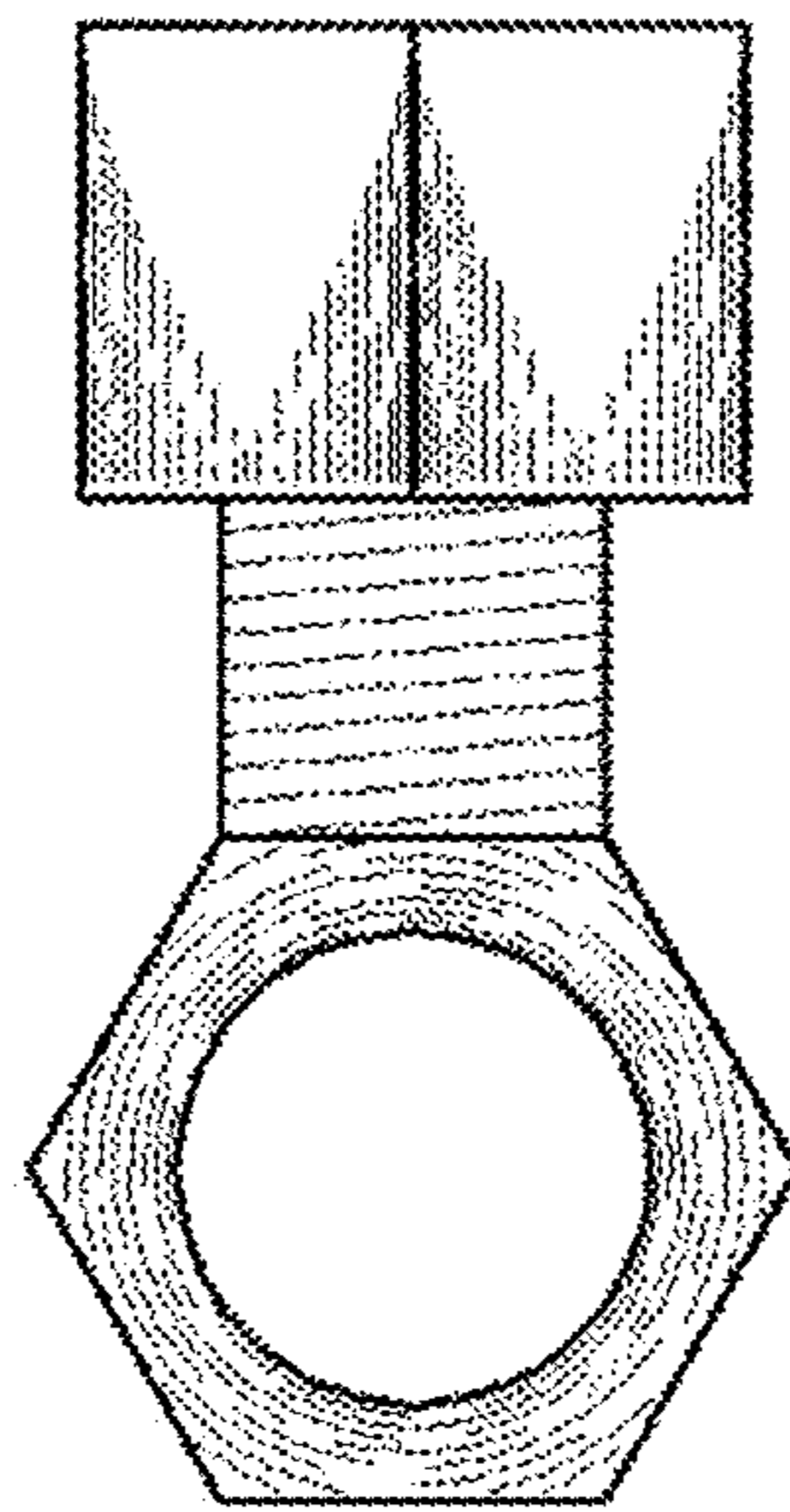


FIG. 7