



US00D756922S

(12) **United States Design Patent**
Herrlich et al.

(10) **Patent No.:** **US D756,922 S**
(45) **Date of Patent:** **** May 24, 2016**

(54) **ROTATING ELECTRICAL MACHINERY
MODULAR AIR GAP CRAWLER**

(71) Applicant: **ABB Technology AG**, Zurich (CH)

(72) Inventors: **Hermann Herrlich**, Lindenhurst, NY (US); **Robert Kodadek**, Long Beach, NY (US); **Gregory Penza**, Old Field, NY (US); **William J. Eakins**, Bloomfield, CT (US); **Gregory Rossano**, Enfield, CT (US); **George Q. Zhang**, Windsor, CT (US); **Thomas A. Fuhlbrigge**, Ellington, CT (US); **Hetal V. Lakhani**, Rajkot (IN); **Cajetan Pinto**, Mumbai (IN); **Sangeun Choi**, Simsbury, CT (US)

(73) Assignee: **ABB Technology AG**, Zurich (CH)

(**) Term: **14 Years**

(21) Appl. No.: **29/481,164**

(22) Filed: **Feb. 3, 2014**

(51) **LOC (10) Cl.** **13-01**

(52) **U.S. Cl.**
USPC **D13/112**

(58) **Field of Classification Search**
USPC D13/101, 110, 112, 199; D21/539, 548, D21/549, 550, 551, 552, 562, 580, 581; 446/431, 433, 447, 456, 465; 455/344; 180/9.1-9.6, 14.1-14.5; 33/503, 556
See application file for complete search history.

(56) **References Cited**

U.S. PATENT DOCUMENTS

4,194,584 A * 3/1980 Kress et al. 180/9.23
D295,994 S * 5/1988 Matsumoto D21/582
7,464,429 B2 * 12/2008 Stoltz 15/1.7

7,637,831 B2 * 12/2009 Araki 475/28
7,654,347 B2 * 2/2010 Franceschi et al. 180/9.32
7,866,421 B2 * 1/2011 Moore et al. 180/9.21
7,891,447 B2 * 2/2011 Carlson et al. 180/9.44
8,007,221 B1 * 8/2011 More et al. 414/680
8,216,020 B2 * 7/2012 Zimet 446/433
8,378,691 B2 * 2/2013 Moser et al. 324/545
D691,677 S * 10/2013 Bleyer et al. D21/548
8,574,021 B2 * 11/2013 Mayer et al. 446/433
8,644,991 B2 * 2/2014 Ohm et al. 700/250
2002/0104693 A1 * 8/2002 Moore et al. 180/9.1
2004/0173116 A1 * 9/2004 Ghorbel et al. 104/138.2
2007/0194540 A1 * 8/2007 Caspi et al. 280/5.22
2008/0188982 A1 * 8/2008 Imus et al. 700/245
2011/0036649 A1 * 2/2011 Cho et al. 180/9.5
2013/0078888 A1 * 3/2013 Mayer et al. 446/433
2014/0076642 A1 * 3/2014 Gettings et al. 180/9.1
2014/0360811 A1 * 12/2014 Ross et al. 182/63.1

* cited by examiner

Primary Examiner — Derrick Holland

Assistant Examiner — Jennifer O King

(74) *Attorney, Agent, or Firm* — Taft Stettinus & Hollister LLP

(57) **CLAIM**

We claim the ornamental design for a rotating electrical machinery modular air gap crawler, as shown and described.

DESCRIPTION

FIG. 1 is a front, left side and top perspective view of a rotating electrical machinery modular air gap crawler showing our new design;

FIG. 2 is a back elevational view thereof;

FIG. 3 is a front elevational view thereof;

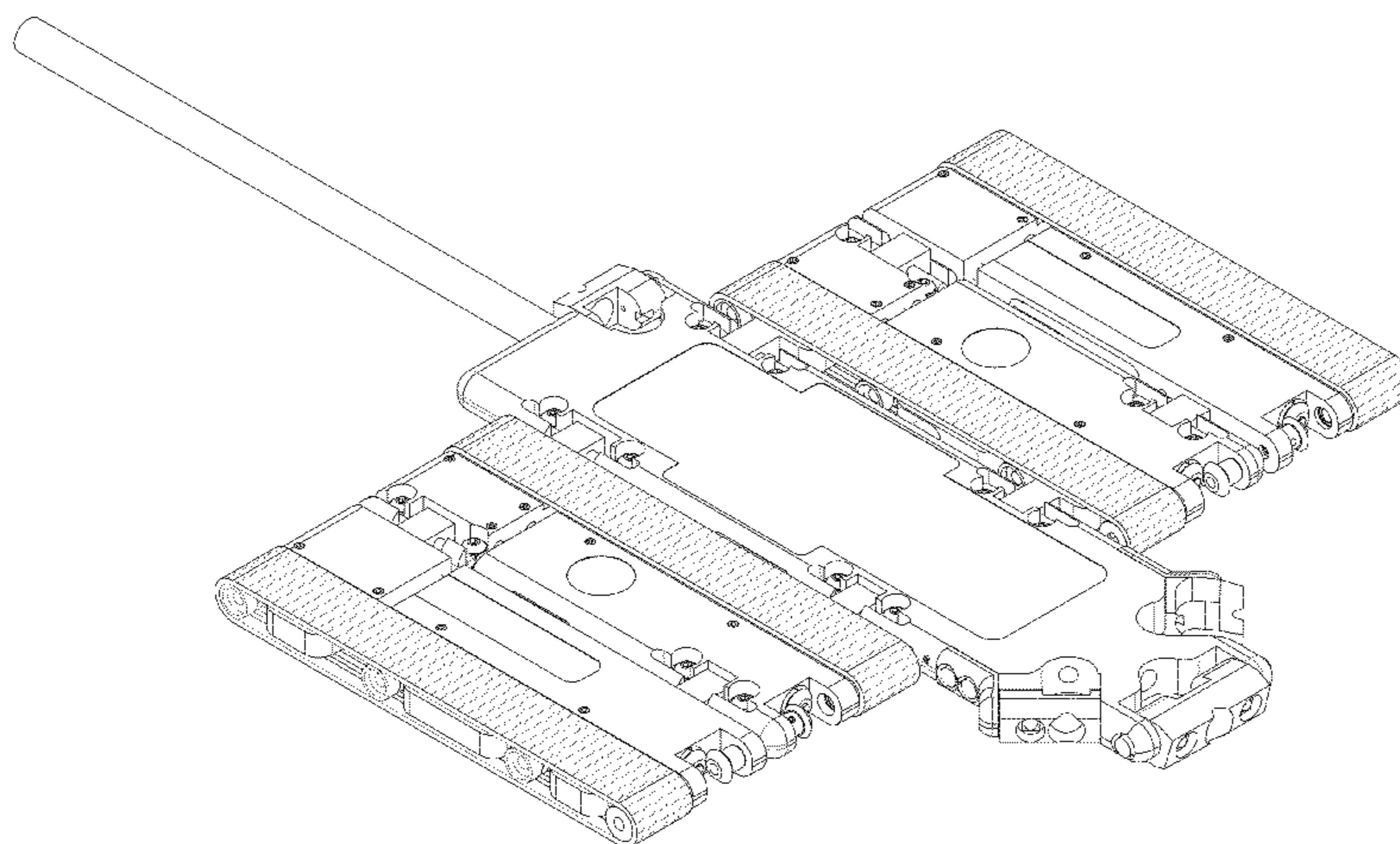
FIG. 4 is a left side elevational view thereof;

FIG. 5 is a right side elevational view thereof;

FIG. 6 is a top plan view thereof; and,

FIG. 7 is a bottom plan view of thereof.

1 Claim, 7 Drawing Sheets



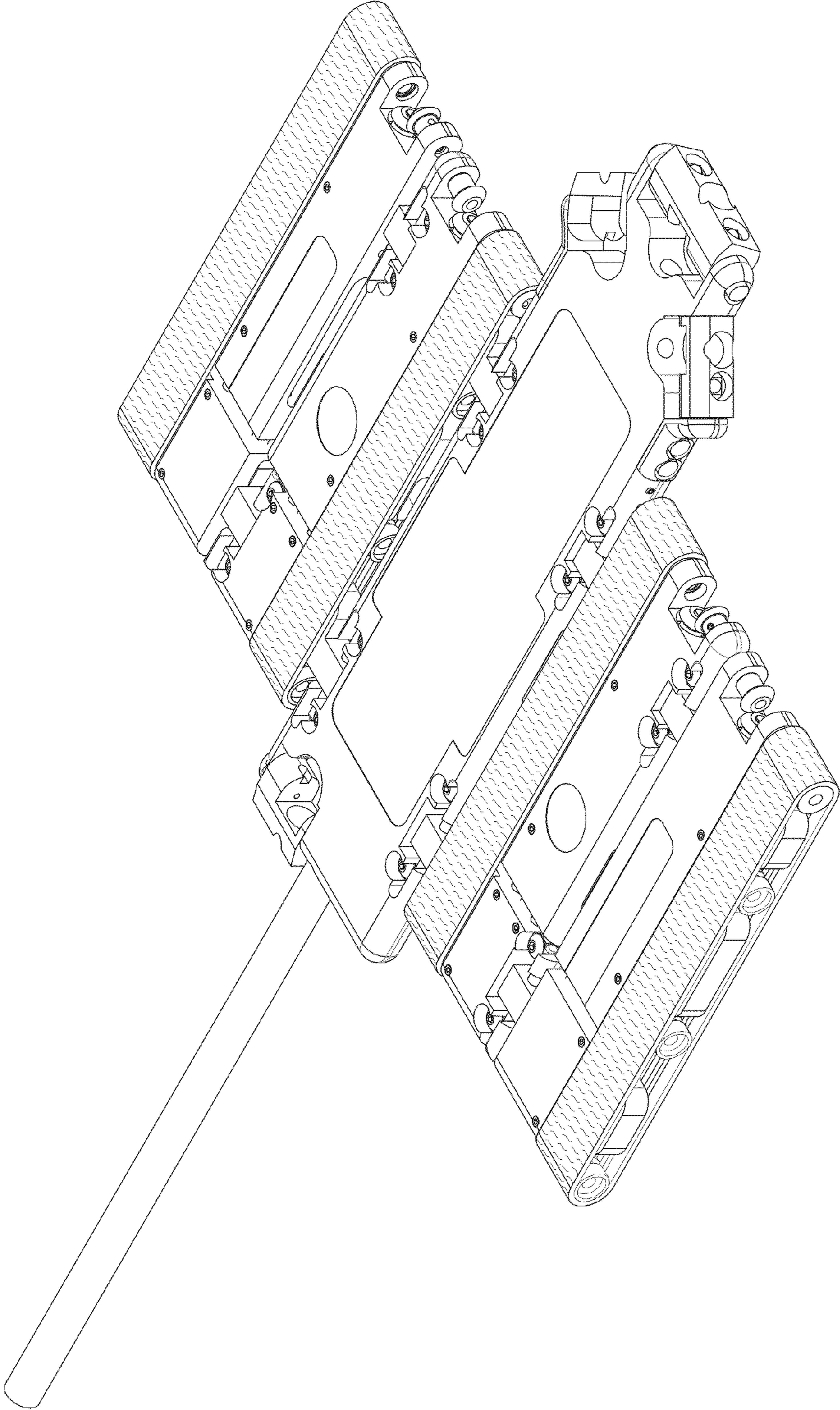


FIG. 1



FIG. 2

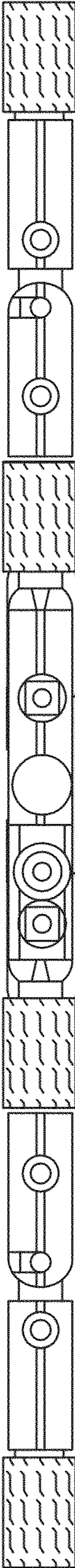


FIG. 3

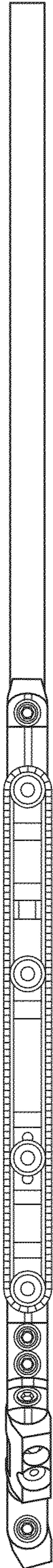


FIG. 5

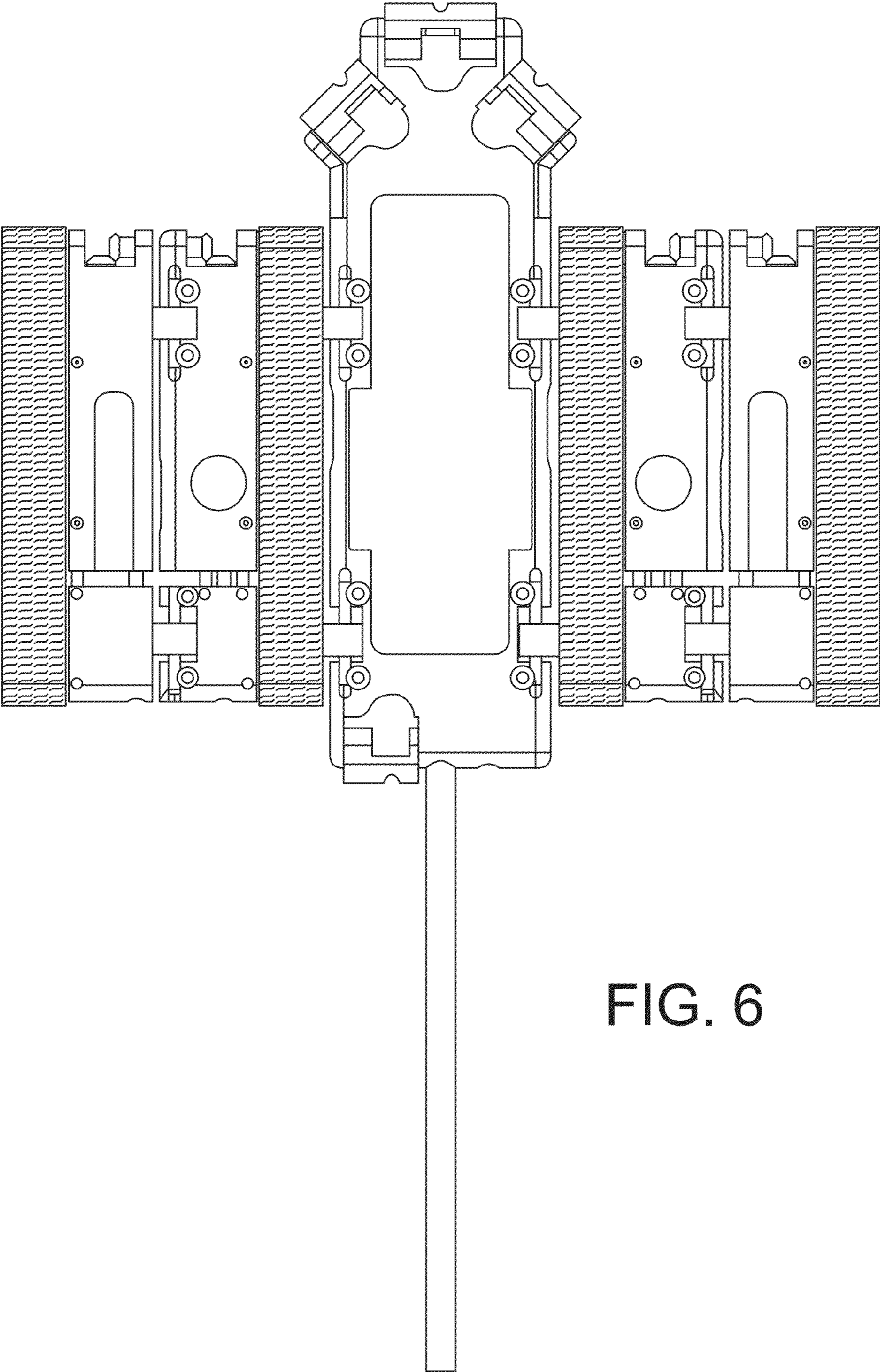


FIG. 6

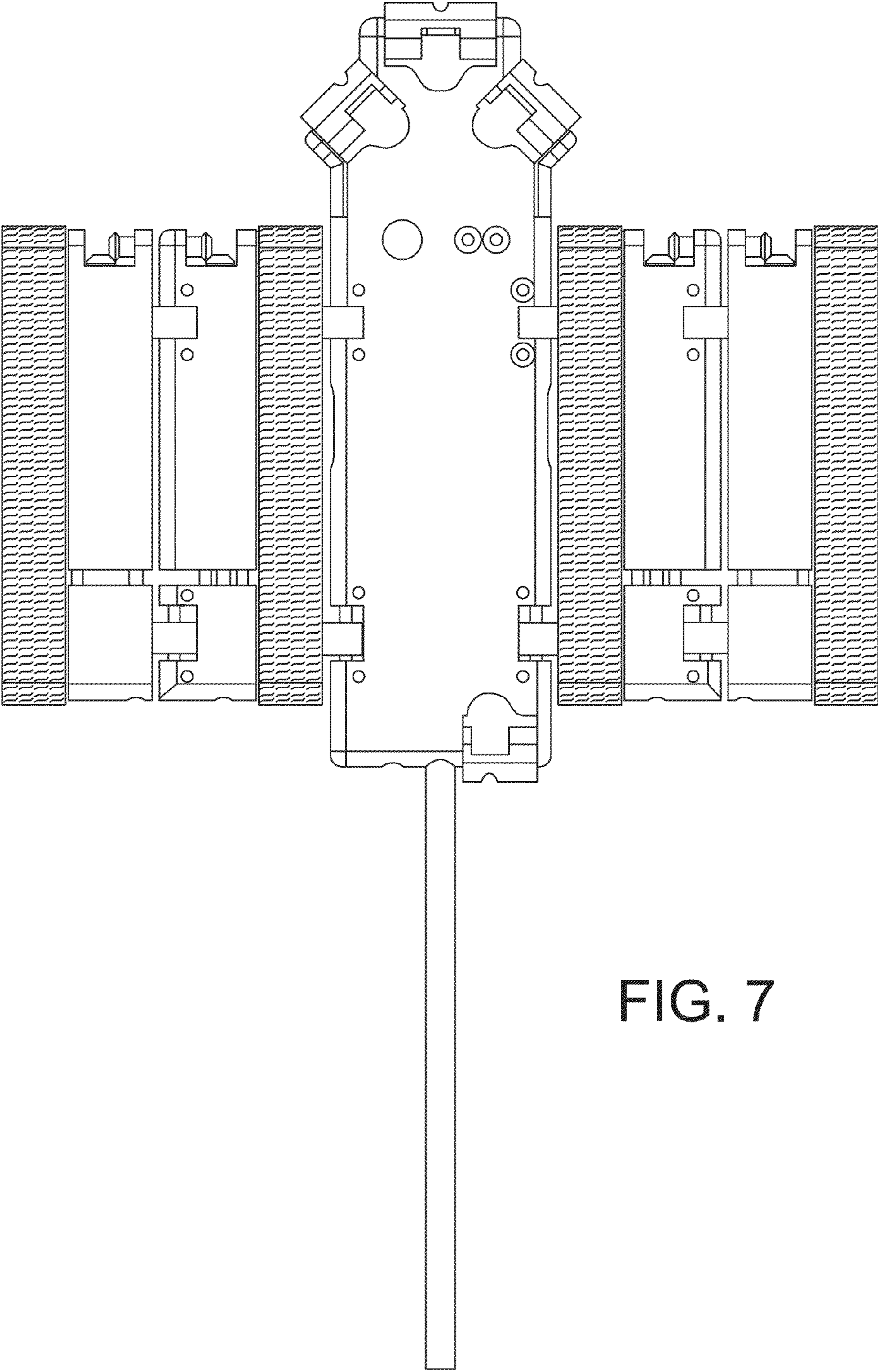


FIG. 7