



US00D756921S

(12) **United States Design Patent**
Benn et al.

(10) **Patent No.:** **US D756,921 S**

(45) **Date of Patent:** **** May 24, 2016**

(54) **INVERTER**

(71) Applicant: **SMA Solar Technology AG**, Niestetal (DE)

(72) Inventors: **Alexander Benn**, Heidelberg (DE);
Christof Wetzel, Remchingen (DE)

(73) Assignee: **SMA Solar Technology AG**, Niestetal (DE)

(**) Term: **14 Years**

(21) Appl. No.: **29/503,924**

(22) Filed: **Sep. 30, 2014**

(30) **Foreign Application Priority Data**

Mar. 31, 2014 (EP) 002436667-0003

(51) **LOC (10) Cl.** **13-02**

(52) **U.S. Cl.**
USPC **D13/110**

(58) **Field of Classification Search**
USPC D13/110, 103, 107, 108, 118, 119, 123,
D13/133, 137.1, 184, 199; D14/188, 240,
D14/251, 356, 432, 433, 434; 174/59;
220/3.8, 4.02; 320/103, 113, 108, 111;
307/104, 150; 361/679.01, 679.21,
361/679.54, 724
CPC Y10T 307/625; H01R 13/447; H01R
13/6675; H01R 31/065; H02J 5/005; H02M
1/10
See application file for complete search history.

(56) **References Cited**

U.S. PATENT DOCUMENTS

D298,824 S * 12/1988 Kondo et al. D13/110
5,969,943 A * 10/1999 Oyamada 361/695
D562,765 S * 2/2008 Tsuzuki et al. D13/110
D604,239 S * 11/2009 Engel et al. D13/110
D610,540 S * 2/2010 Engel et al. D13/110

D616,815 S * 6/2010 Jadraque Aznarez
et al. D13/110
D627,725 S * 11/2010 Gebert D13/118
D635,106 S * 3/2011 Cheng et al. D13/184
D644,603 S * 9/2011 Liu D13/102
8,035,045 B2 * 10/2011 Bremicker et al. 200/43.04
D653,129 S * 1/2012 Pages D10/49
D667,784 S * 9/2012 Choi D13/102
D669,847 S * 10/2012 Jadraque Aznarez
et al. D13/102
D669,852 S * 10/2012 Eppinger D13/110
D677,222 S * 3/2013 Haapaniemi et al. D13/110
8,520,381 B2 * 8/2013 Hobein et al. 361/679.54
D705,727 S * 5/2014 Hensel D13/110
D709,449 S * 7/2014 Oba et al. D13/110
D724,535 S * 3/2015 Wang et al. D13/110
D724,536 S * 3/2015 Wang et al. D13/110
D733,654 S * 7/2015 Pallasmaa et al. D13/123
2007/0160194 A1 * 7/2007 Vo et al. 379/413.02
2008/0302643 A1 * 12/2008 Victor et al. 200/331
2011/0069451 A1 * 3/2011 Hobein et al. 361/695

* cited by examiner

Primary Examiner — Derrick Holland

Assistant Examiner — Jennifer O King

(74) *Attorney, Agent, or Firm* — Slater Matsil, LLP

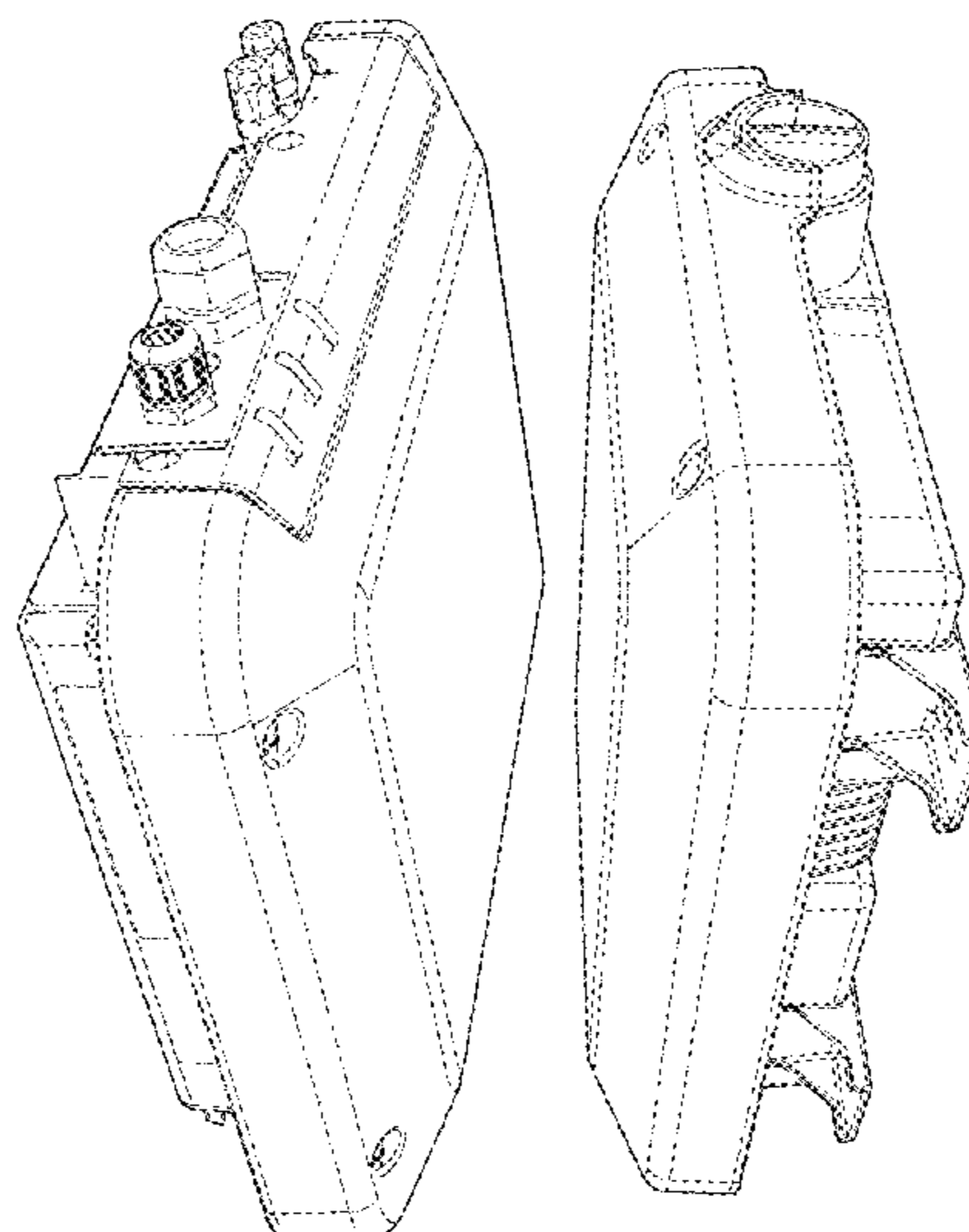
(57) **CLAIM**

The ornamental design for an inverter, as shown and described.

DESCRIPTION

FIG. 1 is a front view of an inverter;
FIG. 2 is a right side view thereof;
FIG. 3 is a left side view thereof;
FIG. 4 is a bottom view thereof;
FIG. 5 is a top view thereof;
FIG. 6 is a front perspective view thereof; and,
FIG. 7 is a back perspective view thereof.
The broken line portion of the figure drawings is included to show unclaimed subject matter only and forms no part of the claimed design.

1 Claim, 7 Drawing Sheets



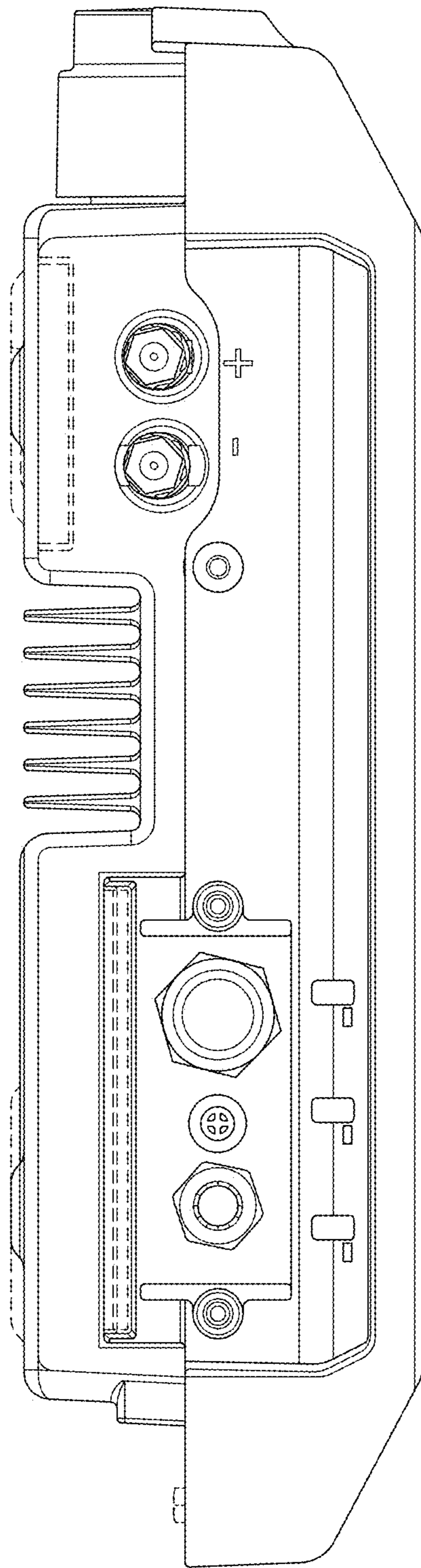


FIG. 1

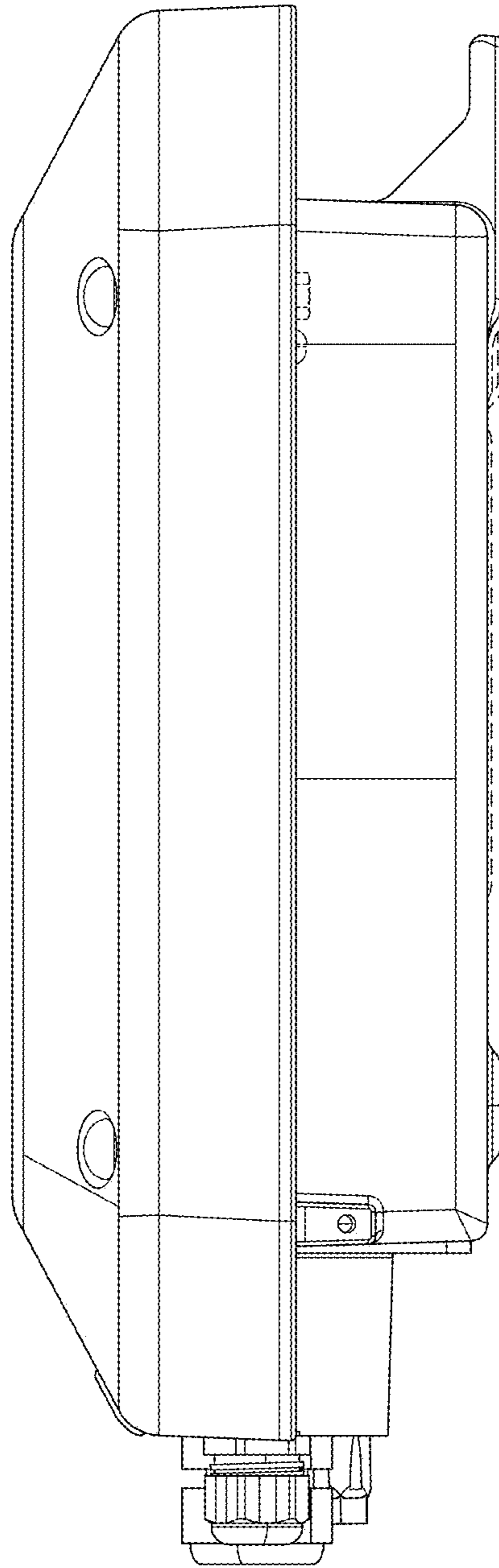


FIG. 2

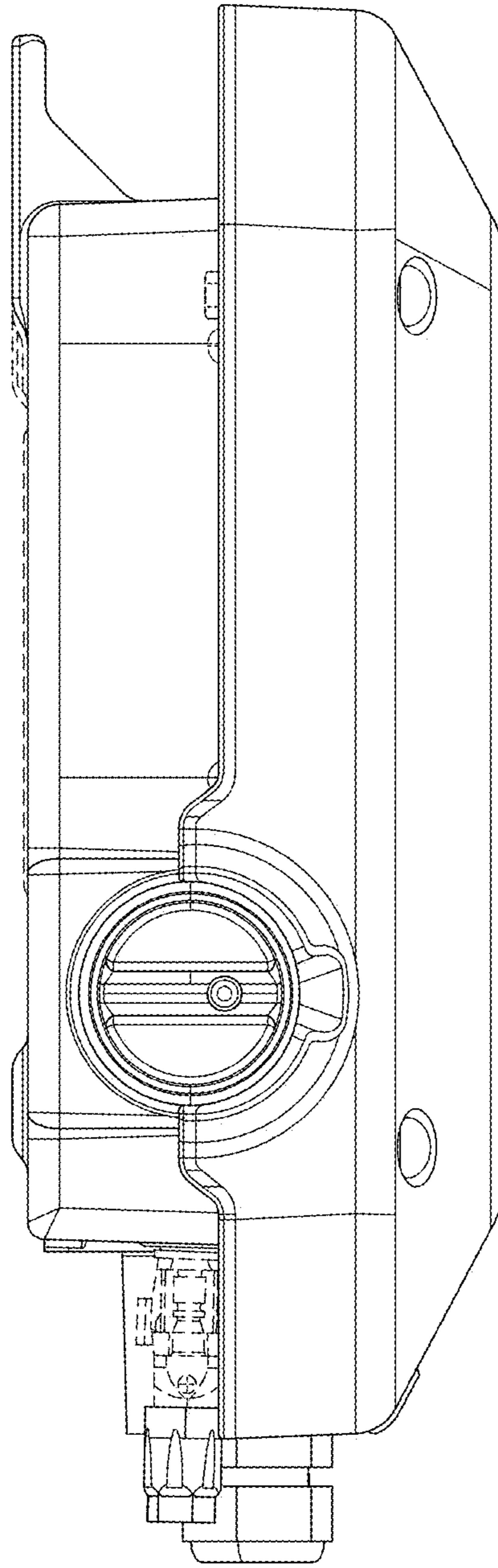


FIG. 3

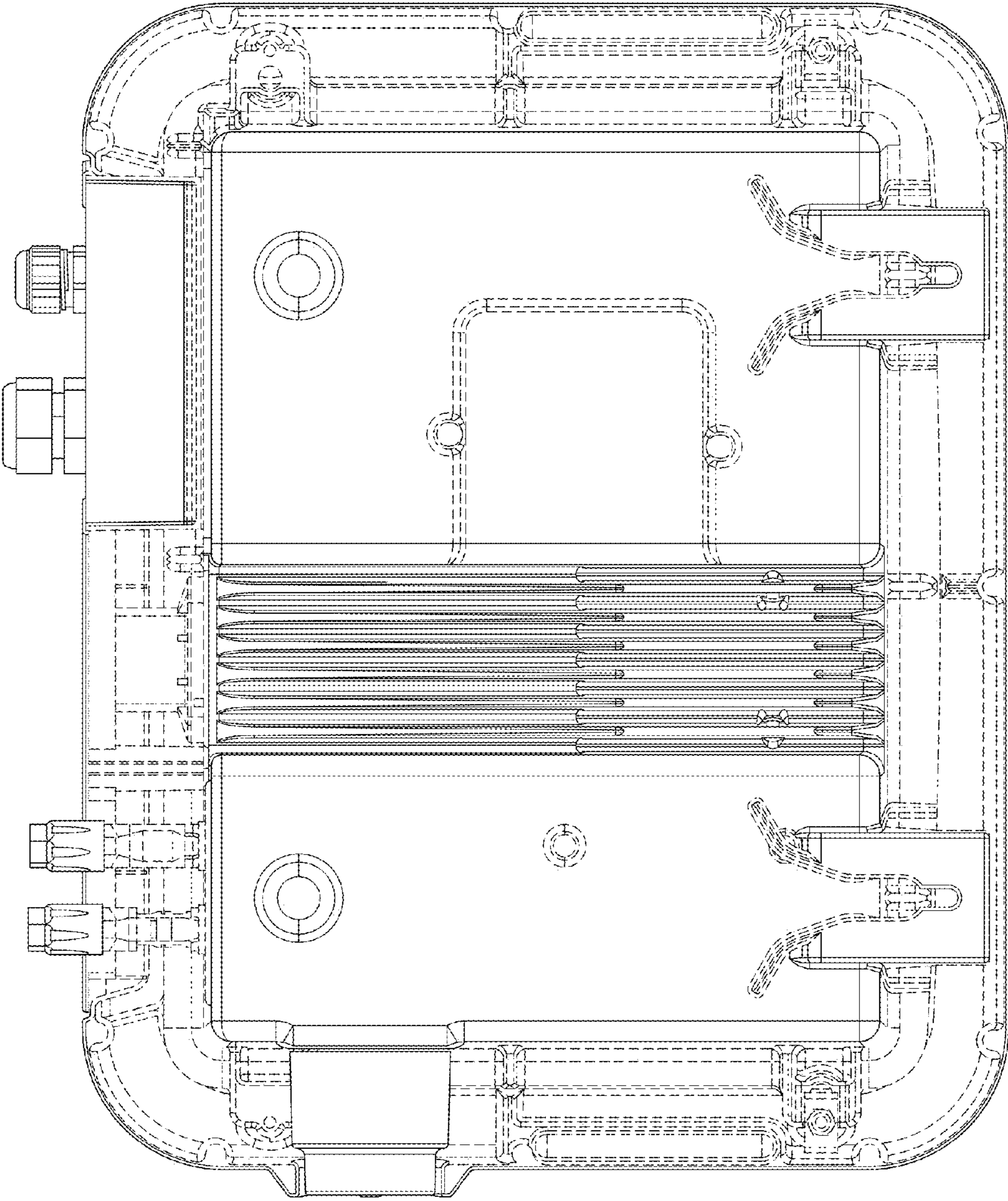


FIG. 4

Figure 5

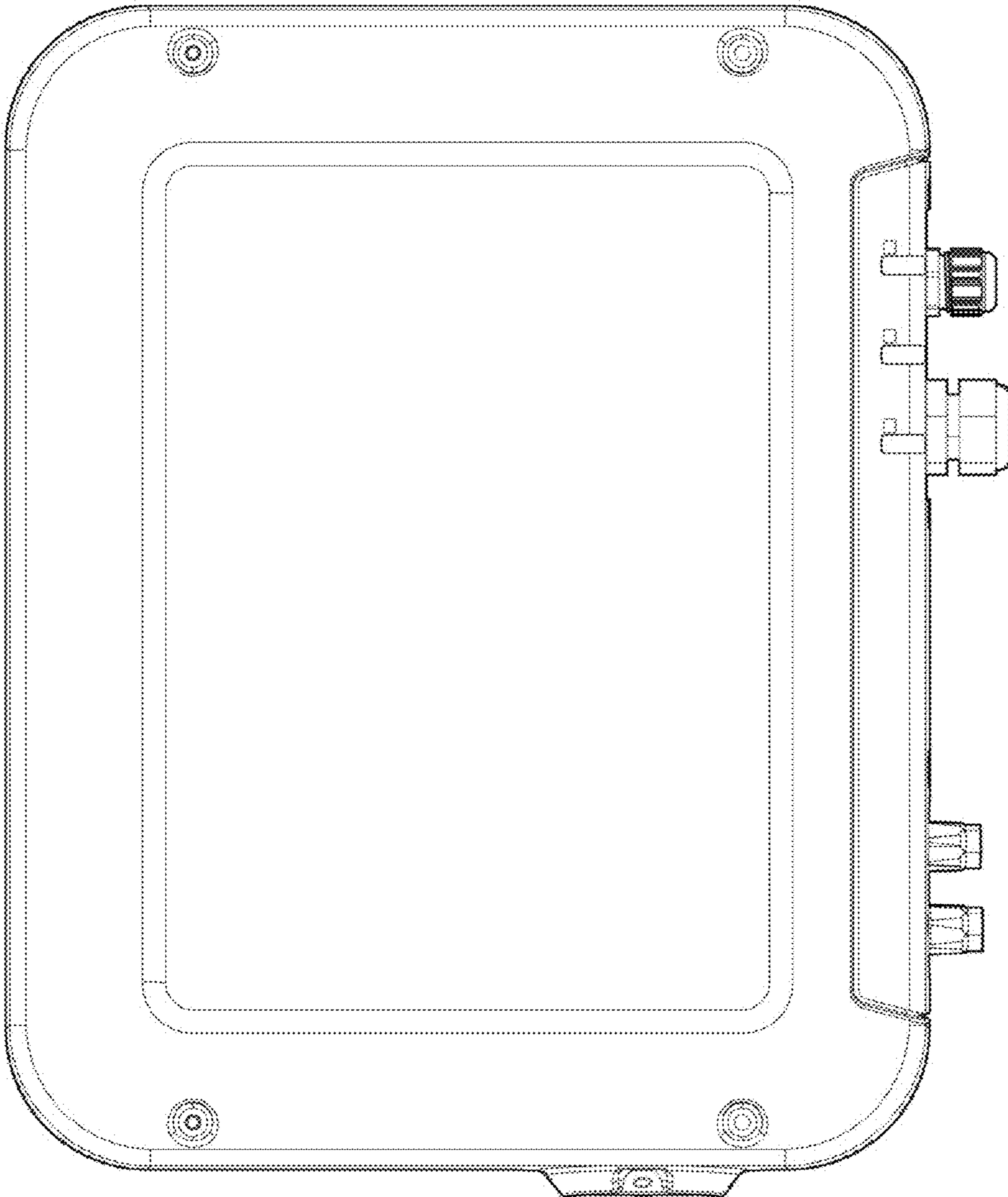


Figure 6

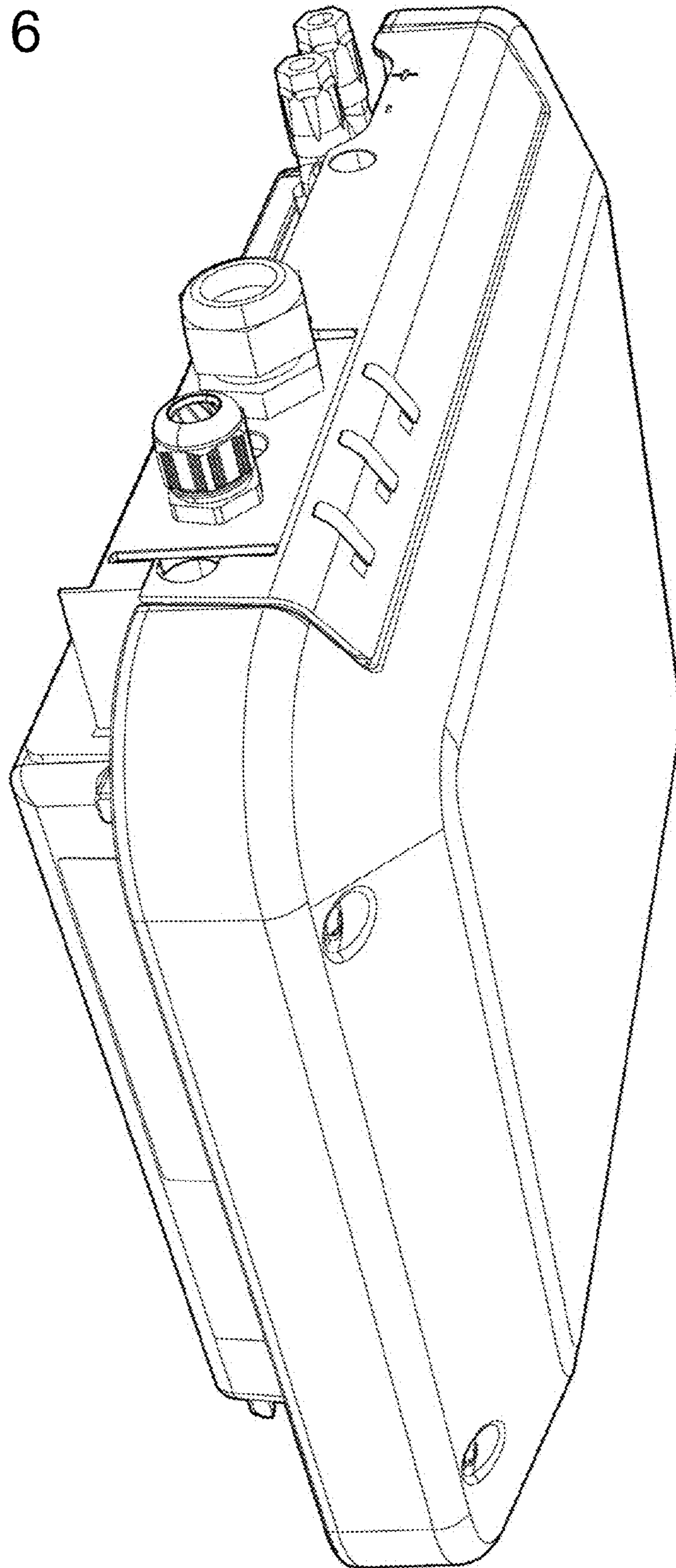


Figure 7

