



US00D756918S

(12) **United States Design Patent**
Leabman

(10) **Patent No.:** **US D756,918 S**
(45) **Date of Patent:** **** May 24, 2016**

- (54) **TABLE TOP WIRELESS POWER TRANSMITTER WITH FOLDING WINGS**
- (71) Applicant: **ENERGOUS CORPORATION**, San Jose, CA (US)
- (72) Inventor: **Michael A. Leabman**, San Ramon, CA (US)
- (73) Assignee: **Energous Corporation**, San Jose, CA (US)
- (**) Term: **14 Years**
- (21) Appl. No.: **29/498,693**
- (22) Filed: **Aug. 6, 2014**
- (51) **LOC (10) Cl.** **13-02**
- (52) **U.S. Cl.**
USPC **D13/108**
- (58) **Field of Classification Search**
USPC D14/242, 240, 435.1, 357, 358, D14/140-140.9, 155, 137, 139, 243, 348, D14/349, 351, 354, 355; D13/102-110, D13/118-119, 184, 199
CPC H04L 12/00; H03K 17/00; H04W 88/00; H04W 88/005; H04W 88/02; H04W 88/08; H04W 88/085; H04W 88/10; H04W 8/12; H04W 88/14; H04B 1/38; Y02E 60/12; Y02E 60/10; Y02E 60/122; Y02E 60/124; Y02E 60/50; Y02T 90/14; Y02T 90/122; Y02T 90/128; Y02T 90/163; H02J 7/025; H02J 7/0042; H02J 7/0044; H02J 7/0045; H02J 7/0003; H02J 7/00; H02J 7/0011; H02J 7/0013; H02J 7/0054; H02J 7/0055; H02J 7/0057; H02J 2007/0062; H01F 38/14; H01R 13/6675; H01M 2/02; H01M 2/022; H01M 2/0202; H01M 2/0207; H01M 2/0212; H01M 2/1061; H01M 2/1022; H01M 2/1055; H01M 2/1066; H01M 2/105; H01M 2/20; H01M 2/202; H01M 2/204; H01M 2/206; H01M 10/44; H01M 10/46; H01M 10/465; H01M 10/482; H01M 10/425; H01M 2200/30; H01M 2250/30; H01M 2250/40; B60L 11/182
See application file for complete search history.

- (56) **References Cited**
- U.S. PATENT DOCUMENTS
- | | | | | | | |
|-----------|---|---|---------|------------|-------|-----------------------|
| D247,619 | S | * | 3/1978 | Edgell | | D13/103 |
| D367,257 | S | * | 2/1996 | Buelow | | D13/110 |
| 5,611,701 | A | * | 3/1997 | Hahn | | H01R 24/66
439/131 |
| D471,540 | S | * | 3/2003 | Tomino | | D14/240 |
| D596,562 | S | * | 7/2009 | Hong | | D13/108 |
| D603,834 | S | * | 11/2009 | Lyman | | D14/155 |
| D621,391 | S | * | 8/2010 | Douglas | | D14/240 |
| D621,780 | S | * | 8/2010 | Ferber | | D13/108 |
| D638,356 | S | * | 5/2011 | Chen | | D13/110 |
| D652,381 | S | * | 1/2012 | Tien | | D13/110 |
| D669,029 | S | * | 10/2012 | Huang | | D13/110 |
| D686,152 | S | * | 7/2013 | Lee | | D13/103 |
| D687,374 | S | * | 8/2013 | Biedermann | | D13/108 |
| D687,375 | S | * | 8/2013 | Franco | | D13/108 |
| D693,798 | S | * | 11/2013 | Chuang | | D14/240 |
| D707,666 | S | * | 6/2014 | Ting | | D14/240 |
| D720,691 | S | * | 1/2015 | Lo | | D13/110 |
| D731,419 | S | * | 6/2015 | Kao | | D13/108 |
| D734,255 | S | * | 7/2015 | Leidel | | D13/108 |

* cited by examiner

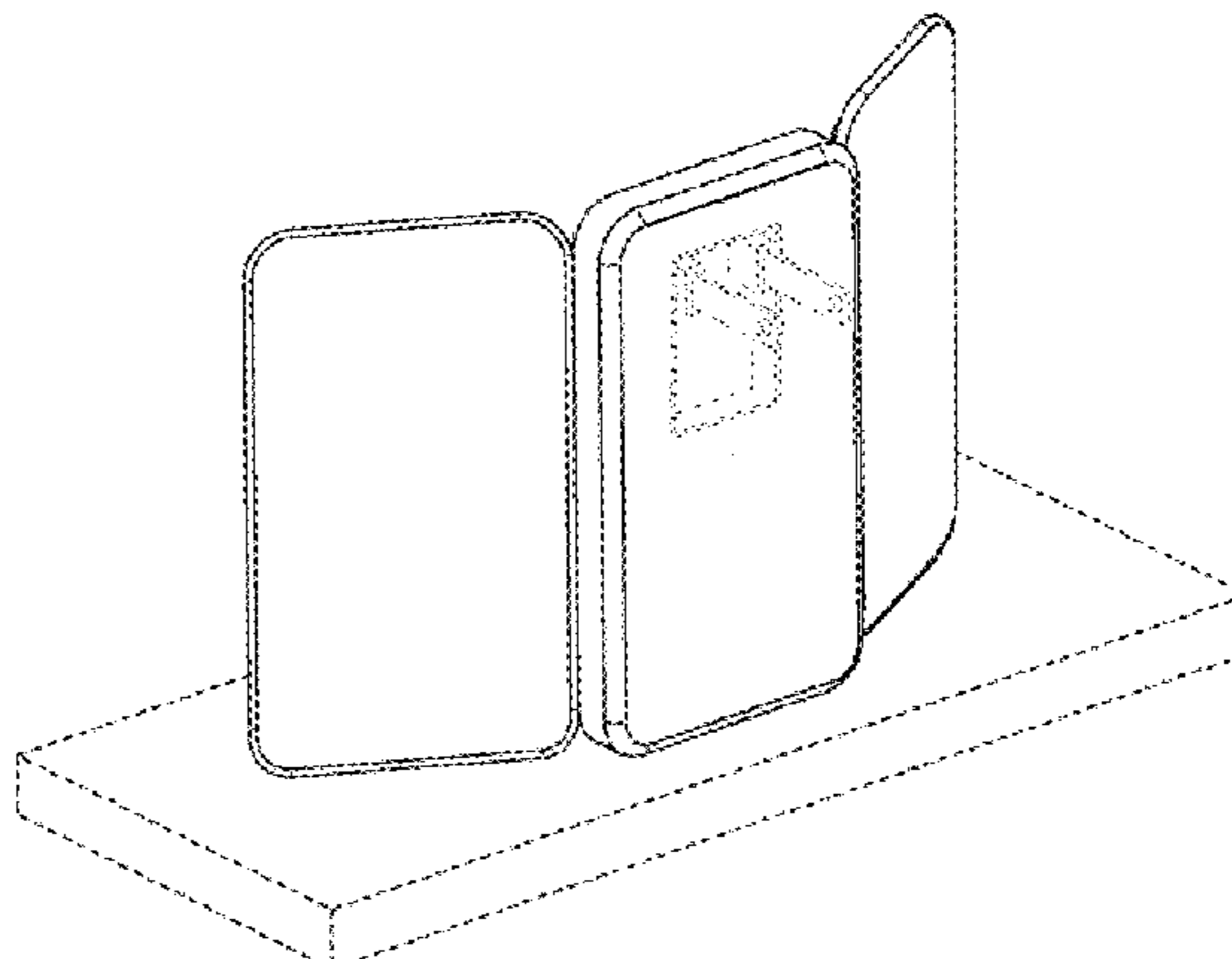
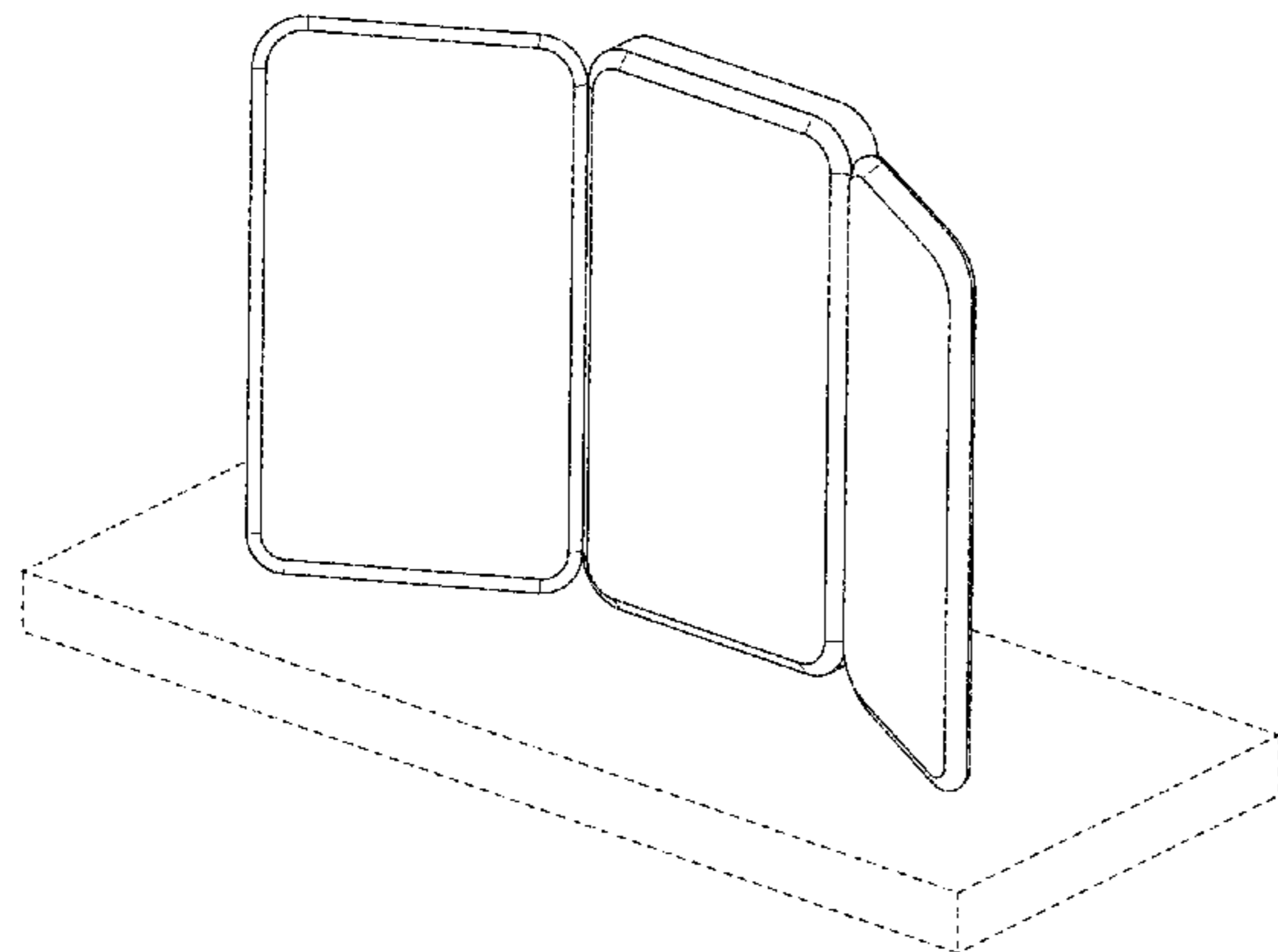
Primary Examiner — Rosemary K Tarcza
Assistant Examiner — Sanjeev Paul
(74) *Attorney, Agent, or Firm* — Eric Sophir; Dentons US LLP

(57) **CLAIM**
The ornamental design for a table top wireless power transmitter with folding wings, as shown and described.

DESCRIPTION

FIG. 1 is a front perspective view of a table top wireless power transmitter with folding wings;
FIG. 2 is a rear perspective view of a table top wireless power transmitter with folding wings;
FIG. 3 is top view of a table top wireless power transmitter with folding wings; and,
FIG. 4 is a side view of FIG. 1.
The broken lines in the drawings are for the purpose of illustrating unclaimed portions of the table top wireless power transmitter with folding wings, and form no part of the claimed design.

1 Claim, 3 Drawing Sheets



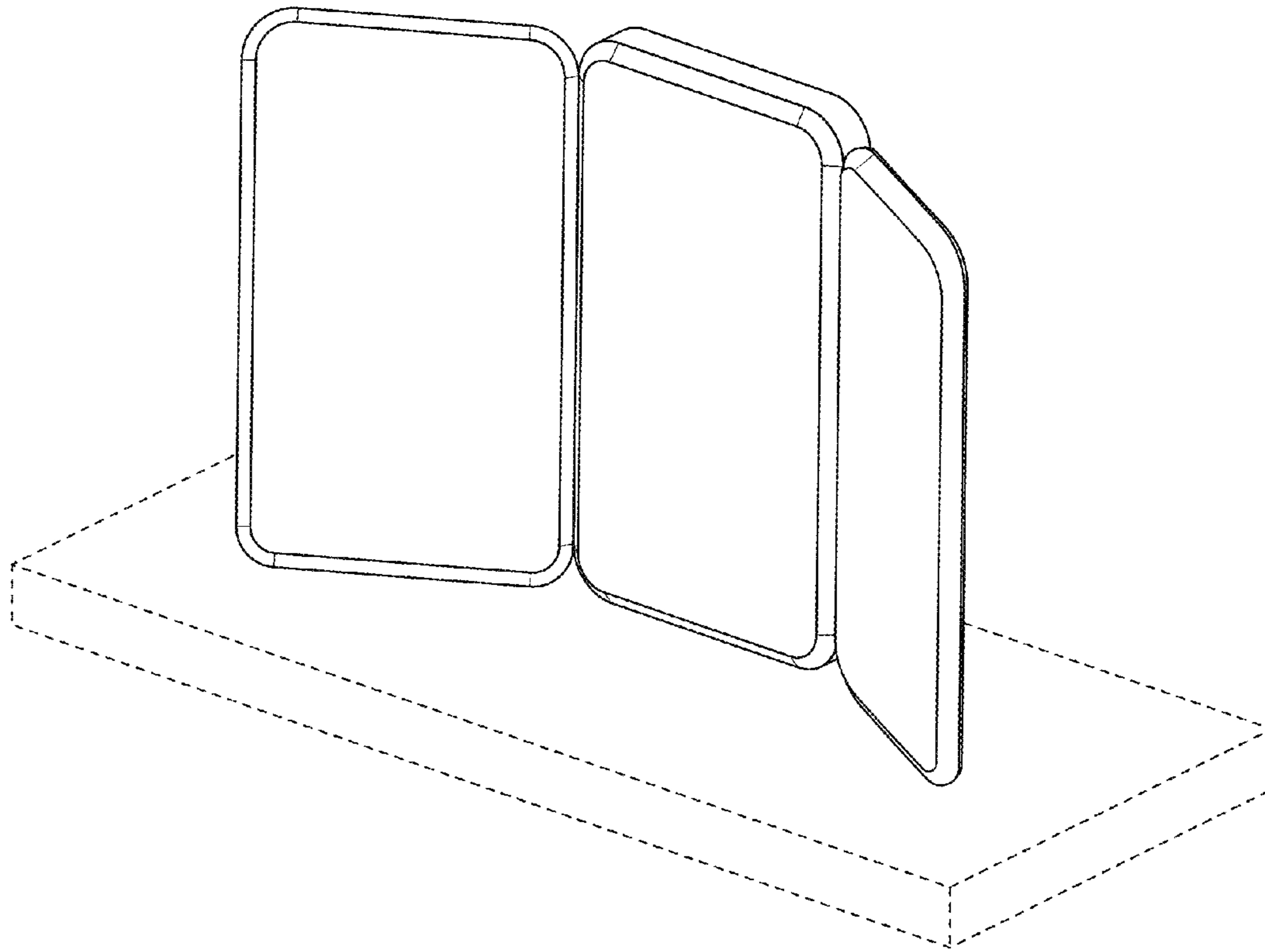


FIG. 1

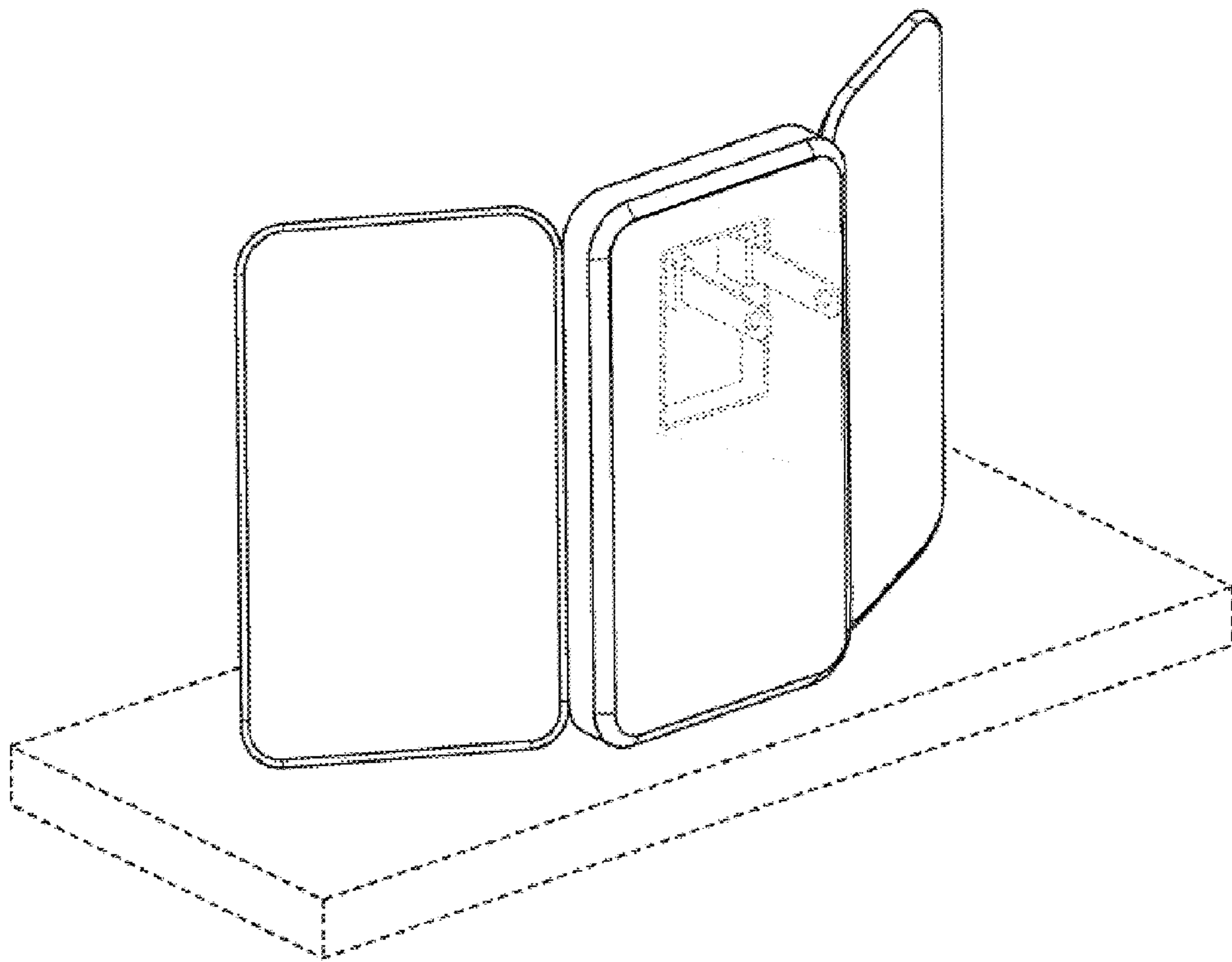


FIG. 2

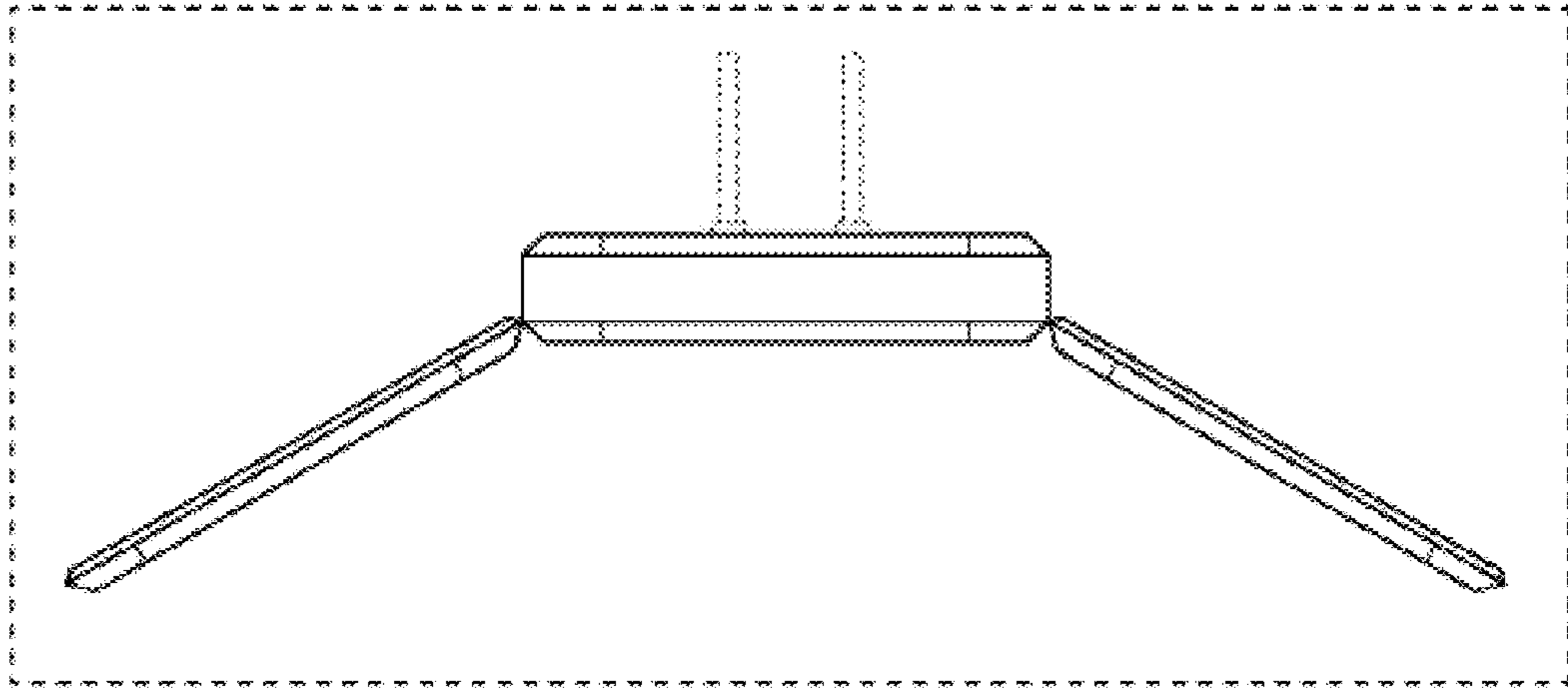


FIG. 3

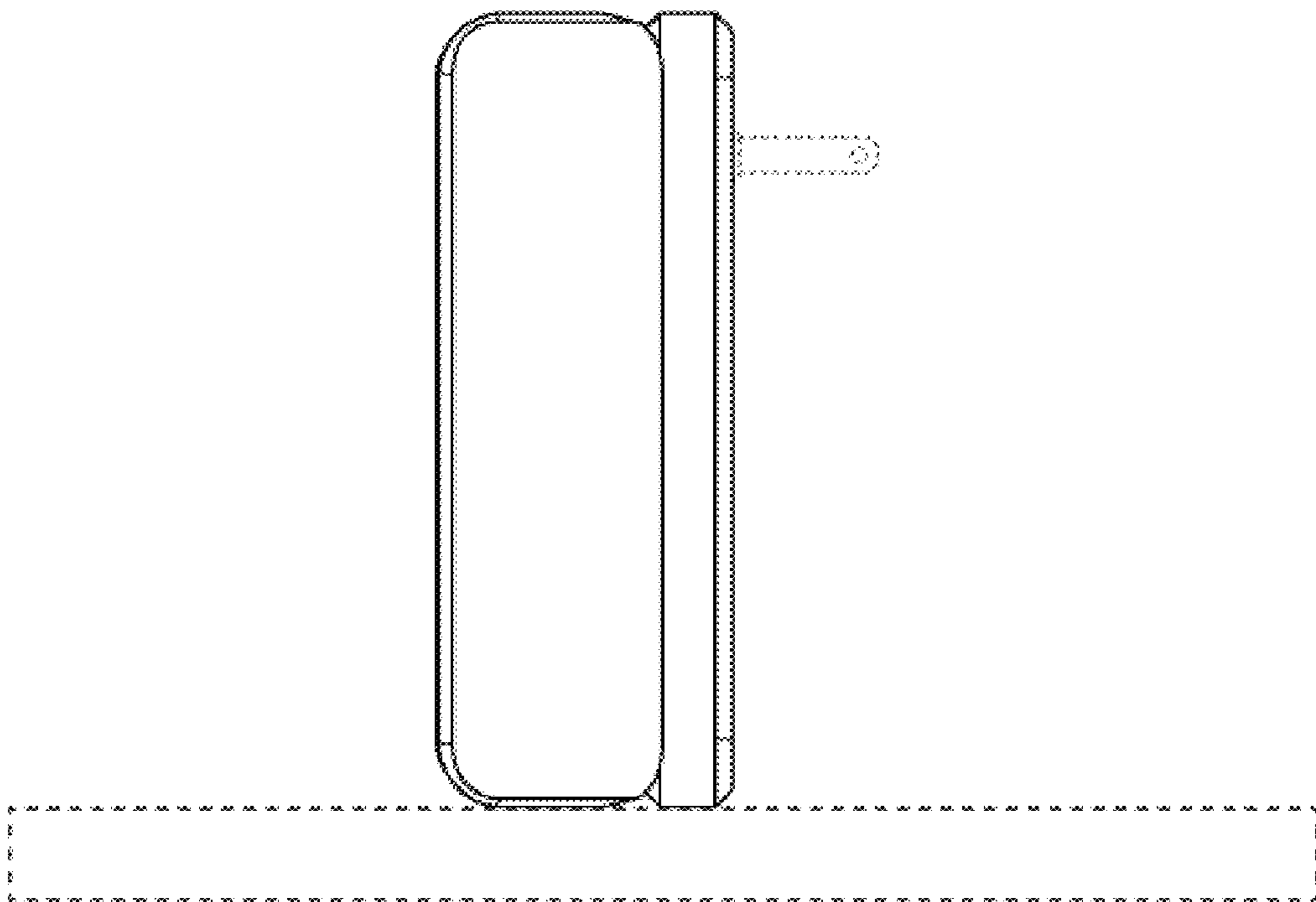


FIG. 4