



US00D756917S

(12) **United States Design Patent**
Leabman

(10) **Patent No.:** **US D756,917 S**
(45) **Date of Patent:** **** May 24, 2016**

(54) **WALL-MOUNTED WIRELESS POWER TRANSMITTER WITH SLIDE-IN WINGS**

H01M 2250/30; H01M 2250/40; B60L 11/182
See application file for complete search history.

(71) Applicant: **ENERGOUS CORPORATION**, San Jose, CA (US)

(56) **References Cited**

(72) Inventor: **Michael A. Leabman**, San Ramon, CA (US)

U.S. PATENT DOCUMENTS

(73) Assignee: **Energous Corporation**, San Jose, CA (US)

D247,619	S	*	3/1978	Edgell	D13/103
D367,257	S	*	2/1996	Buelow	D13/110
5,611,701	A	*	3/1997	Hahn	H01R 24/66 439/131
D471,540	S	*	3/2003	Tomino	D14/240
D596,562	S	*	7/2009	Hong	D13/108
D603,834	S	*	11/2009	Lyman	D14/155
D621,391	S	*	8/2010	Douglas	D14/240
D621,780	S	*	8/2010	Ferber	D13/108
D638,356	S	*	5/2011	Chen	D13/110
D652,381	S	*	1/2012	Tien	D13/110
D669,029	S	*	10/2012	Huang	D13/110
D686,152	S	*	7/2013	Lee	D13/103

(**) Term: **14 Years**

(21) Appl. No.: **29/498,691**

(22) Filed: **Aug. 6, 2014**

(51) **LOC (10) Cl.** **13-02**

(52) **U.S. Cl.**
USPC **D13/108**

(58) **Field of Classification Search**
USPC D14/242, 240, 435.1, 357, 358,
D14/140-140.9, 155, 137, 139, 243, 348,
D14/349, 351, 354, 355; D13/102-110,
D13/118-119, 184, 199
CPC H04L 12/00; H03K 17/00; H04W 88/00;
H04W 88/005; H04W 88/02; H04W 88/08;
H04W 88/085; H04W 88/10; H04W 88/12;
H04W 88/14; H04B 1/38; Y02E 60/12;
Y02E 60/10; Y02E 60/122; Y02E 60/124;
Y02E 60/50; Y02T 90/14; Y02T 90/122;
Y02T 90/128; Y02T 90/163; H02J 7/025;
H02J 7/0042; H02J 7/0044; H02J 7/0045;
H02J 7/0003; H02J 7/00; H02J 7/0011;
H02J 7/0013; H02J 7/0054; H02J 7/0055;
H02J 7/0057; H02J 2007/0062; H01F 38/14;
H01R 13/6675; H01M 2/02; H01M 2/022;
H01M 2/0202; H01M 2/0207; H01M 2/0212;
H01M 2/1061; H01M 2/1022; H01M 2/1055;
H01M 2/1066; H01M 2/105; H01M 2/20;
H01M 2/202; H01M 2/204; H01M 2/206;
H01M 10/44; H01M 10/46; H01M 10/465;
H01M 10/482; H01M 10/425; H01M 2200/30;

(Continued)

Primary Examiner — Rosemary K Tarcza

Assistant Examiner — Sanjeev Paul

(74) *Attorney, Agent, or Firm* — Eric L. Sophir; Dentons US LLP

(57) **CLAIM**

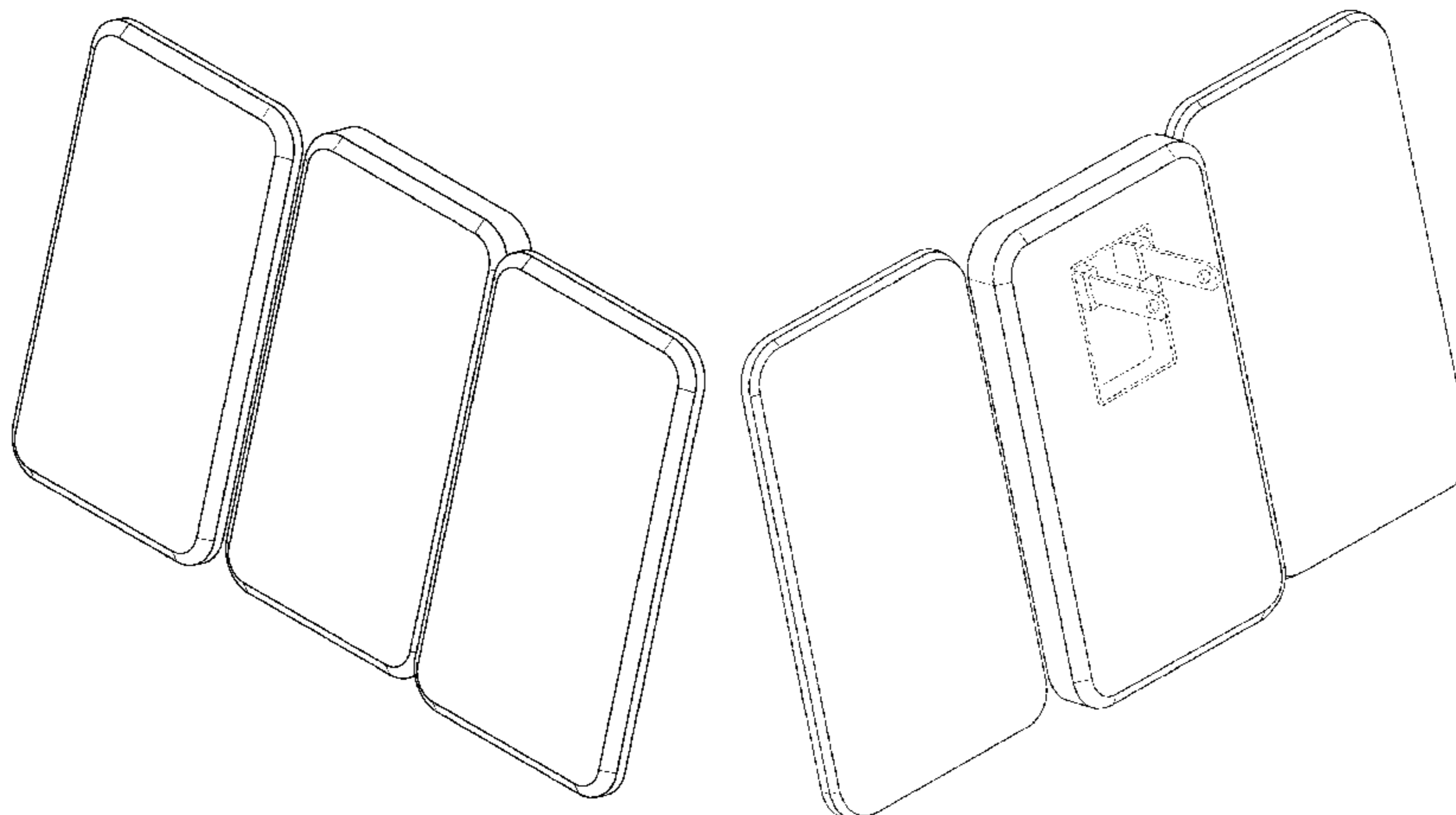
The ornamental design for a wall-mounted wireless power transmitter with slide-in wings, as shown and described.

DESCRIPTION

FIG. 1 is a front perspective view of a wall-mounted wireless power transmitter with slide-in wings;
FIG. 2 is a rear perspective view of a wall-mounted wireless power transmitter with slide-in wings;
FIG. 3 is top view of a wall-mounted wireless power transmitter with slide-in wings; and,
FIG. 4 is a side view of FIG. 1.

Applicants disclaim those portions of the antenna arrangement not shown in the drawings as forming no part of the claimed design. Those portions of the wireless power transmitter shown in broken lines in the drawing form no part of the claimed design.

1 Claim, 3 Drawing Sheets



US D756,917 S

Page 2

(56)

References Cited

U.S. PATENT DOCUMENTS

D687,374 S * 8/2013 Biedermann D13/108
D687,375 S * 8/2013 Franco D13/108
D693,798 S * 11/2013 Chuang D14/240

D707,666 S * 6/2014 Ting D14/240
D720,691 S * 1/2015 Lo D13/110
D731,419 S * 6/2015 Kao D13/108
D734,255 S * 7/2015 Leidel D13/108

* cited by examiner

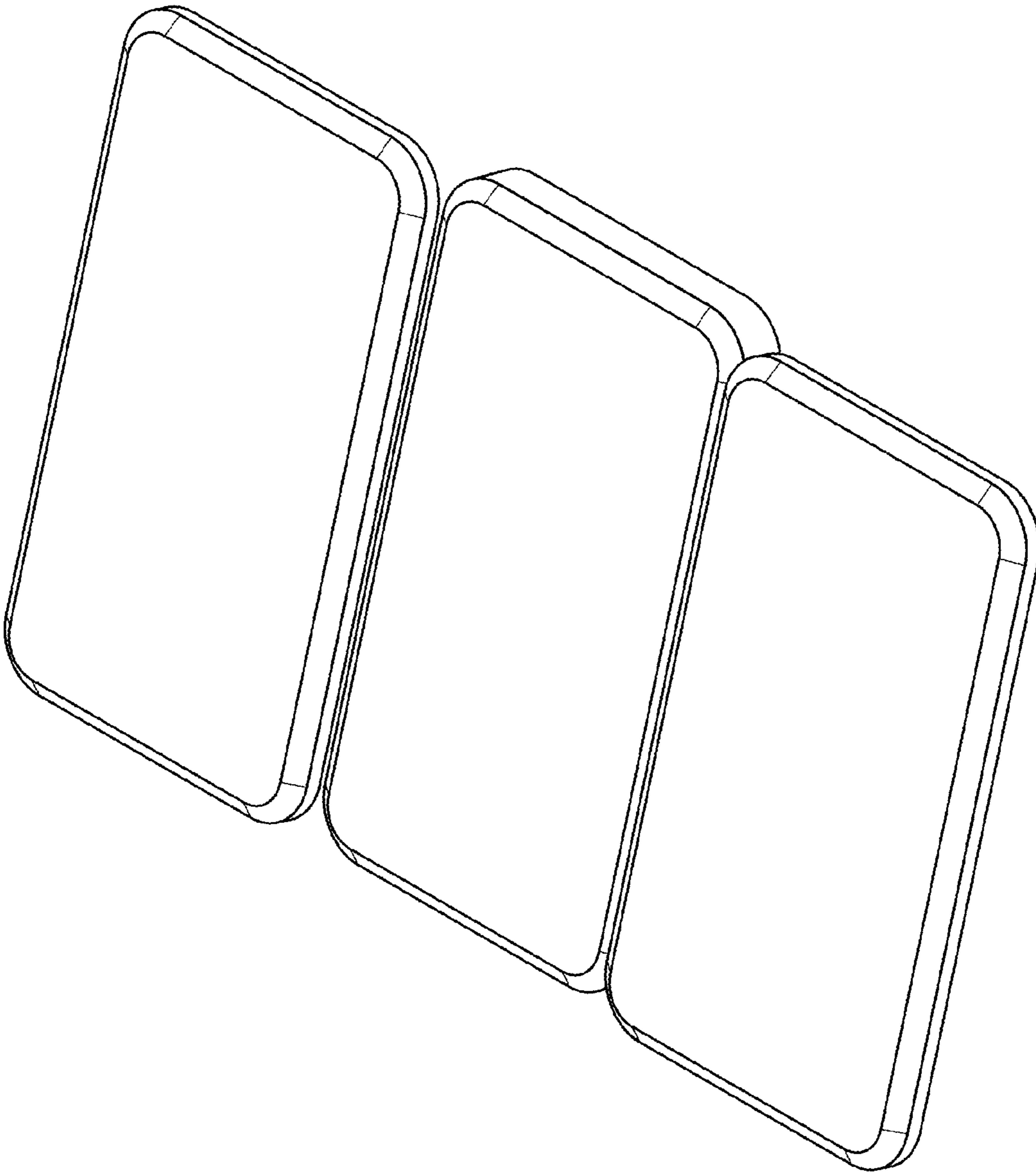


FIG. 1

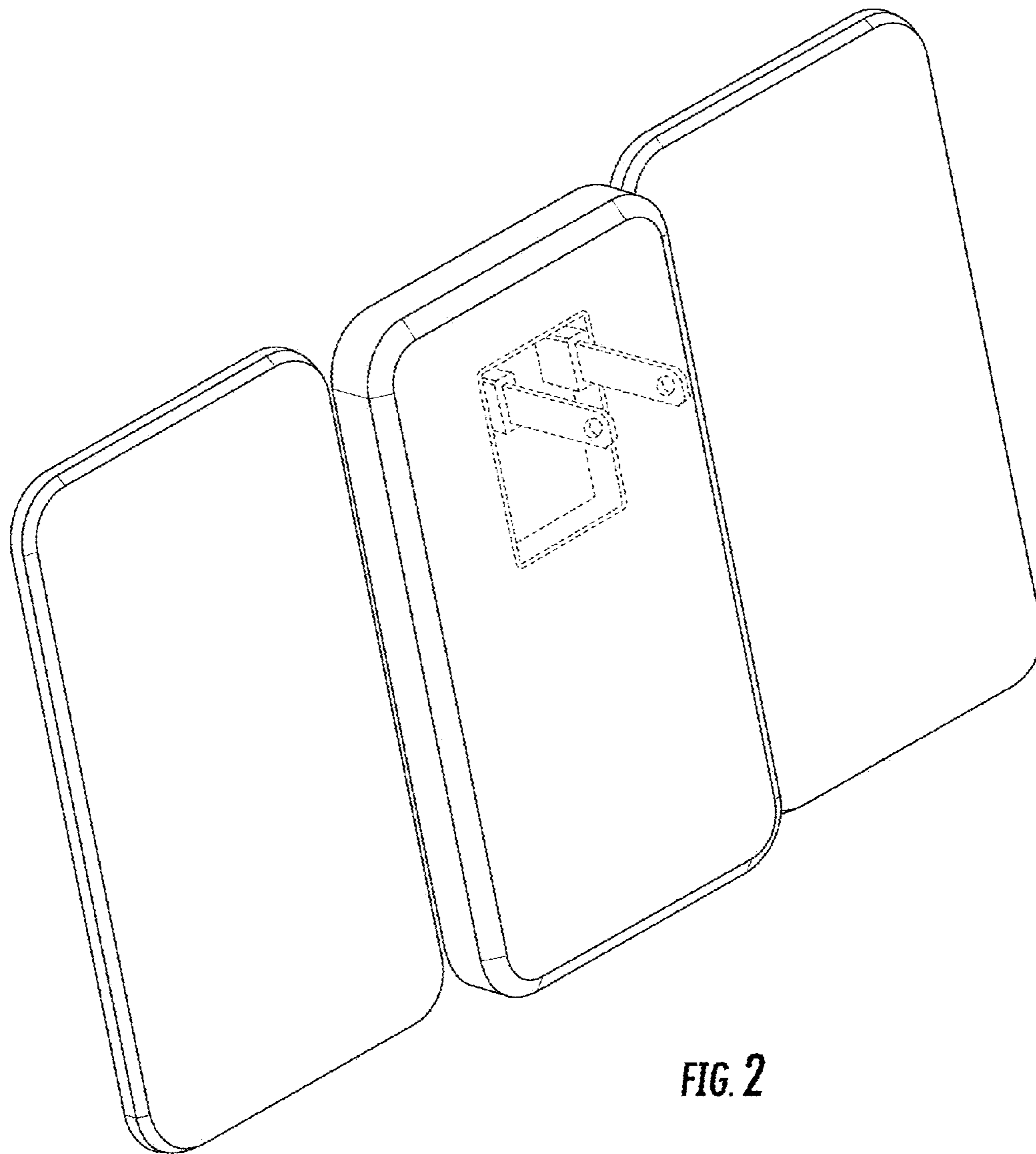


FIG. 2

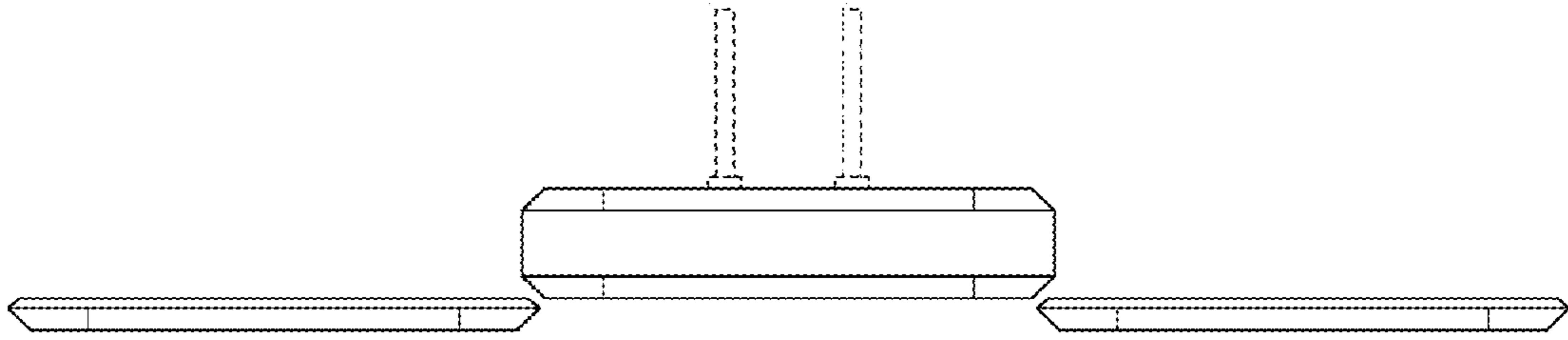


FIG. 3

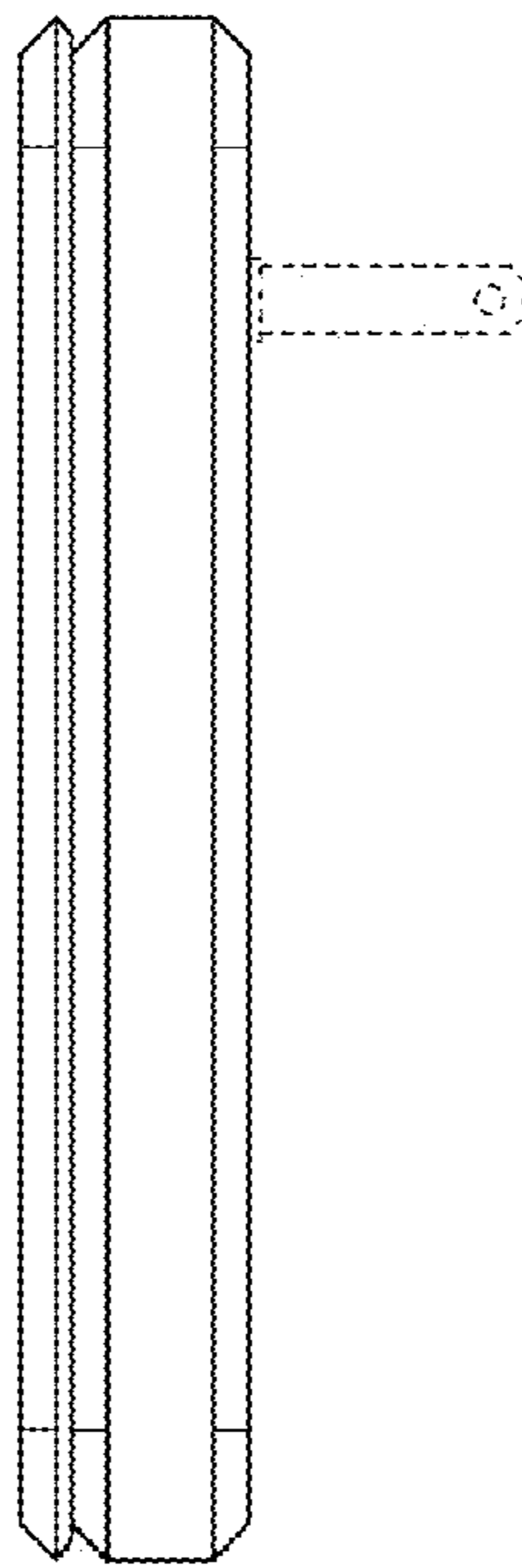


FIG. 4