



US00D756916S

(12) **United States Design Patent**
Yang

(10) **Patent No.:** **US D756,916 S**

(45) **Date of Patent:** **** May 24, 2016**

(54) **WALL CHARGER**

(71) Applicant: **Anker Technology LLC**, Kowloon (HK)

(72) Inventor: **Meng Yang**, Changsha (CN)

(73) Assignee: **Anker Technology LLC**, Hong Kong (HK)

(**) Term: **14 Years**

(21) Appl. No.: **29/489,913**

(22) Filed: **May 5, 2014**

(30) **Foreign Application Priority Data**

Jan. 17, 2014 (CN) 2014 3 0012887

(51) **LOC (10) Cl.** **13-02**

(52) **U.S. Cl.**
USPC **D13/108**

(58) **Field of Classification Search**

USPC D13/107–110, 118–119, 184, 199;
D14/251, 253, 432, 434

CPC Y02E 60/12; Y02T 90/14; Y02T 90/122;
Y02T 90/128; Y02T 90/163; H02J 7/025;
H02J 7/0042; H02J 7/0044; H02J 7/0045;
H02J 7/0003; H01F 38/14; H01R 13/6675;
H01M 2/1022; H01M 2/1055; H01M 10/44;
H01M 10/46; H01M 10/425; B60L 11/182

See application file for complete search history.

(56) **References Cited**

U.S. PATENT DOCUMENTS

D572,712 S * 7/2008 Ledbetter D13/110
D627,729 S * 11/2010 Smith D13/108

D638,357 S * 5/2011 Sasada D13/110
D663,267 S * 7/2012 Kim D13/110
D676,380 S * 2/2013 Sun D13/108
D676,382 S * 2/2013 McSweyn D13/108
D683,314 S * 5/2013 Andre D13/108
D689,819 S * 9/2013 Olsson D13/110
D692,825 S * 11/2013 Izen D13/108
D715,734 S * 10/2014 Levy D13/110
D730,823 S * 6/2015 Leung D13/108
D731,970 S * 6/2015 Kamath D13/110
D734,259 S * 7/2015 Cypress D13/110
D734,260 S * 7/2015 Cypress D13/110
D735,130 S * 7/2015 Huang D13/108

* cited by examiner

Primary Examiner — Rosemary K Tarcza

(74) *Attorney, Agent, or Firm* — Finnegan, Henderson, Farabow, Garrett & Dunner, LLP

(57) **CLAIM**

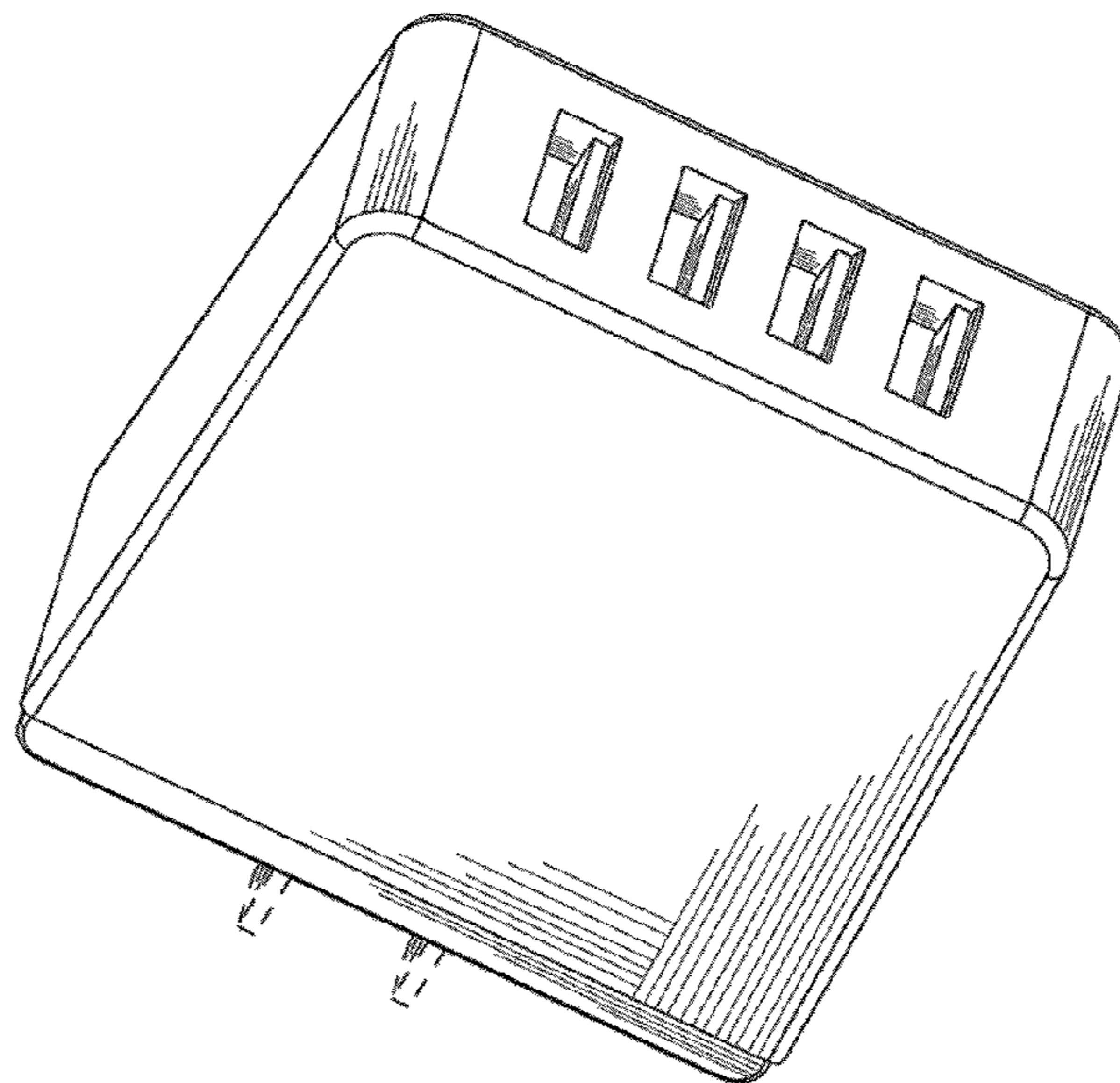
The ornamental design for a wall charger, as shown and described.

DESCRIPTION

FIG. 1 is a front, bottom, left perspective view of a wall charger showing our new design;
FIG. 2 is a rear, top, left perspective view thereof;
FIG. 3 is a front elevation view thereof;
FIG. 4 is a rear elevation view thereof;
FIG. 5 is a top plan view thereof;
FIG. 6 is a bottom view thereof;
FIG. 7 is a left side view thereof; and,
FIG. 8 is a right side view thereof.

The broken lines shown in the drawings illustrate portions of the wall charger that form no part of the claimed design.

1 Claim, 8 Drawing Sheets



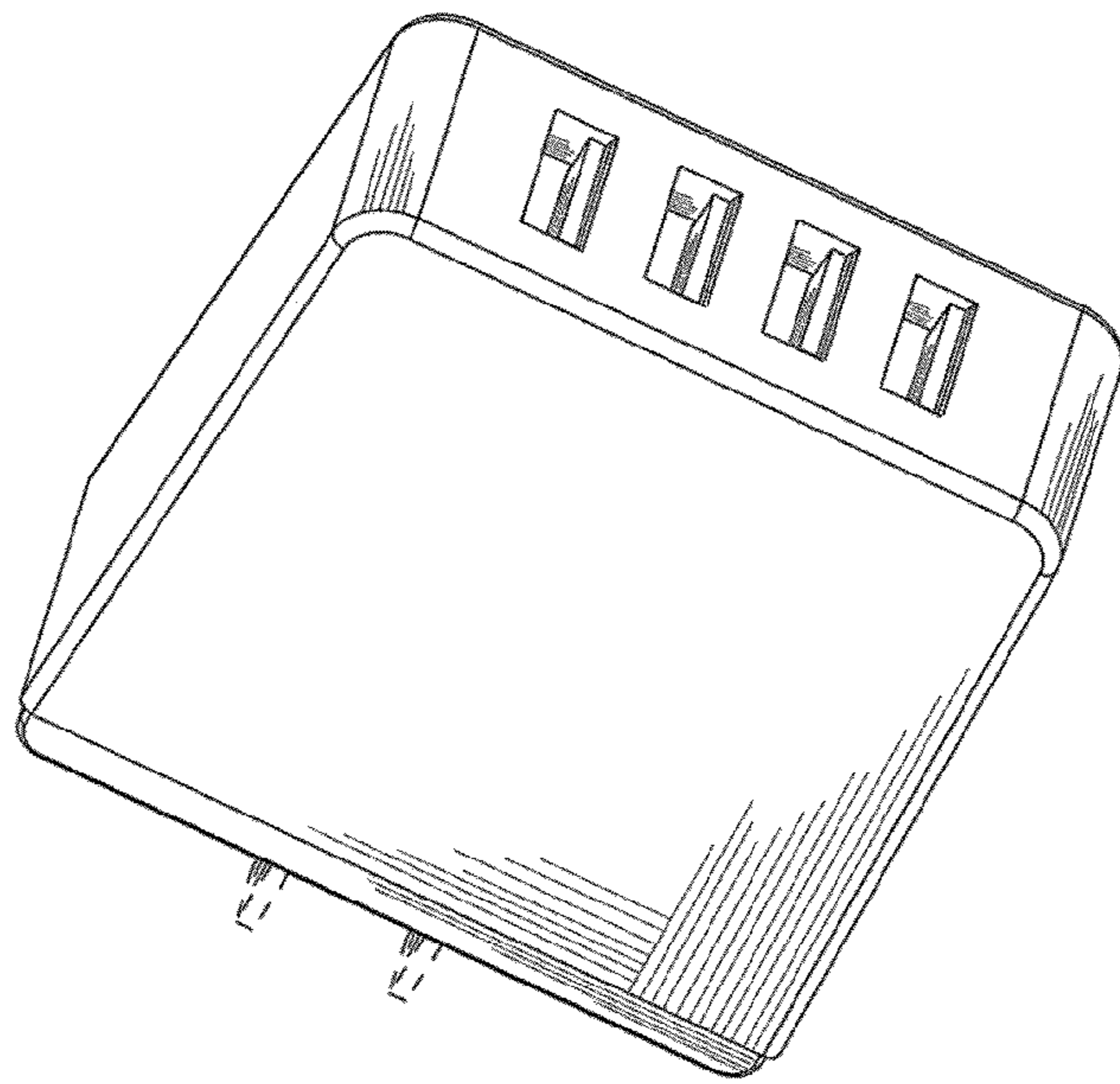


Fig. 1

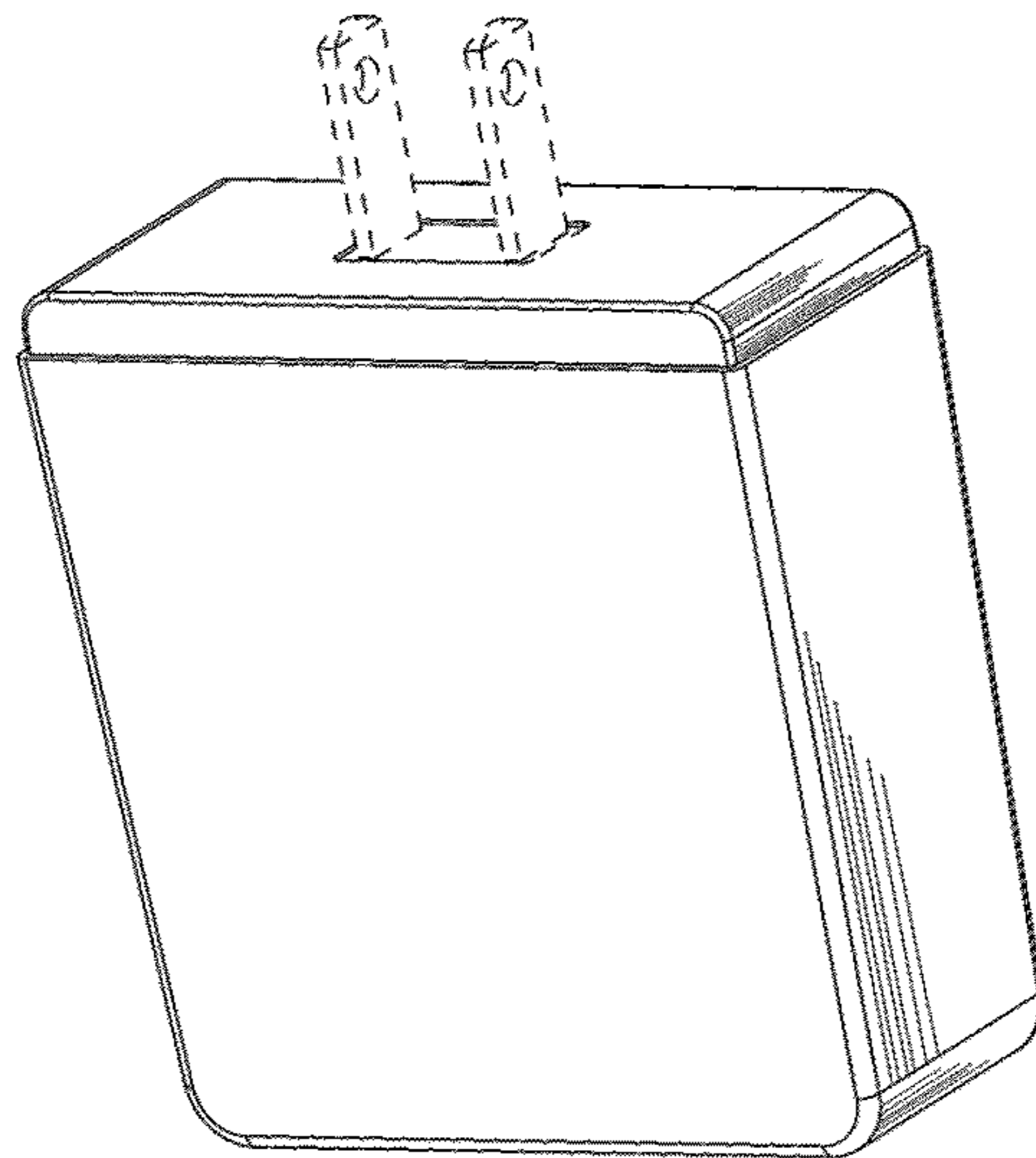


Fig. 2

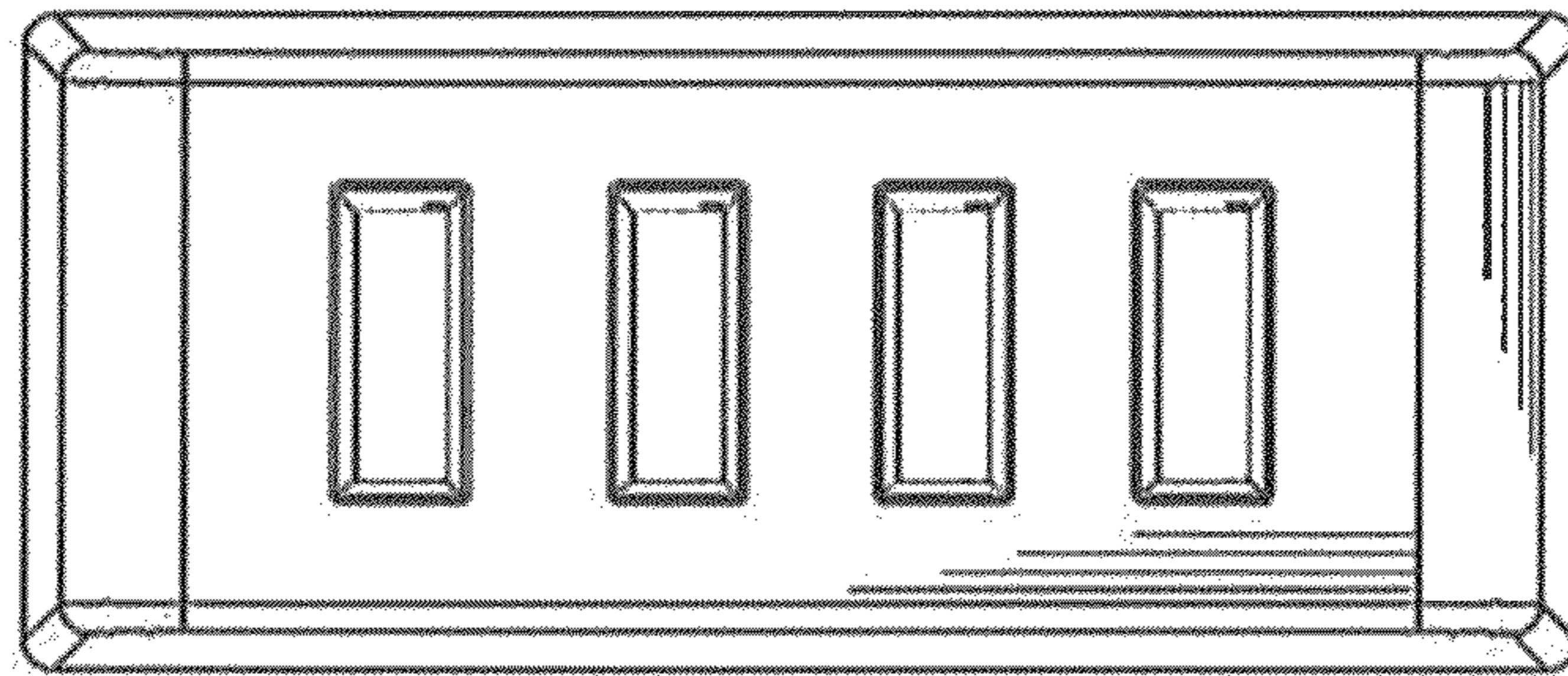


Fig. 3

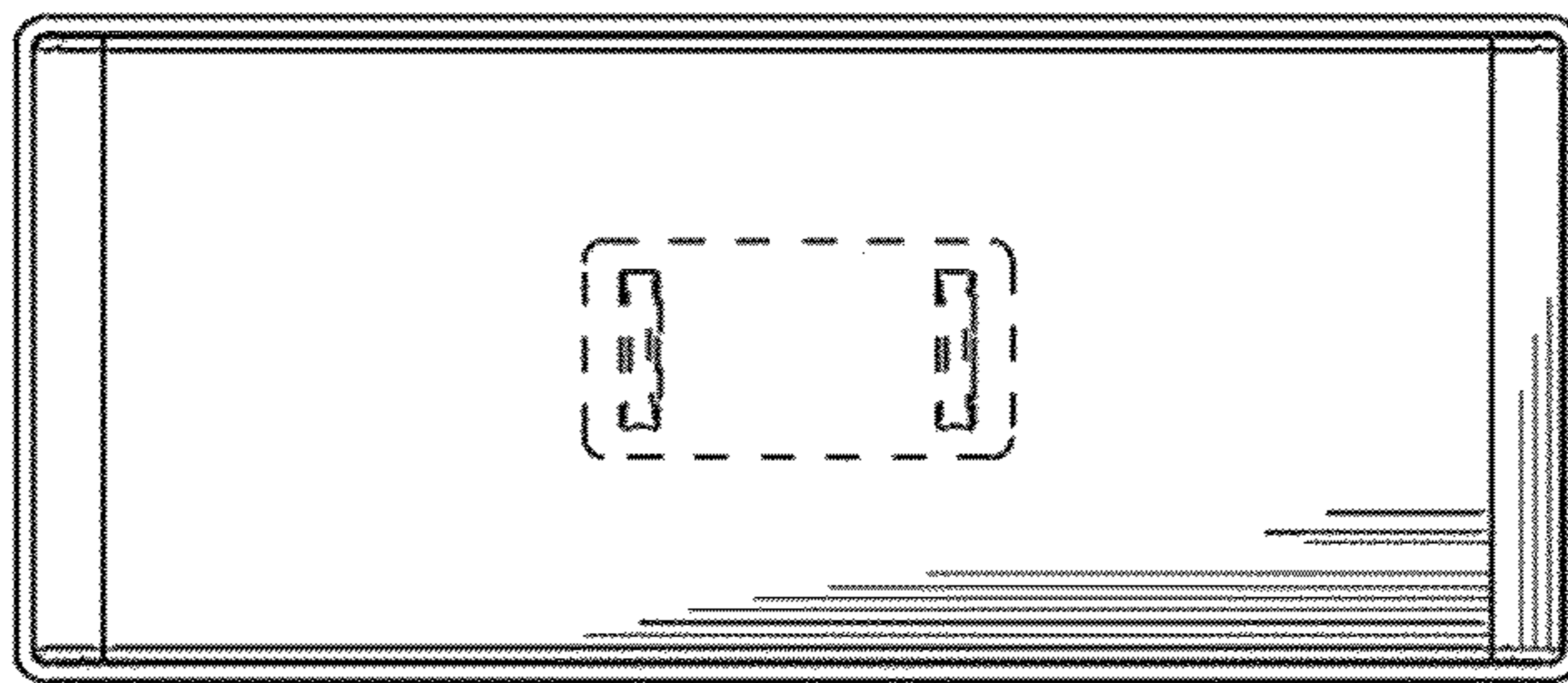


Fig. 4

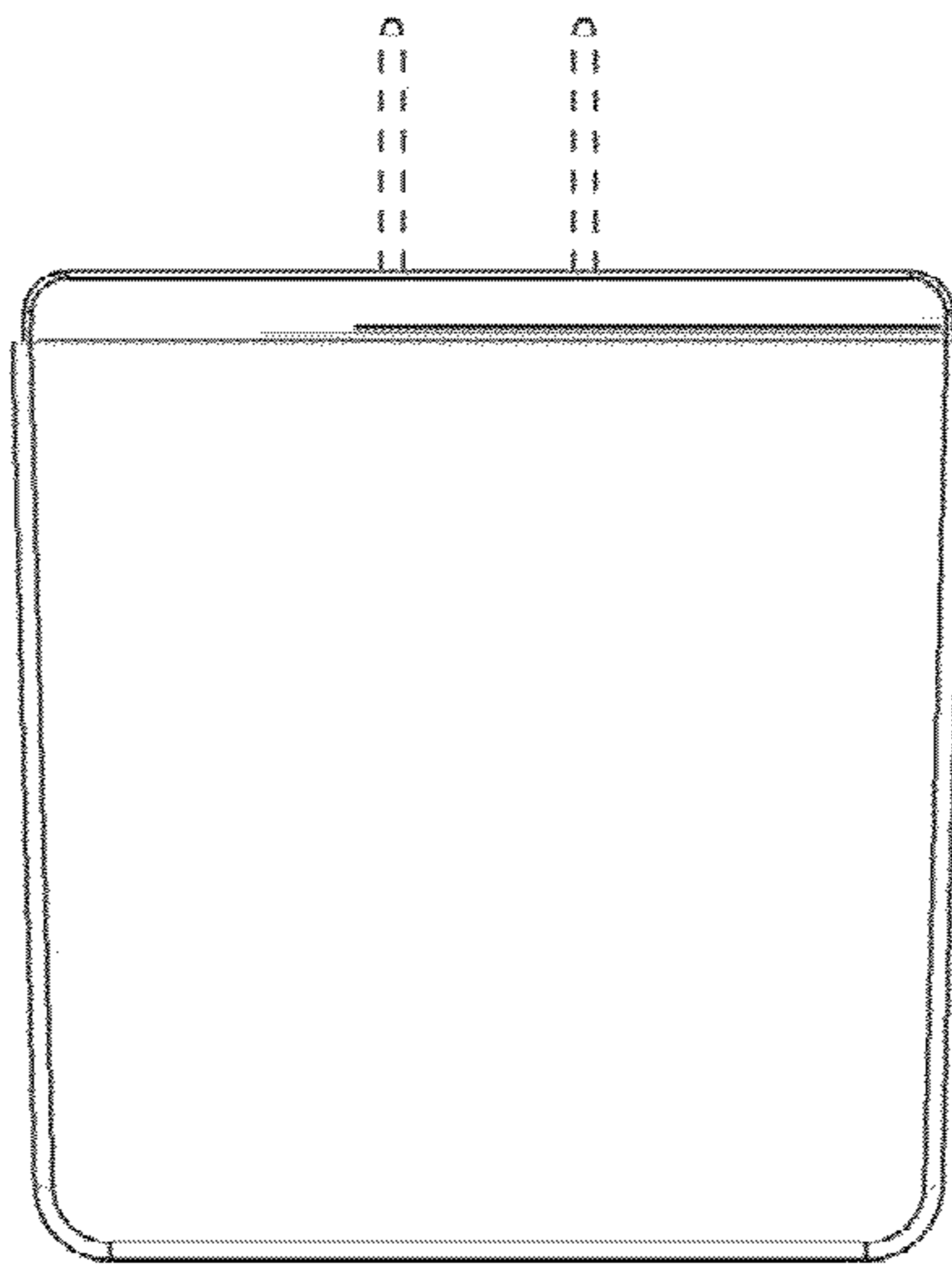


Fig. 5

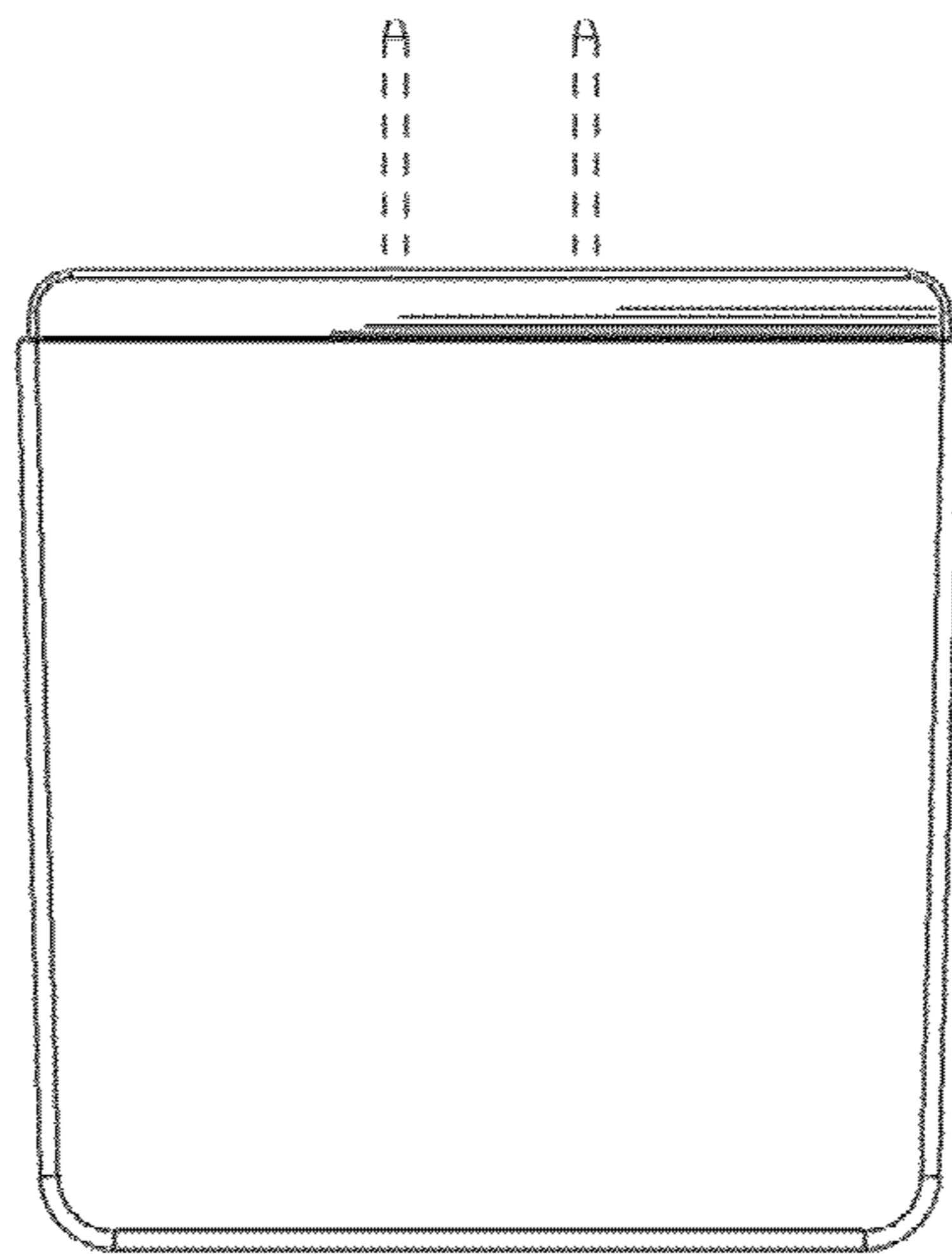


Fig. 6

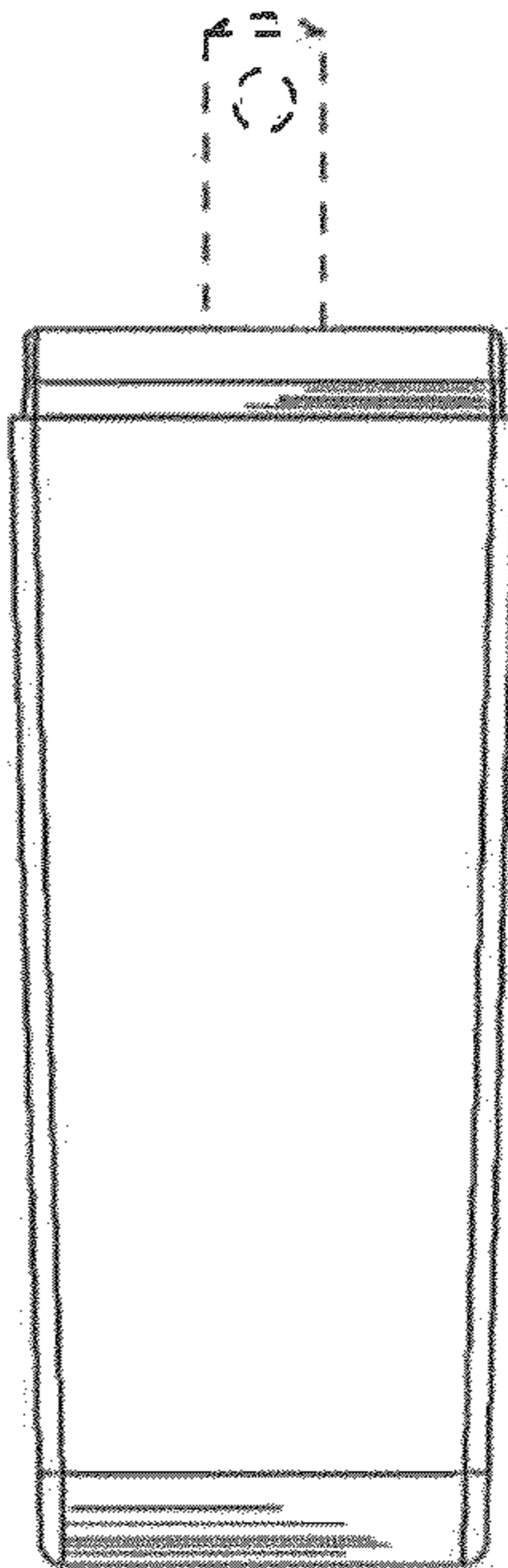


Fig. 7

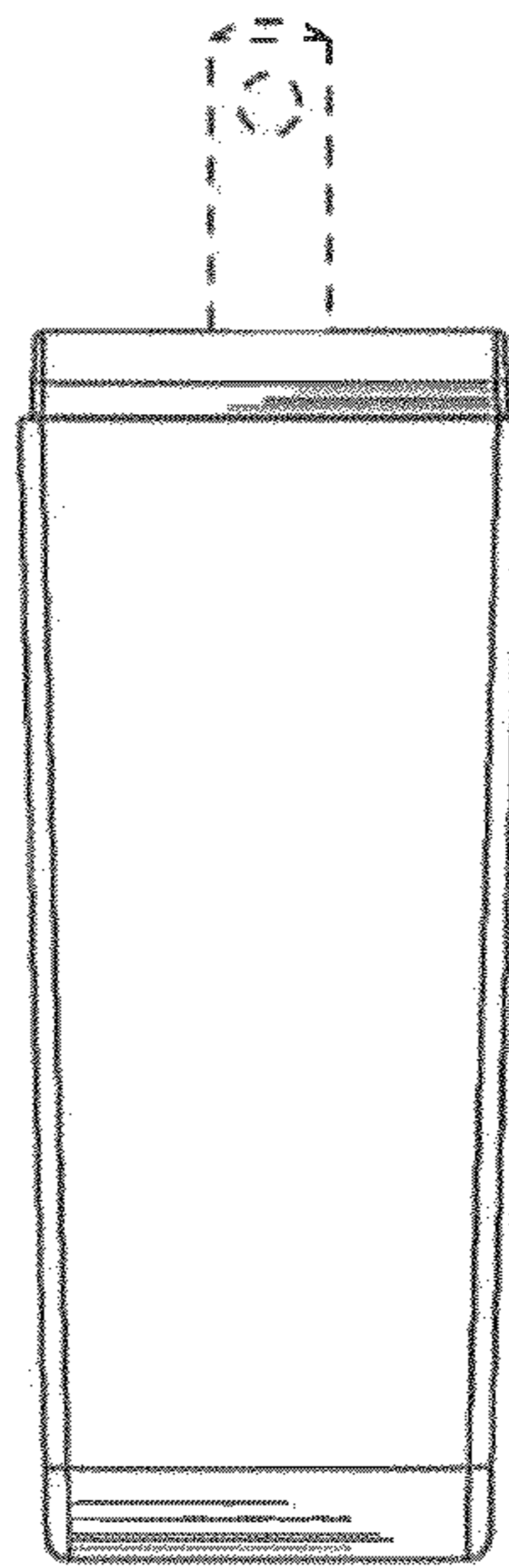


Fig. 8