

US00D756913S

(12) **United States Design Patent**  
**Esses**

(10) **Patent No.:** **US D756,913 S**  
(45) **Date of Patent:** **\*\* May 24, 2016**

- (54) **CHARGING STATION**
- (71) Applicant: **Premier Accessory Group LLC**,  
Edison, NJ (US)
- (72) Inventor: **Alfred Esses**, Brooklyn, NY (US)
- (73) Assignee: **Premier Accessory Group LLC**, Edison,  
NJ (US)
- (\*\*) Term: **15 Years**
- (21) Appl. No.: **29/543,788**
- (22) Filed: **Oct. 28, 2015**
- (51) **LOC (10) Cl.** ..... **13-02**
- (52) **U.S. Cl.**  
USPC ..... **D13/107**
- (58) **Field of Classification Search**  
USPC ..... D13/107–110, 118–119, 184, 199;  
D14/251, 253, 432, 434  
CPC ..... Y02E 60/12; Y02T 90/14; Y02T 90/122;  
Y02T 90/128; Y02T 90/163; H02J 7/025;  
H02J 7/0042; H02J 7/0044; H02J 7/0045;  
H02J 7/0003; H01F 38/14; H01R 13/6675;  
H01M 2/1022; H01M 2/1055; H01M 10/44;  
H01M 10/46; H01M 10/425; B60L 11/182  
See application file for complete search history.

D693,764 S *	11/2013	Hok Man	.....	D13/108
D699,180 S	2/2014	Sweere et al.		
D701,830 S	4/2014	Edwards		
D710,797 S	8/2014	Awiszus et al.		
D718,714 S *	12/2014	Si	.....	D13/110
D718,715 S *	12/2014	Si	.....	D13/110
D719,092 S *	12/2014	Huang	.....	D13/110
D721,649 S	1/2015	Tsai		
D730,283 S	5/2015	Dorn		
9,041,347 B2	5/2015	Paschke et al.		
D731,410 S *	6/2015	Kasaba	.....	D13/103
D734,258 S *	7/2015	Yin	.....	D13/107
D735,130 S *	7/2015	Huang	.....	D13/108

\* cited by examiner

*Primary Examiner* — Rosemary K Tarcza

(74) *Attorney, Agent, or Firm* — Gottlieb, Rackman & Reisman, P.C.

(57) **CLAIM**

The ornamental design for a charging station, as shown and described.

**DESCRIPTION**

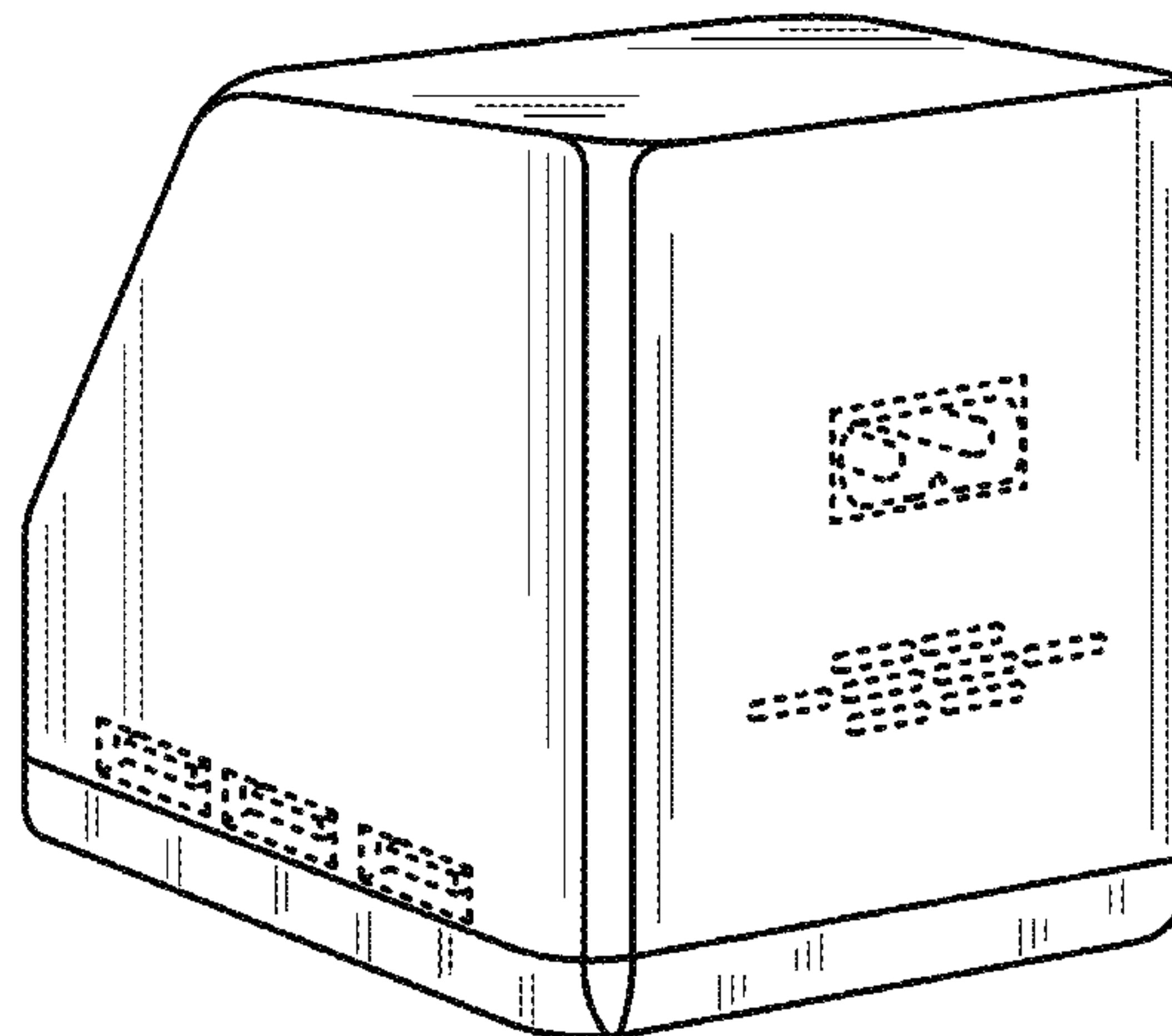
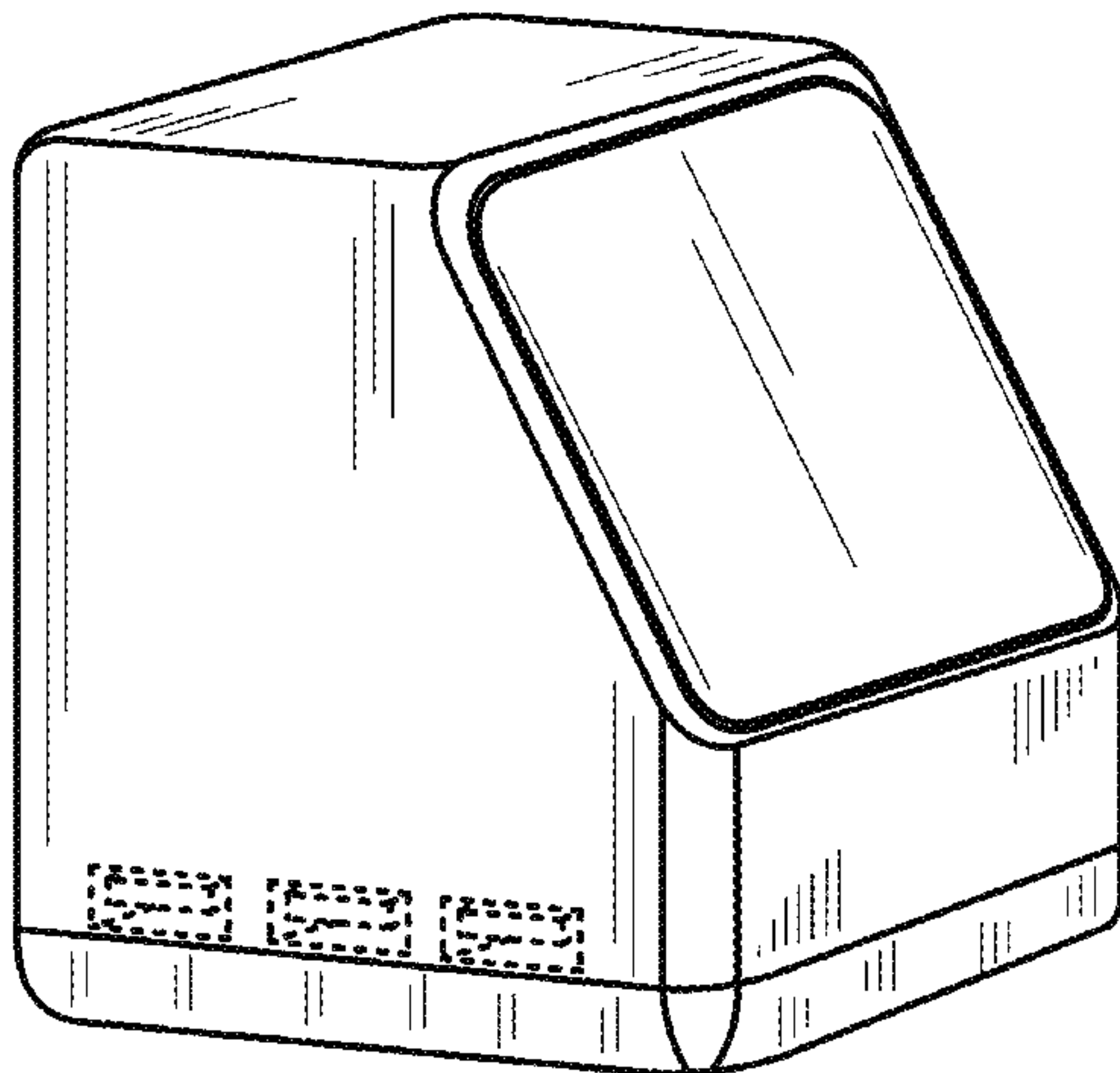
FIG. 1 is a top, front and right side perspective view of the charging station showing my new design;  
 FIG. 2 is a top, rear and left side perspective view of the charging station;  
 FIG. 3 is a top plan view thereof;  
 FIG. 4 is a rear elevational view thereof;  
 FIG. 5 is a left side elevational view thereof;  
 FIG. 6 is a right side elevational view thereof;  
 FIG. 7 is a front elevational view thereof; and,  
 FIG. 8 is a bottom plan view thereof.  
 The broken lines in FIGS. 1-2 and 4-6 are for the purposes of illustrating environment only and form no part of the claimed design.

**1 Claim, 8 Drawing Sheets**

(56) **References Cited**

**U.S. PATENT DOCUMENTS**

D433,995 S *	11/2000	Romano	.....	D13/110
D440,937 S *	4/2001	Germagian	.....	D13/110
D456,352 S	4/2002	Germagian		
D484,850 S	1/2004	Johnson		
D563,868 S	3/2008	Christopher et al.		
D655,244 S *	3/2012	Au	.....	D13/108
D680,491 S	4/2013	Paschke et al.		



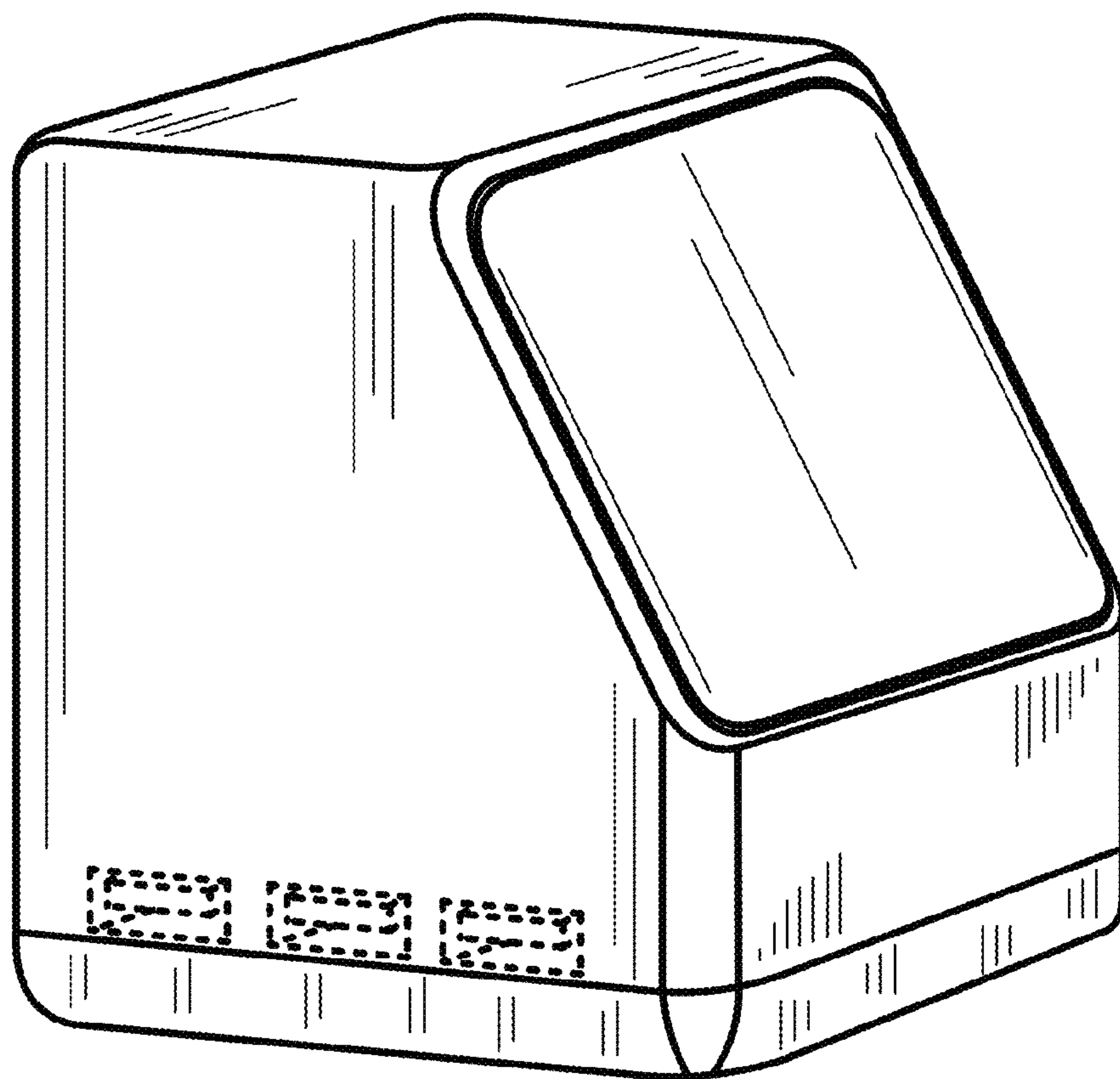


FIG. 1

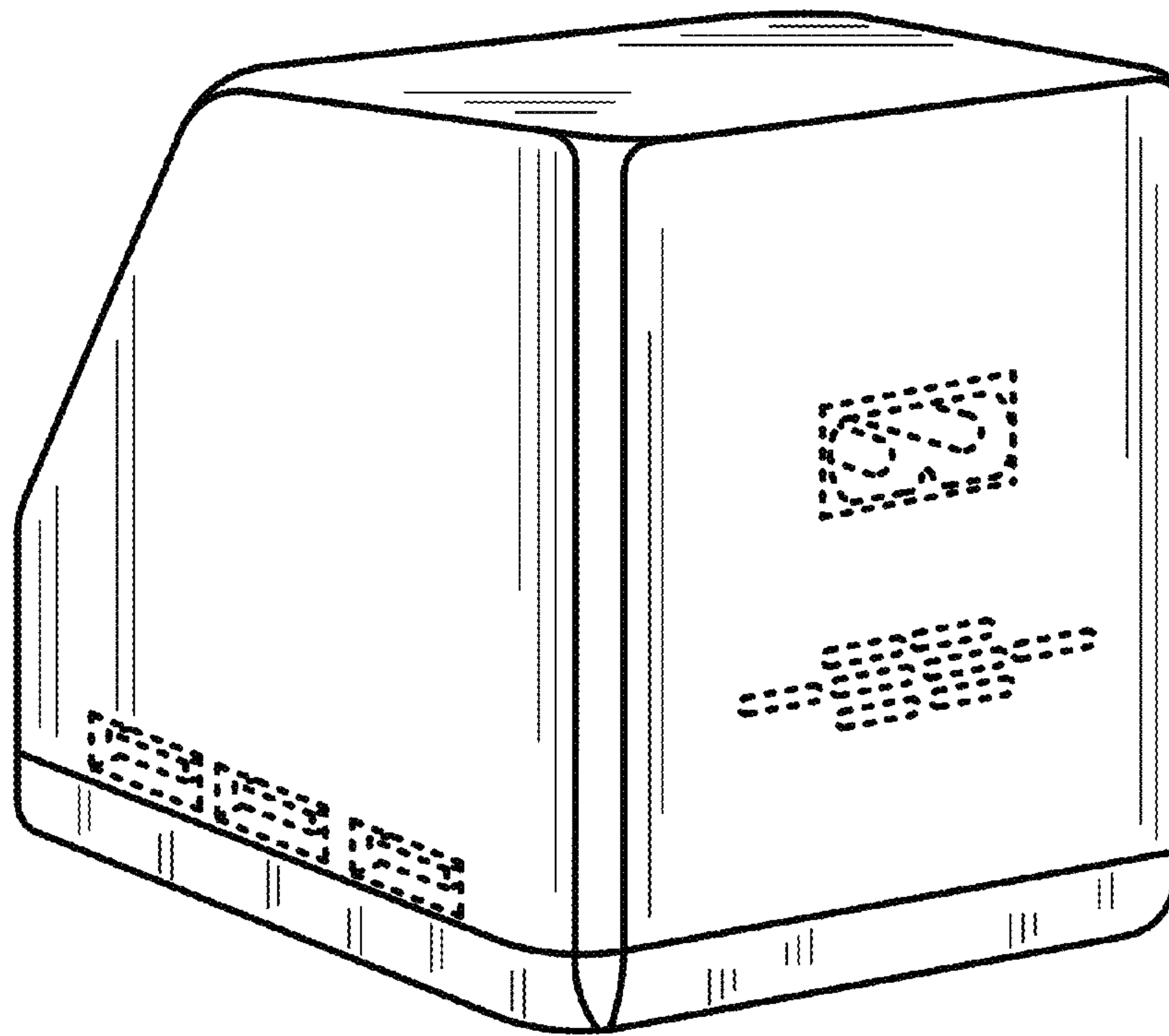


FIG. 2

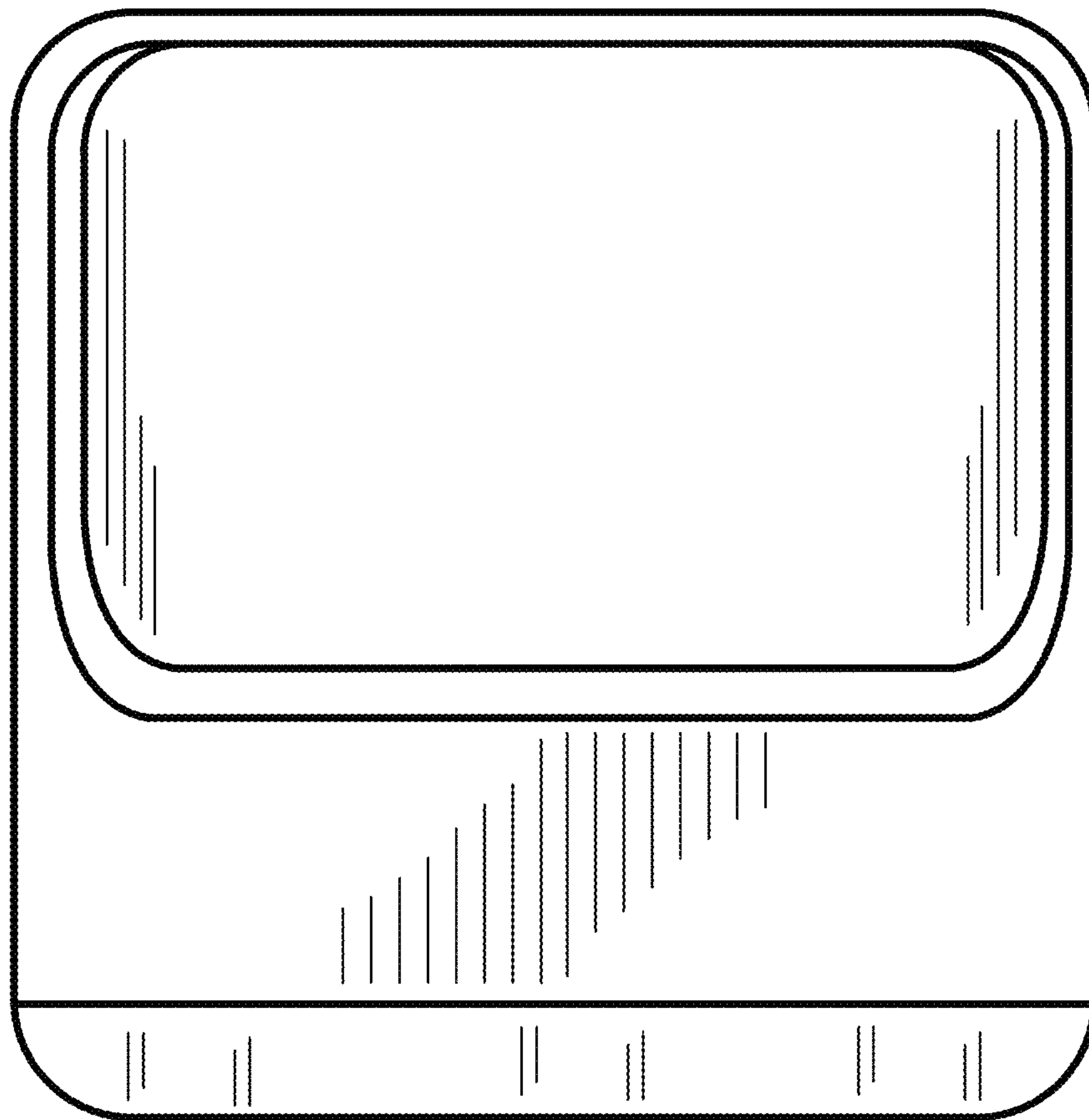


FIG. 3

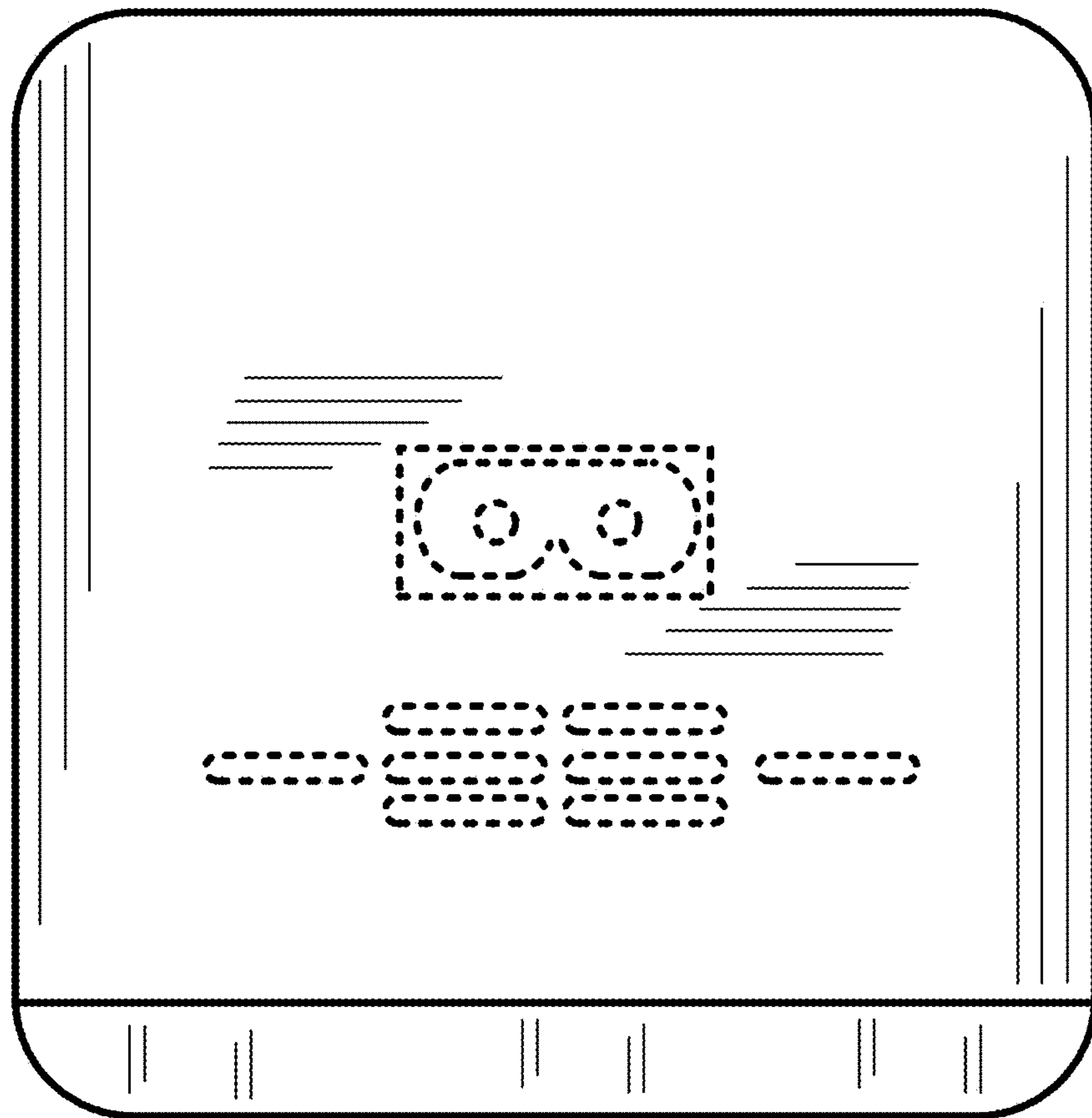


FIG. 4

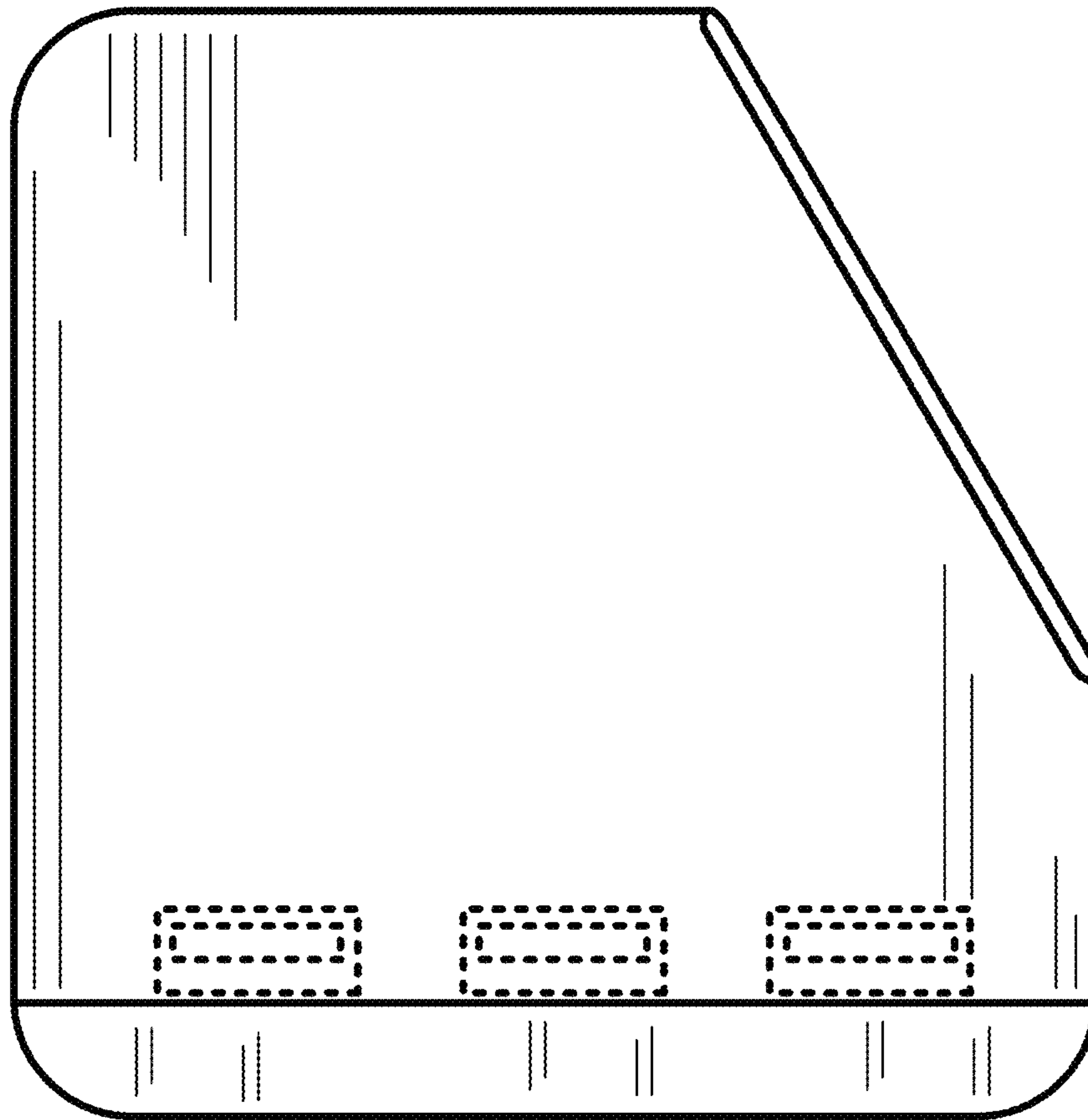


FIG. 5



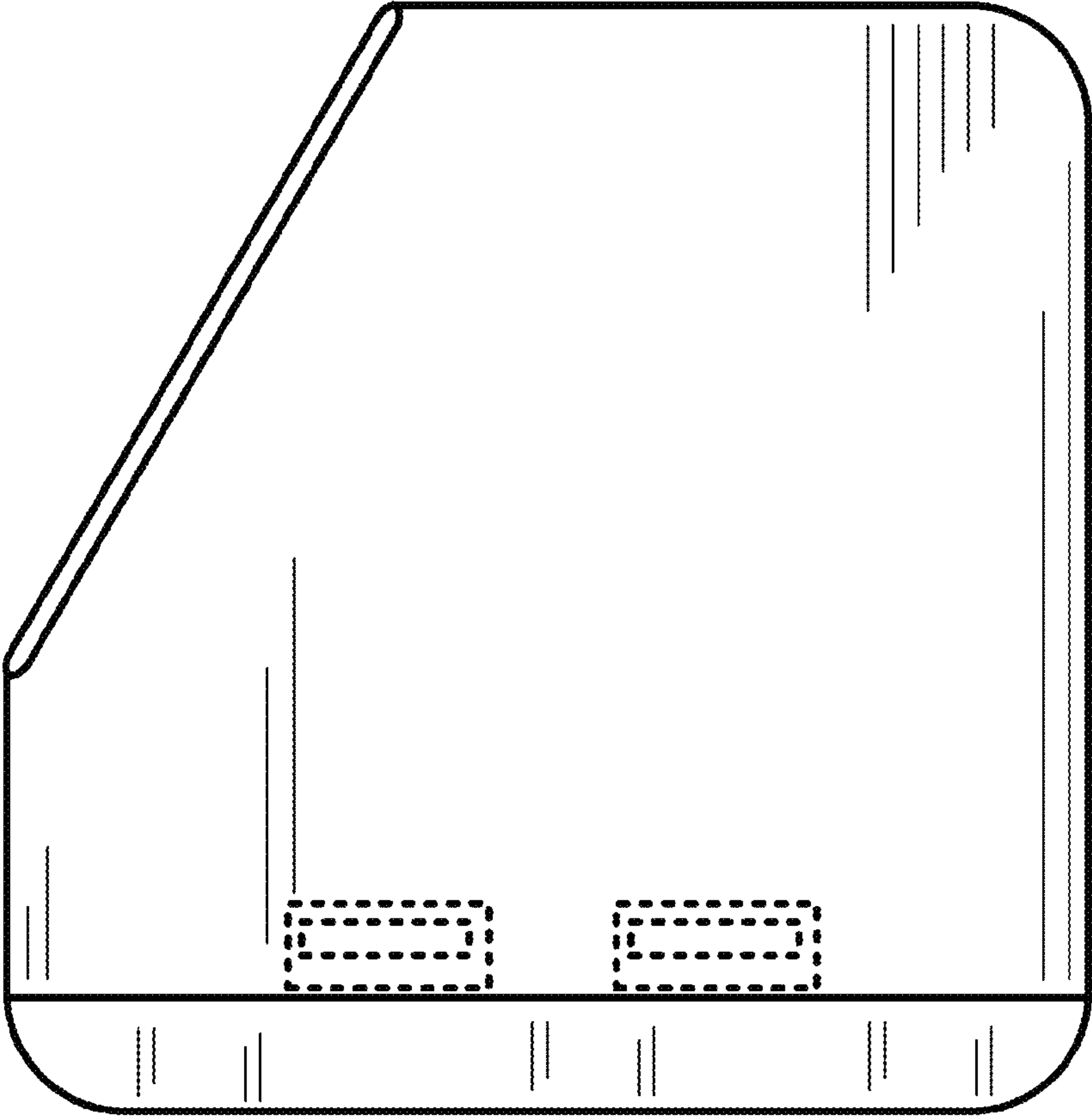


FIG. 6

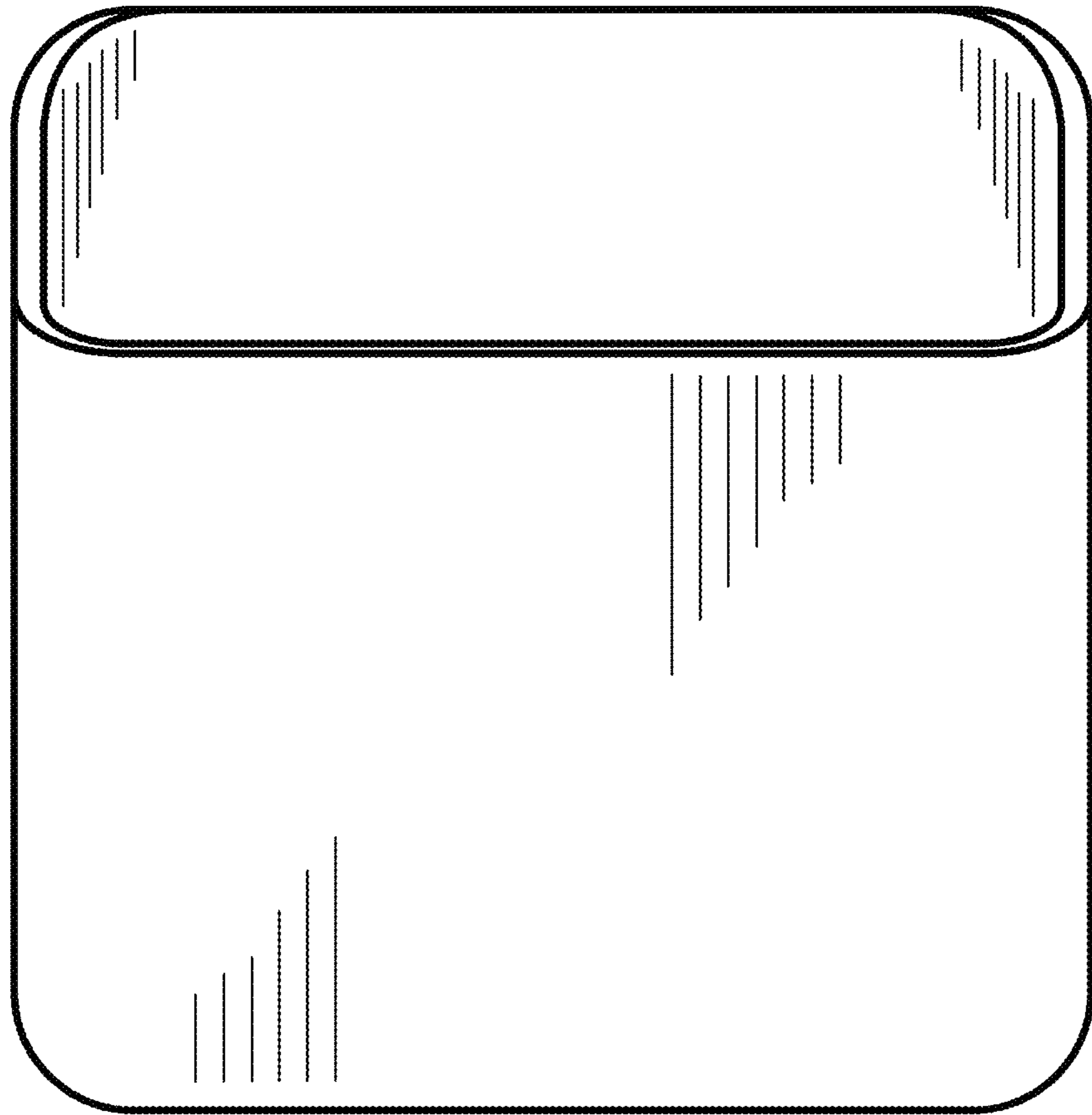


FIG. 7



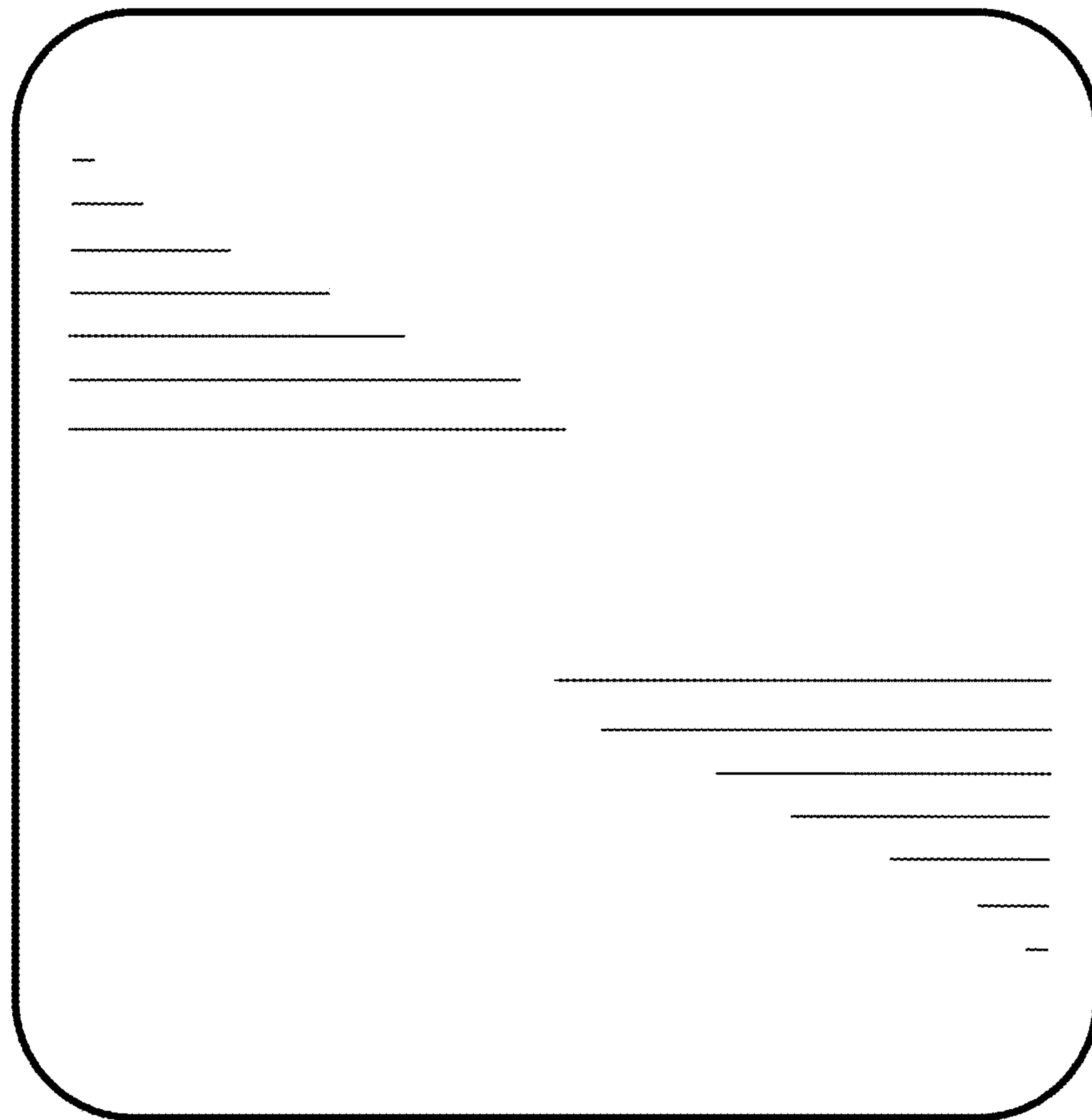


FIG. 8