



US00D756910S

(12) **United States Design Patent**  
**Gupta et al.**

(10) **Patent No.:** **US D756,910 S**

(45) **Date of Patent:** **\*\* May 24, 2016**

(54) **COMBINATION BATTERY AND CASE FOR ELECTRONIC EQUIPMENT**

(71) Applicants: **Sumeet Kumar Gupta**, Santa Monica, CA (US); **Joseph Bryant Carrillo**, Los Angeles, CA (US)

(72) Inventors: **Sumeet Kumar Gupta**, Santa Monica, CA (US); **Joseph Bryant Carrillo**, Los Angeles, CA (US)

(\*\*) Term: **14 Years**

(21) Appl. No.: **29/512,597**

(22) Filed: **Dec. 19, 2014**

(51) **LOC (10) Cl.** ..... **13-02**

(52) **U.S. Cl.**  
USPC ..... **D13/103; D14/250**

(58) **Field of Classification Search**  
USPC ..... D13/102–110, 118–119, 184, 199, 133, D13/144; D14/251, 253, 432, 434, 356, D14/155, 163, 176, 250; 439/300, 620.01, 439/638, 668–669, 675, 825; 320/107–115  
CPC ..... Y02E 60/12; Y02E 60/10; Y02E 60/122; Y02E 60/124; Y02E 60/50; Y02T 90/14; Y02T 90/122; Y02T 90/128; Y02T 90/163; H02J 7/025; H02J 7/0042; H02J 7/0044; H02J 7/0045; H02J 7/0003; H01F 38/14; H01R 13/6675; H01M 2/1022; H01M 2/1055; H01M 10/44; H01M 10/46; H01M 10/425; B60L 11/182  
See application file for complete search history.

(56) **References Cited**

**U.S. PATENT DOCUMENTS**

D515,027 S *	2/2006	Groh	.....	D13/103
D653,202 S *	1/2012	Hasbrook	.....	D13/103
D663,263 S	7/2012	Gupta et al.		
D676,432 S *	2/2013	Hasbrook	.....	D14/250
D677,249 S *	3/2013	Li	.....	D14/250
8,390,255 B1 *	3/2013	Fathollahi	.....	H02J 7/0045 206/308.3
D679,271 S *	4/2013	Liu	.....	D13/103

D681,620 S *	5/2013	Huskinson	.....	D14/250
D686,199 S *	7/2013	Fahrendorff	.....	D14/250
D687,426 S *	8/2013	Requa	.....	D14/250
D698,774 S *	2/2014	Wardy	.....	D14/250
D706,254 S *	6/2014	Chang	.....	D14/217
D710,795 S	8/2014	Gupta et al.		
D711,863 S *	8/2014	Wen	.....	D14/250
D714,278 S *	9/2014	Case	.....	D14/250
D716,784 S *	11/2014	Wen	.....	D14/250
D718,754 S *	12/2014	To	.....	D14/250
D721,685 S *	1/2015	Hasbrook	.....	D14/250
D721,687 S *	1/2015	To	.....	D14/250
D723,530 S *	3/2015	Namminga	.....	D14/250

(Continued)

*Primary Examiner* — Rosemary K Tarcza

*Assistant Examiner* — Sanjeev Paul

(74) *Attorney, Agent, or Firm* — QuickPatents, LLC; Kevin Prince

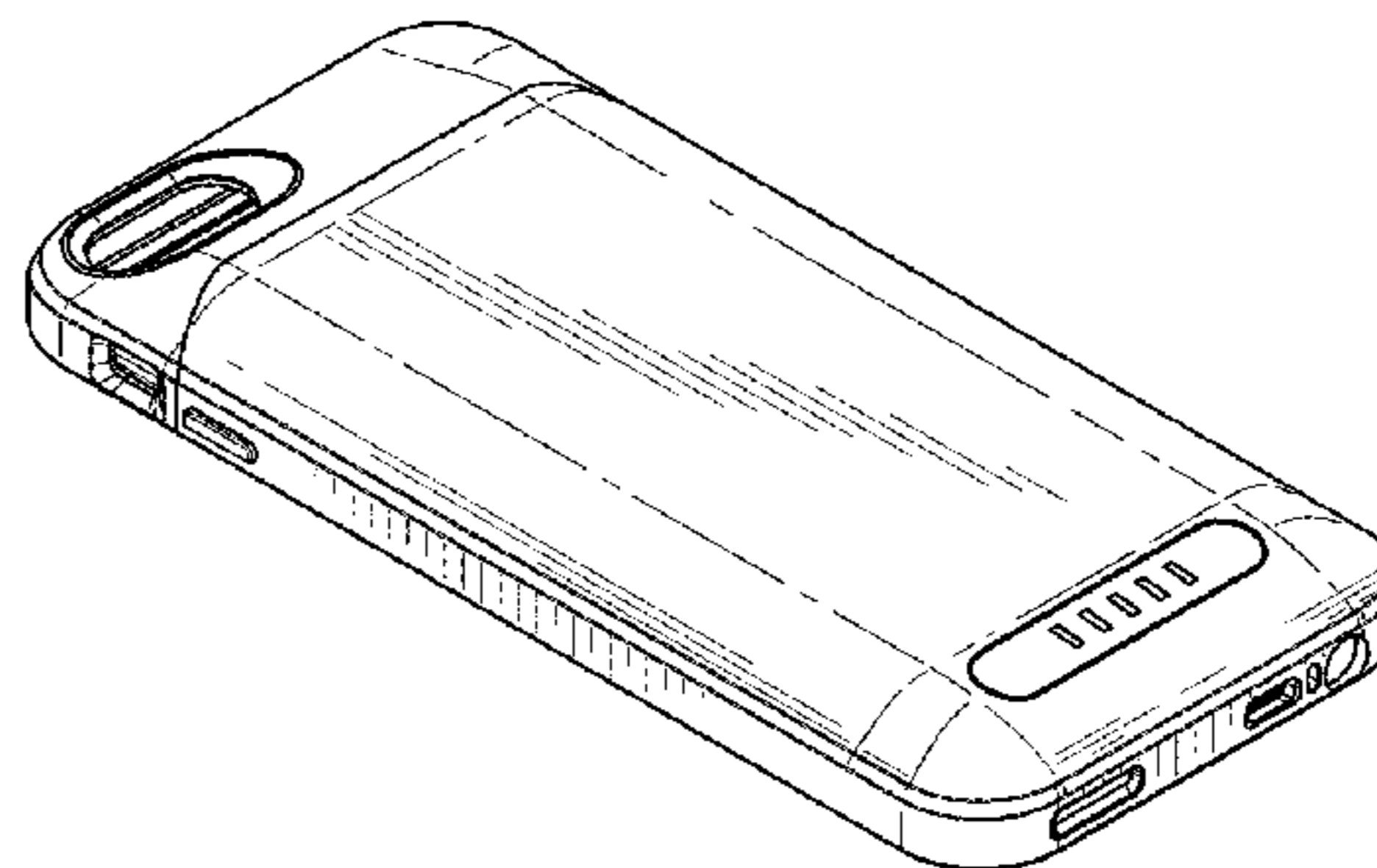
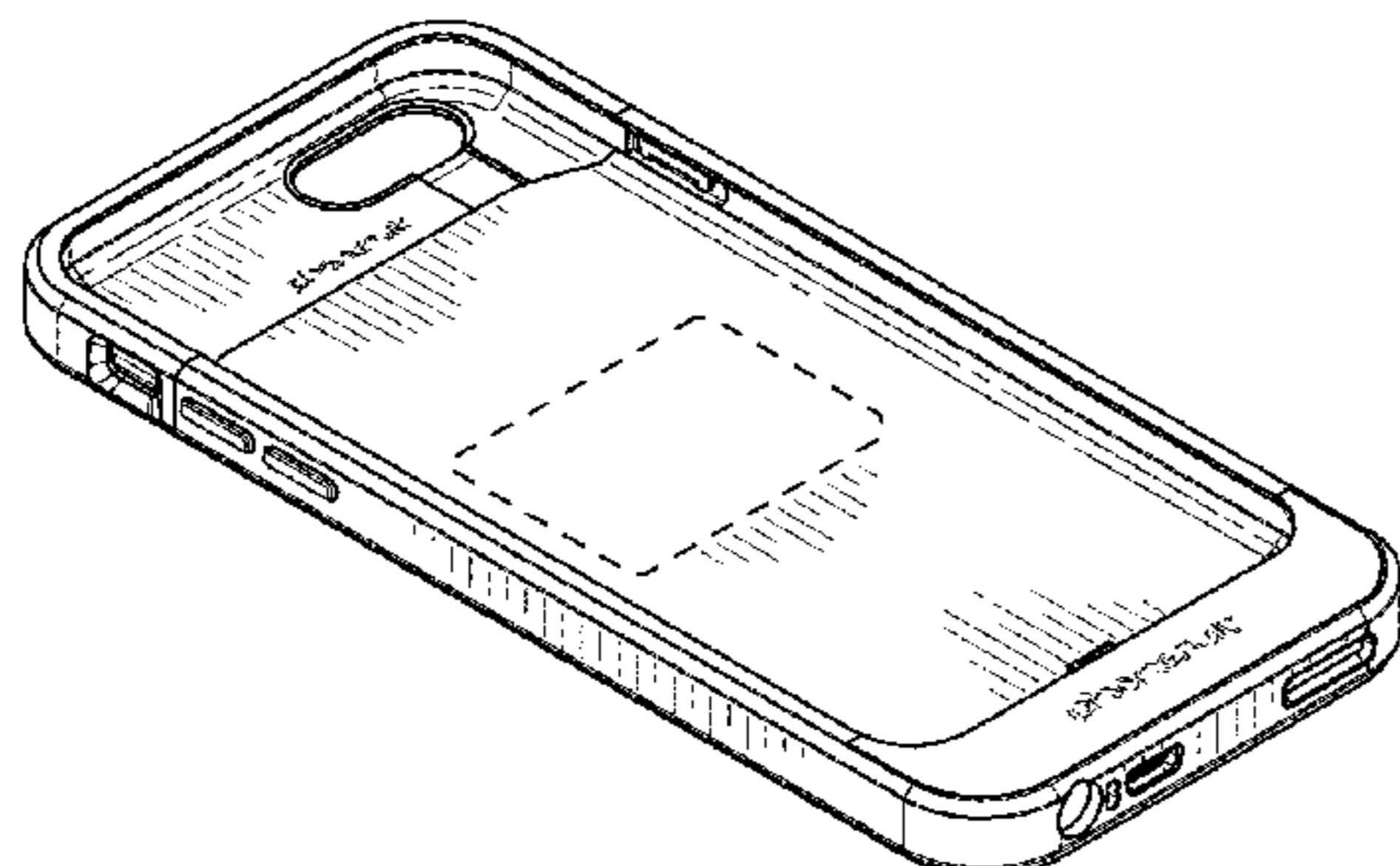
(57) **CLAIM**

We claim the ornamental design for a combination battery and case for electronic equipment, as shown and described.

**DESCRIPTION**

FIG. 1 is a front perspective view of a combination battery and case for electronic equipment, showing our new design; FIG. 2 is a rear perspective view thereof; FIG. 3 is a front elevational view thereof; FIG. 4 is a rear elevational view thereof; FIG. 5 is a right-side elevational view thereof; FIG. 6 is a left-side elevational view thereof; FIG. 7 is a top plan view thereof; FIG. 8 is a bottom plan view thereof; FIG. 9 is an exploded front perspective view thereof; FIG. 10 is an exploded front elevational view thereof; FIG. 11 is an exploded rear elevational view thereof; FIG. 12 is an exploded right-side elevational view thereof; and, FIG. 13 is an exploded left-side elevational view thereof. The broken line shown in the drawings of the combination battery and case for electronic equipment are included for the purpose of illustrating environmental structure and form no part of the claimed design.

**1 Claim, 6 Drawing Sheets**



(56)

**References Cited**

U.S. PATENT DOCUMENTS

D725,091 S \* 3/2015 Wen ..... D14/250  
D728,548 S \* 5/2015 Keung ..... D14/250  
D728,552 S \* 5/2015 Kim ..... D14/250  
D740,798 S \* 10/2015 Poon ..... D14/250  
D745,866 S \* 12/2015 Adelman ..... D14/250  
2012/0303520 A1\* 11/2012 Huang ..... H01M 10/46  
705/39

2013/0314880 A1\* 11/2013 Sun ..... H02J 7/0044  
361/730  
2014/0078671 A1\* 3/2014 Hong ..... H04B 1/3888  
361/679.56  
2015/0207360 A1\* 7/2015 Adams ..... H02J 7/35  
320/101  
2015/0256026 A1\* 9/2015 Rybkiewicz ..... H02J 7/0044  
320/101  
2015/0320196 A1\* 11/2015 Polizzi ..... A47B 5/04  
320/101

\* cited by examiner

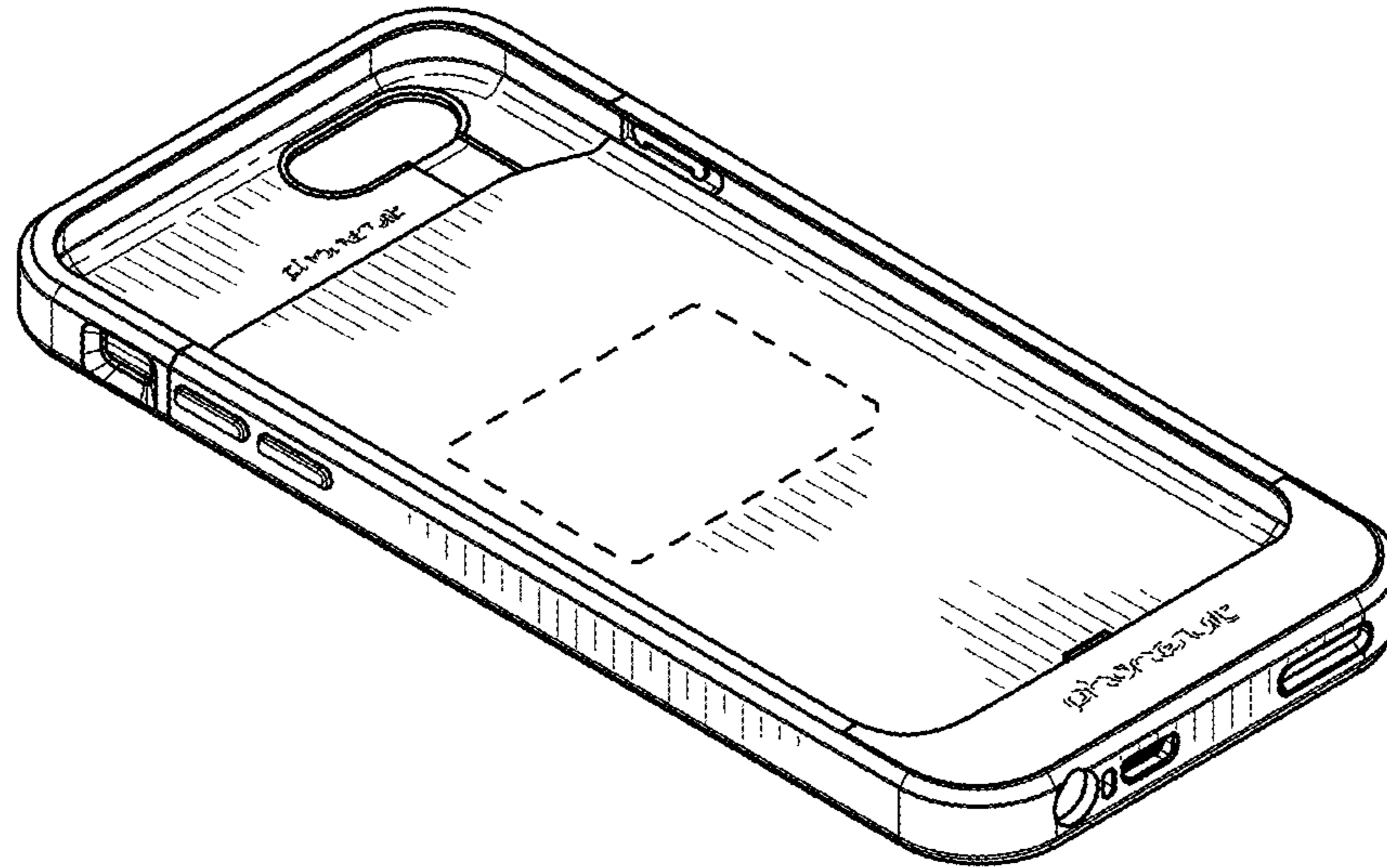


FIG. 1

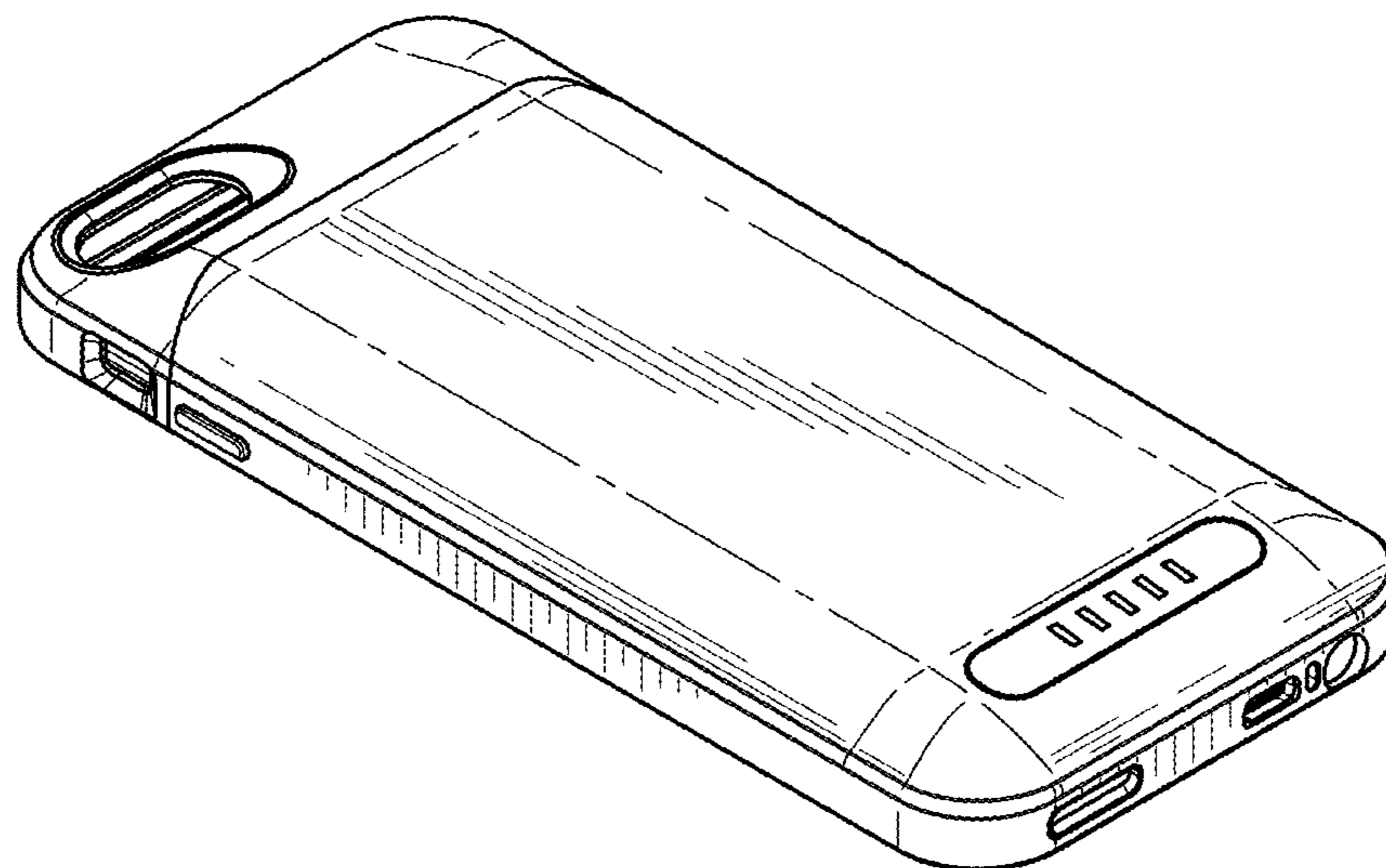


FIG. 2



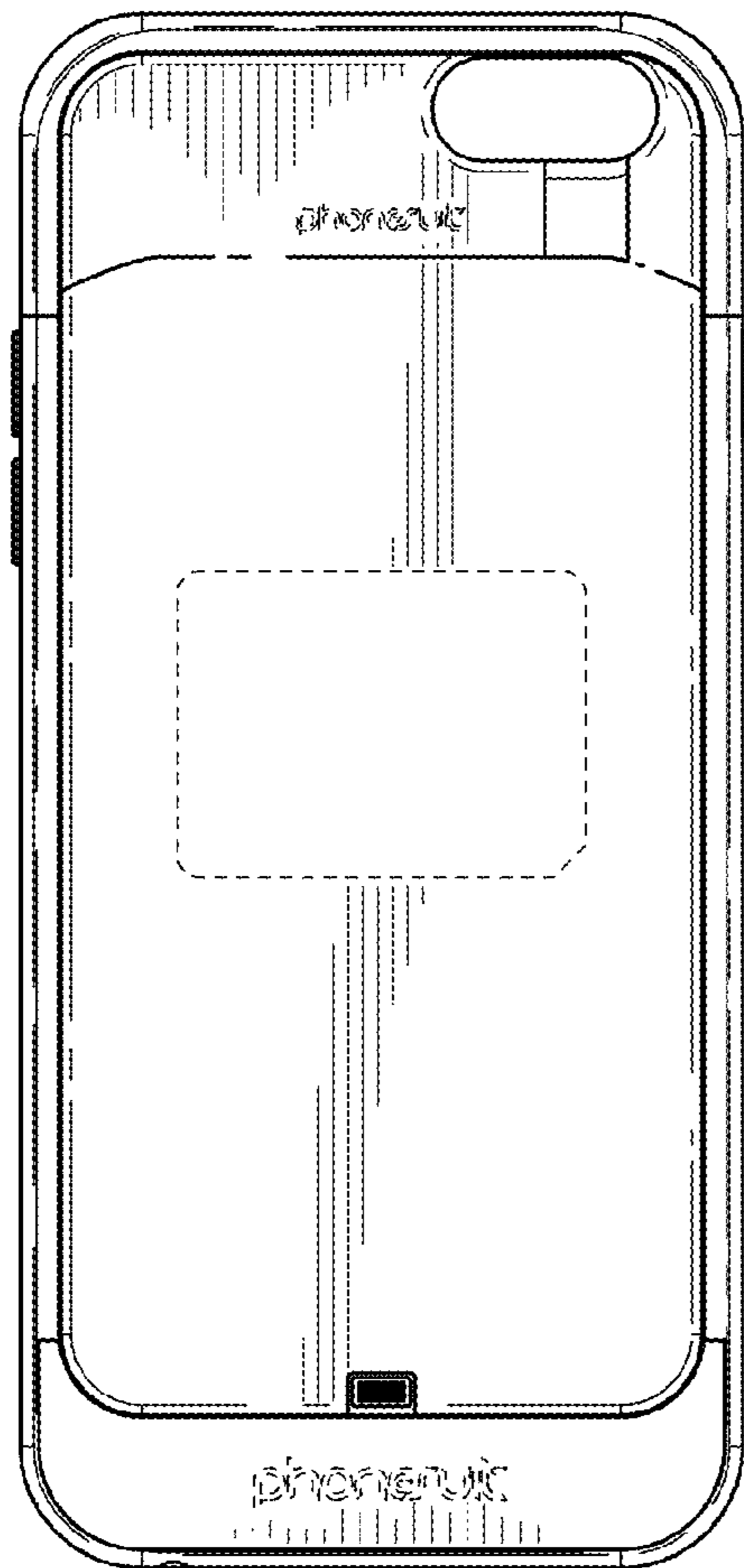


FIG. 3

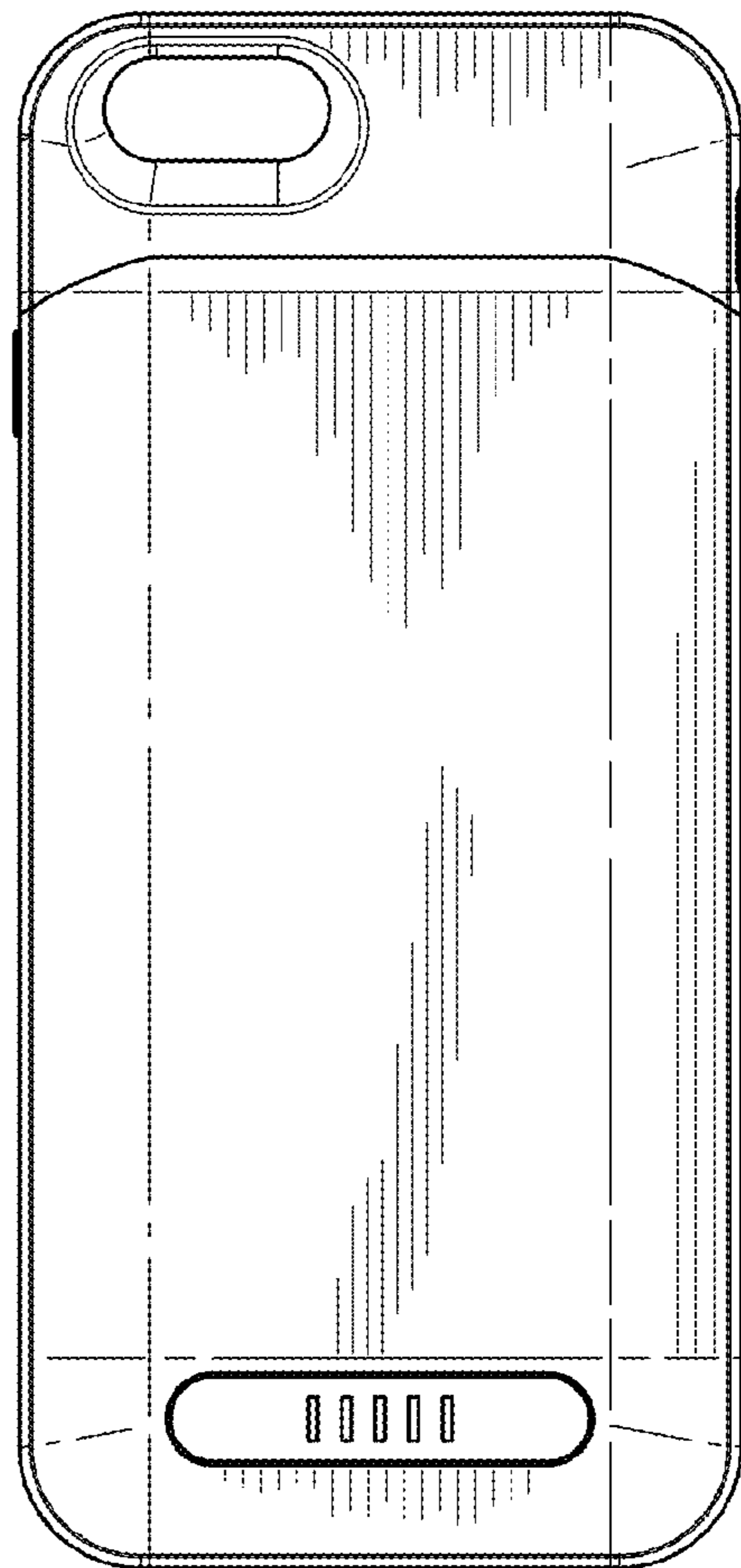


FIG. 4

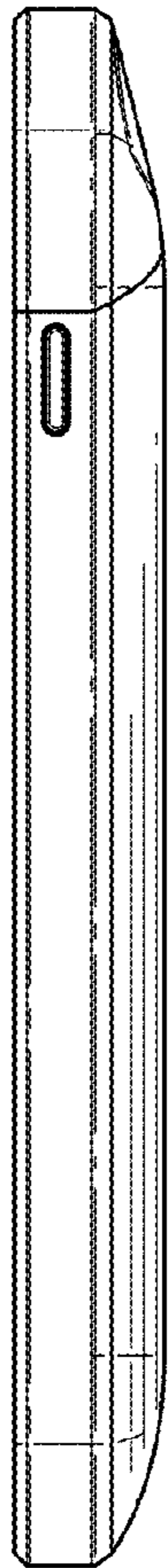


FIG. 5

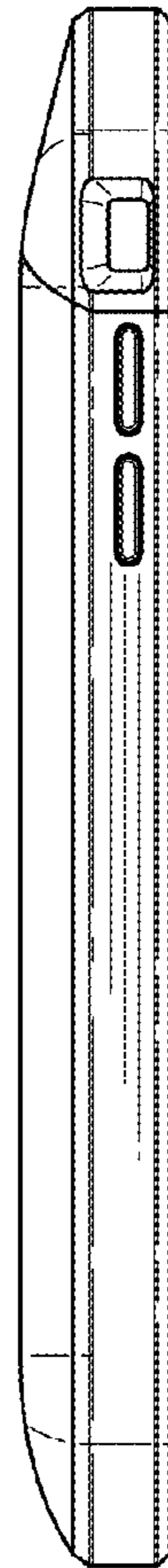


FIG. 6

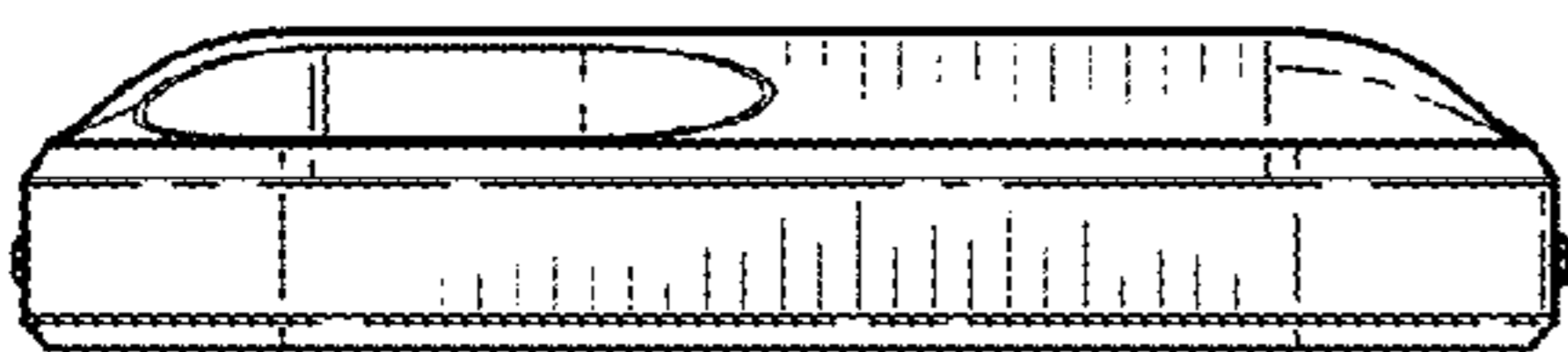


FIG. 7

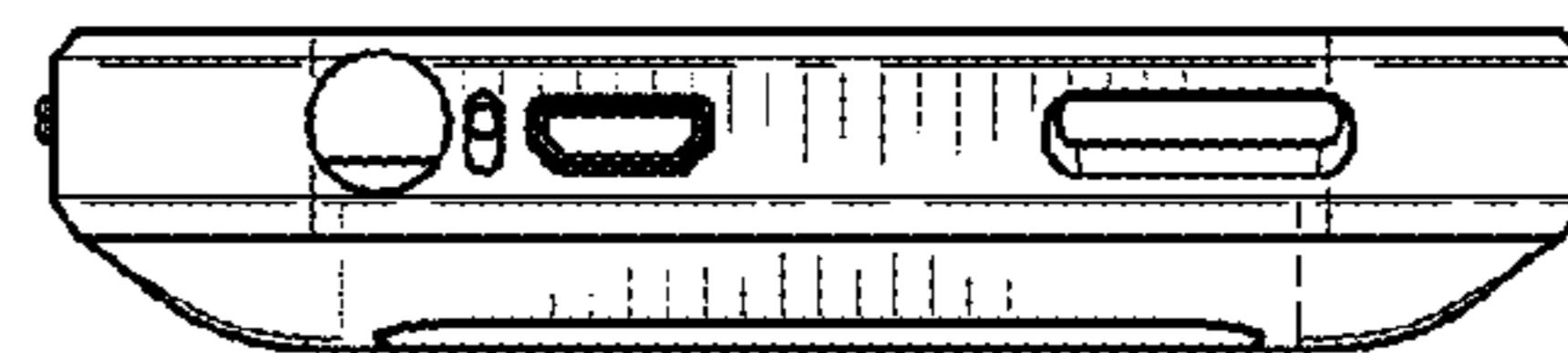


FIG. 8

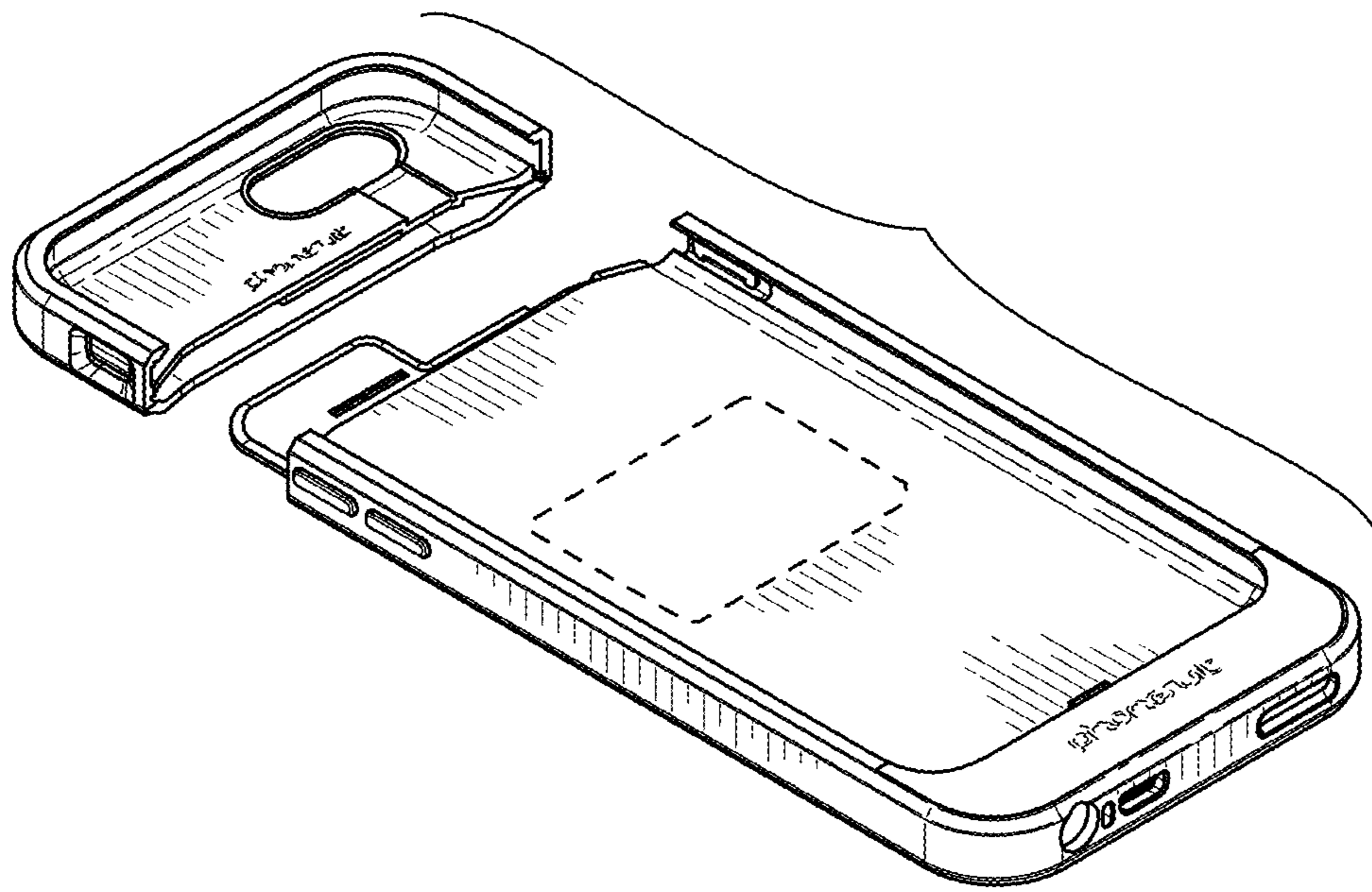


FIG. 9

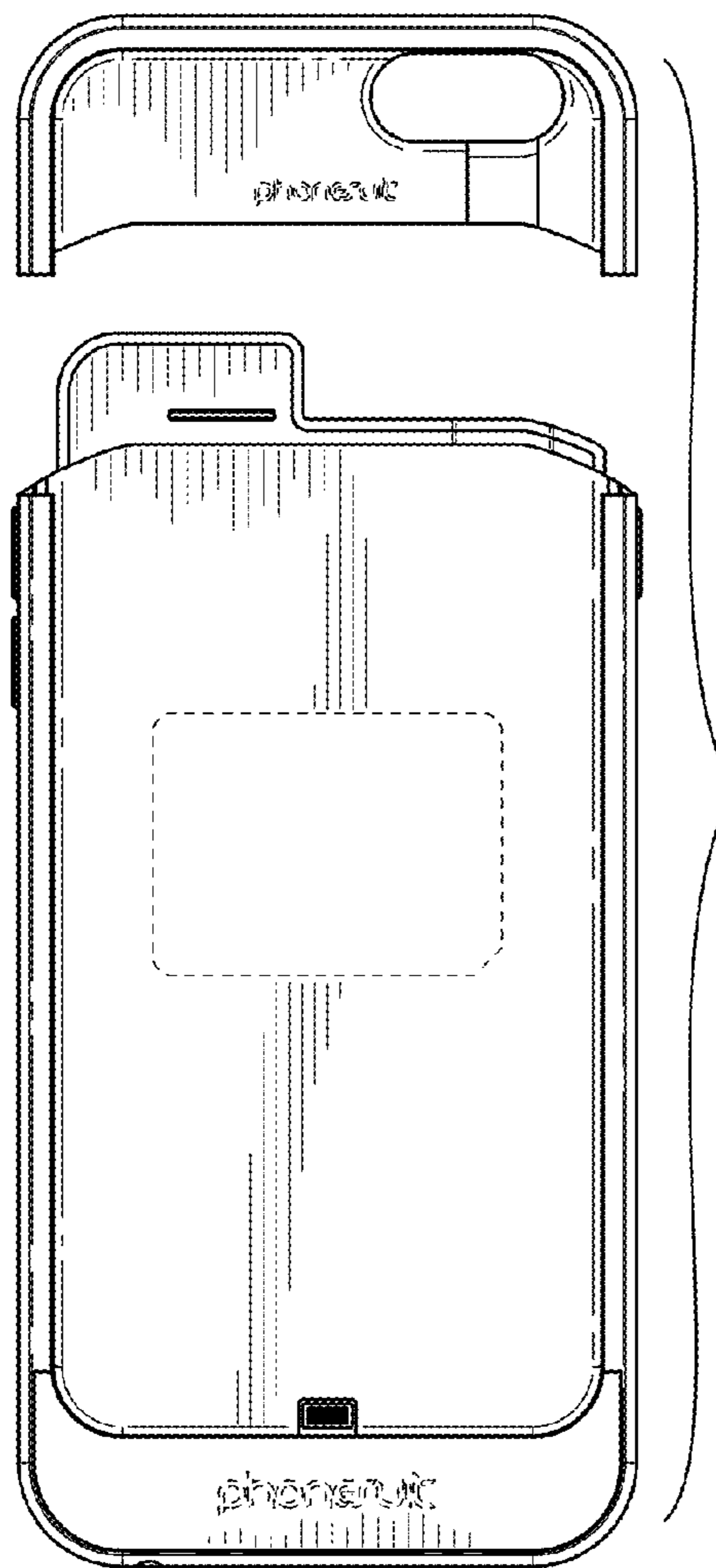


FIG. 10

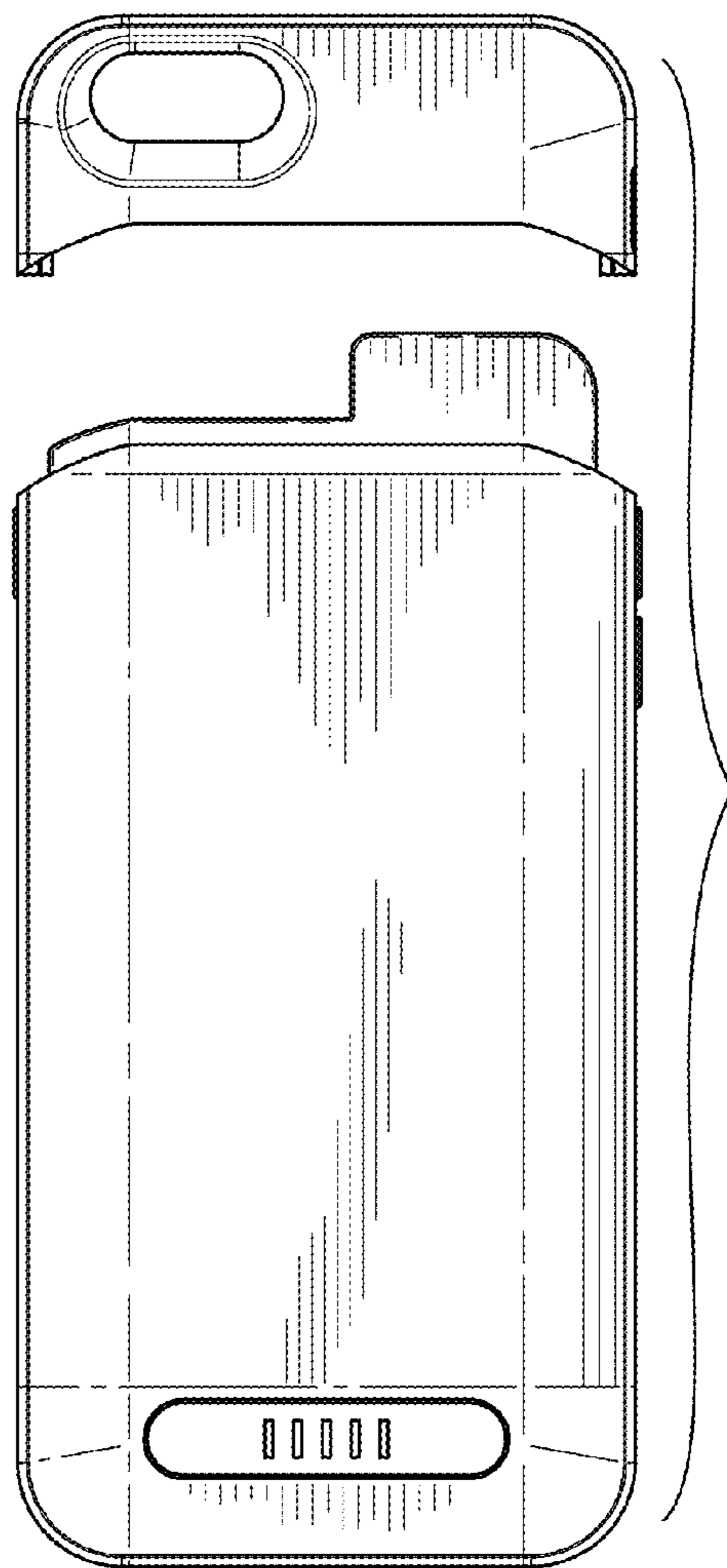


FIG. 11

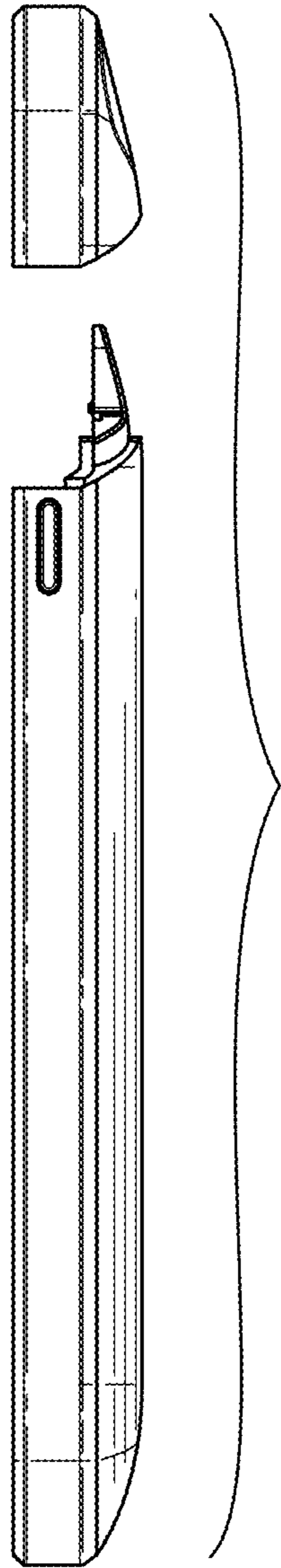


FIG. 12

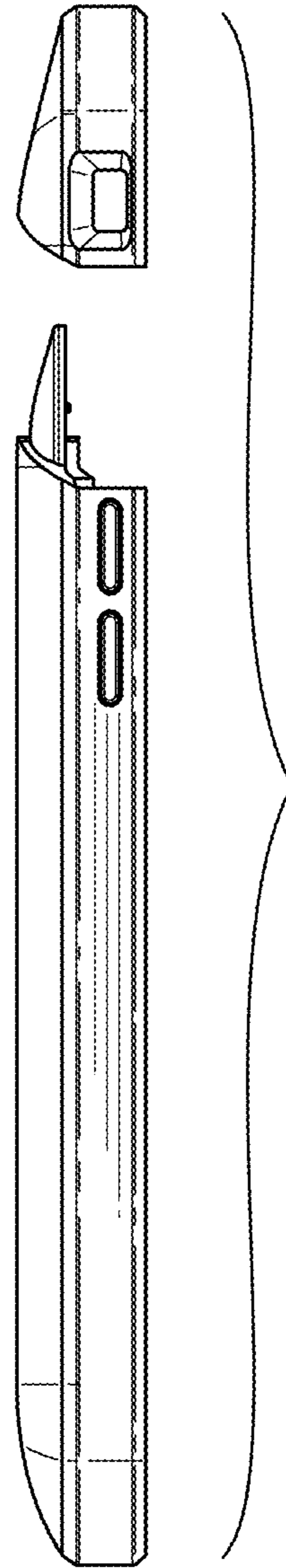


FIG. 13