



US00D756909S

(12) **United States Design Patent**
Gupta et al.

(10) **Patent No.:** **US D756,909 S**
(45) **Date of Patent:** **** May 24, 2016**

(54) **COMBINATION BATTERY AND CASE FOR ELECTRONIC EQUIPMENT**

(71) Applicants: **Sumeet Kumar Gupta**, Santa Monica, CA (US); **Joseph Bryant Carrillo**, Los Angeles, CA (US)

(72) Inventors: **Sumeet Kumar Gupta**, Santa Monica, CA (US); **Joseph Bryant Carrillo**, Los Angeles, CA (US)

(**) Term: **14 Years**

(21) Appl. No.: **29/512,596**

(22) Filed: **Dec. 19, 2014**

(51) **LOC (10) Cl.** **13-02**

(52) **U.S. Cl.**
USPC **D13/103; D14/250**

(58) **Field of Classification Search**
USPC D13/102–110, 118–119, 184, 199, 133, D13/144; D14/251, 253, 432, 434, 356, D14/155, 163, 176, 250; 439/300, 620.01, 439/638, 668–669, 675, 825; 320/107–115
CPC Y02E 60/12; Y02E 60/10; Y02E 60/122; Y02E 60/124; Y02E 60/50; Y02T 90/14; Y02T 90/122; Y02T 90/128; Y02T 90/163; H02J 7/025; H02J 7/0042; H02J 7/0044; H02J 7/0045; H02J 7/0003; H01F 38/14; H01R 13/6675; H01M 2/1022; H01M 2/1055; H01M 10/44; H01M 10/46; H01M 10/425; B60L 11/182
See application file for complete search history.

(56) **References Cited**

U.S. PATENT DOCUMENTS

D515,027 S * 2/2006 Groh D13/103
D653,202 S * 1/2012 Hasbrook H01M 10/46
705/39
D663,263 S 7/2012 Gupta et al.
D676,432 S * 2/2013 Hasbrook D14/250
D677,249 S * 3/2013 Li D14/250
8,390,255 B1 * 3/2013 Fathollahi H02J 7/0045
206/308.3

D679,271 S * 4/2013 Liu D13/103
D681,620 S * 5/2013 Huskinson D14/250
D686,199 S * 7/2013 Fahrendorff D14/250
D687,426 S * 8/2013 Requa D14/250
D698,774 S * 2/2014 Wardy D14/250
D706,254 S * 6/2014 Chang D14/217
D710,795 S 8/2014 Gupta et al.
D711,863 S * 8/2014 Wen D14/250
D714,278 S * 9/2014 Case D14/250
D716,784 S * 11/2014 Wen D14/250
D718,754 S * 12/2014 To D14/250
D721,685 S * 1/2015 Hasbrook D14/250
D721,687 S * 1/2015 To D14/250

(Continued)

Primary Examiner — Rosemary K Tarcza

Assistant Examiner — Sanjeev Paul

(74) *Attorney, Agent, or Firm* — QuickPatents, LLC; Kevin Prince

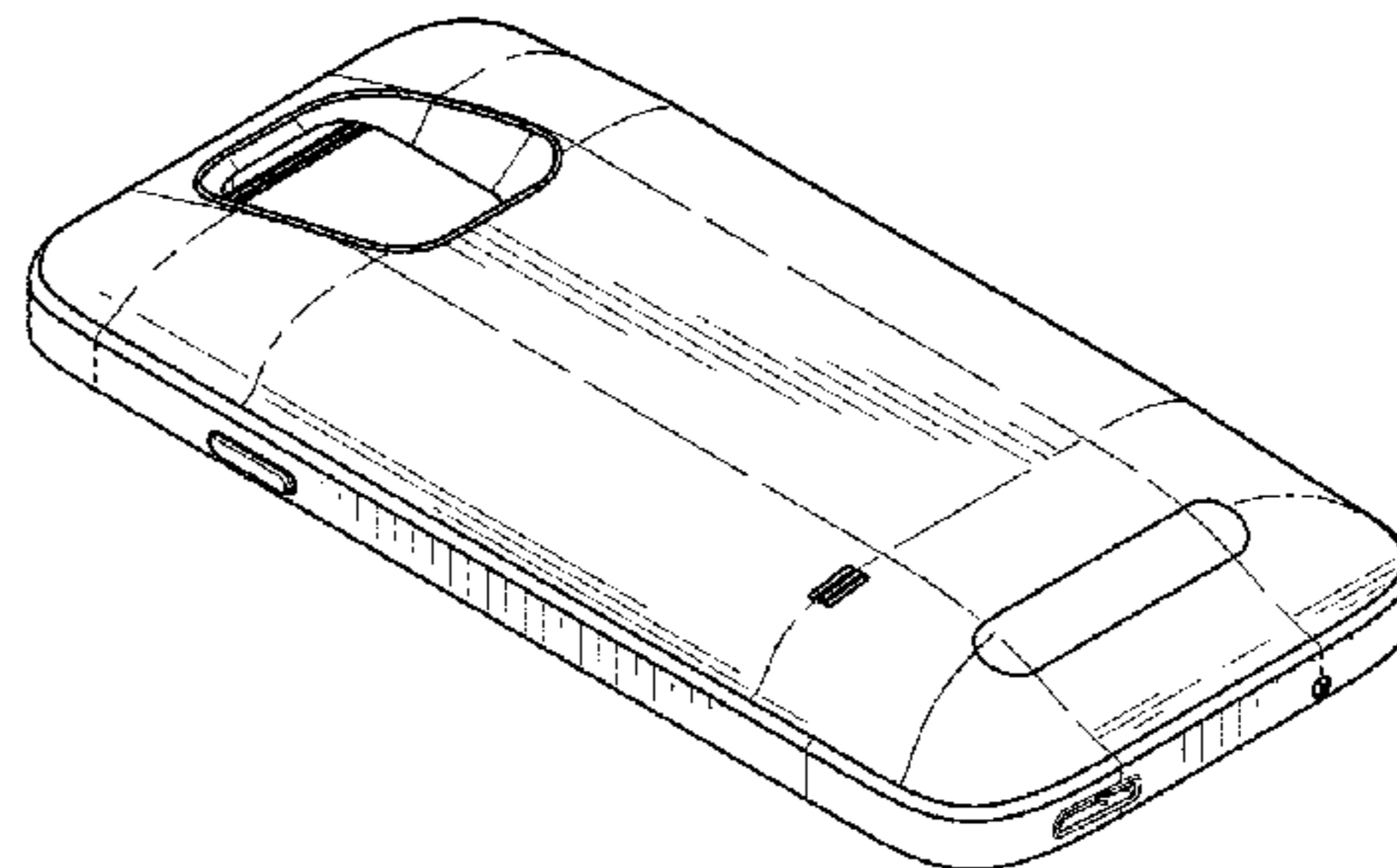
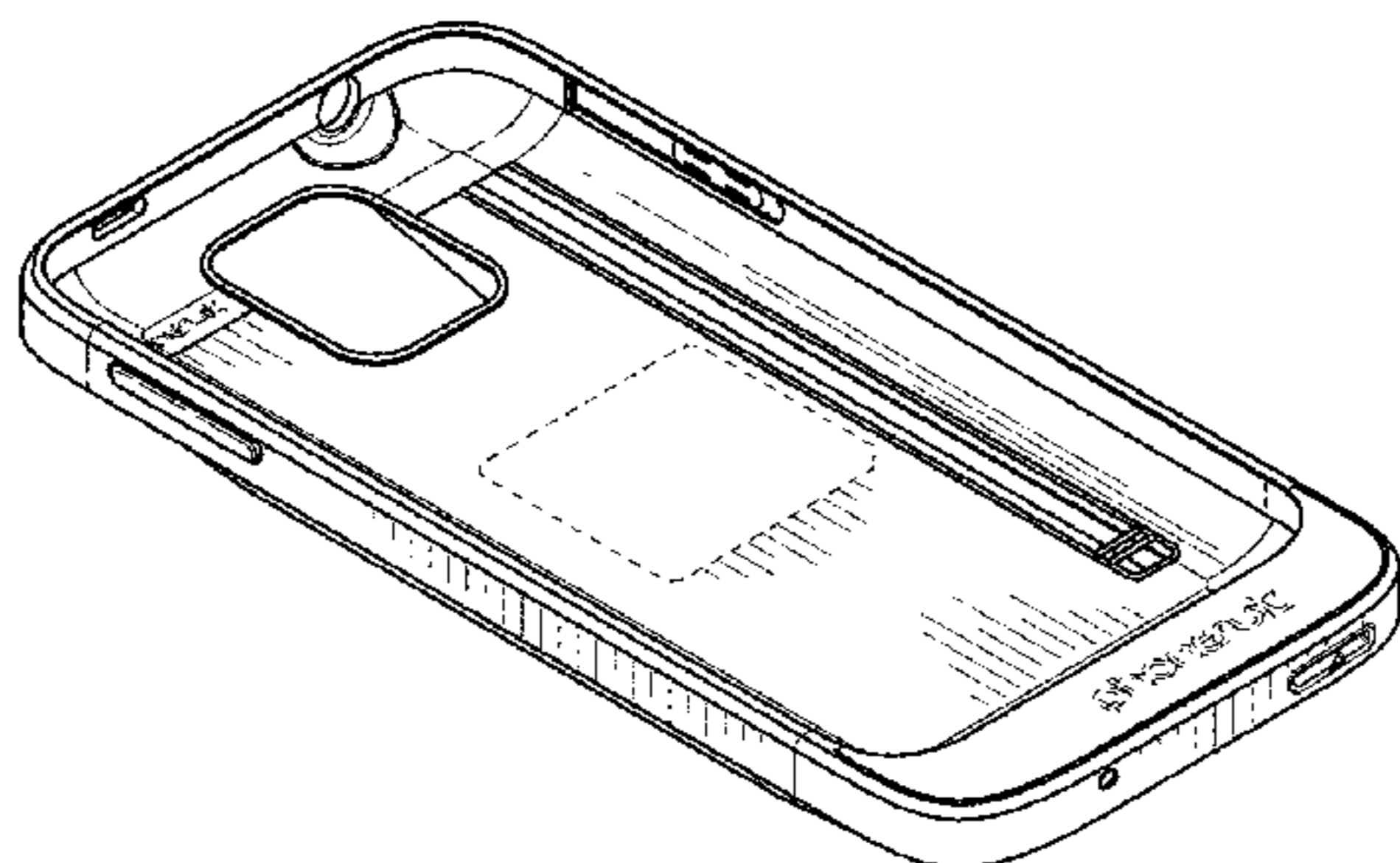
(57) **CLAIM**

We claim the ornamental design for a combination battery and case for electronic equipment, as shown and described.

DESCRIPTION

FIG. 1 is a front perspective view of a combination battery and case for electronic equipment, showing our new design;
FIG. 2 is a rear perspective view thereof;
FIG. 3 is a front elevational view thereof;
FIG. 4 is a rear elevational view thereof;
FIG. 5 is a right-side elevational view thereof;
FIG. 6 is a left-side elevational view thereof;
FIG. 7 is a top plan view thereof;
FIG. 8 is a bottom plan view thereof;
FIG. 9 is an exploded front perspective view thereof;
FIG. 10 is an exploded front elevational view thereof;
FIG. 11 is an exploded rear elevational view thereof;
FIG. 12 is an exploded right-side elevational view thereof;
and,
FIG. 13 is an exploded left-side elevational view thereof.
The broken line shown in the drawings of the combination battery and case for electronic equipment are included for the purpose of illustrating environmental structure and form no part of the claimed design.

1 Claim, 6 Drawing Sheets



(56)

References Cited

U.S. PATENT DOCUMENTS

D723,530 S *	3/2015	Namminga	D14/250	2013/0314880 A1*	11/2013	Sun	H02J 7/0044 361/730
D725,091 S *	3/2015	Wen	D14/250	2014/0078671 A1*	3/2014	Hong	H04B 1/3888 361/679.56
D728,548 S *	5/2015	Keung	D14/250	2015/0207360 A1*	7/2015	Adams	H02J 7/35 320/101
D728,552 S *	5/2015	Kim	D14/250	2015/0256026 A1*	9/2015	Rybiewicz	H02J 7/0044 320/101
D740,798 S *	10/2015	Poon	D14/250	2015/0320196 A1*	11/2015	Polizzi	A47B 5/04 320/101
D745,866 S *	12/2015	Adelman	D14/250				
2012/0303520 A1*	11/2012	Huang					

* cited by examiner

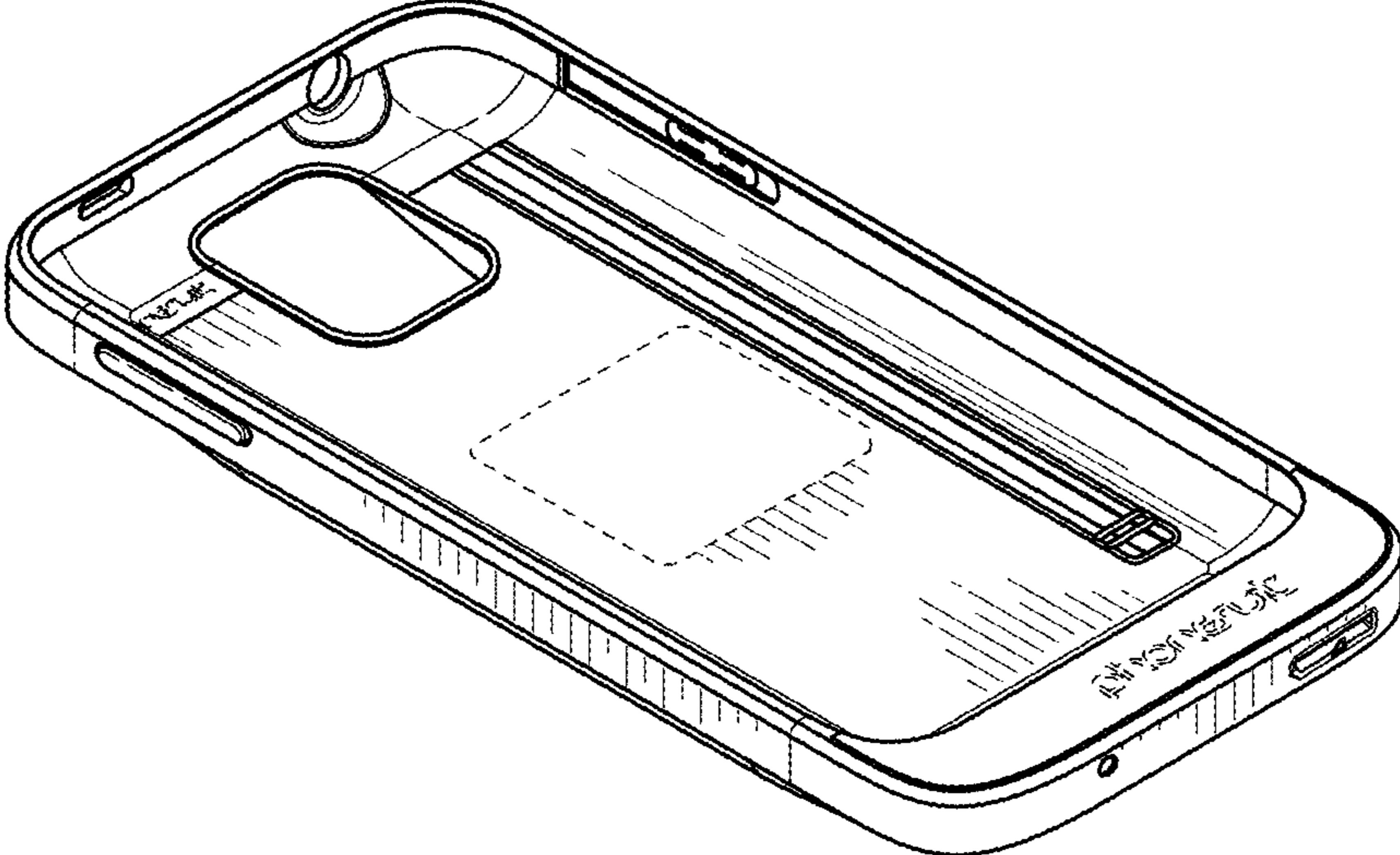


FIG. 1

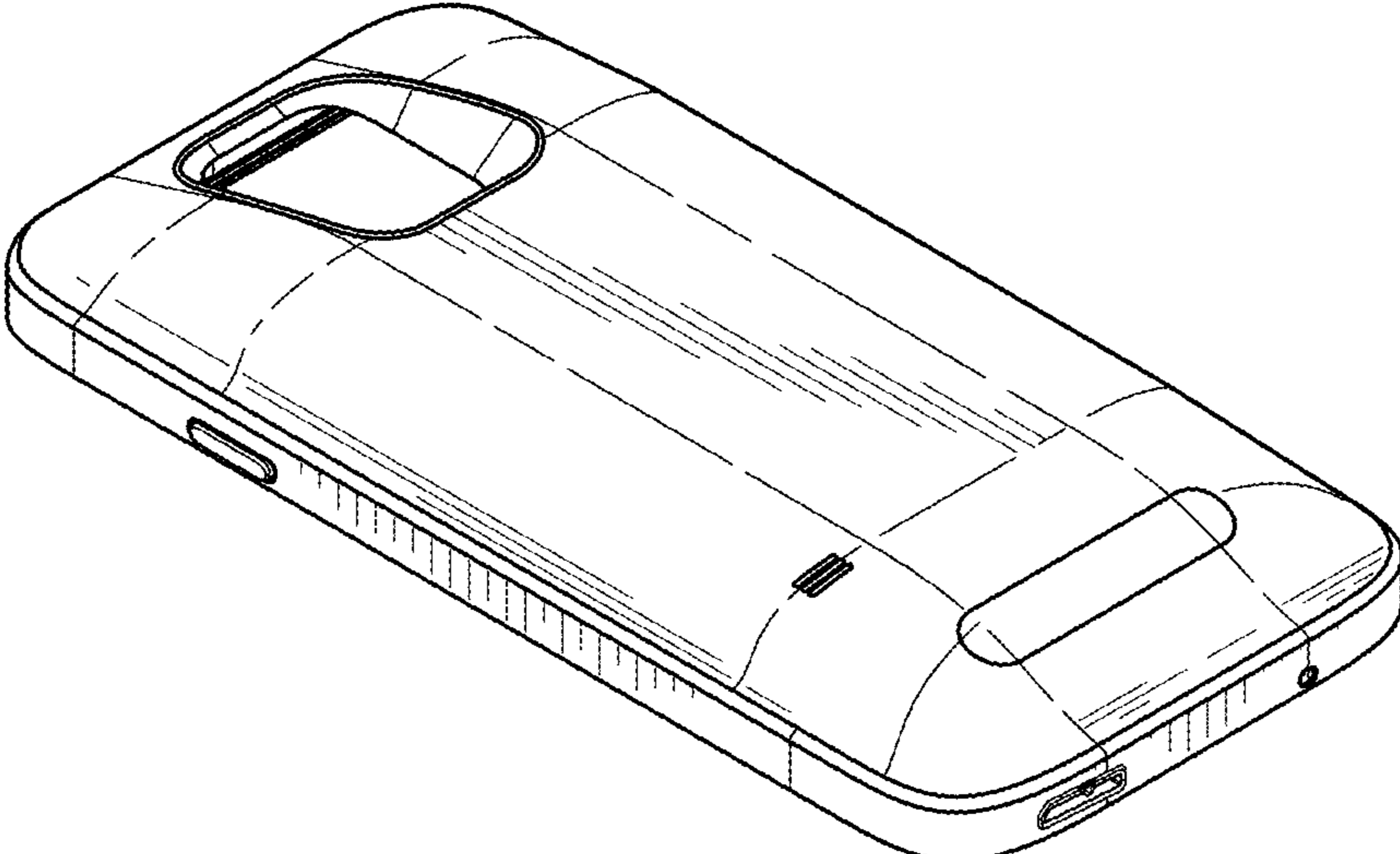


FIG. 2

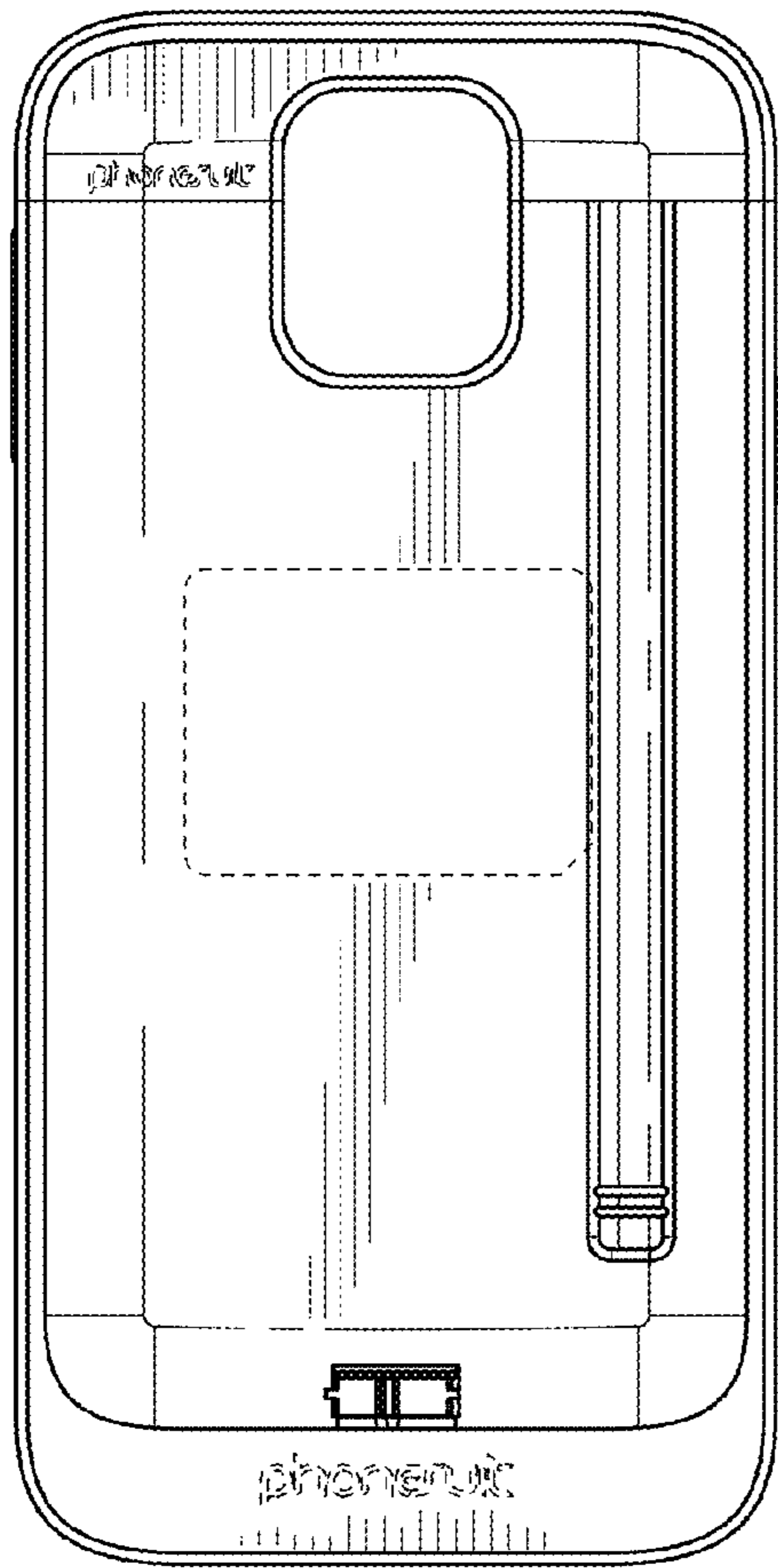


FIG. 3

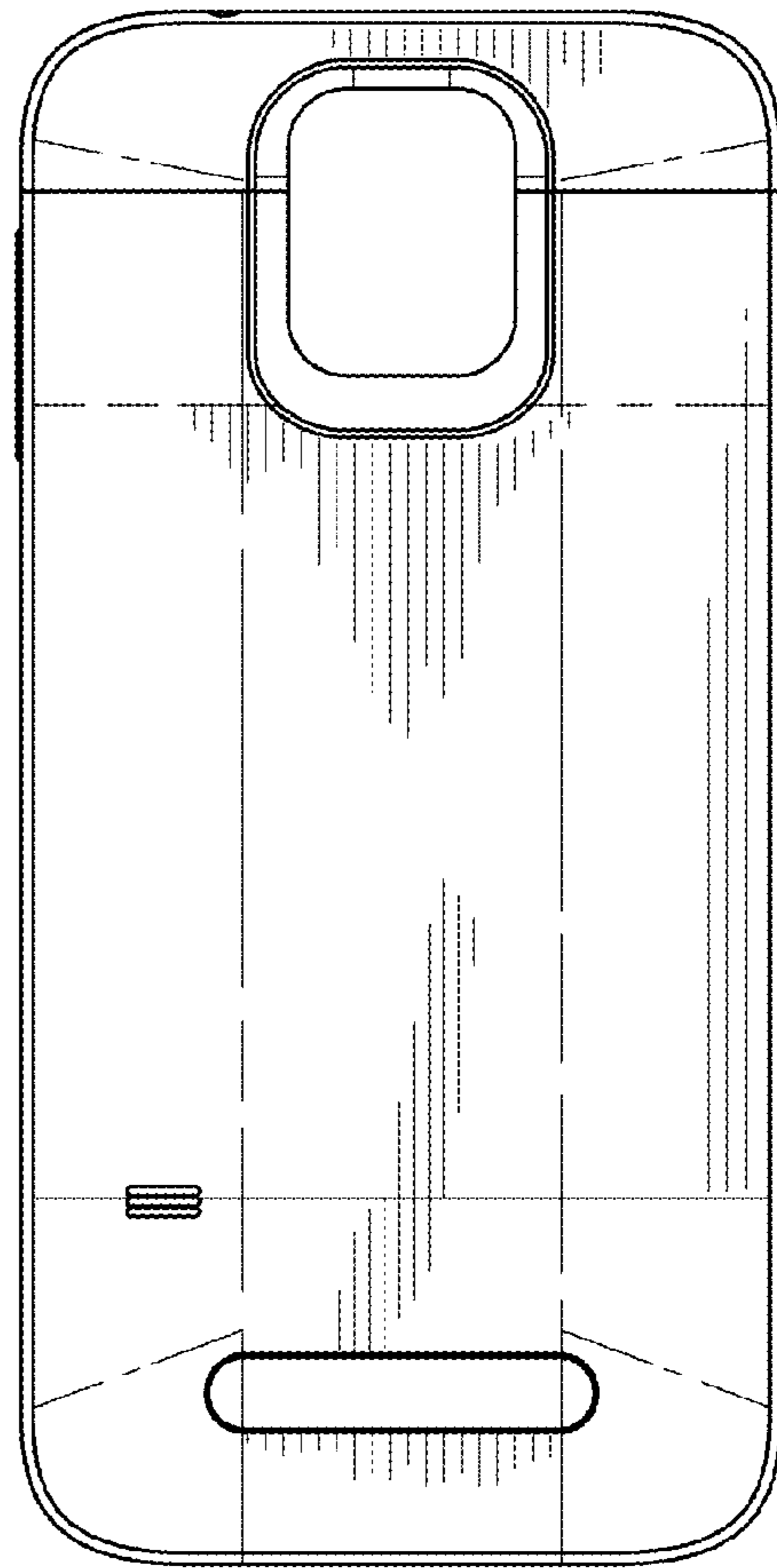


FIG. 4

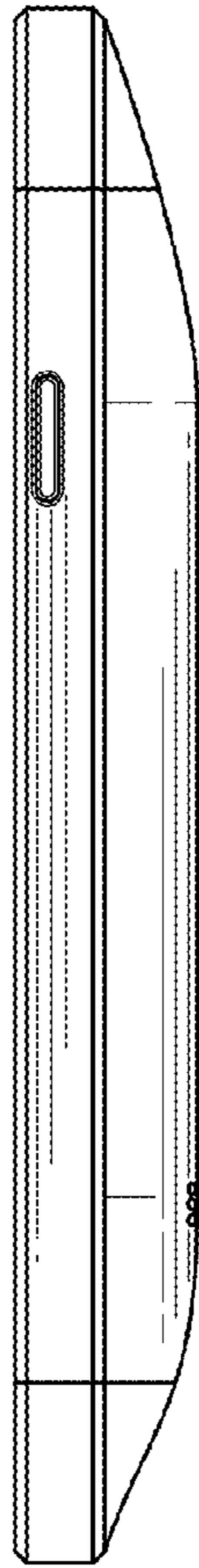


FIG. 5

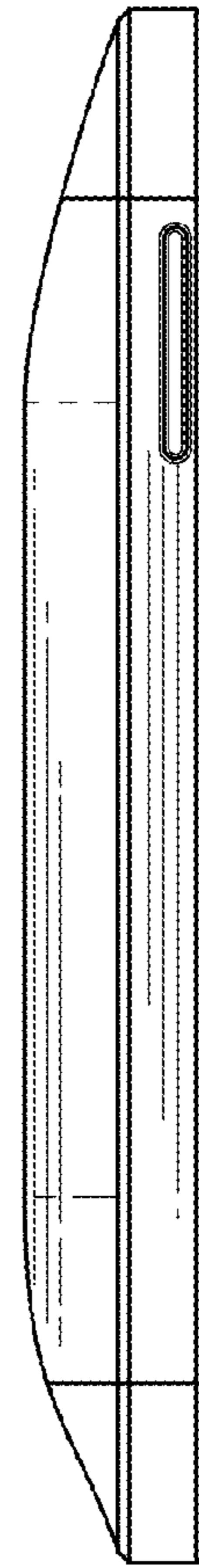


FIG. 6

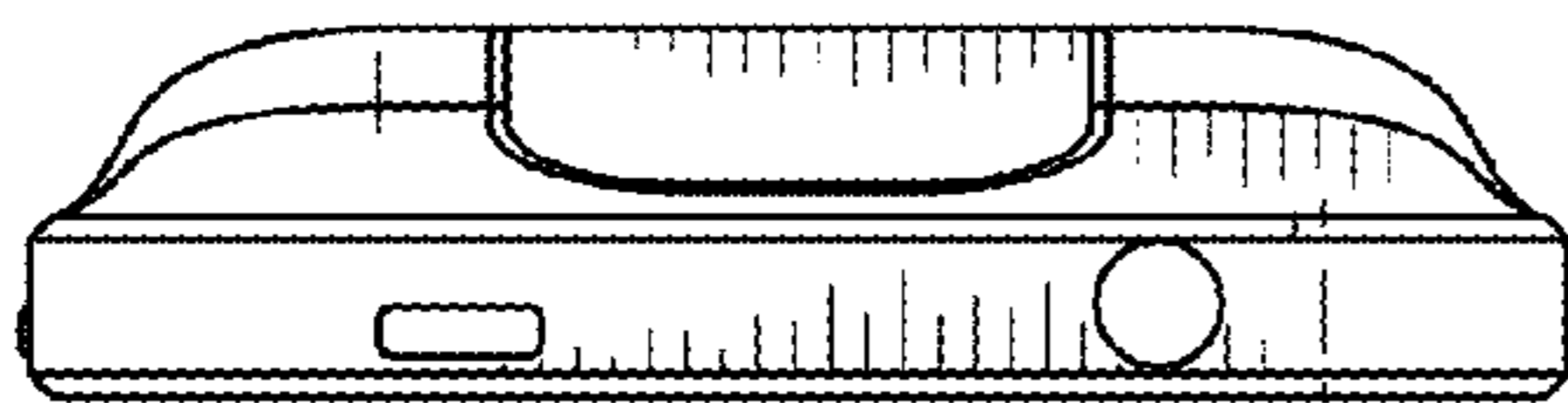


FIG. 7

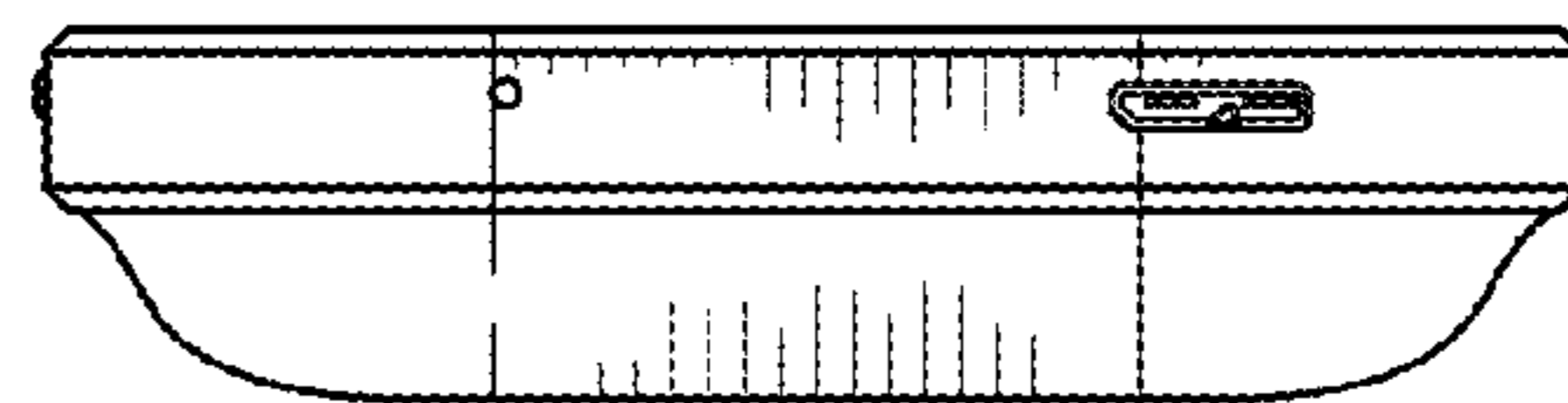


FIG. 8

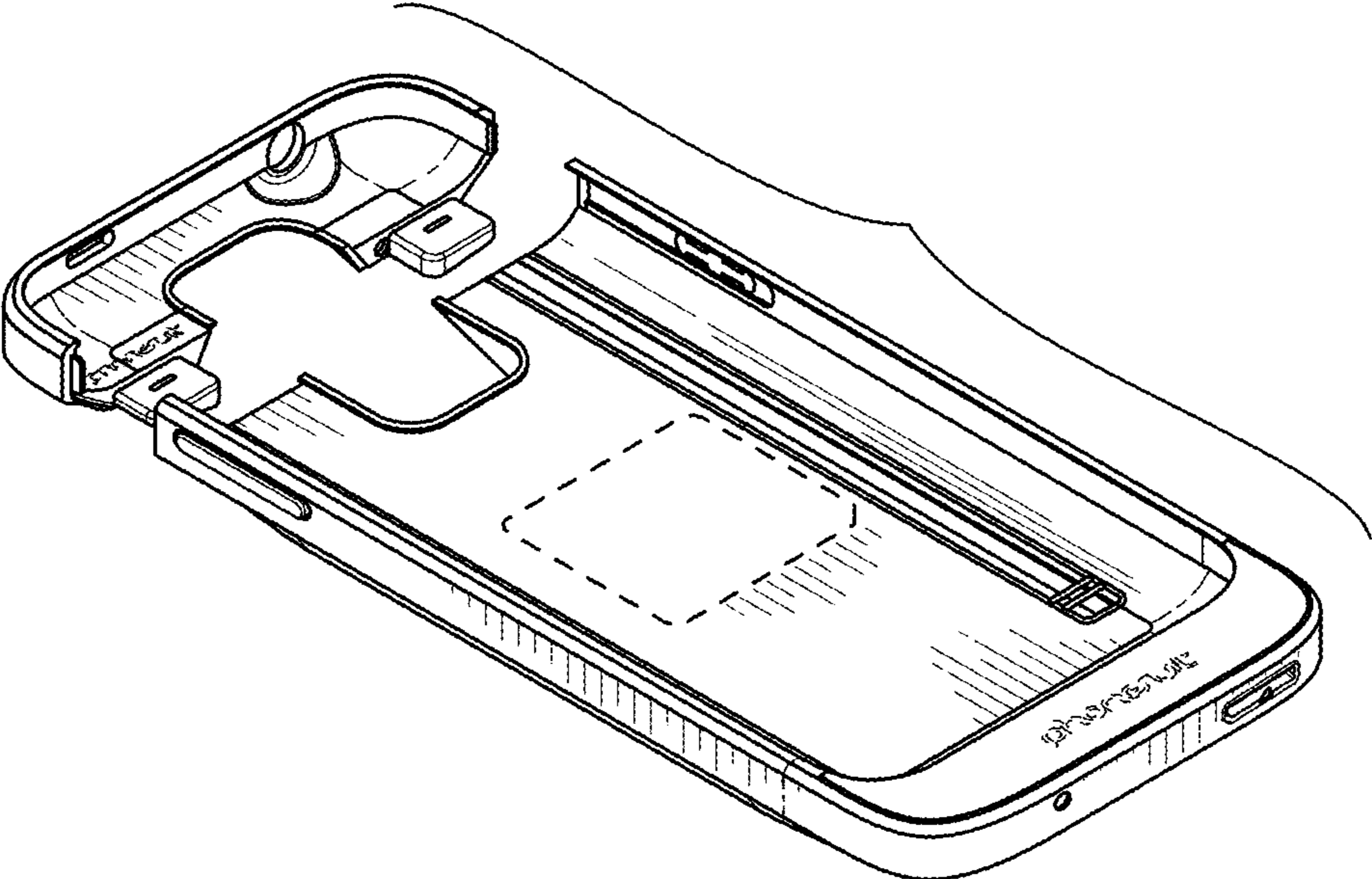


FIG. 9

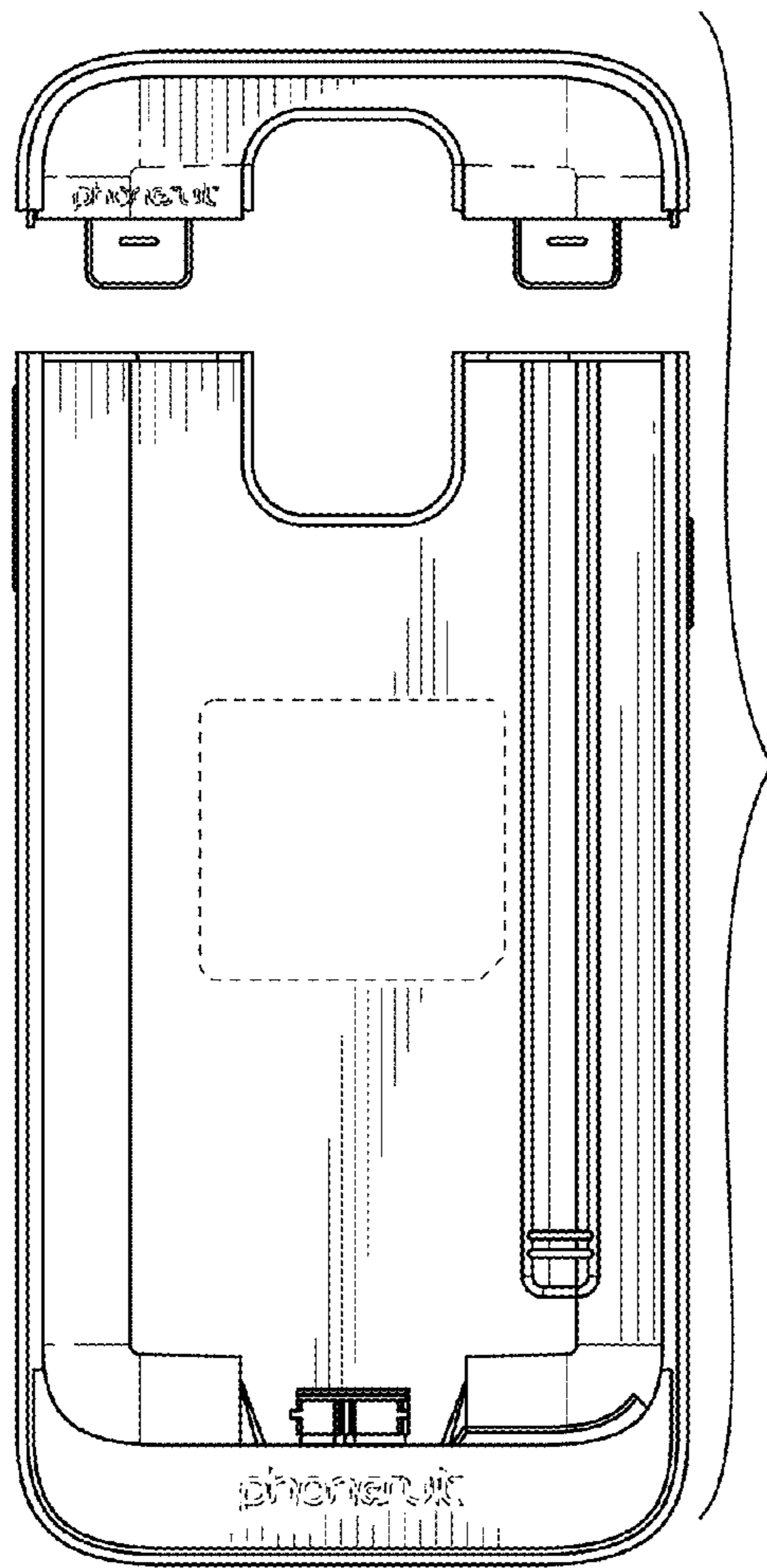


FIG. 10

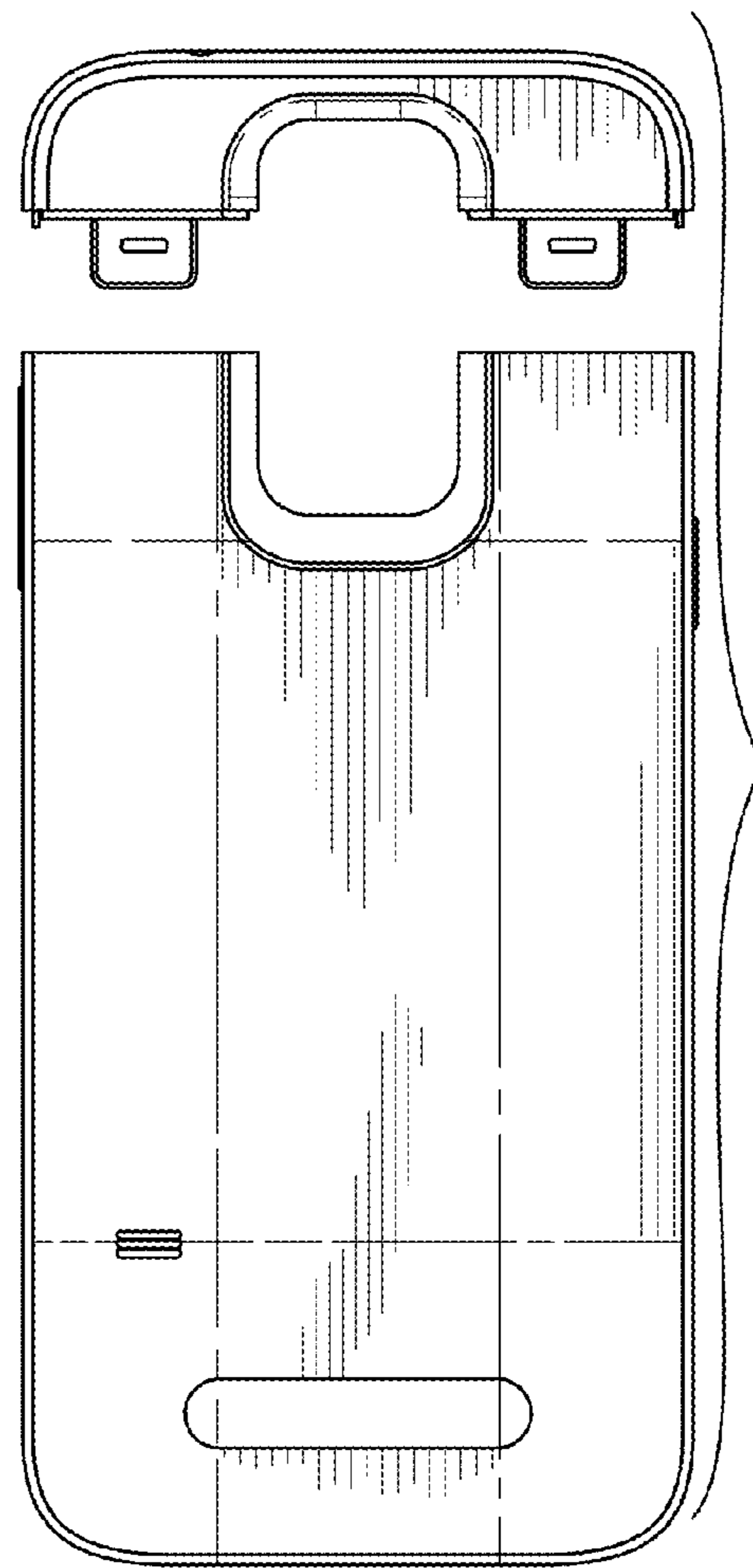


FIG. 11

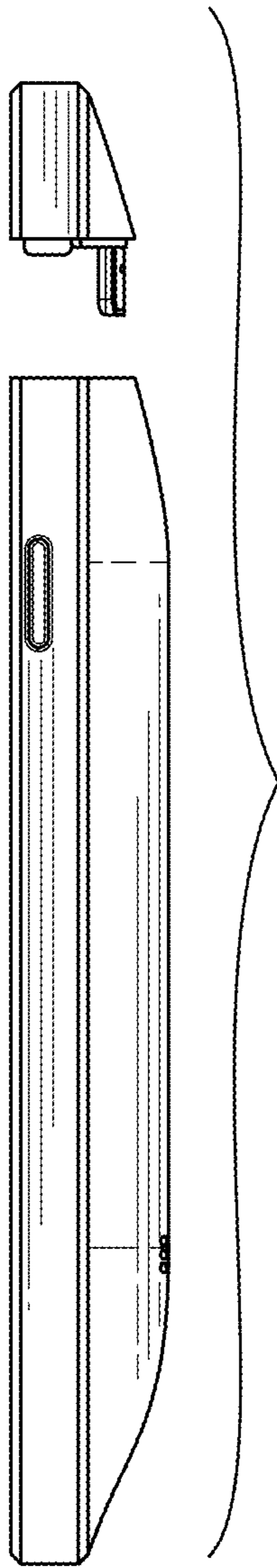


FIG. 12

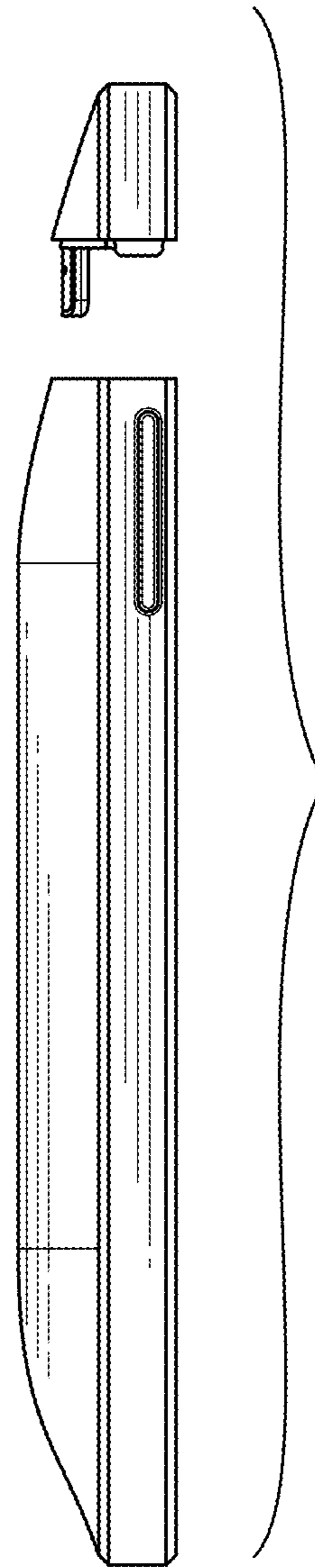


FIG. 13