



US00D756905S

(12) **United States Design Patent**  
**Sareen**

(10) **Patent No.:** **US D756,905 S**

(45) **Date of Patent:** **\*\* May 24, 2016**

(54) **TIRE TREAD**

(71) Applicant: **Omni United (S) PTE Ltd.**, Singapore  
(SG)

(72) Inventor: **Gajendra Singh Sareen**, Singapore  
(SG)

(73) Assignee: **Omni United (S) Pte Ltd.**, Singapore  
(SG)

(\*\*) Term: **14 Years**

(21) Appl. No.: **29/499,302**

(22) Filed: **Aug. 13, 2014**

(51) **LOC (10) Cl.** ..... **12-15**

(52) **U.S. Cl.**  
USPC ..... **D12/603**

(58) **Field of Classification Search**  
CPC ..... B60C 1/0016; B60C 11/0306; B60C  
11/0302; B60C 11/0309  
See application file for complete search history.

(56) **References Cited**

**U.S. PATENT DOCUMENTS**

5,538,060	A	7/1996	van der Meer et al.	
D377,330	S	1/1997	Kakegawa et al.	
D381,606	S	7/1997	Graas et al.	
D388,375	S	12/1997	Harpes et al.	
D391,204	S	2/1998	Harpes et al.	
D405,740	S	2/1999	Heinen et al.	
5,964,267	A	10/1999	Poque et al.	
D451,454	S *	12/2001	Clark	D12/565
D454,536	S *	3/2002	Oliver	D12/603
D554,053	S	10/2007	Feider et al.	
D609,170	S	2/2010	Feider et al.	
D619,958	S *	7/2010	Maxwell	D12/586
D642,975	S *	8/2011	Givens	D12/586
D647,459	S	10/2011	Bervas et al.	
D647,467	S	10/2011	Bonhomme et al.	

(Continued)

**OTHER PUBLICATIONS**

Michelin Energy MXV4 Tire found online [Nov. 16, 2015] [http://tiresaddict.com/vendor/michelin/energy\\_mxv4/](http://tiresaddict.com/vendor/michelin/energy_mxv4/).\*

(Continued)

*Primary Examiner* — Robert M Spear

*Assistant Examiner* — John Voytek

(74) *Attorney, Agent, or Firm* — Steptoe & Johnson LLP

(57) **CLAIM**

I claim the ornamental design for a tire tread, as shown and described.

**DESCRIPTION**

FIG. 1 is a perspective view of a section of a tire tread as defined by lines A-A and B-B;

FIG. 2 is an enlarged view of the section of the tire tread defined by lines A-A and B-B in FIG. 1;

FIG. 3 is a front view of a section of the tire tread as defined by lines C-C and D-D;

FIG. 4 is an enlarged view of the section of the tire tread defined by lines C-C and D-D in FIG. 3;

FIG. 5 is a side view of a section of the tire tread as defined by lines E-E and F-F;

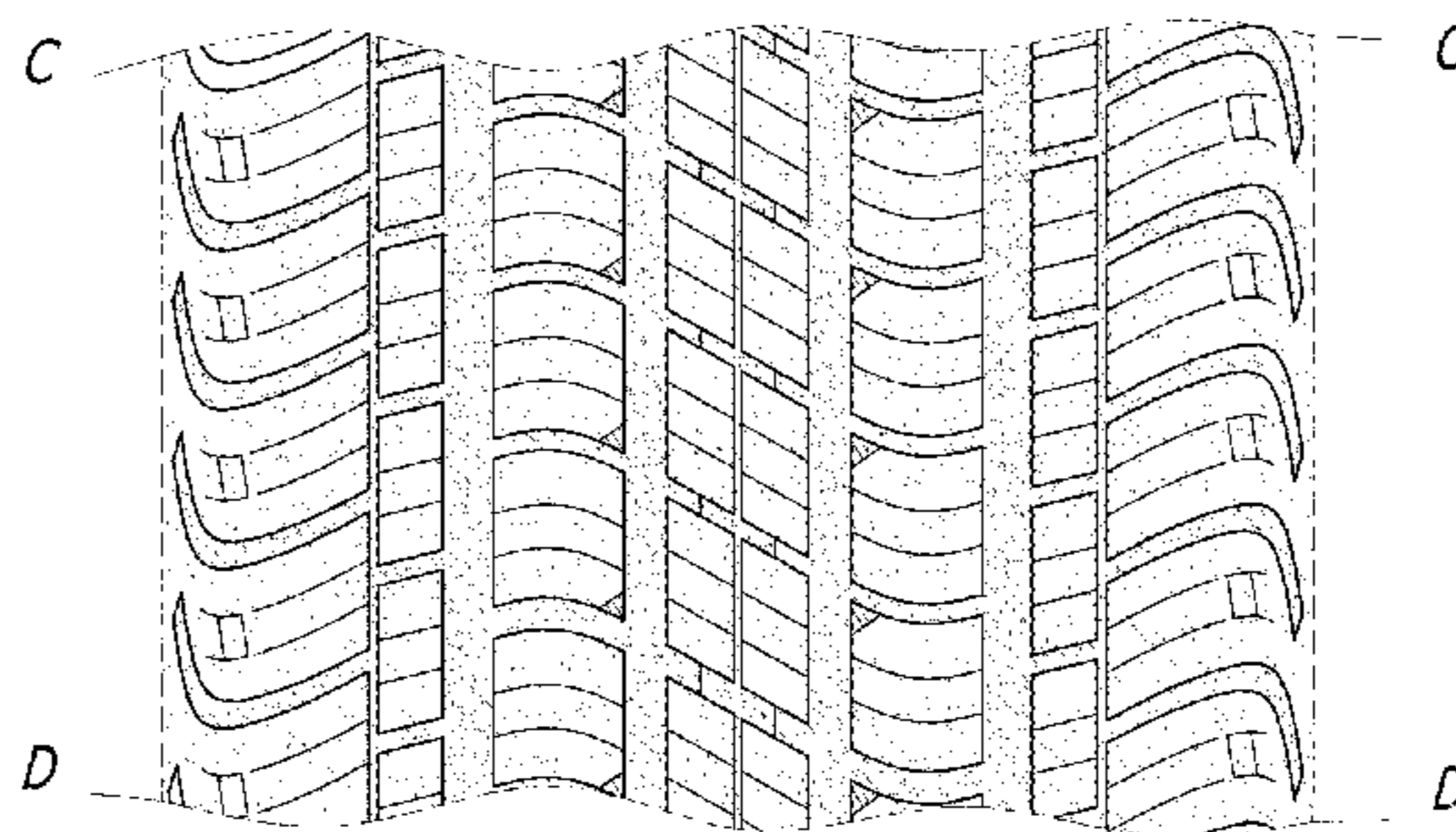
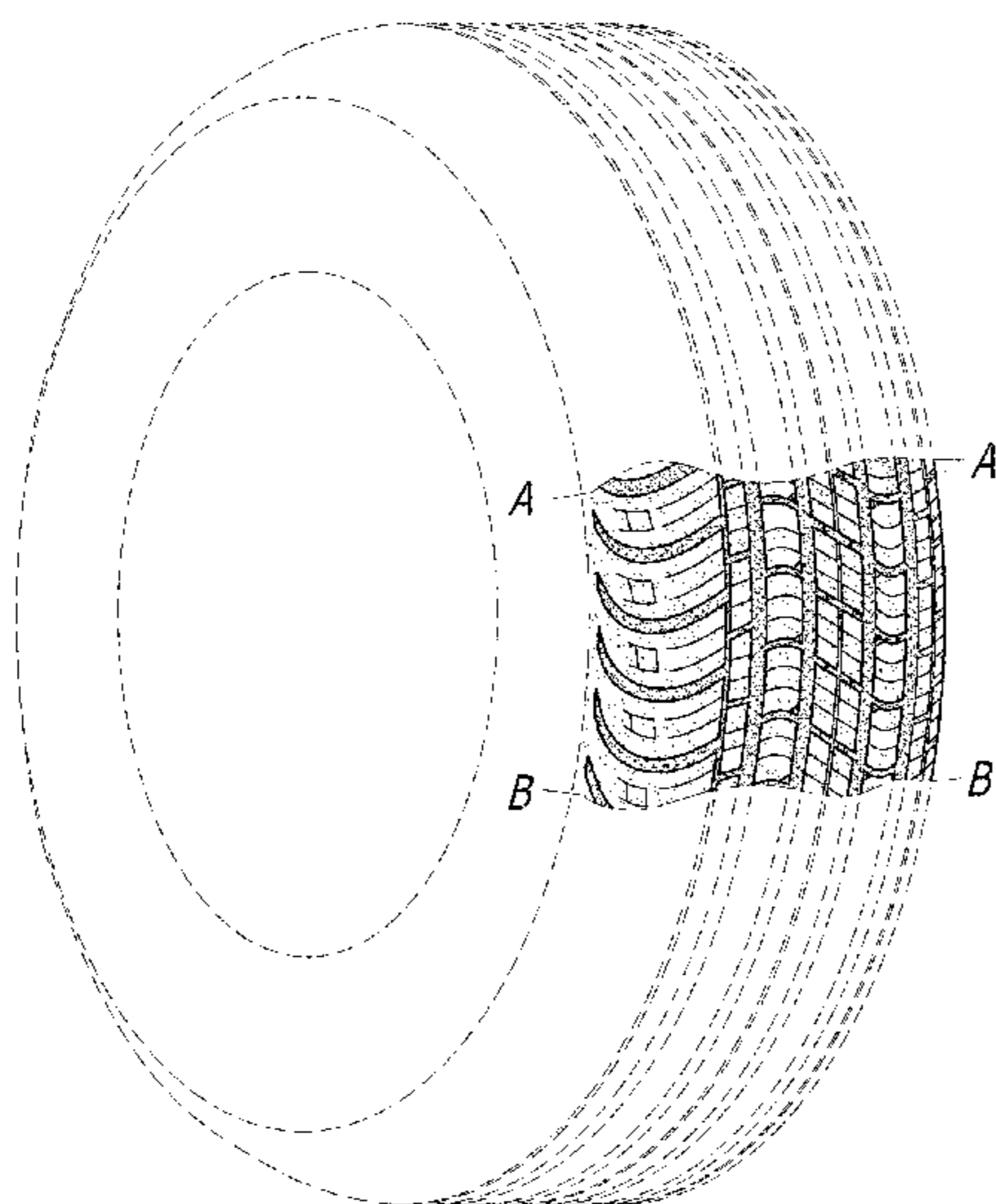
FIG. 6 is an enlarged view of the section of the tire tread defined by lines E-E and F-F;

FIG. 7 is another side view of a section of the tire tread as defined by lines G-G and H-H; and,

FIG. 8 is an enlarged view of the section of the tire tread defined by lines G-G and H-H.

The evenly-spaced broken lines in the drawings represent unclaimed environmental subject matter and form no part of the claim. The dash-dot-dash lines represent the boundaries of the claim and form no part thereof.

**1 Claim, 8 Drawing Sheets**



# US D756,905 S

Page 2

---

(56)

## References Cited

### U.S. PATENT DOCUMENTS

D669,024 S 10/2012 Oji  
D712,343 S \* 9/2014 Wakishima ..... D12/588  
D734,246 S \* 7/2015 Parr ..... D12/601  
D735,643 S \* 8/2015 Fu ..... D12/584  
D736,697 S \* 8/2015 Leocadio ..... D12/601  
D737,753 S \* 9/2015 Wang ..... D12/590

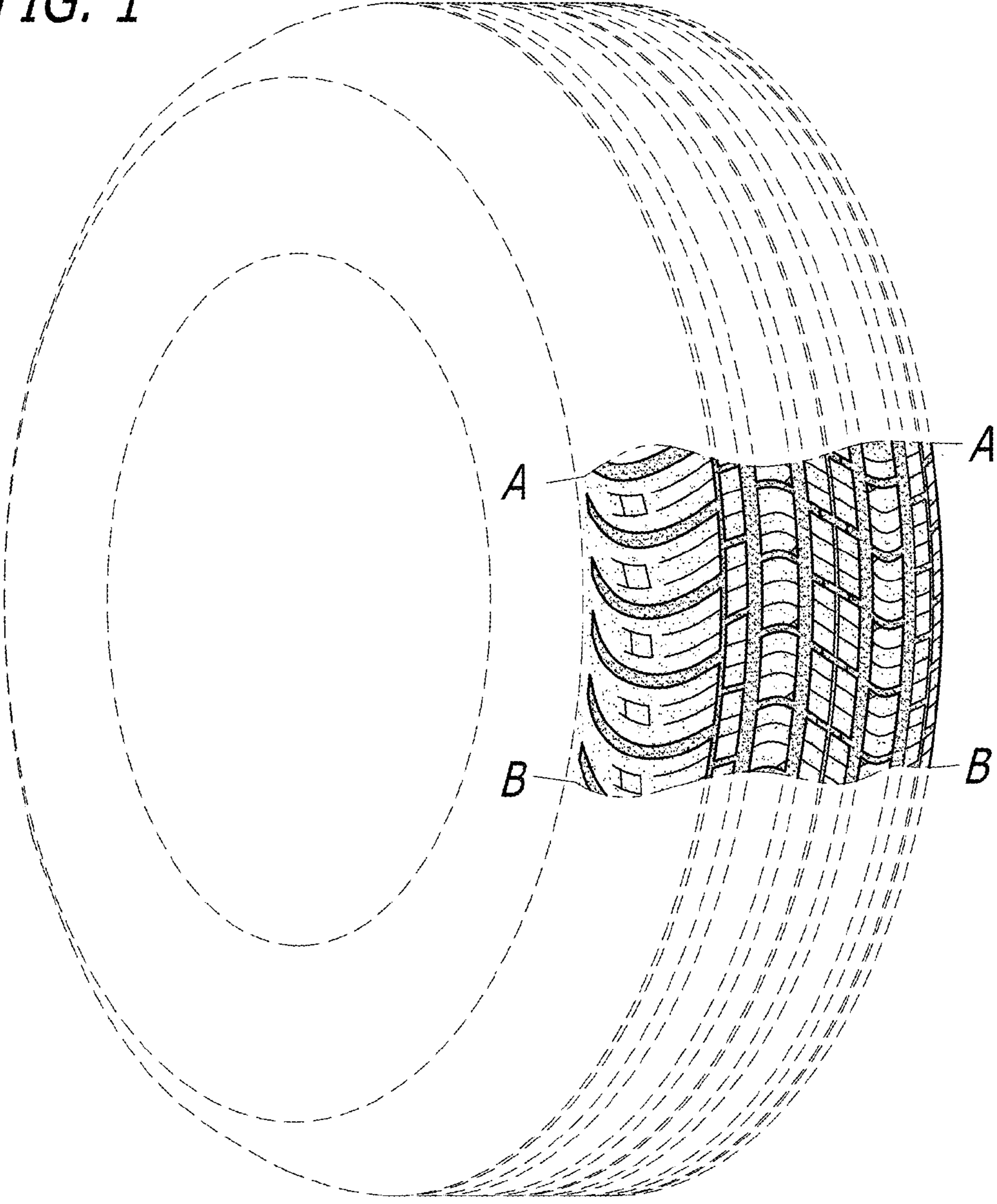
D740,208 S \* 10/2015 Rohweder ..... D12/584  
D740,211 S \* 10/2015 Parr ..... D12/589  
2003/0047262 A1 3/2003 Kousaie et al.

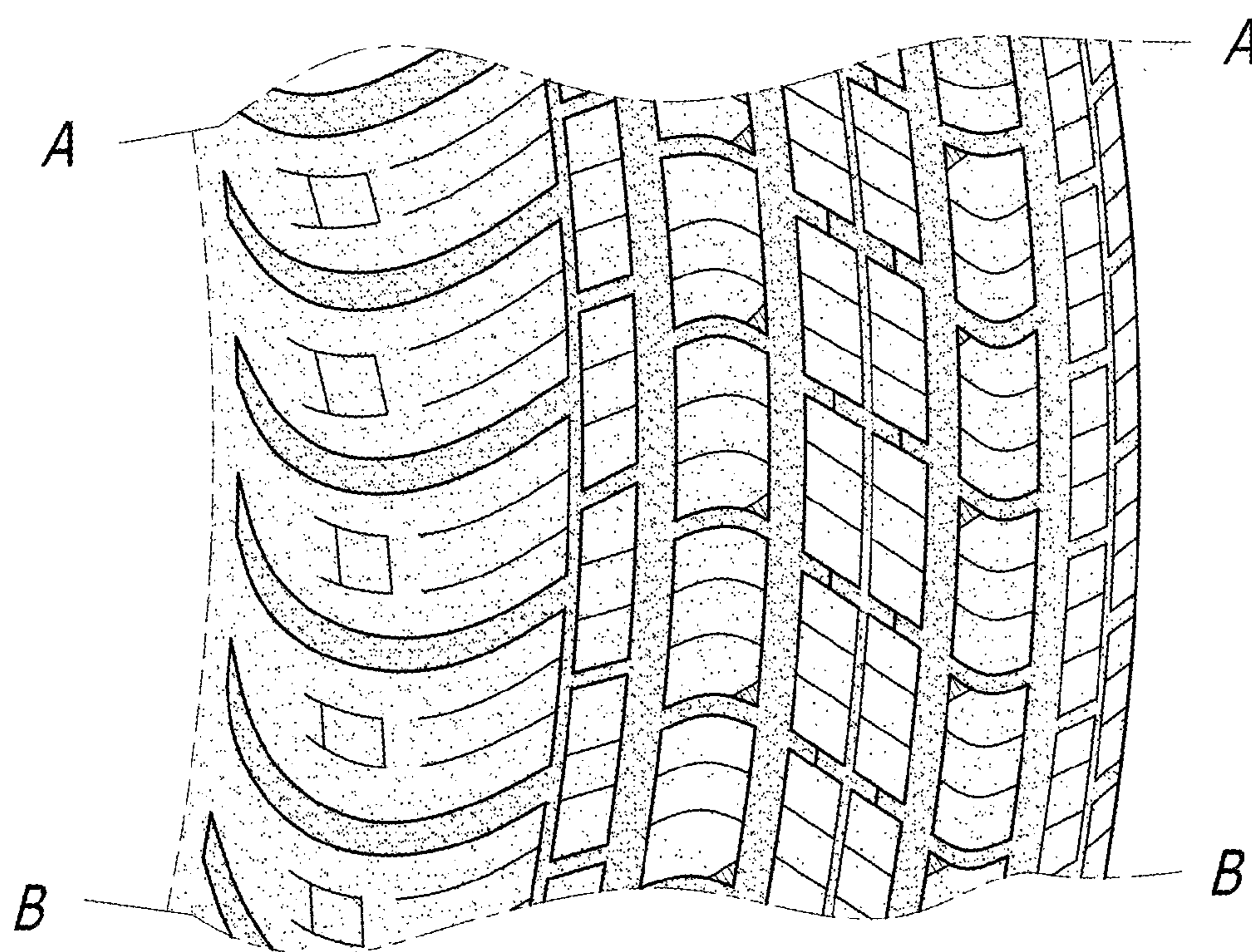
### OTHER PUBLICATIONS

Aeolus Green Ace AG02 Tire found online [Nov. 16, 2015] [http://tiresaddict.com/vendor/aeolus/green\\_ace\\_ag02/](http://tiresaddict.com/vendor/aeolus/green_ace_ag02/).\*

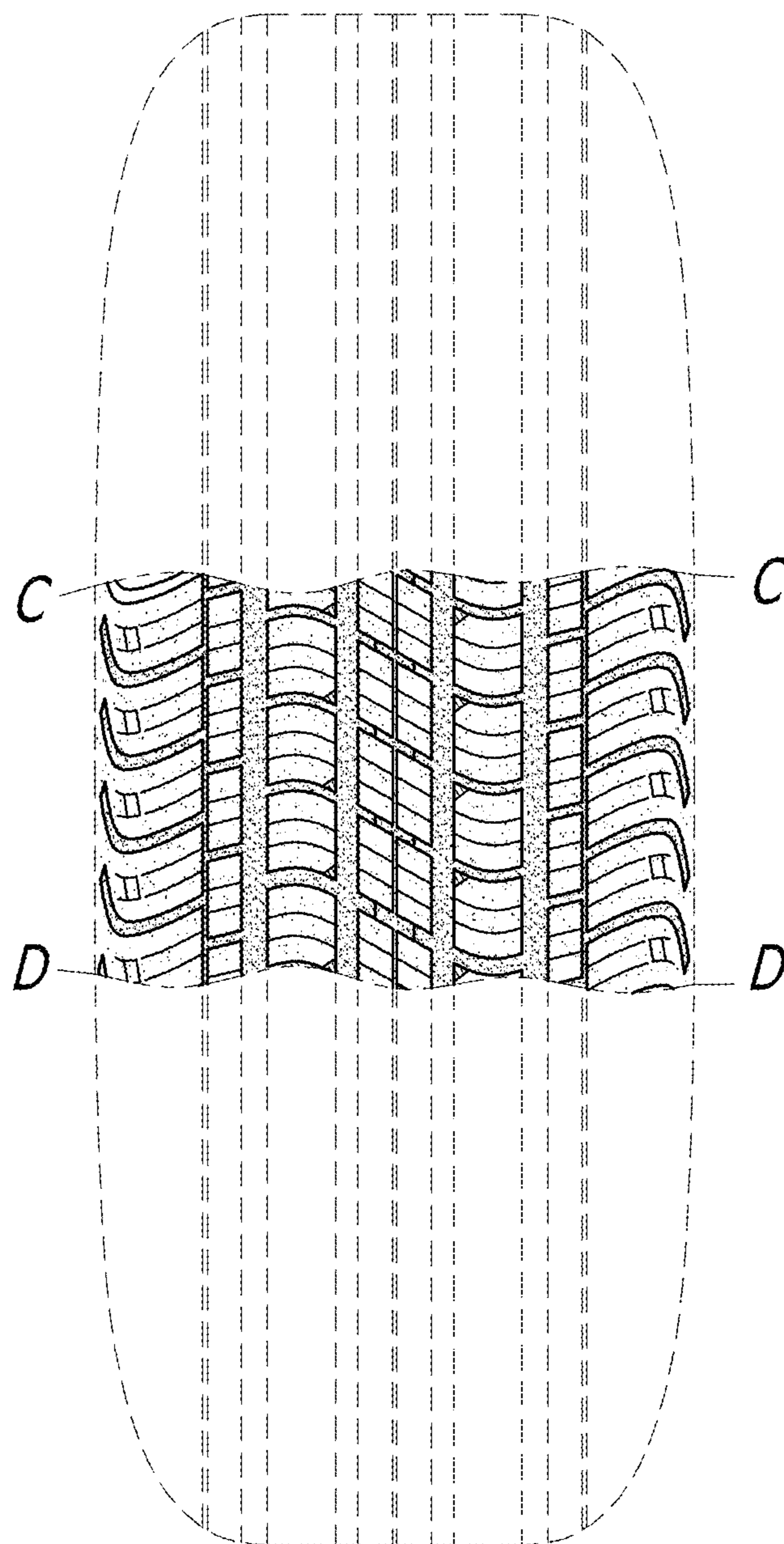
\* cited by examiner

FIG. 1





*FIG. 2*



*FIG. 3*

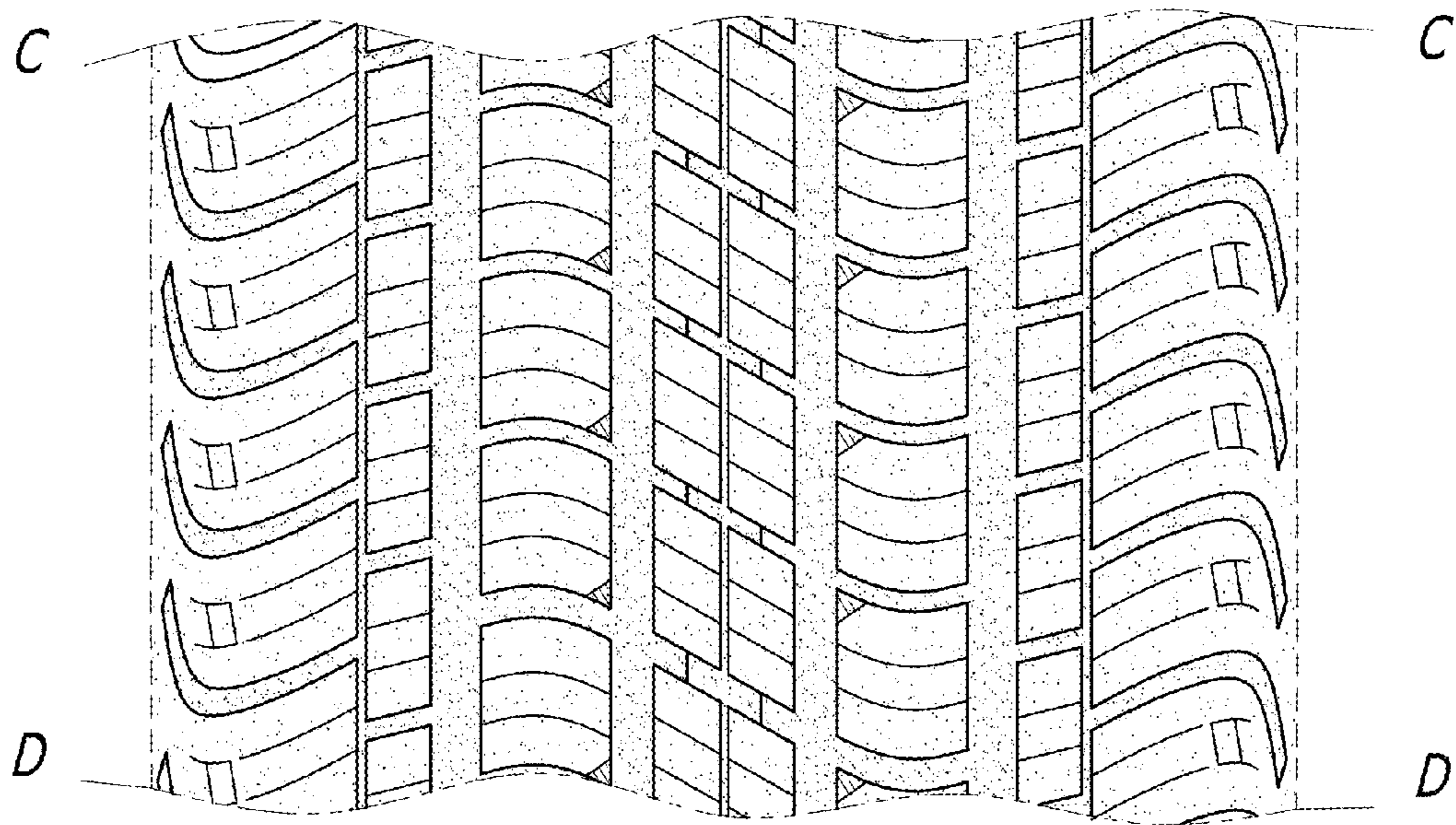


FIG. 4

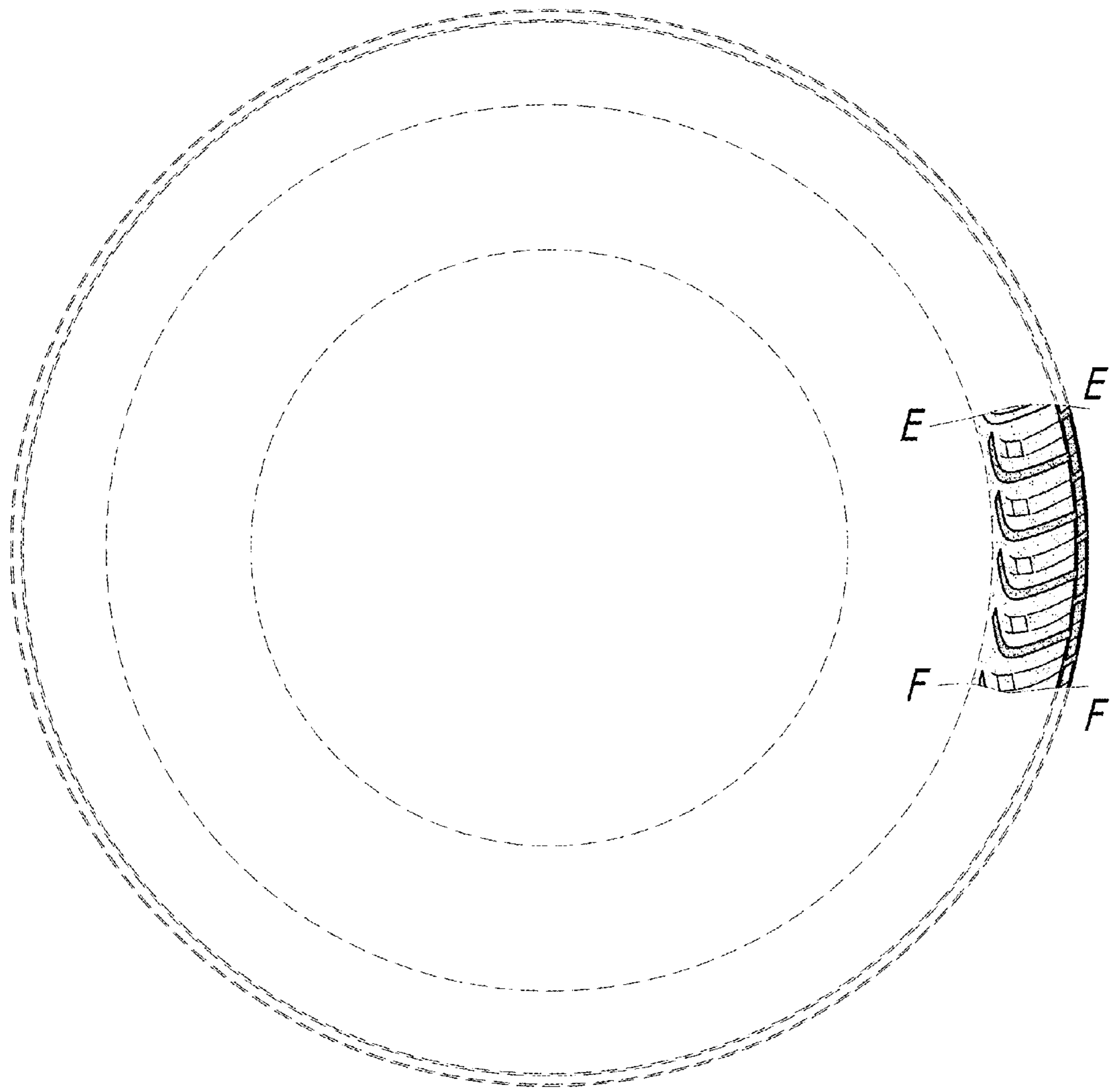


FIG. 5

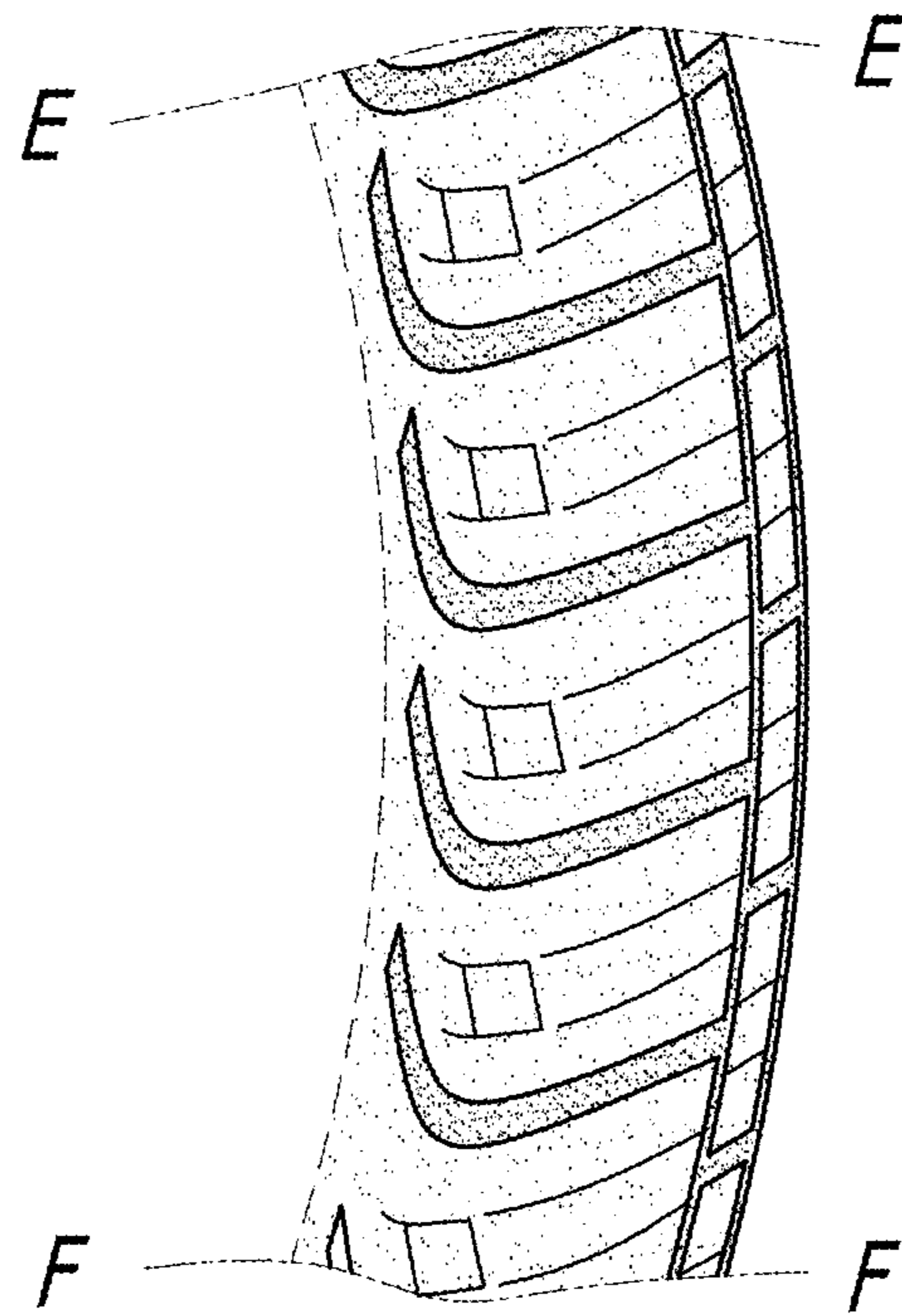


FIG. 6



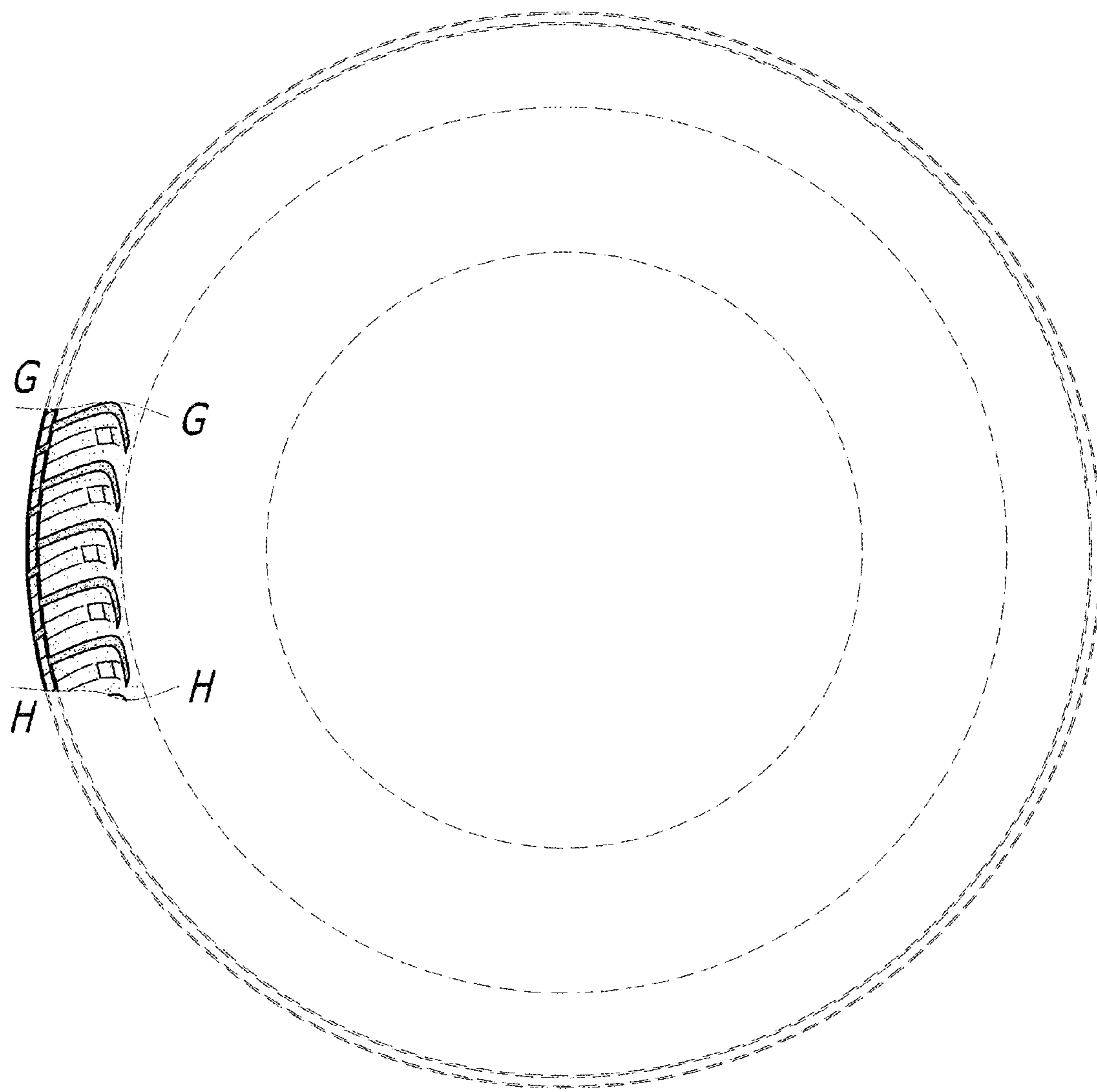
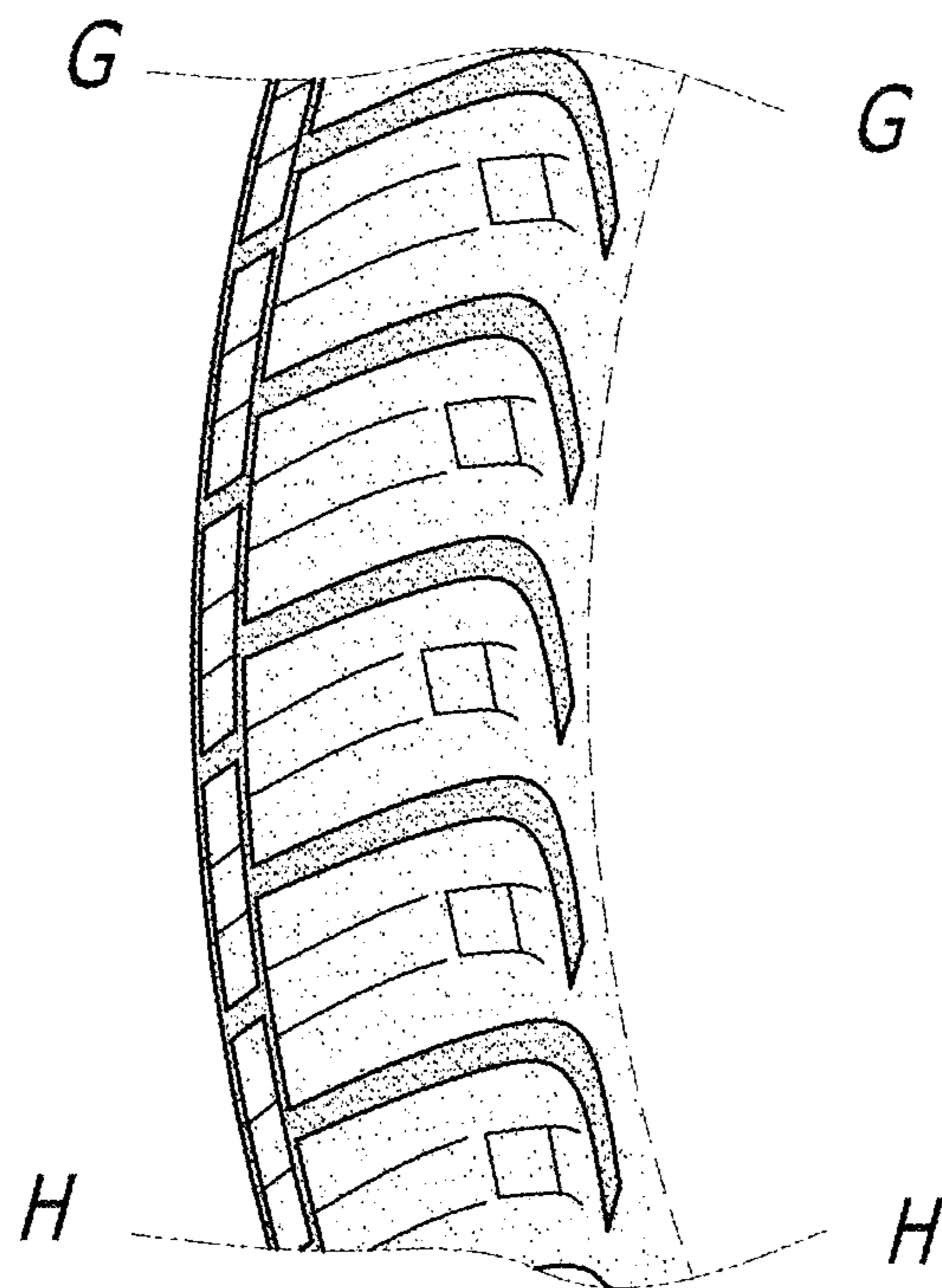


FIG. 7



*FIG. 8*