



US00D756899S

(12) **United States Design Patent**
Yamamoto

(10) **Patent No.:** **US D756,899 S**
(45) **Date of Patent:** **** May 24, 2016**

(54) **TREAD OF AN AUTOMOBILE TIRE**

D637,150 S * 5/2011 Koshio D12/579
D656,088 S * 3/2012 Krier D12/591
D667,364 S * 9/2012 Krier D12/586

(71) Applicant: **BRIDGESTONE CORPORATION**,
Chuo-ku, Tokyo (JP)

(72) Inventor: **Nobuyuki Yamamoto**, Chuo-ku (JP)

(73) Assignee: **BRIDGESTONE CORPORATION**,
Tokyo (JP)

(**) Term: **14 Years**

(21) Appl. No.: **29/493,341**

(22) Filed: **Jun. 9, 2014**

(30) **Foreign Application Priority Data**

Dec. 10, 2013 (JP) 2013-028964

(51) **LOC (10) Cl.** **12-15**

(52) **U.S. Cl.**
USPC **D12/583**

(58) **Field of Classification Search**
USPC D12/568-603
CPC B60C 1/0016; B60C 11/0306; B60C
11/0302; B60C 3/06; B60C 9/17
See application file for complete search history.

(56) **References Cited**

U.S. PATENT DOCUMENTS

D412,473 S * 8/1999 Le D12/585
D457,855 S * 5/2002 Bawin D12/582
D458,898 S * 6/2002 Shinmura D12/596
D477,566 S * 7/2003 Nonaka D12/600
D485,232 S * 1/2004 Nakamura D12/596
D498,206 S * 11/2004 Cazin-Bourguignon D12/588
D596,559 S * 7/2009 Scheuren D12/579
D609,165 S * 2/2010 Fujioka D12/579
D637,141 S * 5/2011 Fujioka D12/579
D637,142 S * 5/2011 Nicolas D12/579

OTHER PUBLICATIONS

Sumitomo ST908 Tire dated 2015. Found online [Oct. 3, 2015]httpwww.sumitomotire.comtrucktiresproductsstst908.aspx[1022015 105306 AM].*

* cited by examiner

Primary Examiner — Robert M Spear

Assistant Examiner — John Voytek

(74) *Attorney, Agent, or Firm* — Sughrue Mion, PLLC

(57) **CLAIM**

The ornamental design for a tread of an automobile tire, as shown and described.

DESCRIPTION

FIG. 1 is a perspective view of a tread of an automobile tire according to my design;
FIG. 2 is a front view thereof;
FIG. 3 is a right side view thereof;
FIG. 4 is a left side view thereof;
FIG. 5 is a rear view thereof;
FIG. 6 is a fragmentary enlarged front view surrounded by line 6-6 and 6-6 in FIG. 2;
FIG. 7 is a sectional view taken along line 7-7 in FIG. 6;
FIG. 8 is a sectional view taken along line 8-8 in FIG. 6;
FIG. 9 is a sectional view taken along line 9-9 in FIG. 6; and,
FIG. 10 is a sectional view taken along line 10-10 in FIG. 6.
Broken lines in the drawings show portions of the tire that are not being claimed, and thus form no part of the claimed design.
In FIGS. 1, 2, 5 and 6, the dark surface shading represents grooves having the depth shown in FIG. 9; in FIGS. 1 through 6, the intermediate surface shading represents grooves having the depth shown on the right side of FIG. 10.

1 Claim, 10 Drawing Sheets

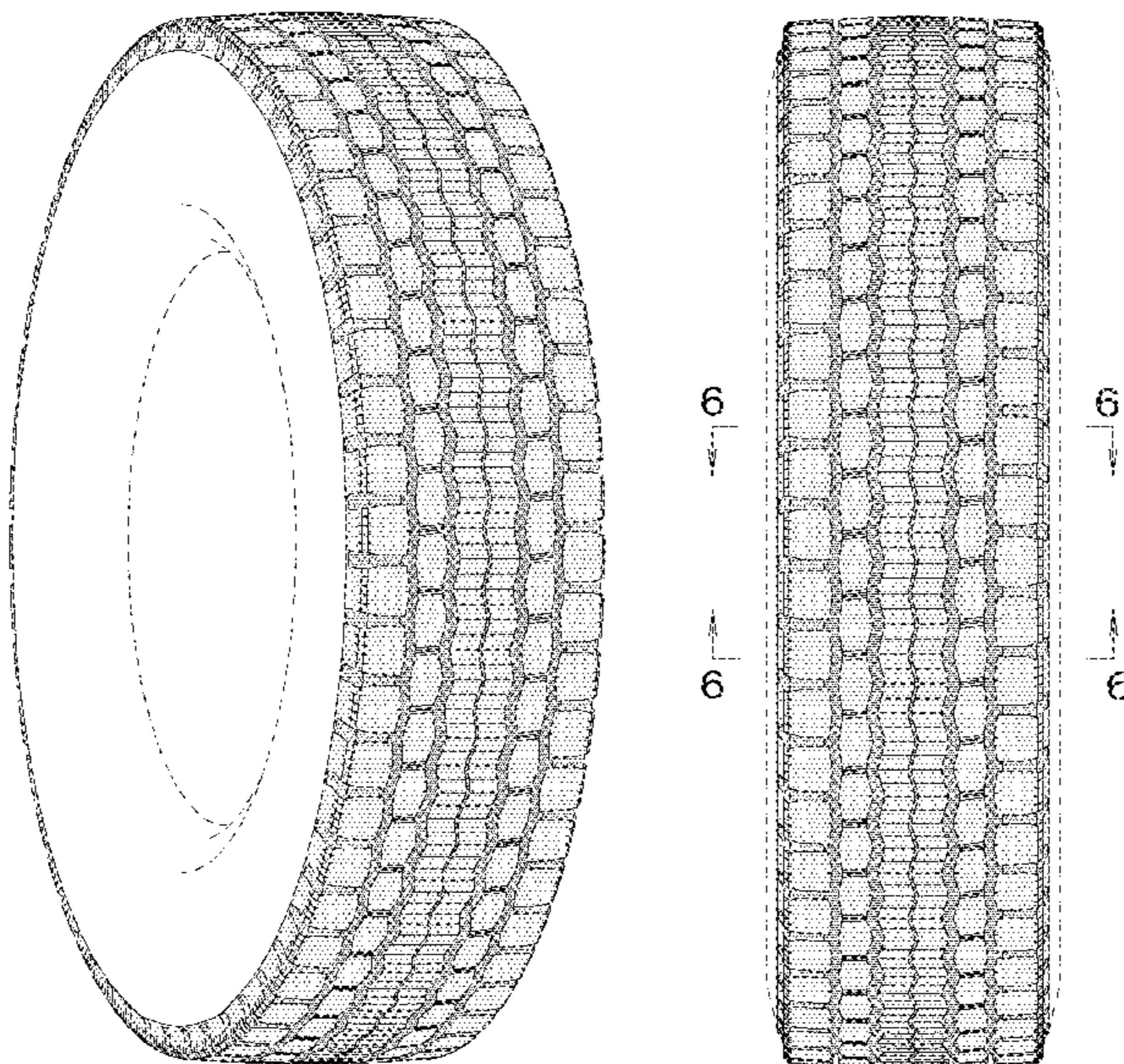


FIG. 1

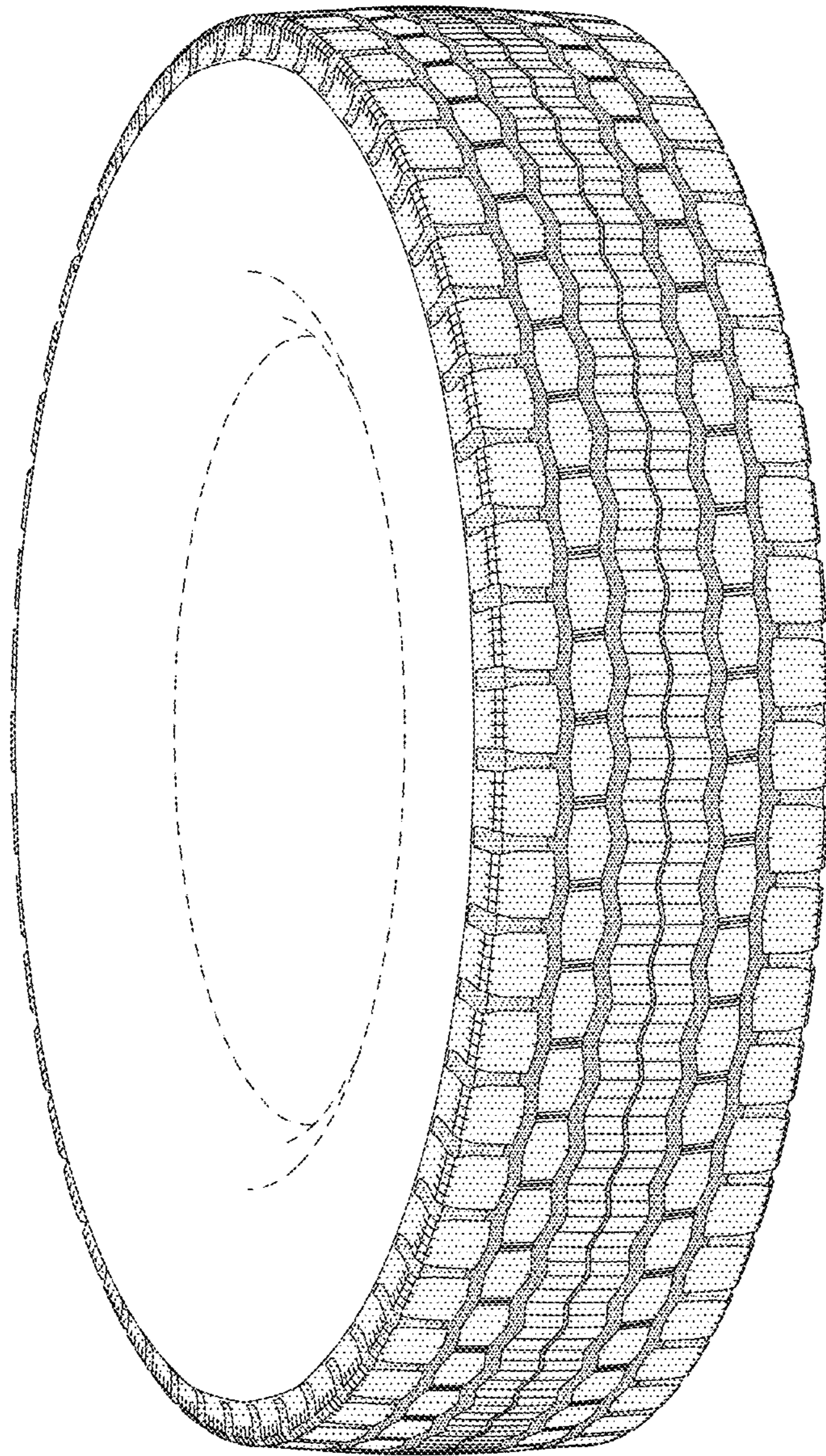


FIG. 2

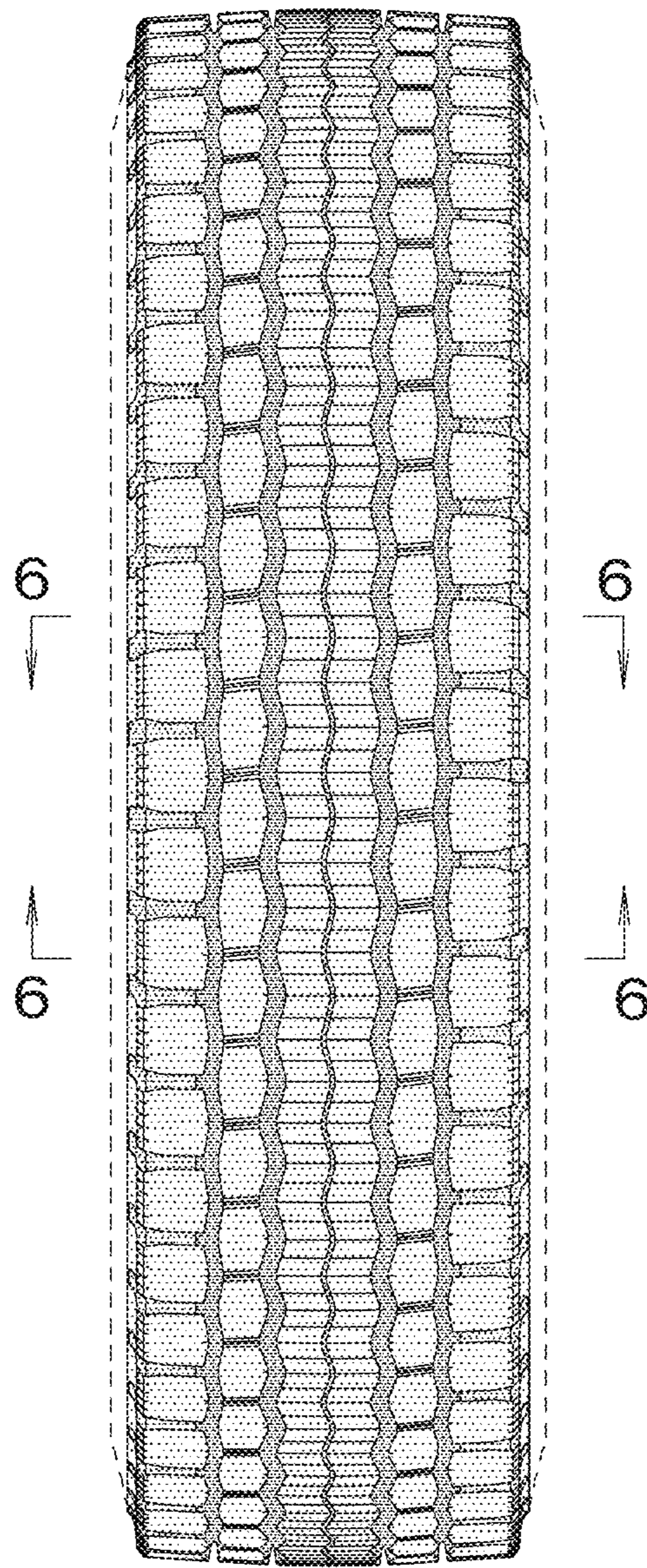


FIG. 3

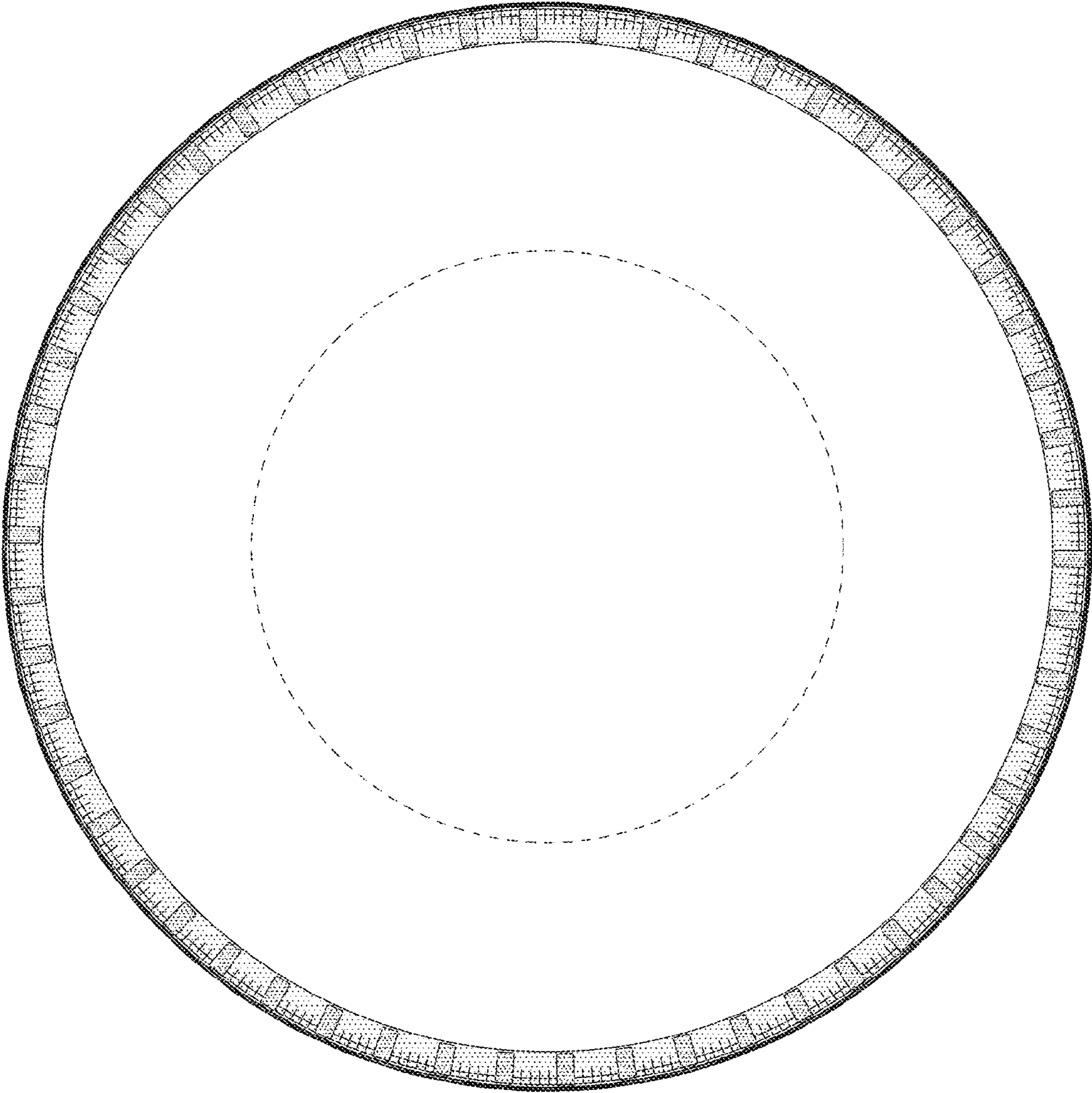


FIG. 4

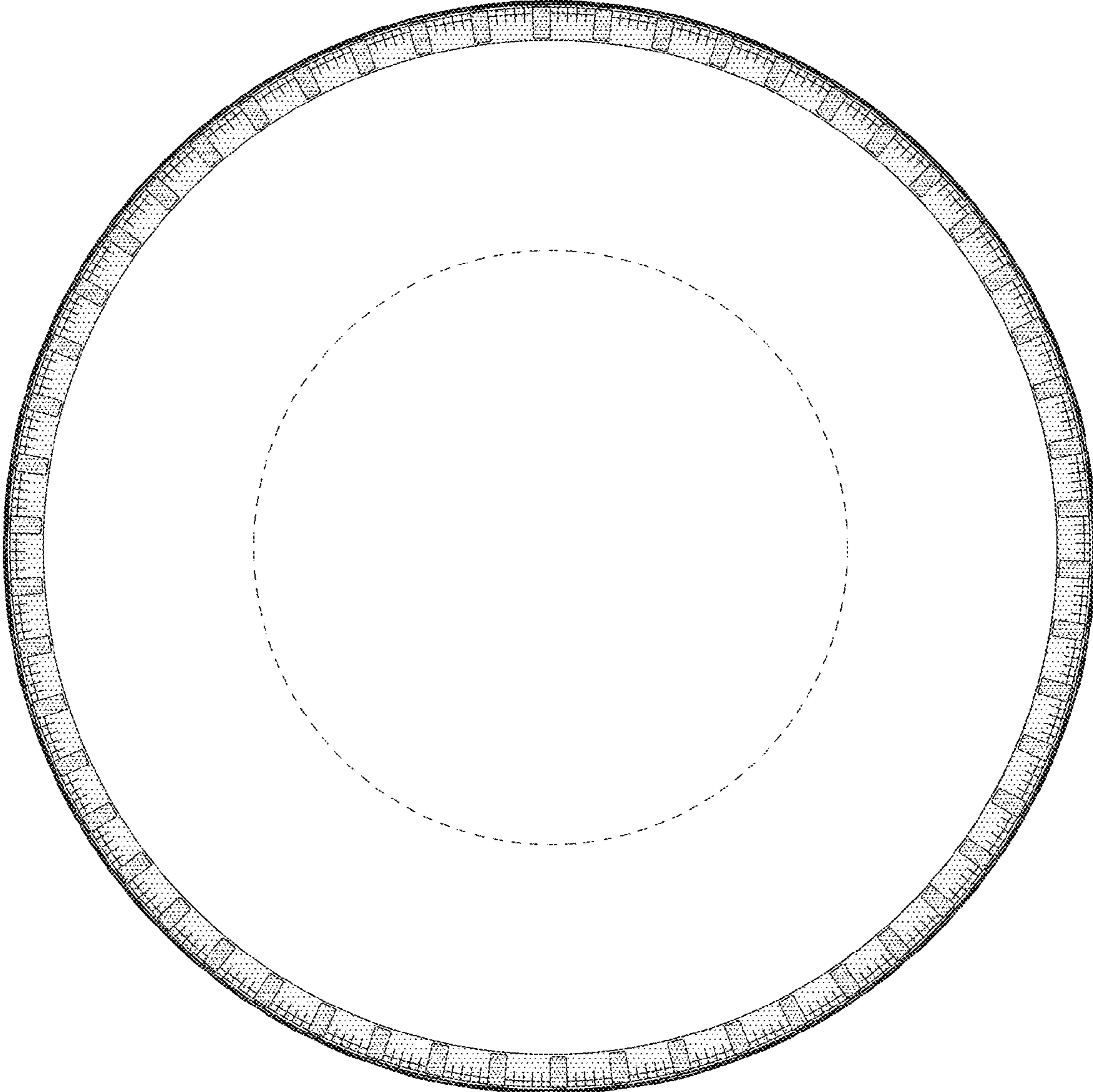


FIG. 5

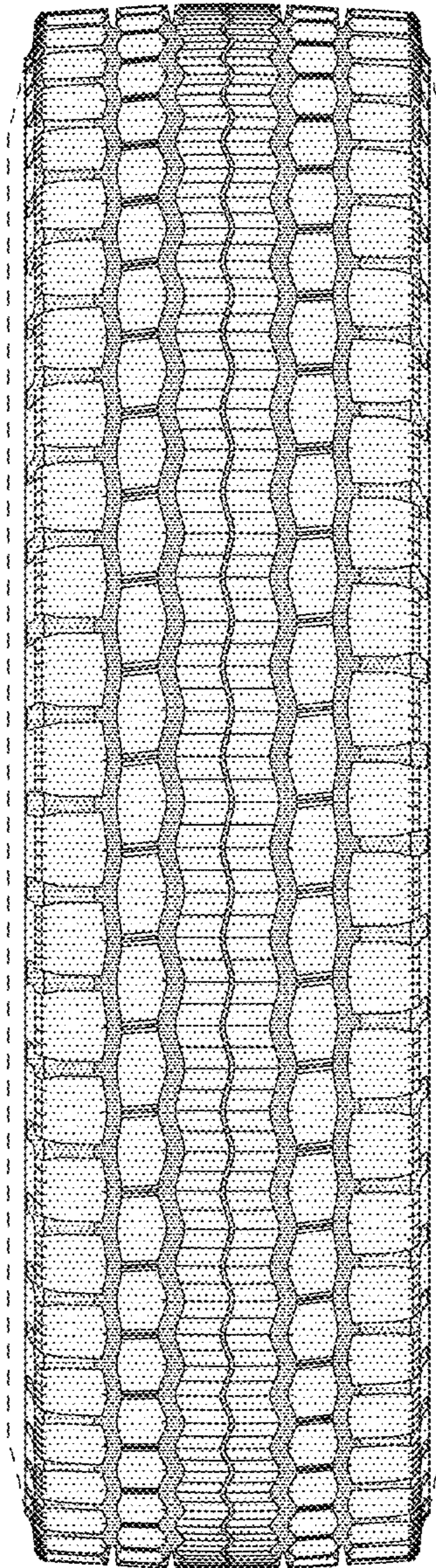


FIG. 6

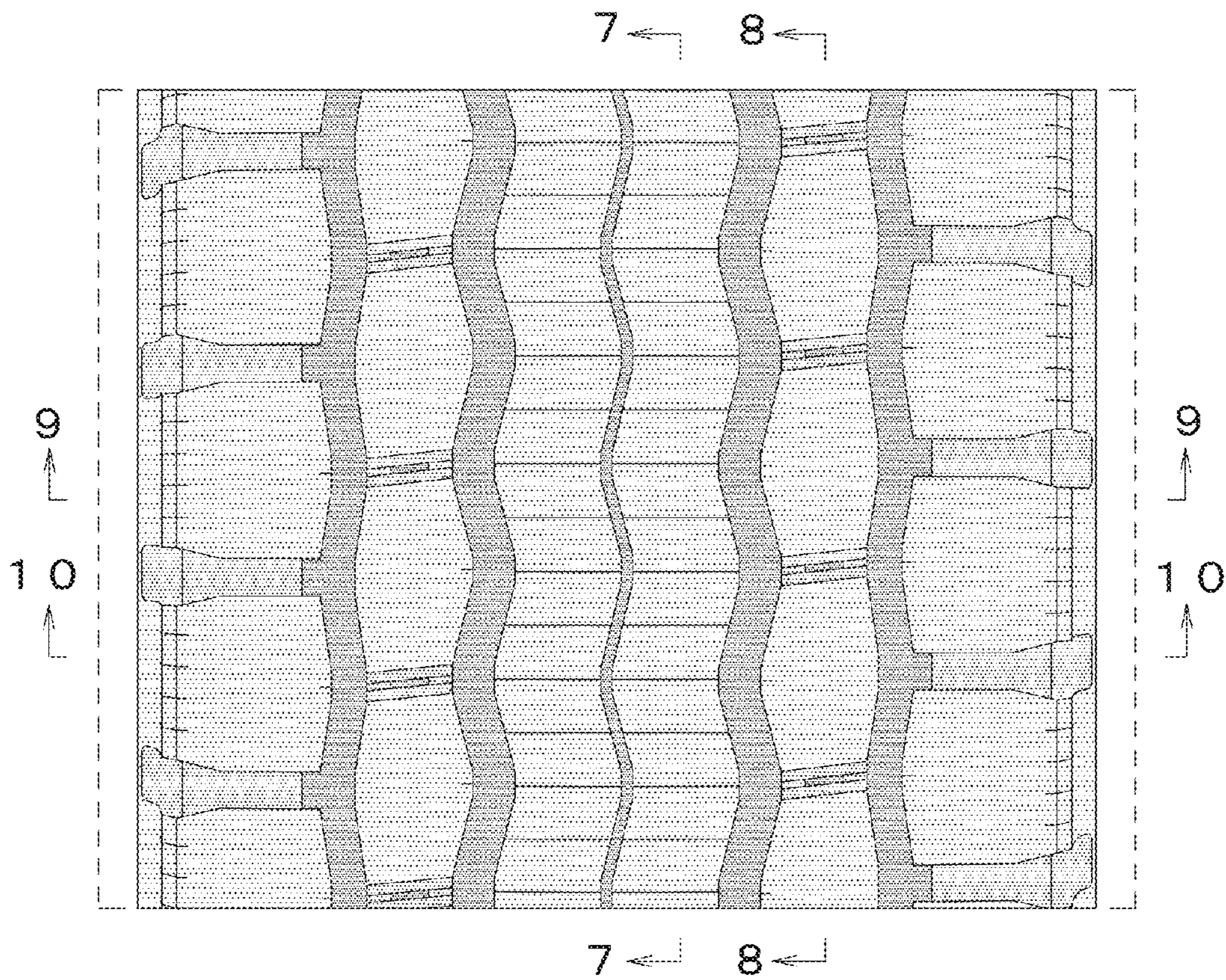


FIG. 7

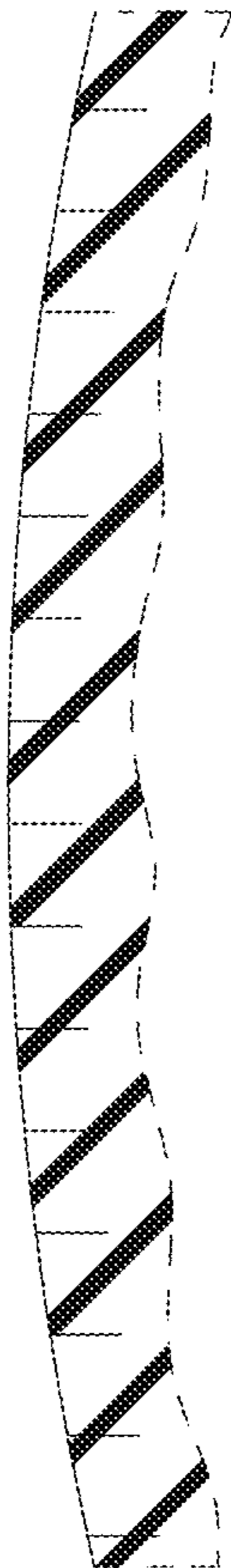


FIG. 8

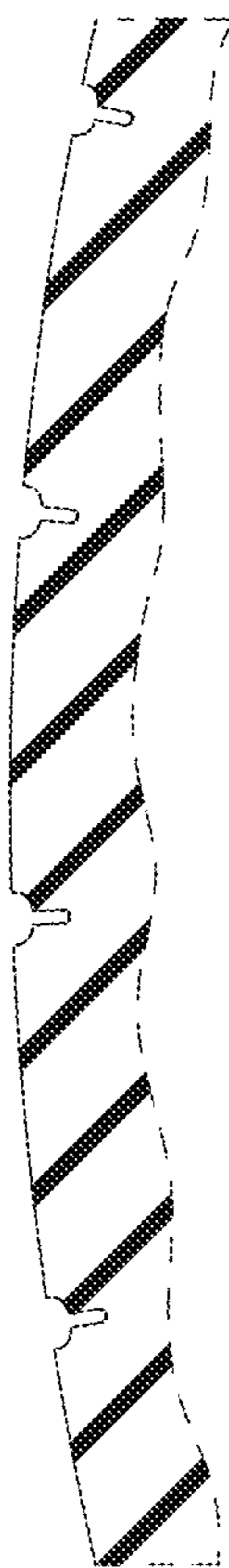


FIG. 9

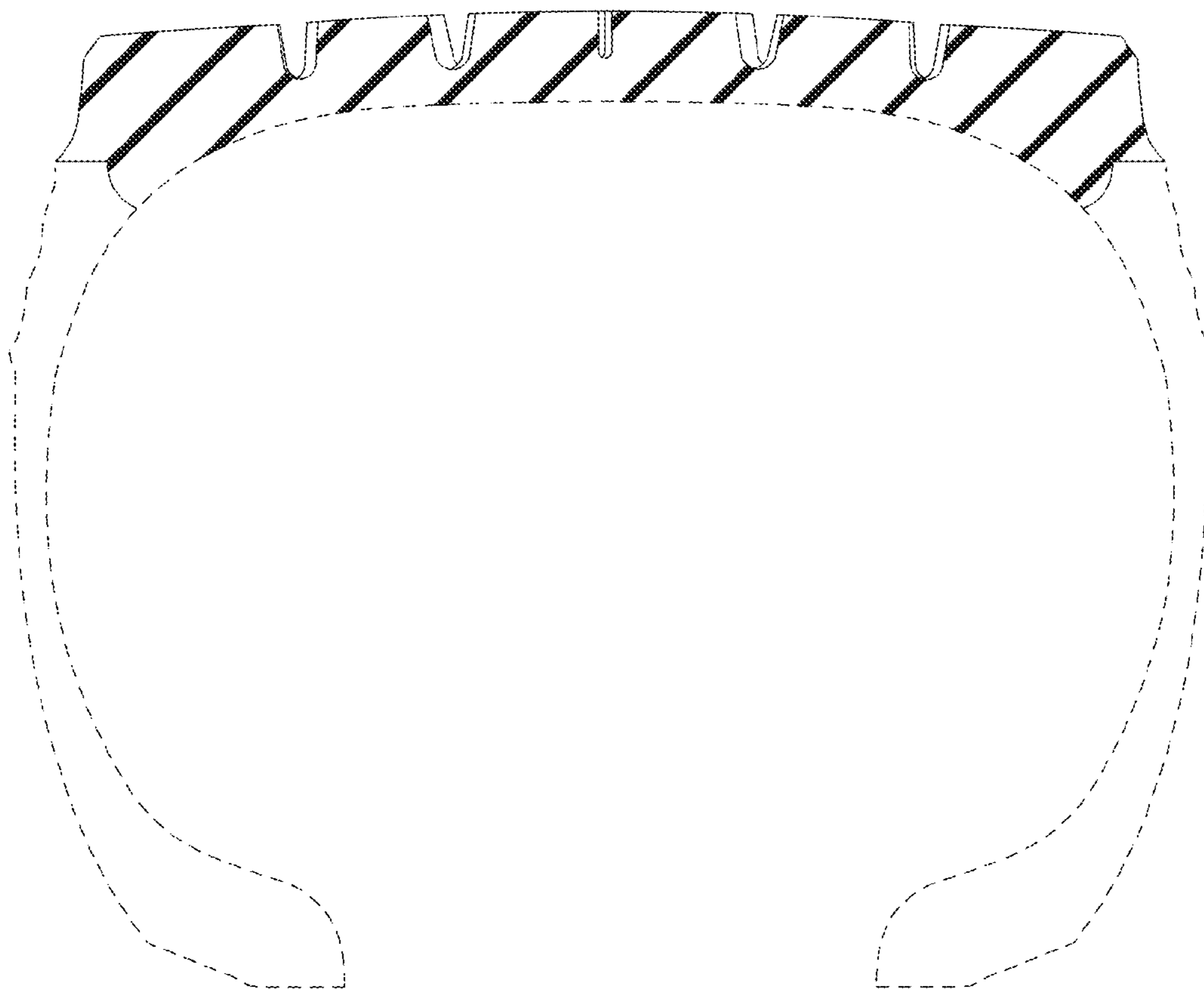


FIG. 10

