



US00D756896S

(12) **United States Design Patent**  
**Leconte et al.**

(10) **Patent No.:** **US D756,896 S**

(45) **Date of Patent:** **\*\* May 24, 2016**

(54) **TIRE**

(71) Applicant: **The Goodyear Tire & Rubber Company, Akron, OH (US)**

(72) Inventors: **Armand Rene Gabriel Leconte, Bingenonville (LU); Sebastien Willy Fontaine, Vichten (LU); Stephane Houchard, Orgeo (BE); Carine Yvonne Jeanne Wagner, Dudelange (LU); Marc Hoffmann, Koetschette (LU)**

(73) Assignee: **The Goodyear Tire & Rubber Company, Akron, OH (US)**

(\*\*) Term: **14 Years**

(21) Appl. No.: **29/501,556**

(22) Filed: **Sep. 5, 2014**

(51) **LOC (10) Cl.** ..... **12-15**

(52) **U.S. Cl.**  
USPC ..... **D12/564**

(58) **Field of Classification Search**  
USPC ..... D12/533-567  
CPC ..... B60C 1/00; B60C 11/00; B60C 11/03  
See application file for complete search history.

(56) **References Cited**

**U.S. PATENT DOCUMENTS**

D362,420 S	9/1995	Heinen et al. ....	D12/147
D379,448 S	5/1997	Graas et al. ....	D12/147
D379,449 S	5/1997	Graas et al. ....	D12/151
D379,787 S	6/1997	Maxwell et al. ....	D12/147
D387,714 S	12/1997	Heinen ....	D12/147
D429,194 S	8/2000	Heinen et al. ....	D12/147
D429,478 S	8/2000	Heinen et al. ....	D12/147
D431,800 S	10/2000	Heinen et al. ....	D12/147
D441,328 S	5/2001	Heinen et al. ....	D12/146
D441,695 S	5/2001	Heinen et al. ....	D12/147
D451,068 S	11/2001	Heinen et al. ....	D12/547
D451,868 S	12/2001	Graas et al. ....	D12/147
D452,198 S	12/2001	Heinen et al. ....	D12/146

D455,116 S	4/2002	Graas et al. ....	D12/553
D455,998 S	4/2002	Heinen et al. ....	D12/566
D504,106 S	4/2005	de Briey-Terlinden et al. ....	D12/553
D504,387 S	4/2005	Welbes et al. ....	D12/549
D504,866 S	5/2005	Collette et al. ....	D12/553
D505,112 S	5/2005	Heinen et al. ....	D12/567
D533,131 S	12/2006	Fontaine et al. ....	D12/588
D548,677 S	8/2007	Welbes et al. ....	D12/553
D548,678 S	8/2007	Welbes et al. ....	D12/553
D556,670 S	12/2007	Fontaine et al. ....	D12/553

(Continued)

*Primary Examiner* — George D Kirschbaum

*Assistant Examiner* — Natasha Vujcic

(74) *Attorney, Agent, or Firm* — Robert N. Lipsik

(57) **CLAIM**

The ornamental design for a tire, as shown and described.

**DESCRIPTION**

FIG. 1 is a perspective view of a tire showing our new design, it being understood that the pattern repeats uniformly throughout the circumference of the tread;

FIG. 2 is a front elevational view thereof;

FIG. 3 is a right side elevational view thereof; the other side being a mirror image thereof;

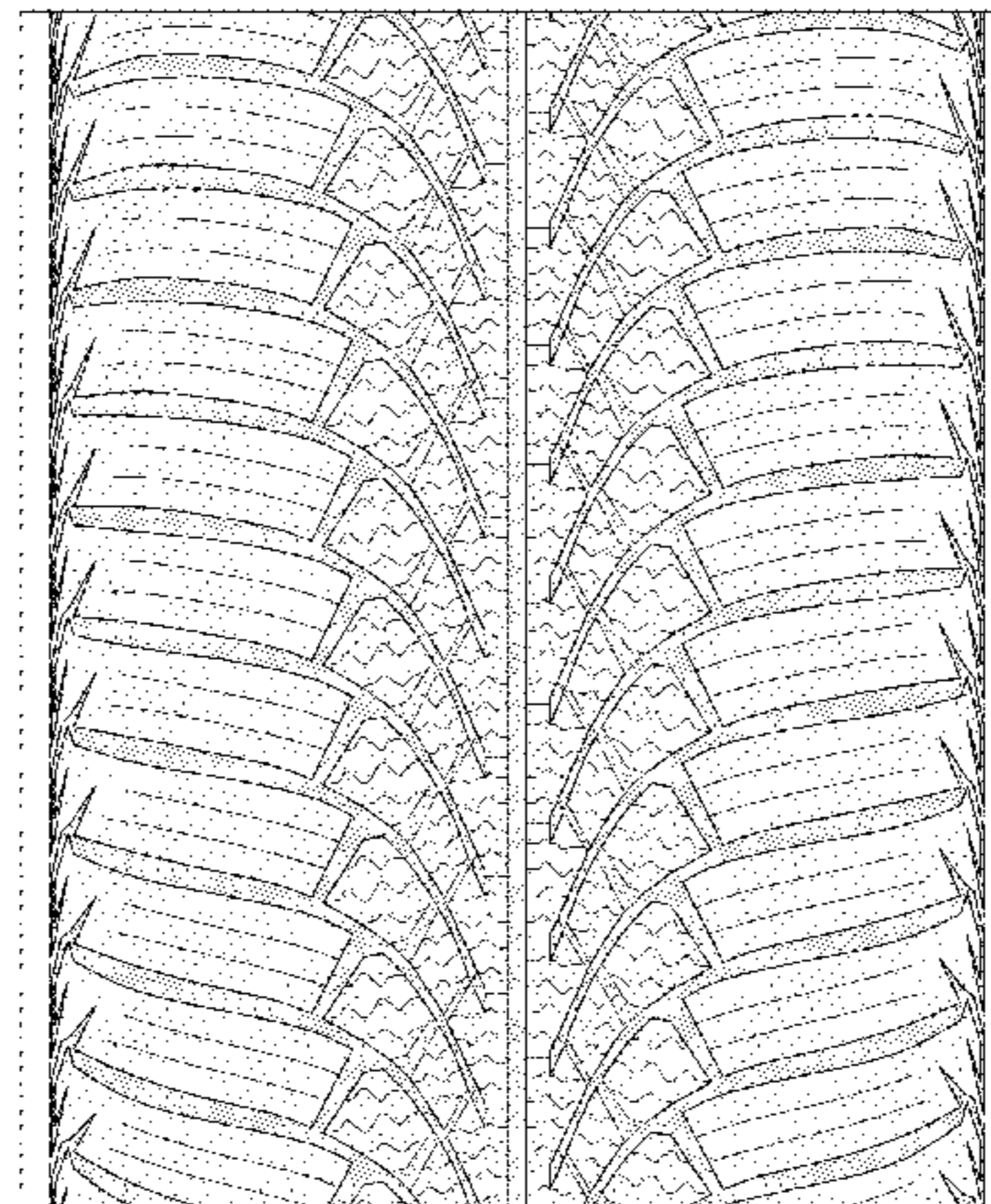
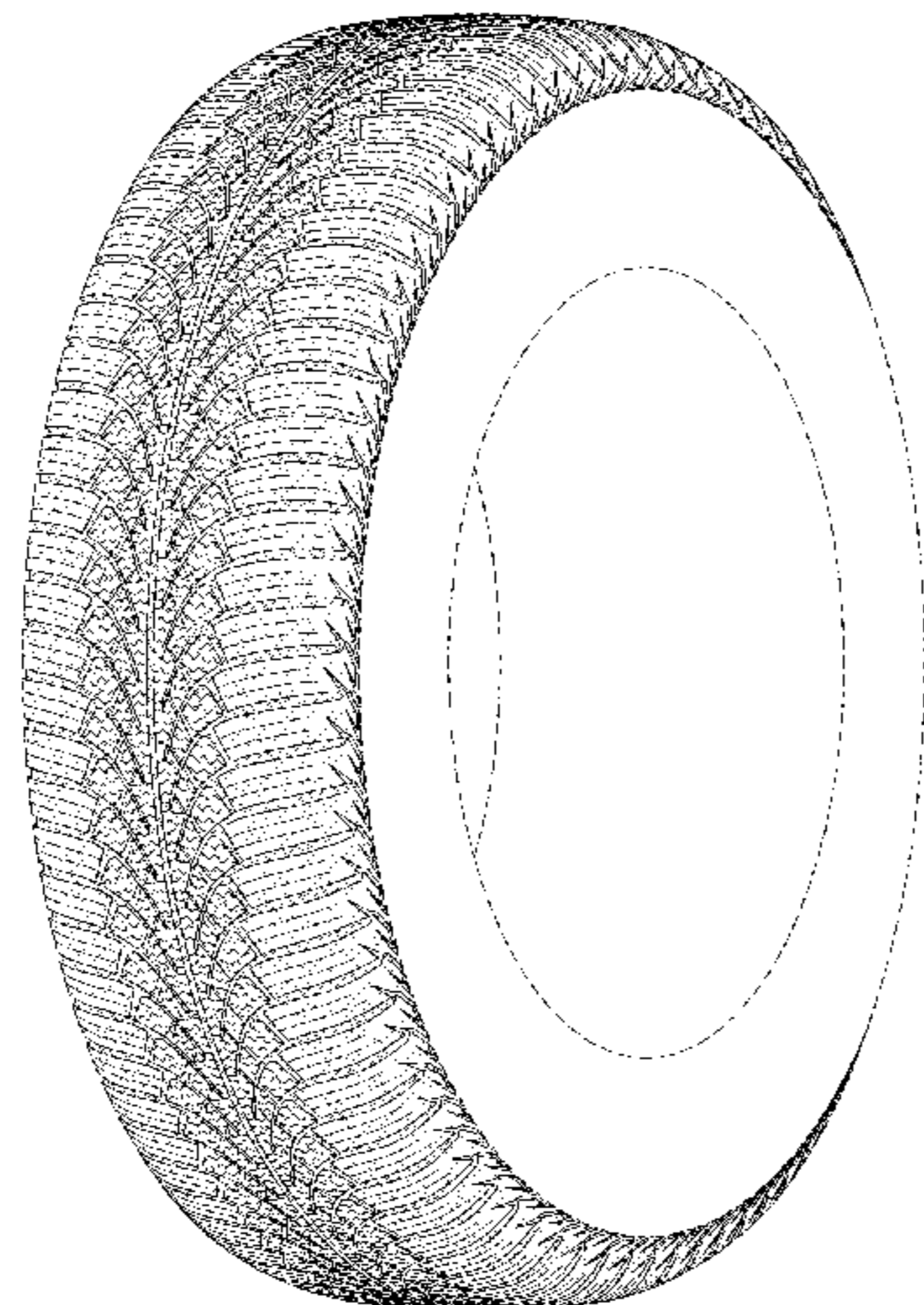
FIG. 4 is an enlarged fragmentary front elevation view taken from FIG. 2;

FIG. 5 is a perspective view of a second embodiment of a tire showing our new design, it being understood that the pattern repeats uniformly throughout the circumference of the tread and that the opposite side view is a mirror image thereof; and,

FIG. 6 is a front elevational view of a second embodiment, it being understood that an enlarged fragmentary view thereof would be substantially identical to that shown in FIG. 4, with the exception of the inclusion of the sidewall in solid lines.

In the drawings, the broken lines showing of the sidewall, inner bead and the peripheral boundary between the tire tread and the sidewall in FIGS. 1 through 4 depict environmental subject matter and form no part of the claimed design.

**1 Claim, 6 Drawing Sheets**



(56)

**References Cited**

U.S. PATENT DOCUMENTS

D560,157 S *	1/2008	Lo .....	D12/567	D598,367 S	8/2009	de Briey-Terlinden .....	D12/553
D575,726 S	8/2008	Fontaine et al. ....	D12/564	D600,195 S	9/2009	Fontaine et al. ....	D12/564
D579,861 S	11/2008	Haas et al. ....	D12/553	D601,946 S	10/2009	Fontaine et al. ....	D12/553
D579,864 S	11/2008	Haas et al. ....	D12/566	D606,007 S	12/2009	Fontaine et al. ....	D12/564
D586,728 S	2/2009	Heinen et al. ....	D12/547	D610,964 S	3/2010	Dixon et al. ....	D12/552
D589,874 S	4/2009	Fontaine et al. ....	D12/564	D610,973 S	3/2010	Dixon et al. ....	D12/600
D591,221 S	4/2009	Fontaine et al. ....	D12/563	D622,657 S	8/2010	Leocadio et al. ....	D12/553
D591,672 S	5/2009	de Briey-Terlinden .....	D12/553	D635,912 S	4/2011	Knispel .....	D12/564
D592,588 S	5/2009	Heinen et al. ....	D12/564	D638,350 S	5/2011	Knispel .....	D12/564
D595,639 S	7/2009	de Briey-Terlinden .....	D12/553	D640,184 S	6/2011	de Briey-Terlinden .....	D12/553
D595,640 S	7/2009	de Briey-Terlinden .....	D12/564	D640,966 S	7/2011	Fontaine et al. ....	D12/563
D596,109 S	7/2009	de Briey-Terlinden .....	D12/553	D641,305 S	7/2011	de Briey-Terlinden .....	D12/547
D597,475 S	8/2009	Heinen et al. ....	D12/553	D662,454 S	6/2012	Fontaine et al. ....	D12/553
D597,476 S	8/2009	de Briey-Terlinden .....	D12/553	D667,778 S *	9/2012	Drake .....	D12/564
D597,929 S *	8/2009	Diensthuber .....	D12/566	D670,235 S *	11/2012	de Briey-Terlinden .....	D12/567
				D702,626 S *	4/2014	de Briey-Terlinden .....	D12/567
				D721,639 S *	1/2015	Caron .....	D12/565

\* cited by examiner

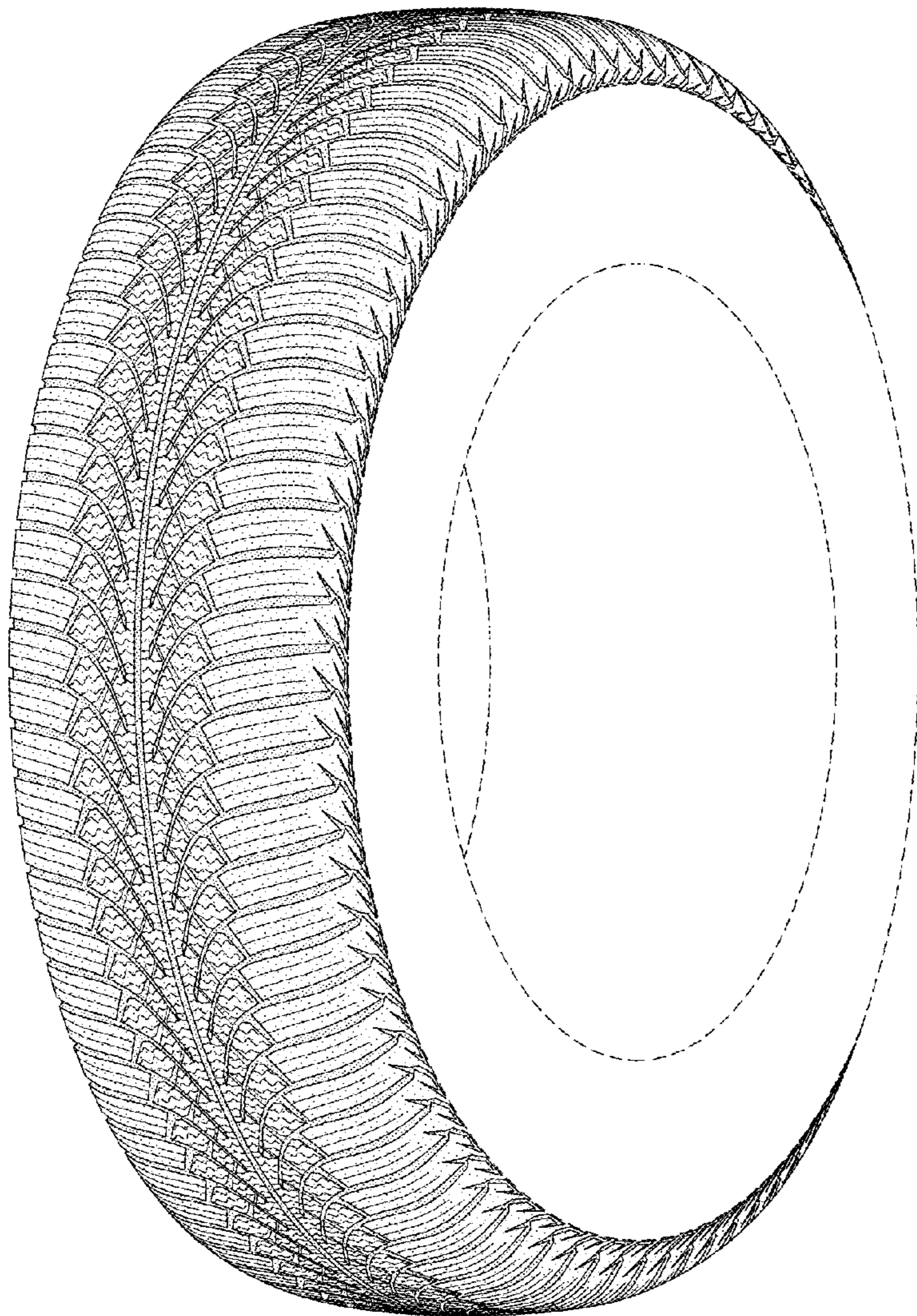


FIG-1

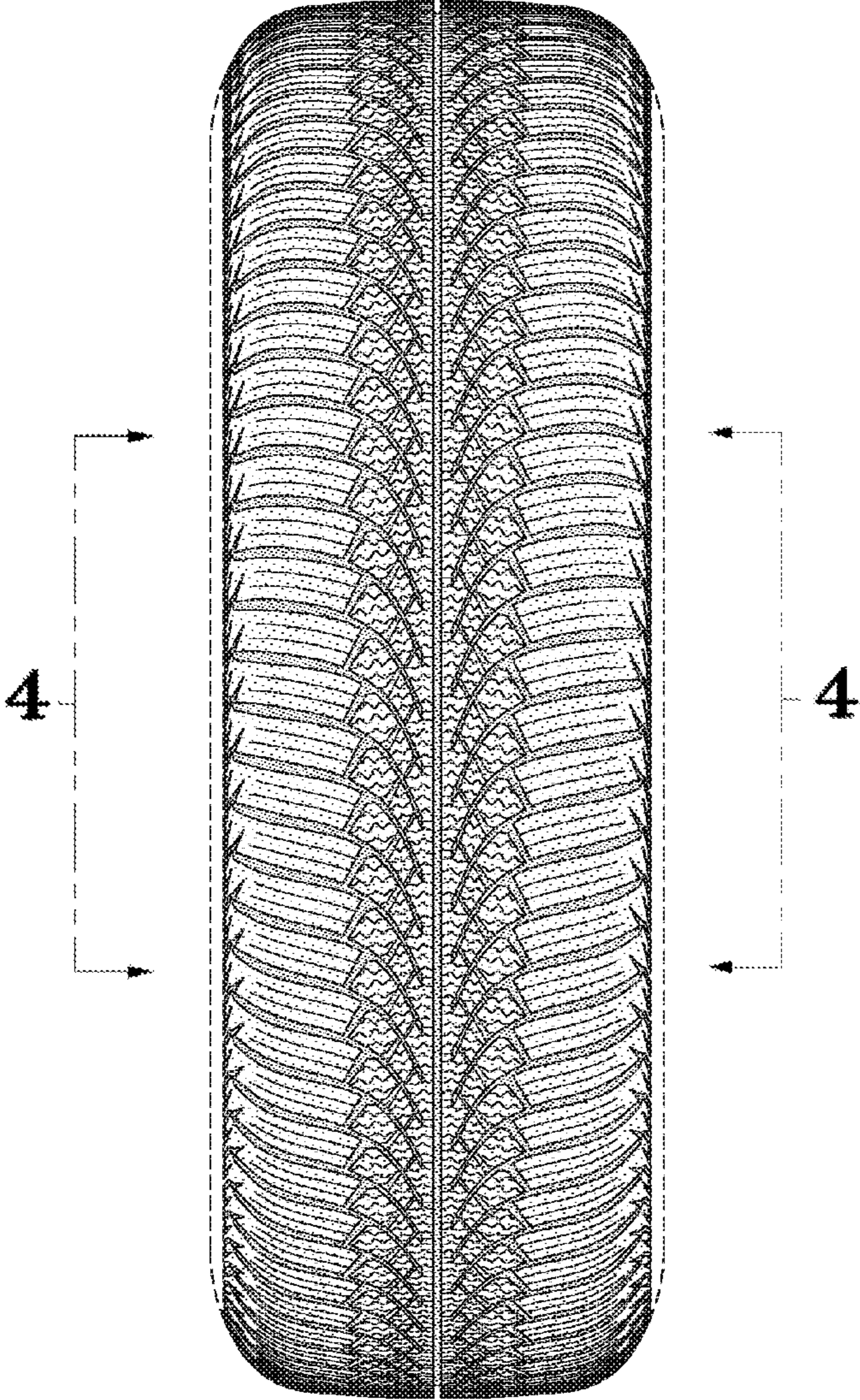


FIG-2

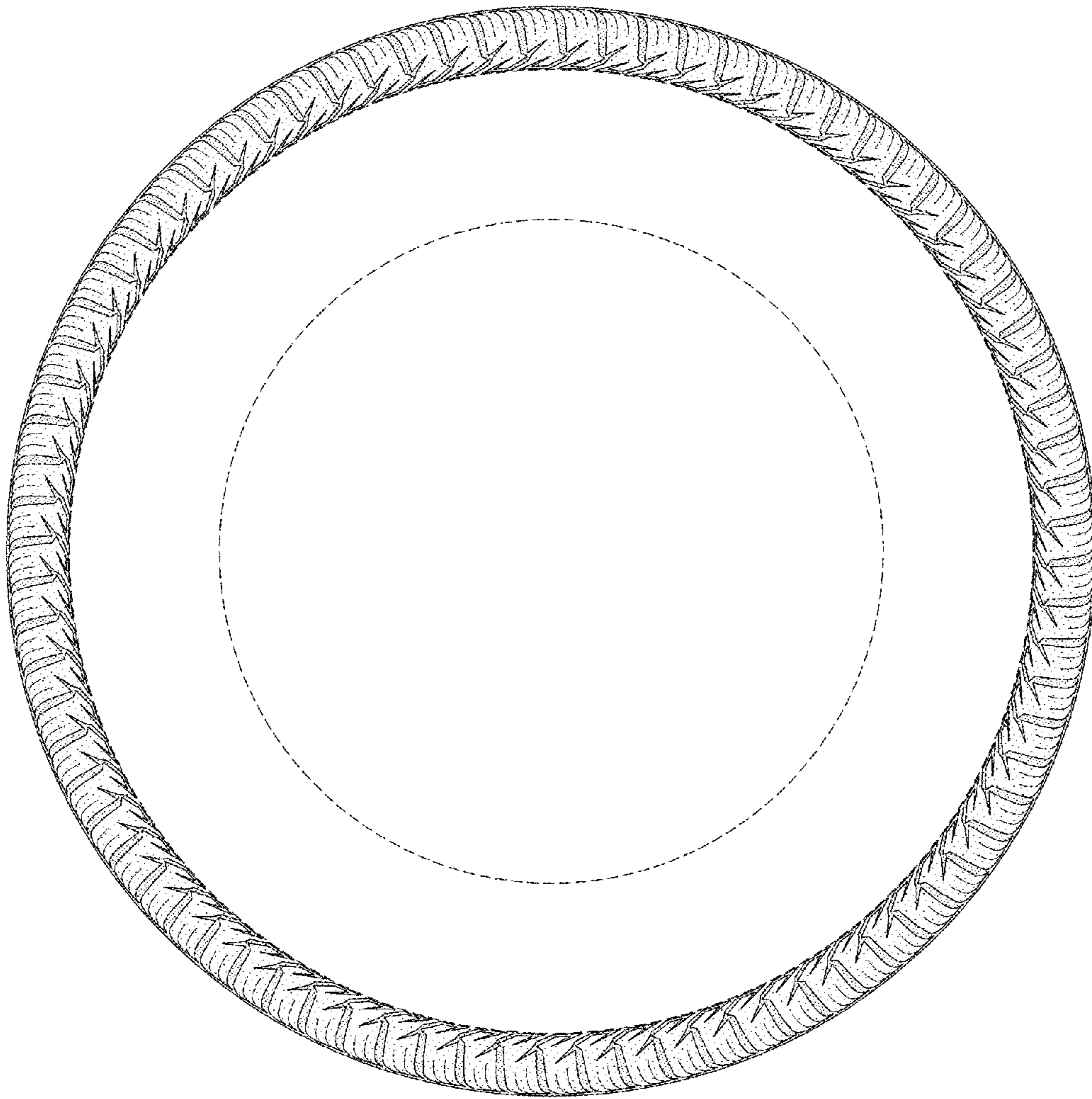


FIG-3

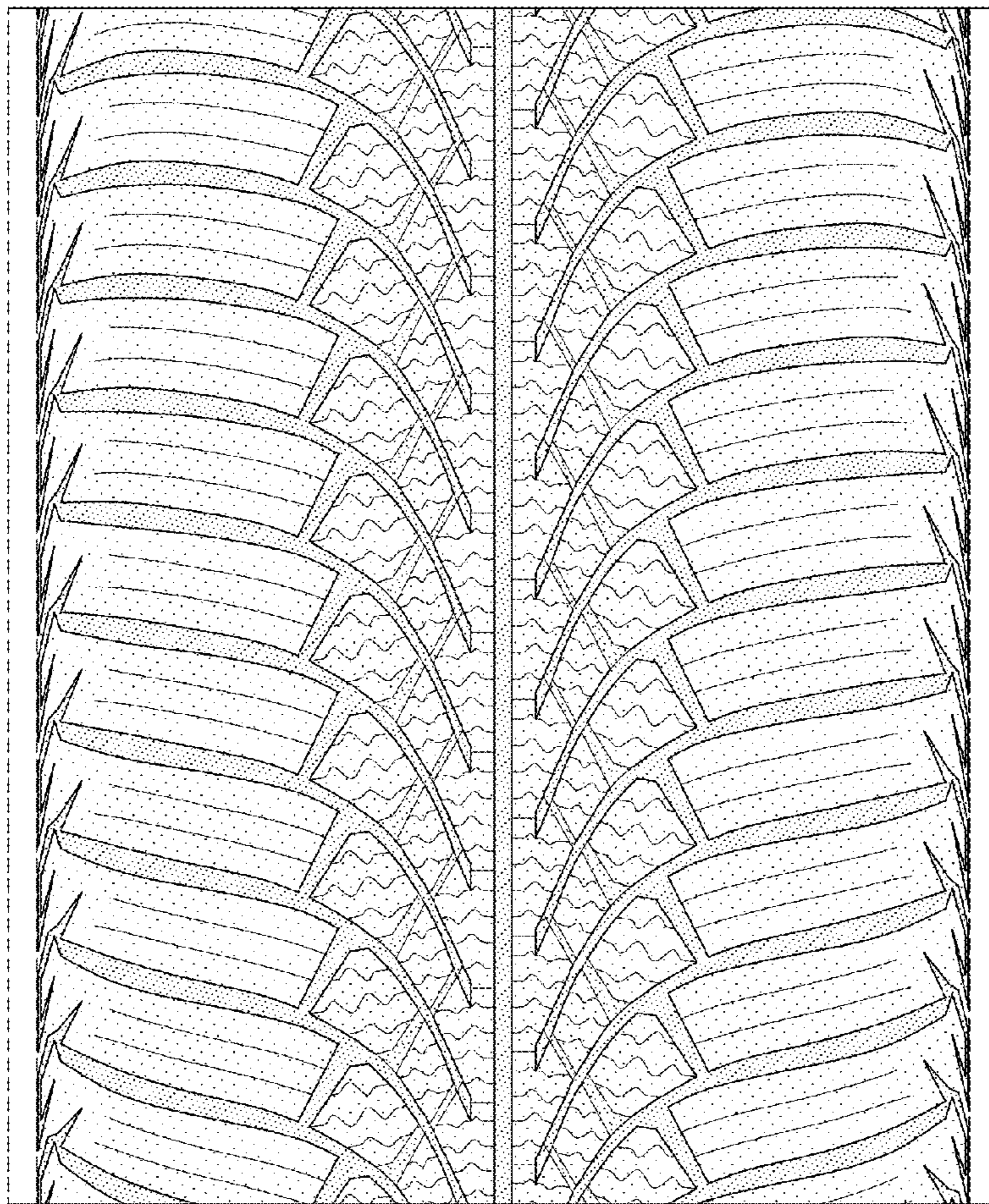


FIG-4

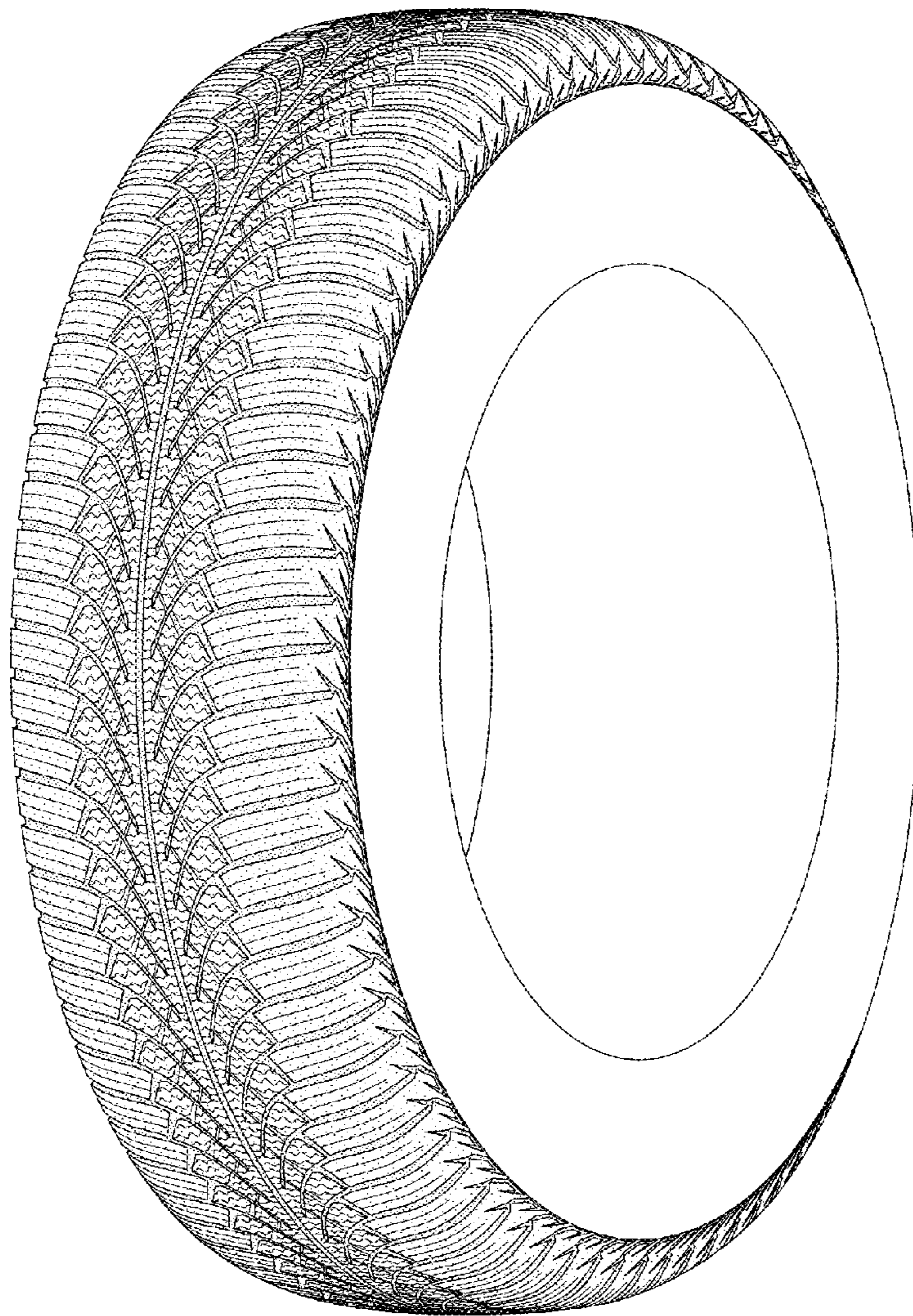


FIG-5

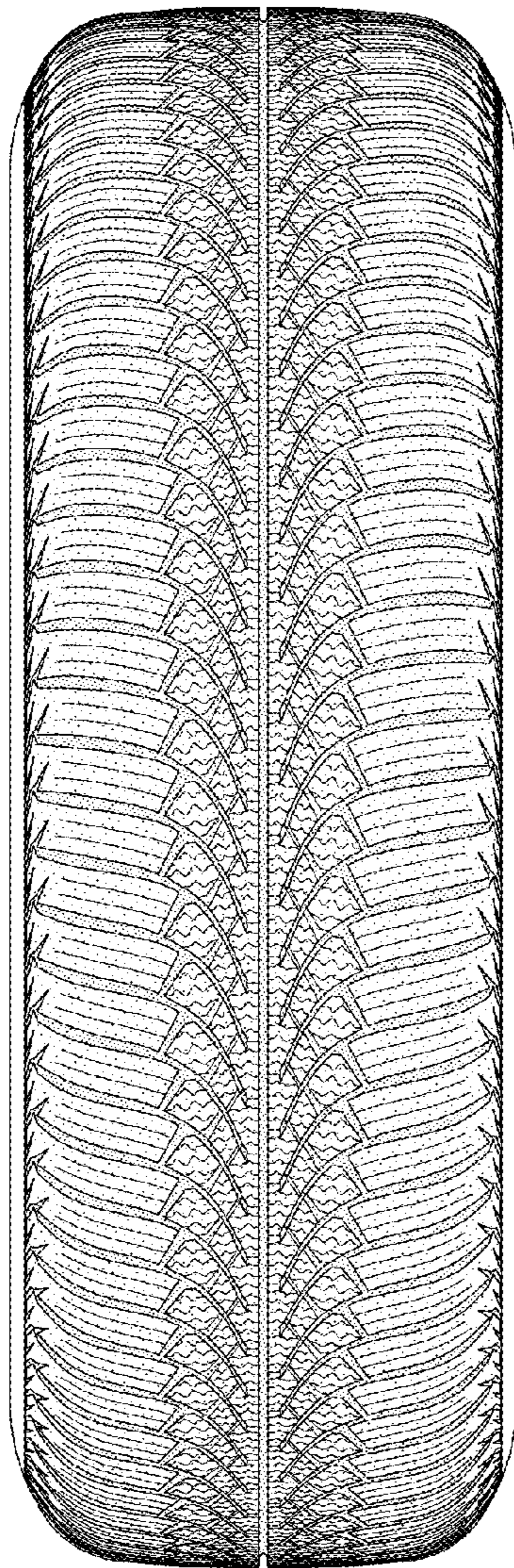


FIG-6