



US00D756890S

(12) **United States Design Patent**
Krebsbach

(10) **Patent No.:** **US D756,890 S**

(45) **Date of Patent:** **** May 24, 2016**

- (54) **TRAFFIC CONE HOLDER**
- (71) Applicant: **Shaun Krebsbach**, St. Paul, MN (US)
- (72) Inventor: **Shaun Krebsbach**, St. Paul, MN (US)
- (**) Term: **14 Years**
- (21) Appl. No.: **29/463,935**
- (22) Filed: **Apr. 11, 2014**
- (51) **LOC (10) Cl.** **12-16**
- (52) **U.S. Cl.**
USPC **D12/406**
- (58) **Field of Classification Search**
USPC D12/406, 400, 426, 415-420, 424, 425
CPC B63B 7/085; B63B 25/00; B60R 16/04;
B60R 17/00; B60R 9/06
See application file for complete search history.

- 2015/0307031 A1* 10/2015 Bohmer B60R 9/10
224/520
- 2015/0321619 A1* 11/2015 Jung B60R 9/06
224/511
- 2015/0367785 A1* 12/2015 Sanders B60R 9/06
224/519

* cited by examiner

Primary Examiner — Katrina A Betton

(74) *Attorney, Agent, or Firm* — Paul R Martin

(57) **CLAIM**

The ornamental design for a traffic cone holder, as shown and described.

DESCRIPTION

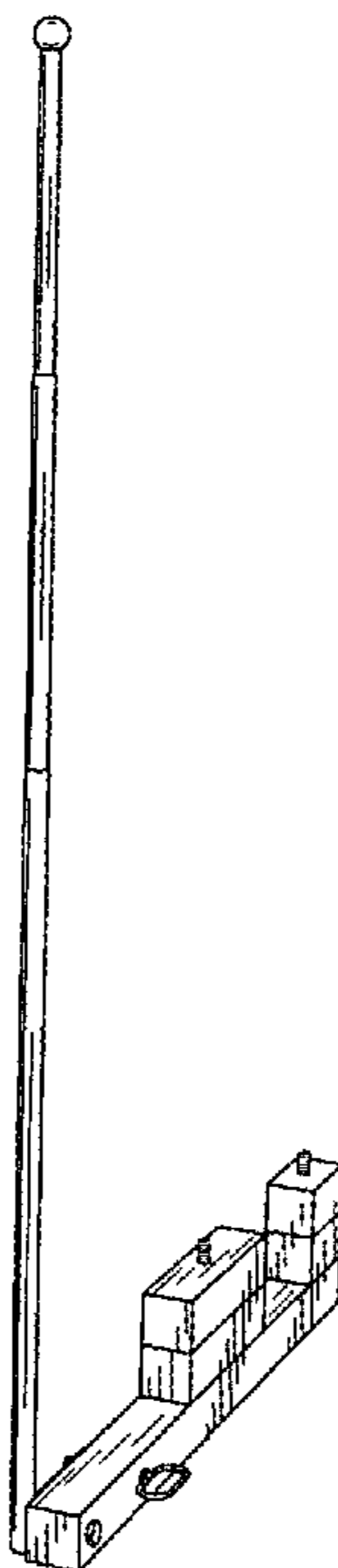
FIG. 1 is a perspective view of the traffic cone holder of my new design showing it attached to the rear of a truck.
 FIG. 2 is a perspective view of the traffic cone holder of my new design showing an arm of the cone holder in an un-locked position.
 FIG. 3 is a perspective view thereof showing the arm in a vertical, locked position.
 FIG. 4 is an elevational view from the right side thereof.
 FIG. 5 is an elevational view from the left side thereof.
 FIG. 6 is a front elevational view thereof.
 FIG. 7 is a rear elevational view thereof.
 FIG. 8 is a bottom plan view thereof; and,
 FIG. 9 is a top plan view thereof.
 The broken line figures shown in FIG. 1, depicting a truck with traffic cones positioned in the rear thereof, are environmental elements and are not a part of my new design.

(56) **References Cited**

U.S. PATENT DOCUMENTS

- D655,238 S * 3/2012 Vu D12/406
- D669,014 S * 10/2012 Matijevich D12/223
- D713,776 S * 9/2014 Steady D12/406
- D714,715 S * 10/2014 Russell D12/406
- 2015/0175084 A1* 6/2015 Tressel B60R 9/08
224/499
- 2015/0203049 A1* 7/2015 Eichmann B60D 1/42
224/509
- 2015/0274086 A1* 10/2015 Moak G09F 17/00
296/37.6
- 2015/0283951 A1* 10/2015 Singleton B60J 7/106
224/519
- 2015/0283953 A1* 10/2015 Romanelli B60R 11/00
280/769

1 Claim, 5 Drawing Sheets



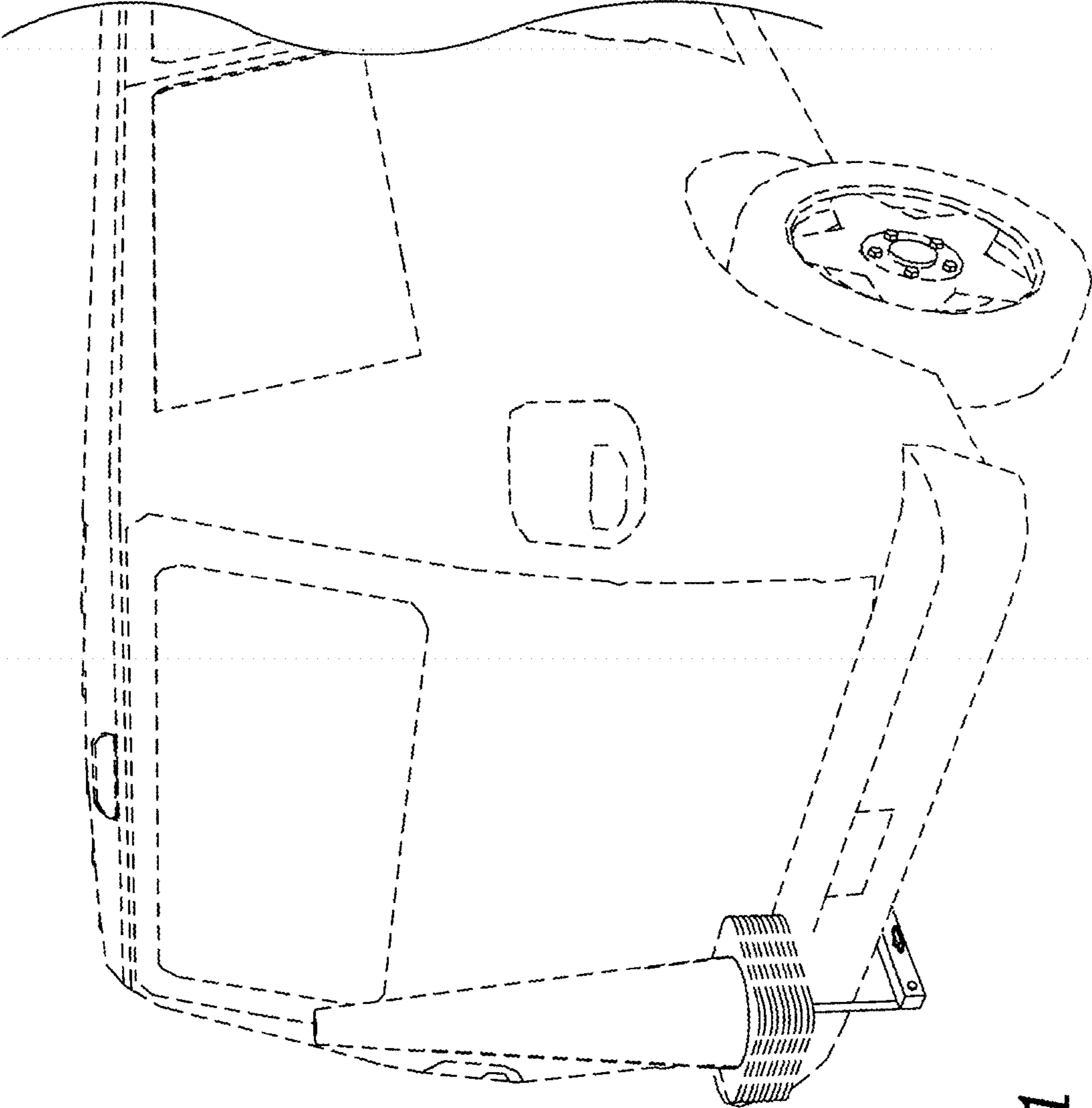


FIG. 1

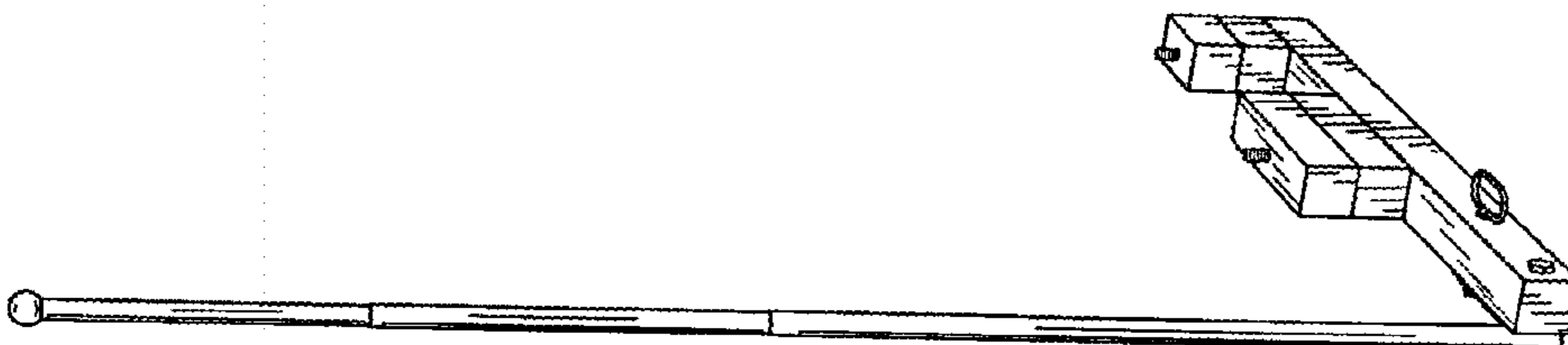


FIG. 3

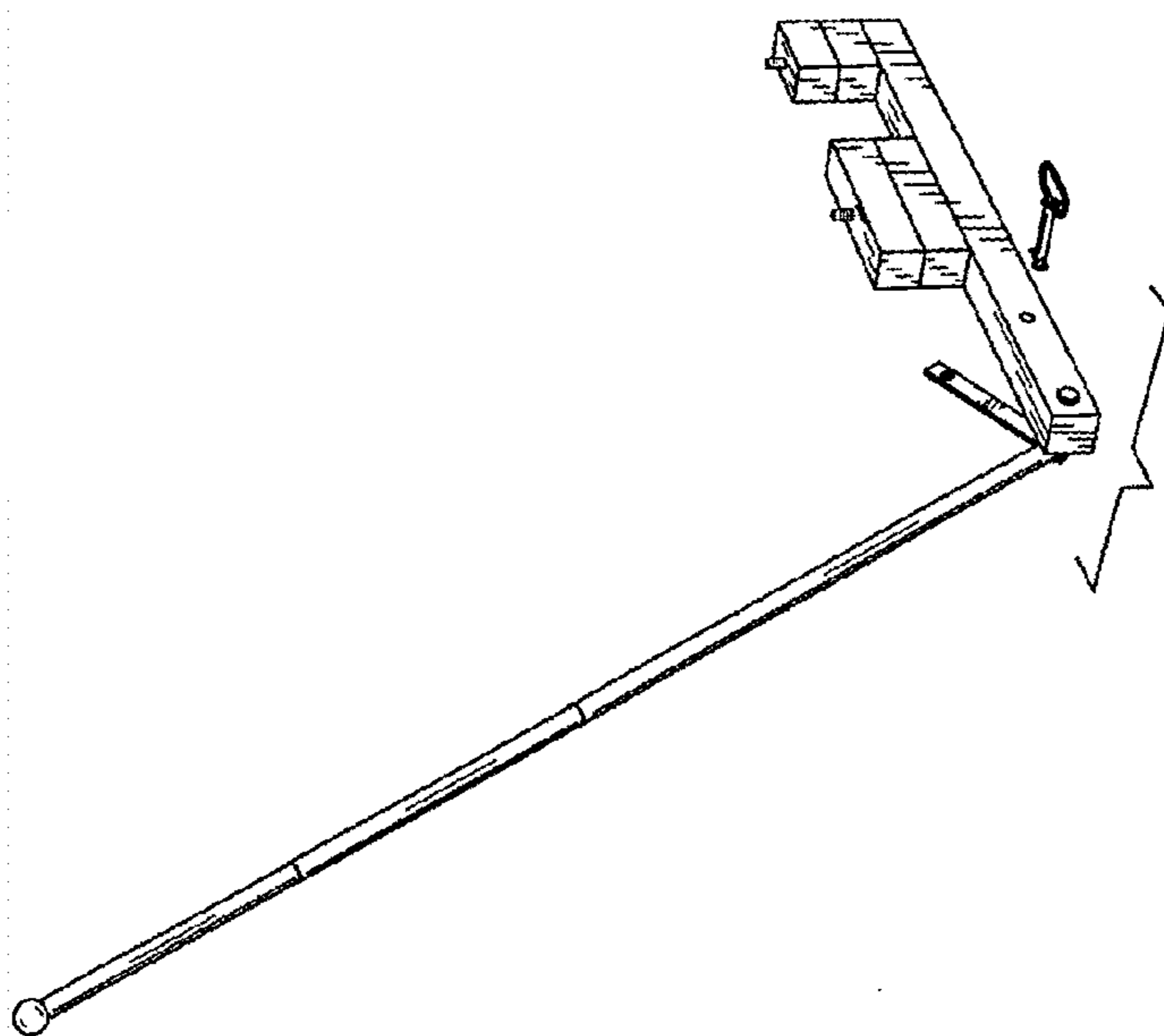


FIG. 2

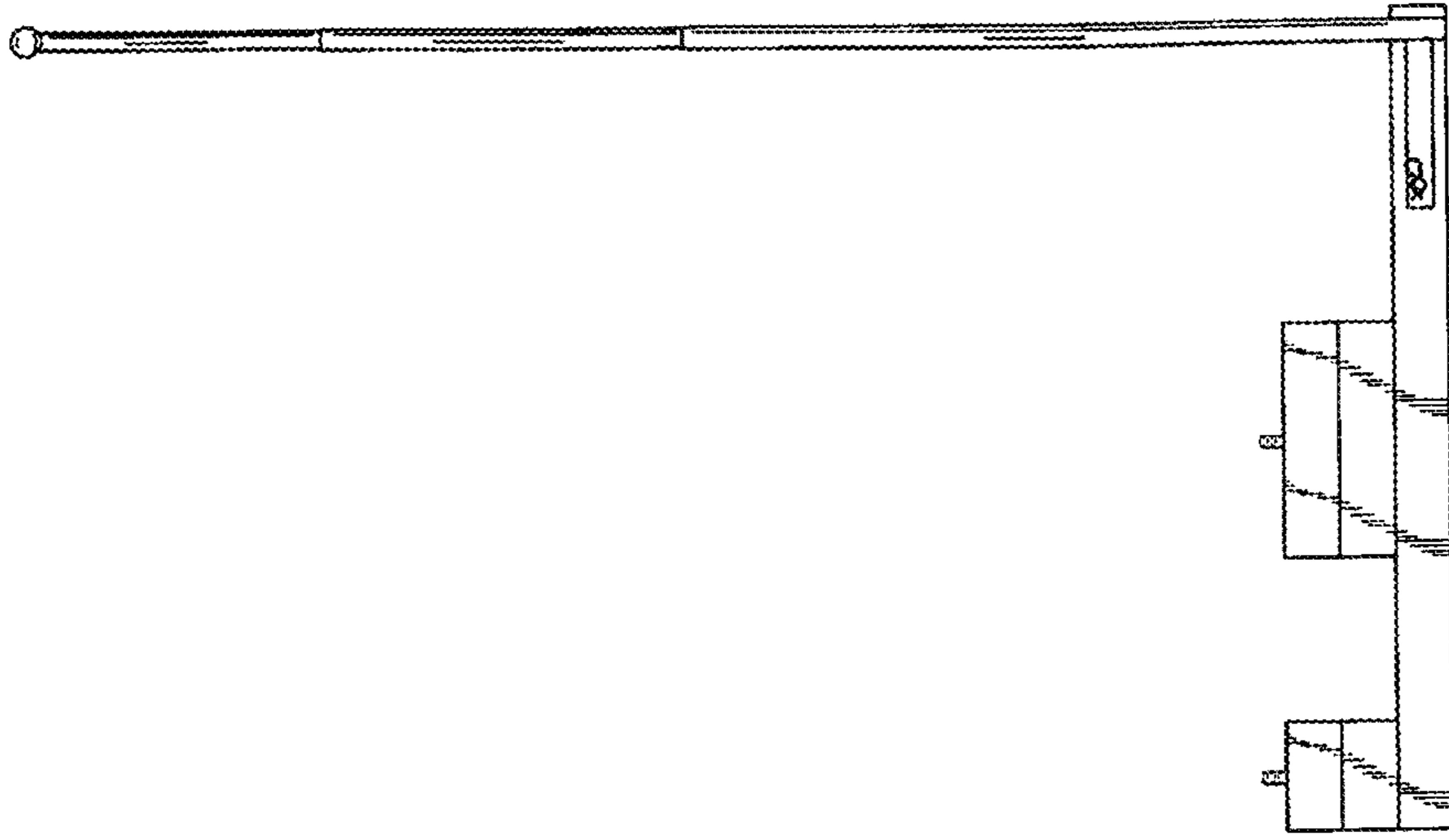


FIG. 4

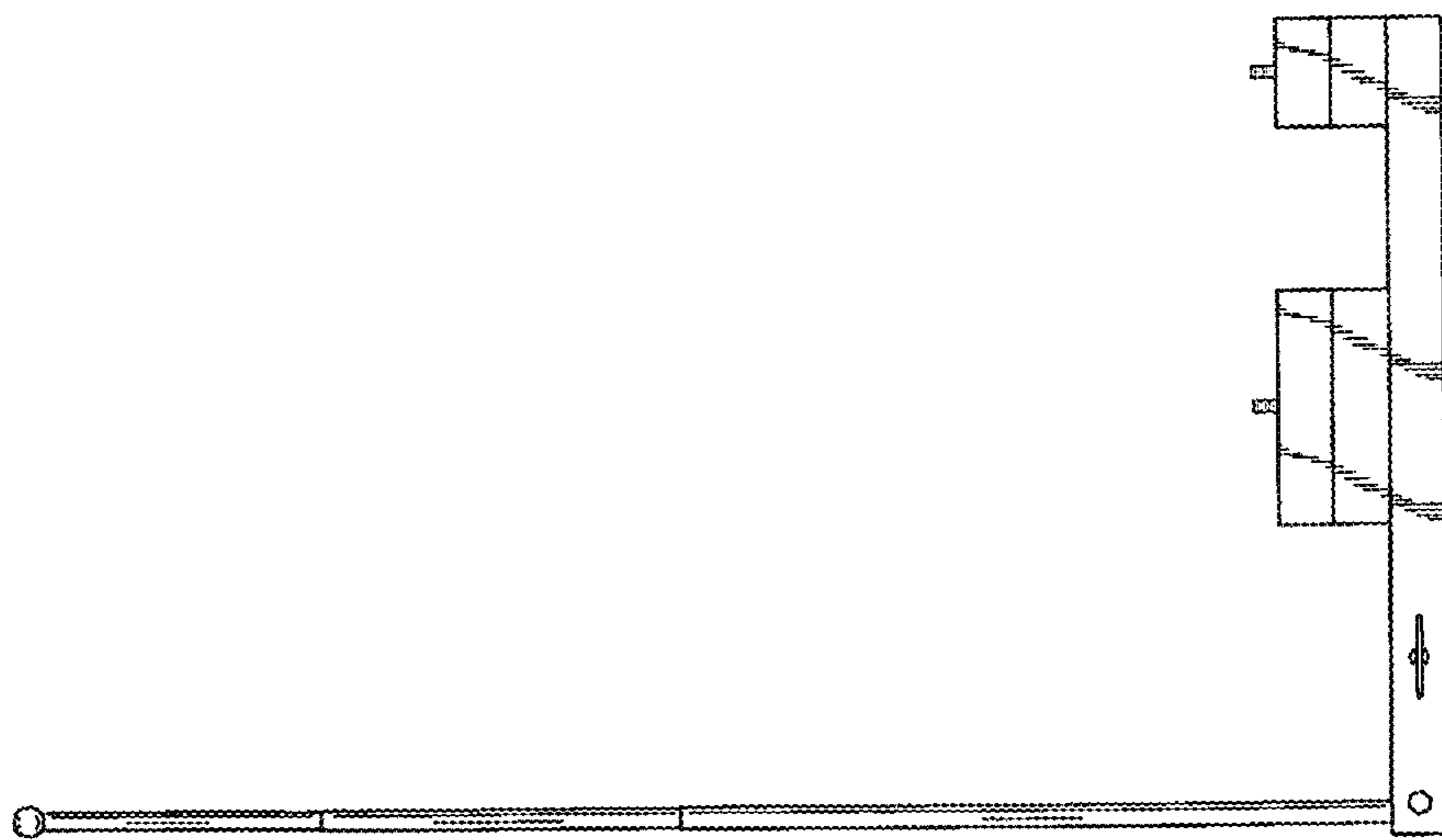


FIG. 5

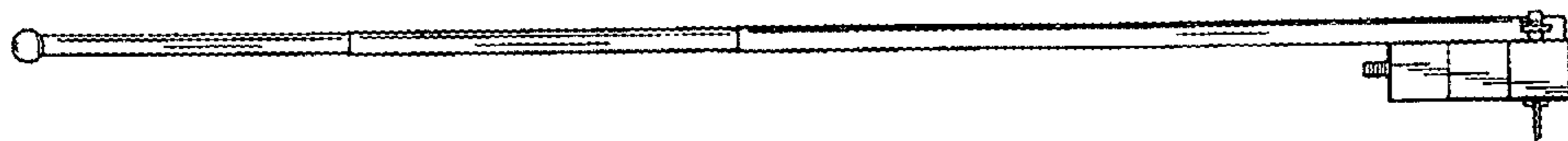


FIG. 7

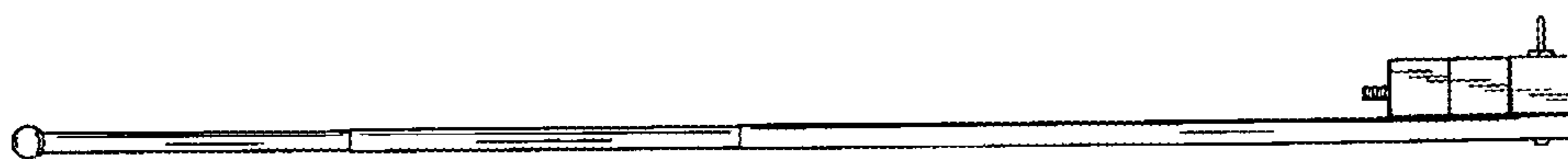


FIG. 6

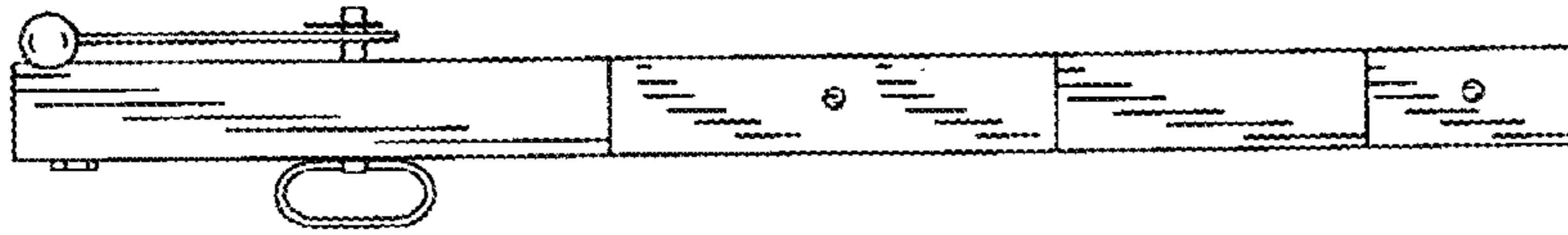


FIG. 9

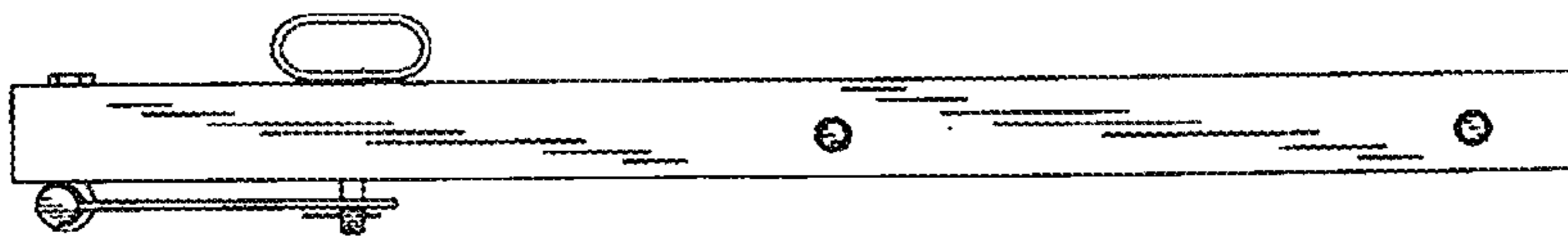


FIG. 8