



US00D756889S

(12) **United States Design Patent**
Cover

(10) **Patent No.:** **US D756,889 S**
(45) **Date of Patent:** **** May 24, 2016**

(54) **CONVERTIBLE TOP FOR AN AUTOMOBILE**

(71) Applicant: **Lund Motion Products, Inc.**, Buford,
GA (US)

(72) Inventor: **Scott Cover**, Fullerton, CA (US)

(73) Assignee: **LUND MOTION PRODUCTS, INC.**,
Buford, GA (US)

(**) Term: **14 Years**

(21) Appl. No.: **29/511,218**

(22) Filed: **Dec. 8, 2014**

(51) **LOC (10) Cl.** **12-16**

(52) **U.S. Cl.**
USPC **D12/403**

(58) **Field of Classification Search**
USPC D12/401-405; D6/610, 611, 596, 601,
D6/602, 603, 615, 617, 621; D7/332,
D7/334-337
CPC B62J 19/00; B62J 1/18; B62J 1/20;
B62J 1/22; B62J 1/24; B62J 1/26; B62J 1/28
See application file for complete search history.

(56) **References Cited**

U.S. PATENT DOCUMENTS

D259,340 S *	5/1981	Stengel	D12/401
D318,446 S *	7/1991	Magyar	D12/403
D322,055 S *	12/1991	Bruce	D12/403
5,299,850 A *	4/1994	Kaneko	B60J 7/1291 296/107.13
5,673,959 A	10/1997	Padlo		
D394,638 S *	5/1998	Weiner	D12/403
D397,669 S *	9/1998	Komick	D12/403
D435,509 S *	12/2000	Hickman	D12/401
6,206,450 B1	3/2001	Ide et al.		
D445,396 S *	7/2001	Wood	D12/403
6,305,734 B1	10/2001	Pecho et al.		
6,431,635 B2	8/2002	Nicastri		
7,025,404 B1 *	4/2006	Gilbert	B60J 7/10 135/913

7,029,052 B2	4/2006	Troeger et al.		
7,510,231 B2	3/2009	Lewis et al.		
8,056,956 B2	11/2011	Heselhaus		
8,132,841 B2	3/2012	Steuernagel et al.		
D732,460 S *	6/2015	Seneker	D12/403

* cited by examiner

FOREIGN PATENT DOCUMENTS

DE 10147017 A1 4/2003

Primary Examiner — Katrina A Betton

(74) *Attorney, Agent, or Firm* — Knobbe Martens Olson & Bear LLP

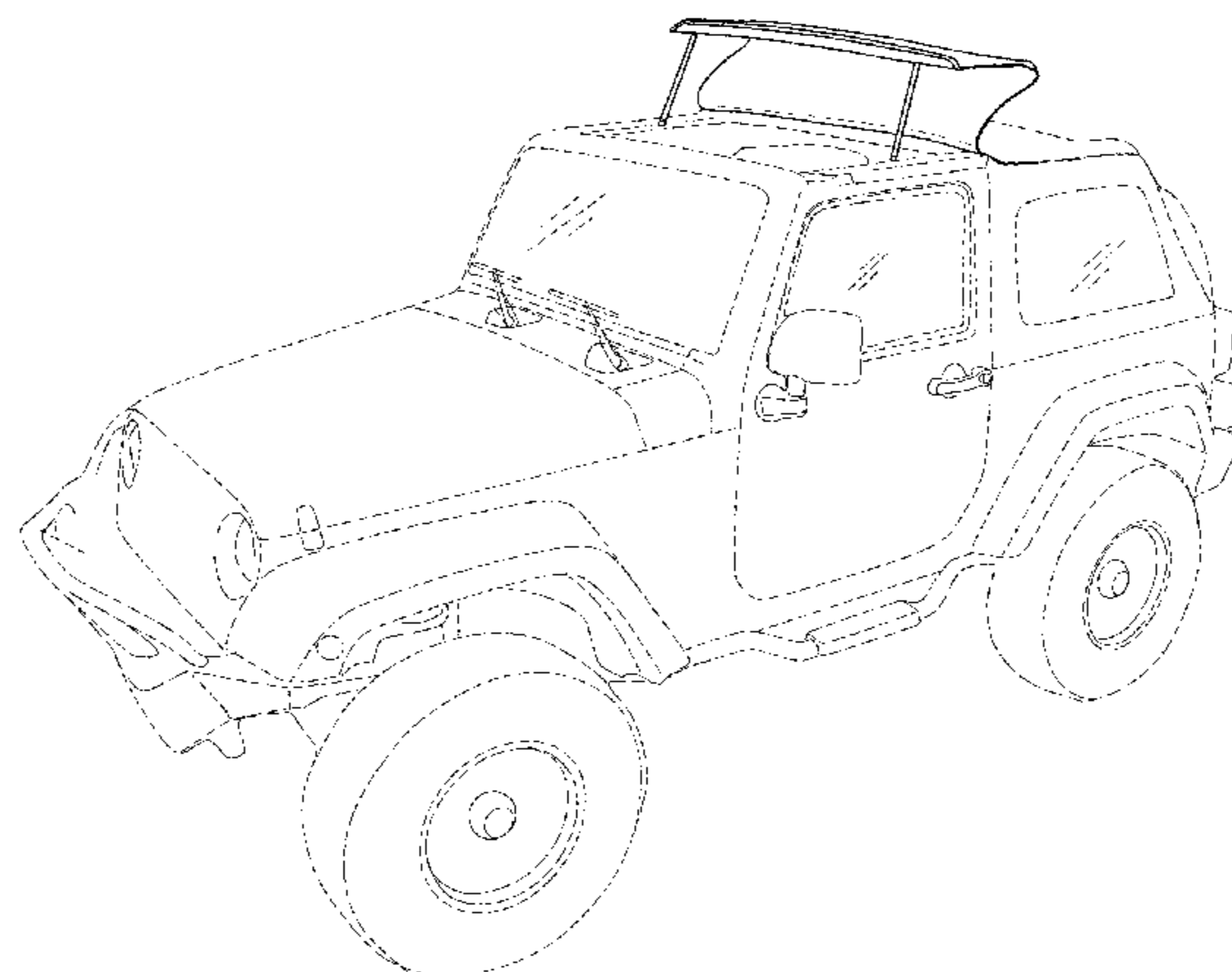
(57) **CLAIM**

The ornamental design for a convertible top for an automobile, as shown and described.

DESCRIPTION

FIG. 1 is a front perspective view of a convertible top for an automobile, showing my new design;
 FIG. 2 is an enlarged front perspective view thereof;
 FIG. 3 is a left side elevation view thereof, it being understood that the right side is a mirror image thereof;
 FIG. 4 is a rear perspective view thereof;
 FIG. 5 is another rear perspective view thereof;
 FIG. 6 is a front perspective view thereof of the convertible top for an automobile in an intermediate position;
 FIG. 7 is a left side elevation view of the convertible top for an automobile in the intermediate position, it being understood that the right side is a mirror image thereof;
 FIG. 8 is a rear perspective view of the convertible top for an automobile shown in the intermediate position;
 FIG. 9 is a rear perspective view of the convertible top for an automobile shown in a closed position;
 FIG. 10 is another rear perspective view of the convertible top for an automobile shown in the closed position; and
 FIG. 11 is a front perspective view of the convertible top for an automobile in the closed position; and,
 FIG. 12 is a left side elevation view of the convertible top for an automobile in the closed position, it being understood that the right side is a mirror image thereof.
 Broken lines are for illustrative purpose only and form no part of the claimed design.

1 Claim, 12 Drawing Sheets



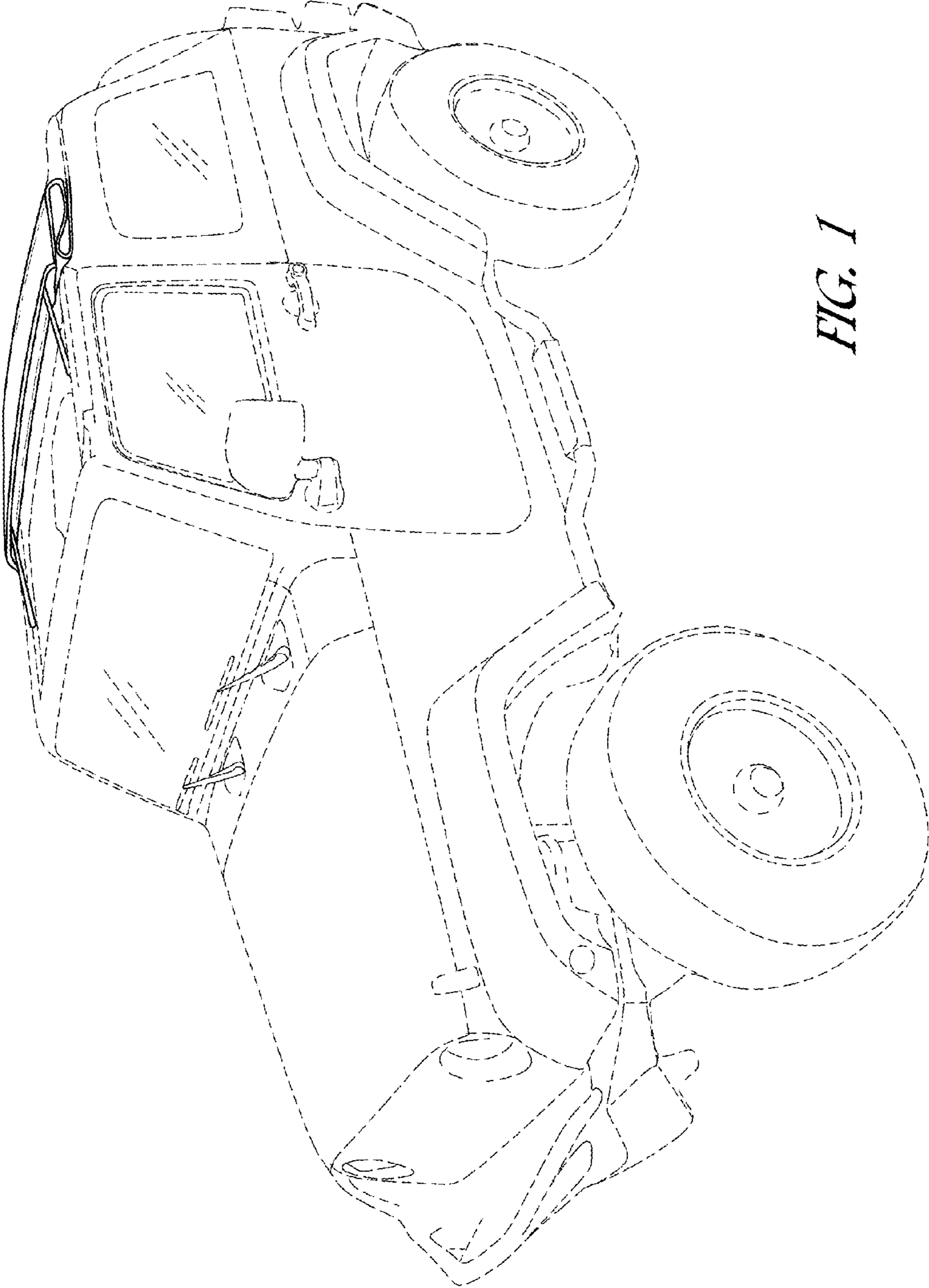


FIG. 1

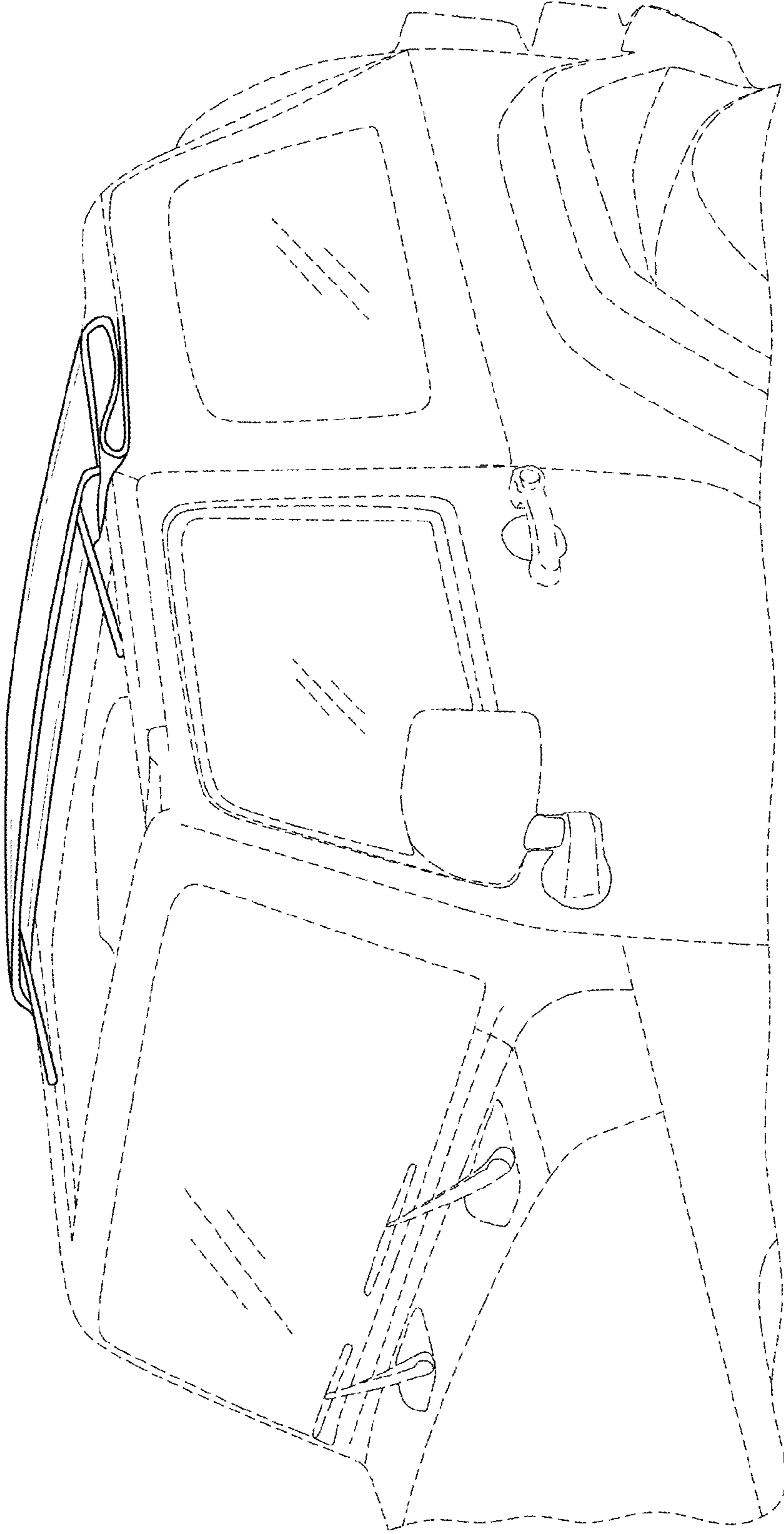


FIG. 2

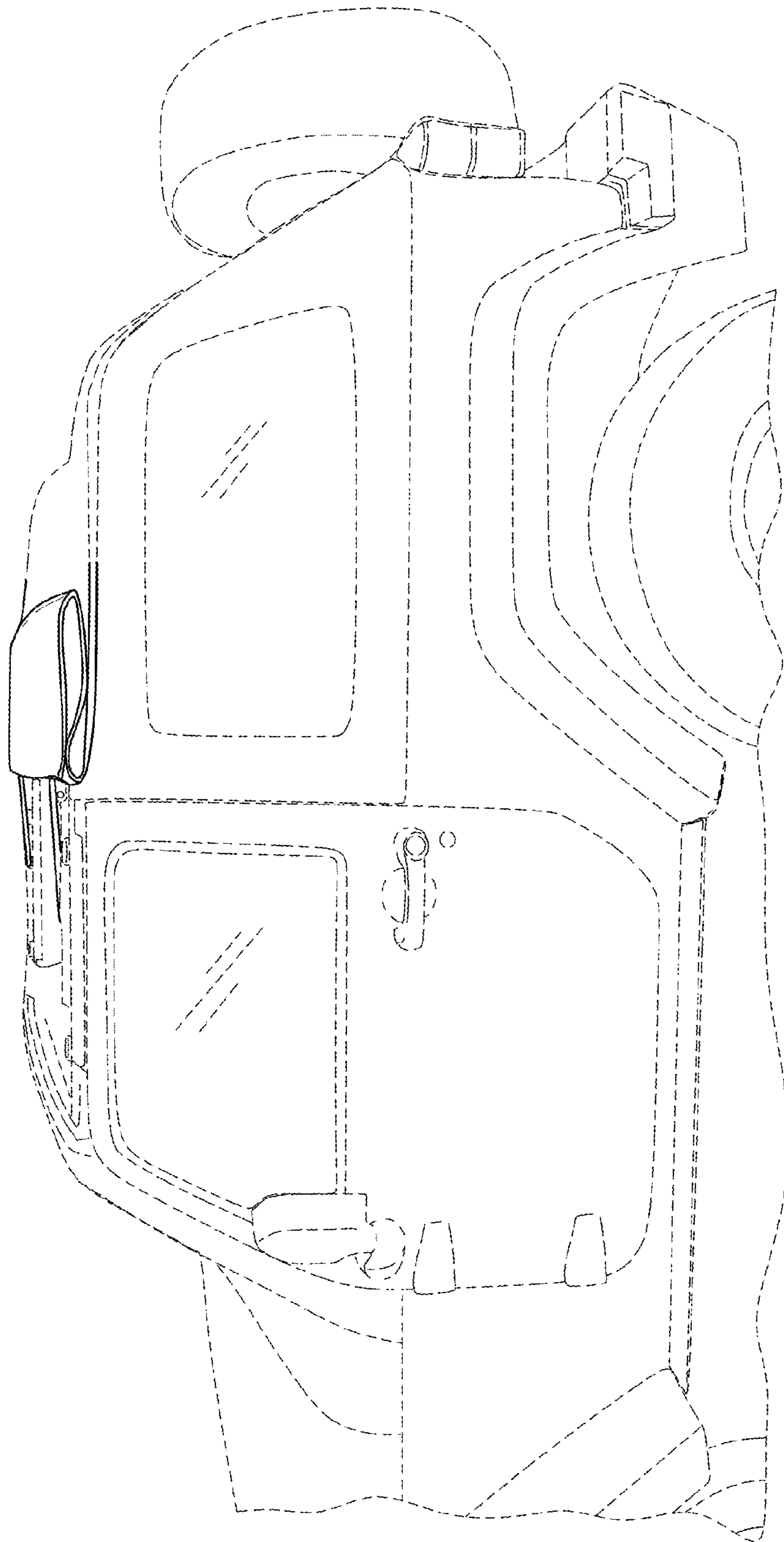


FIG. 3

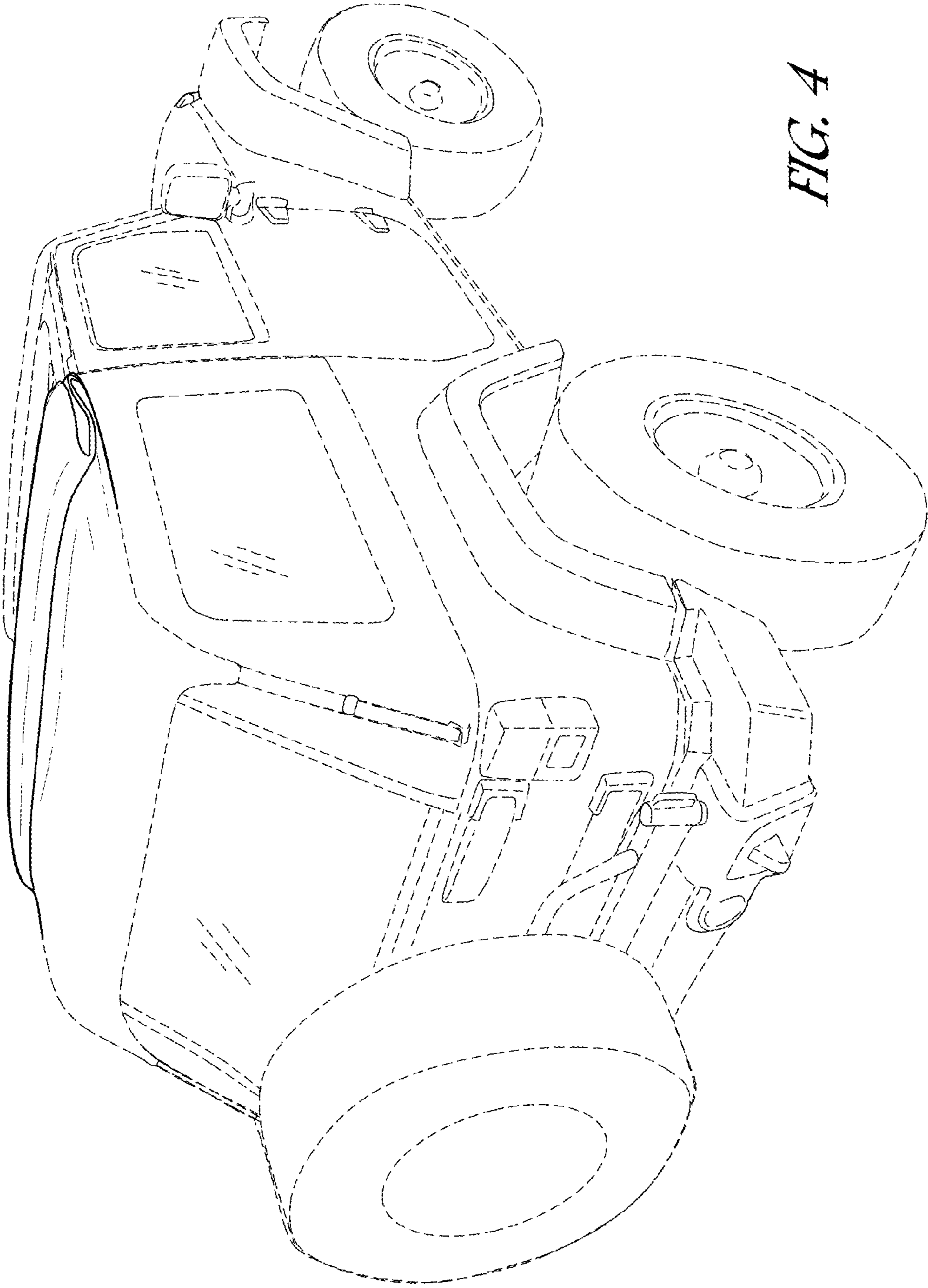


FIG. 4

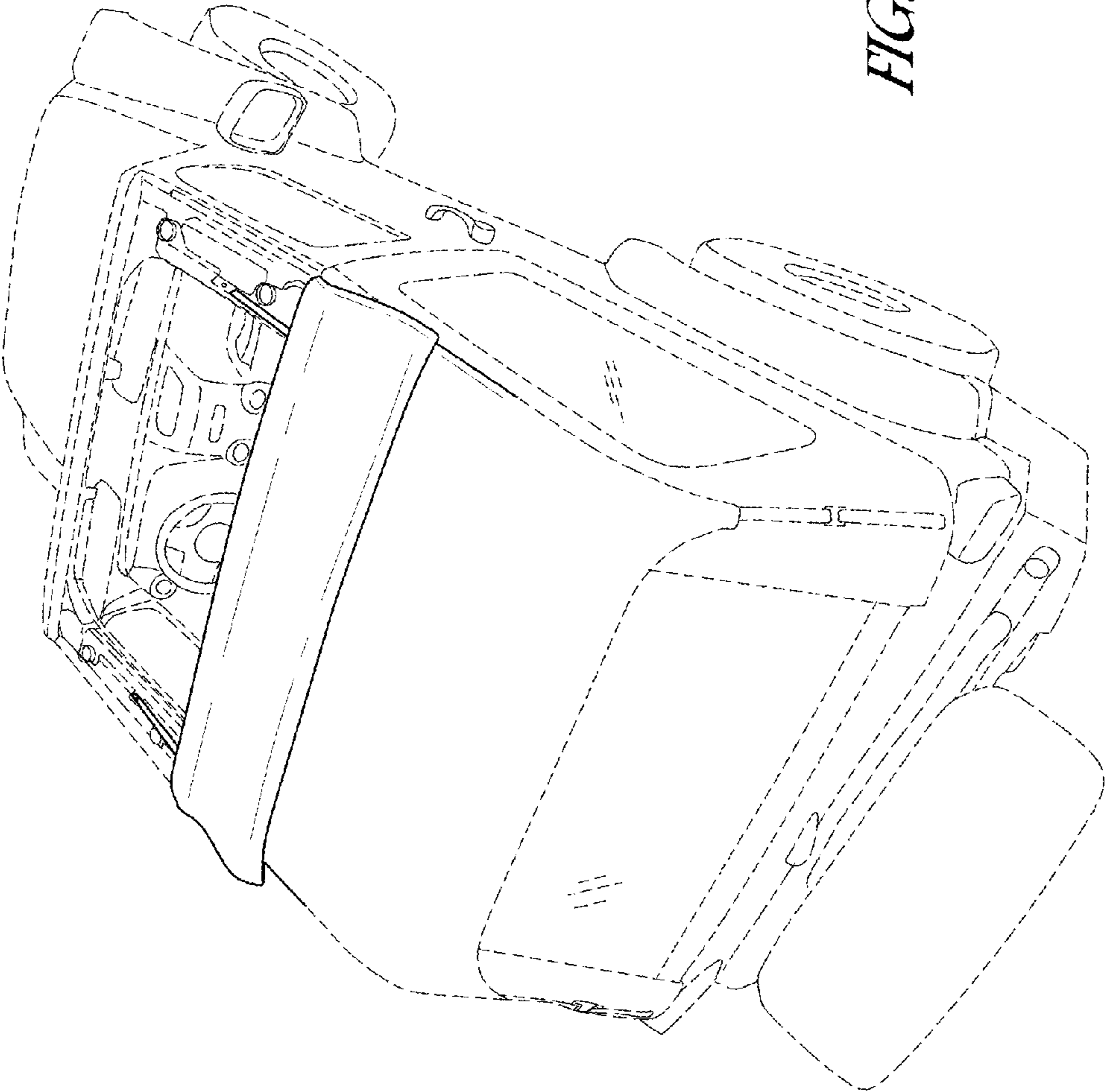


FIG. 5

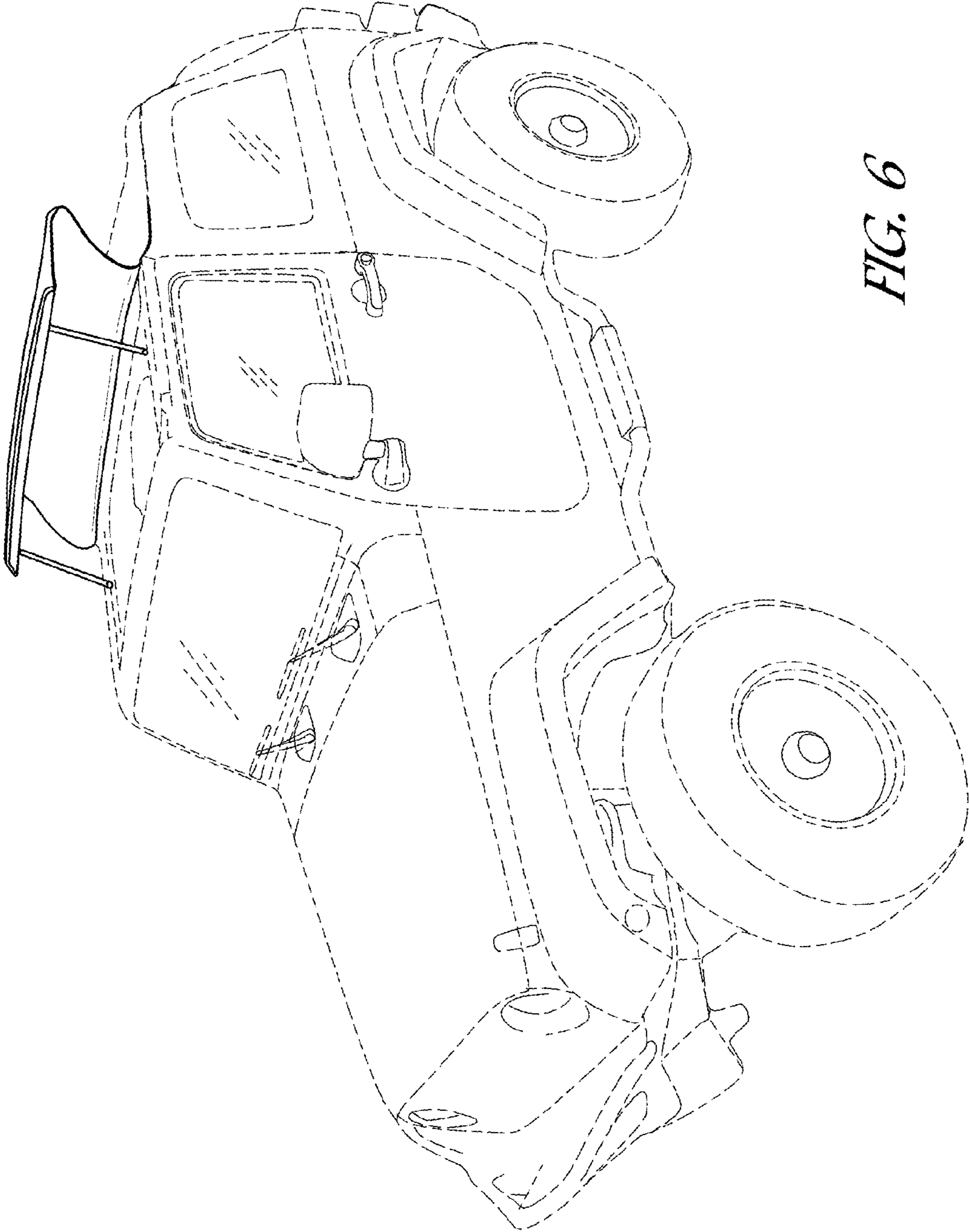


FIG. 6

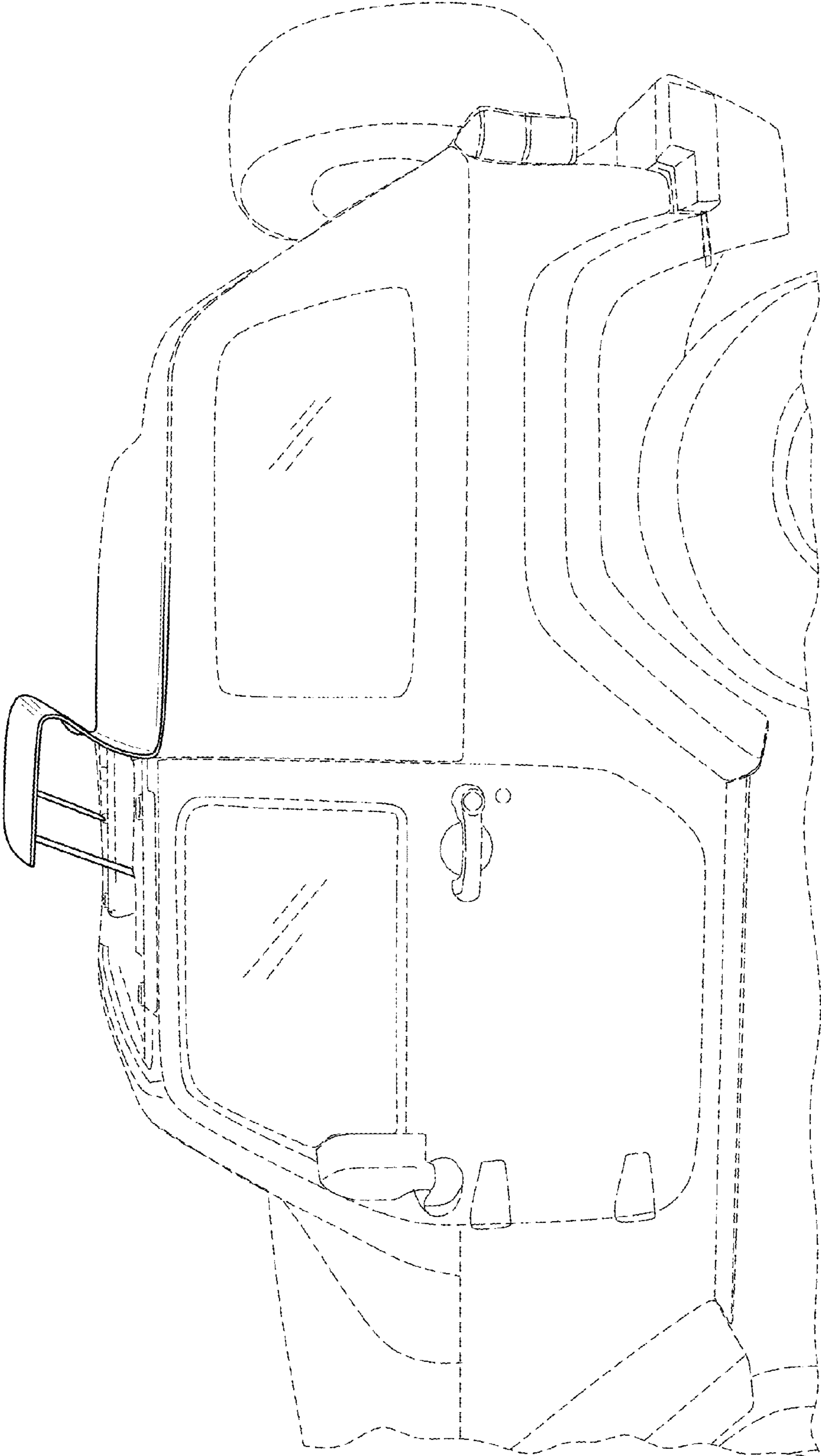


FIG. 7

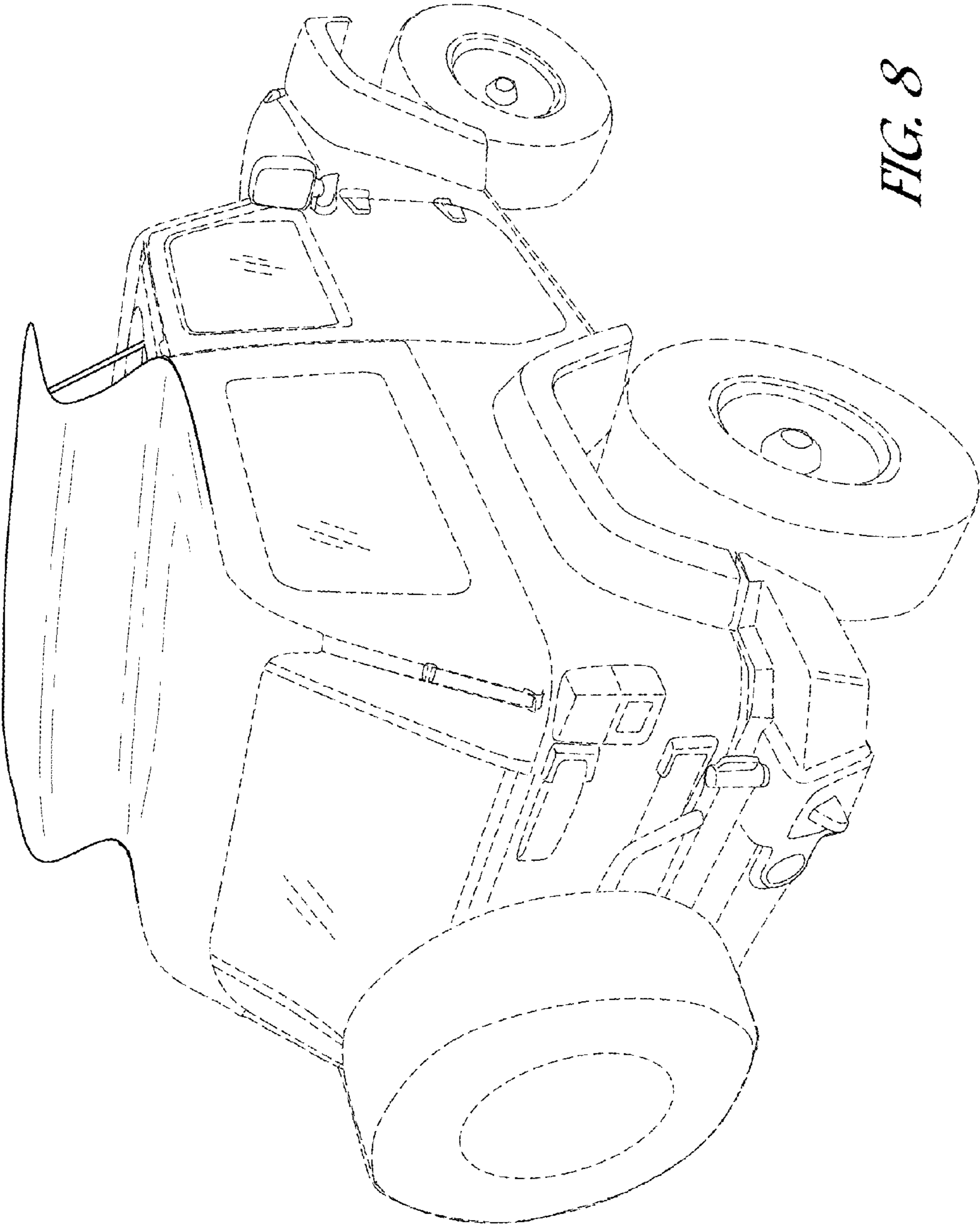
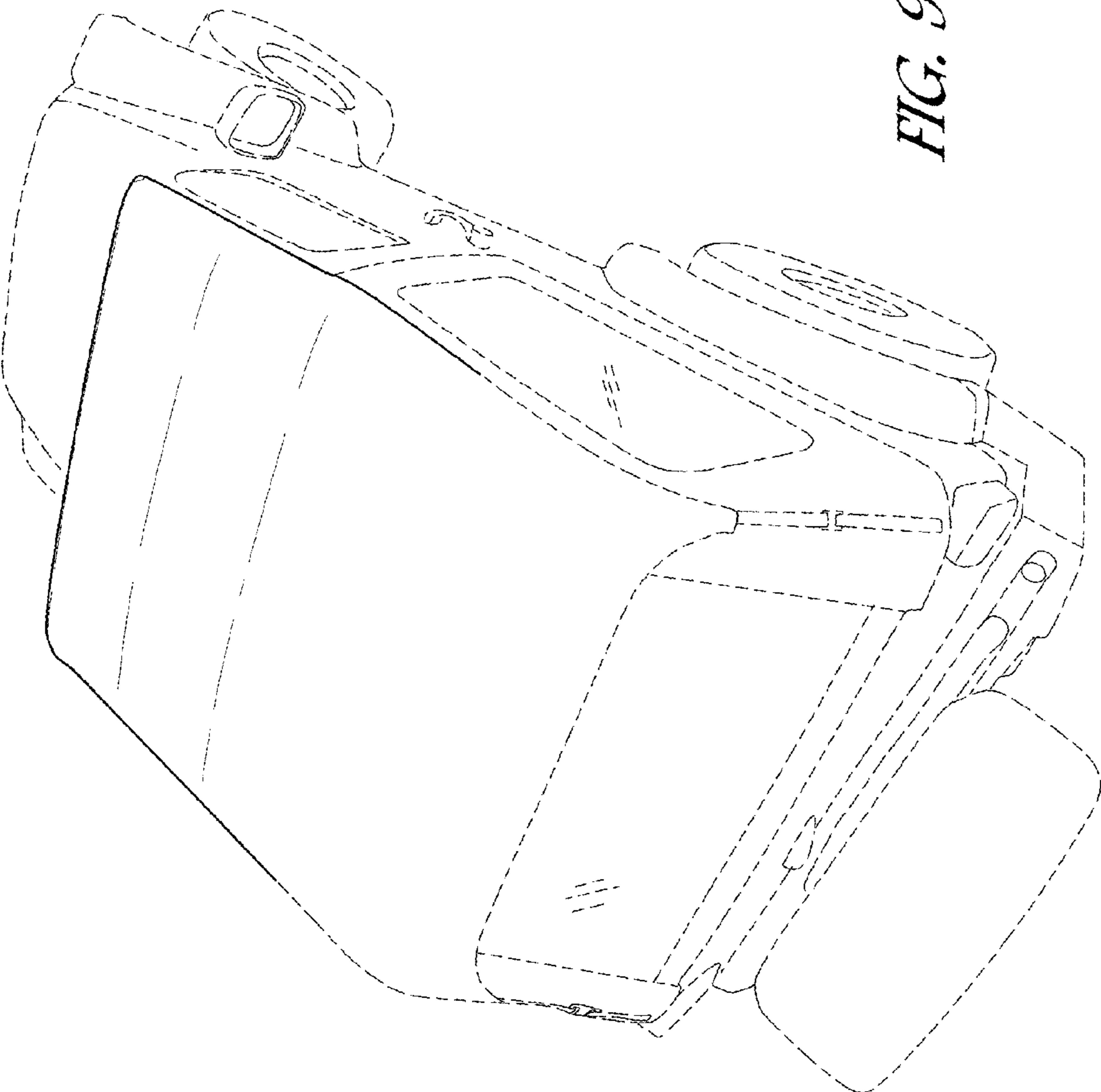


FIG. 8



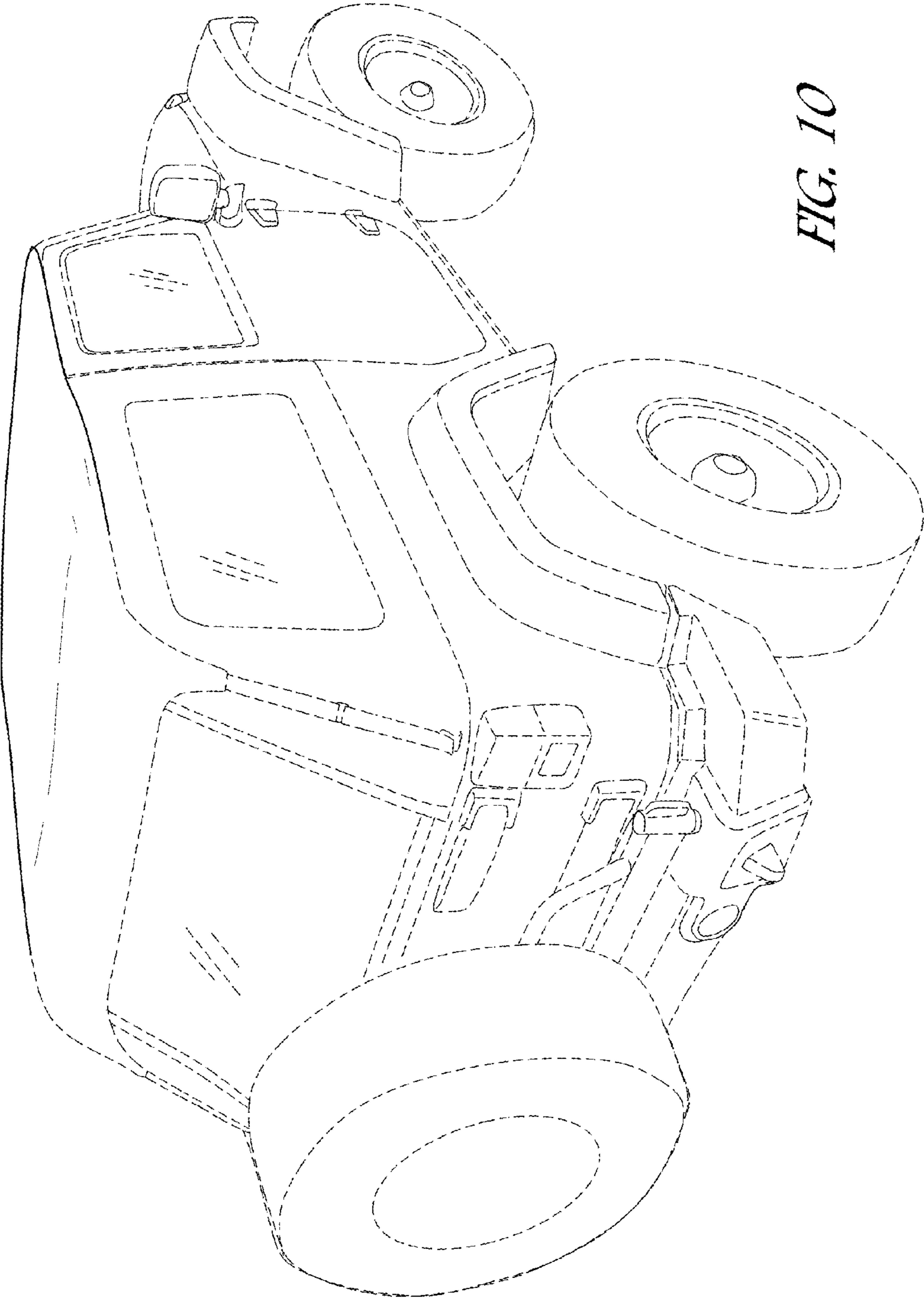


FIG. 10

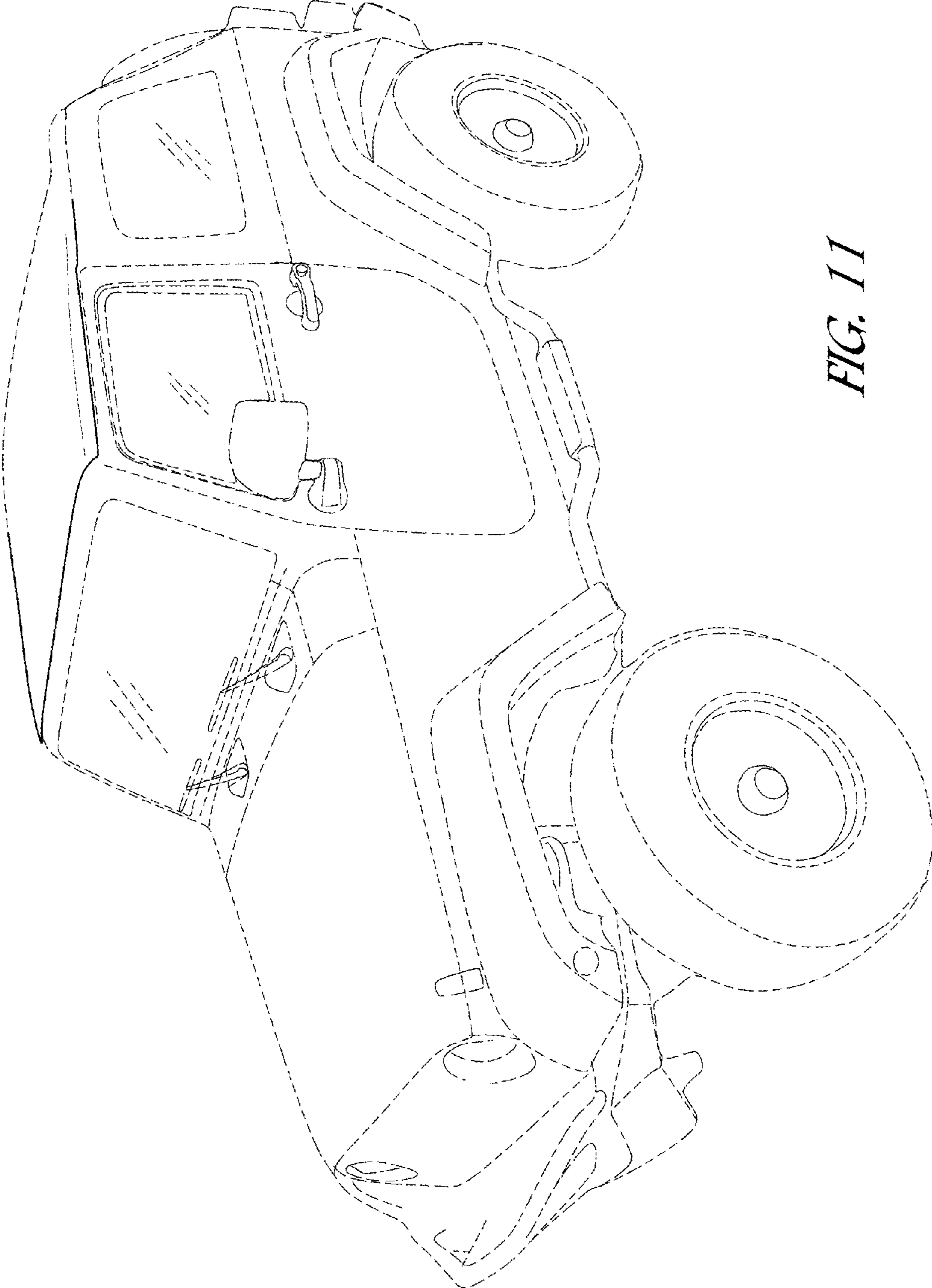


FIG. 11

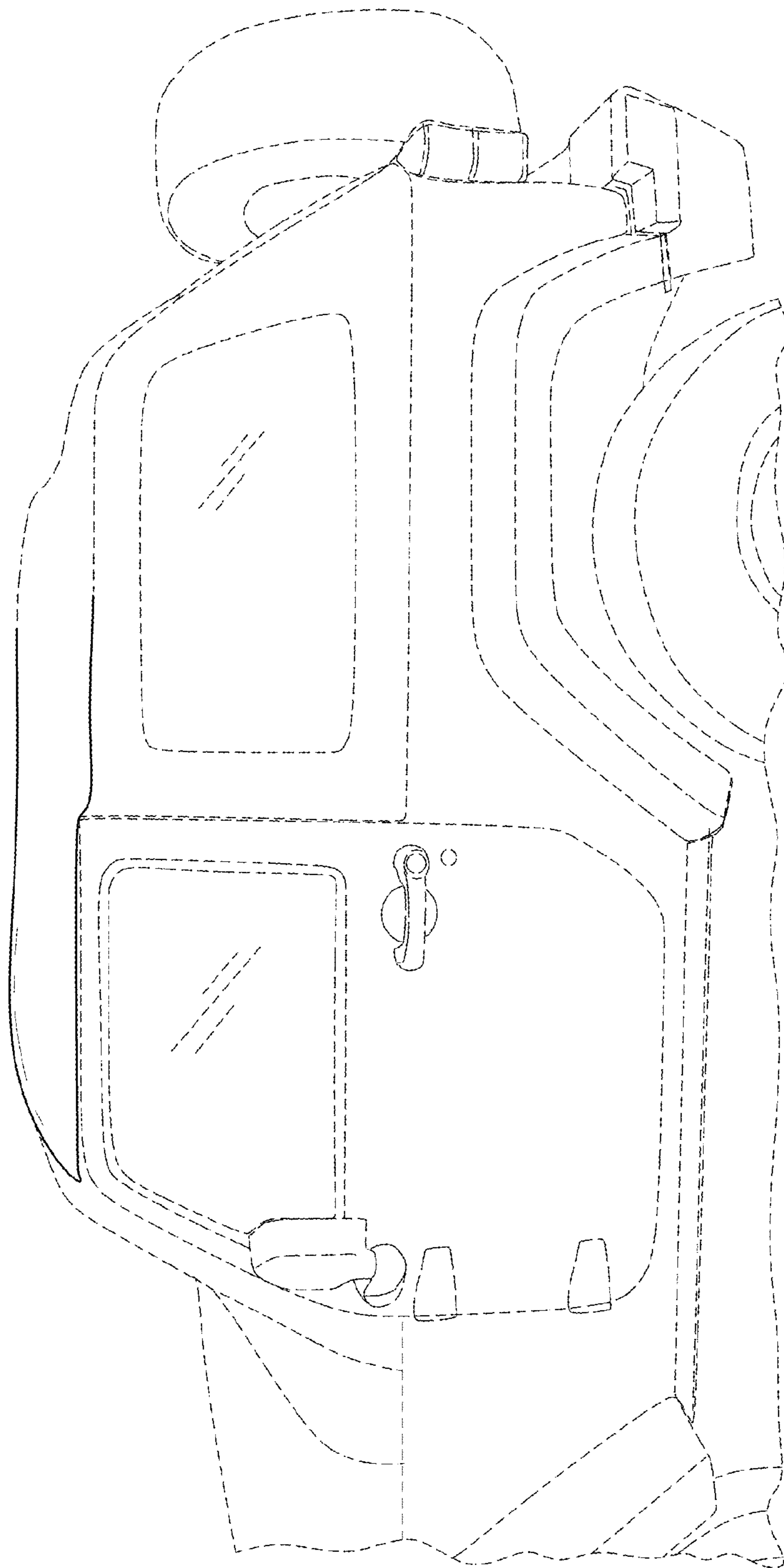


FIG. 12