



US00D756886S

(12) **United States Design Patent**
Lewicki et al.

(10) **Patent No.:** **US D756,886 S**
(45) **Date of Patent:** **** May 24, 2016**

- (54) **SPACECRAFT SYSTEM**
- (71) Applicant: **Planetary Resources Development Corp.**, Redmond, WA (US)
- (72) Inventors: **Chris Lewicki**, Bellevue, WA (US); **Chris Voorhees**, Bellevue, WA (US); **Peter Illsley**, Sammamish, WA (US); **Ray Ramadorai**, Sammamish, WA (US); **Hannah Goldberg**, Seattle, WA (US)
- (73) Assignee: **Planetary Resources Development Corp.**, Redmond, WA (US)
- (**) Term: **14 Years**
- (21) Appl. No.: **29/485,349**
- (22) Filed: **Mar. 18, 2014**
- (51) **LOC (10) Cl.** **12-07**
- (52) **U.S. Cl.**
USPC **D12/319**
- (58) **Field of Classification Search**
USPC 701/3, 13, 14; D12/319-345;
244/158.1-173.3; 342/61, 62
CPC B64G 1/641; B64G 1/1078; B64G 1/286;
B64G 1/402; B64G 1/002; B64G 1/26;
B64G 1/14; B64G 1/22; B64G 1/281; B64G
2004/005
See application file for complete search history.

4,936,528	A *	6/1990	Butner et al.	244/171.7
5,125,601	A *	6/1992	Monford, Jr.	244/173.1
5,169,094	A *	12/1992	Maute et al.	244/158.1
5,511,748	A *	4/1996	Scott	244/172.5
6,017,000	A *	1/2000	Scott	244/158.6
6,082,676	A *	7/2000	Cochran	244/172.3
2002/0190161	A1 *	12/2002	Patel et al.	244/161
2006/0284006	A1 *	12/2006	Chasman et al.	244/52

* cited by examiner

Primary Examiner — Cynthia Ramirez

Assistant Examiner — Gino Colan

(74) *Attorney, Agent, or Firm* — Venable LLP; Steven J. Schwarz

(57) **CLAIM**

The ornamental design for spacecraft system, as shown and described.

DESCRIPTION

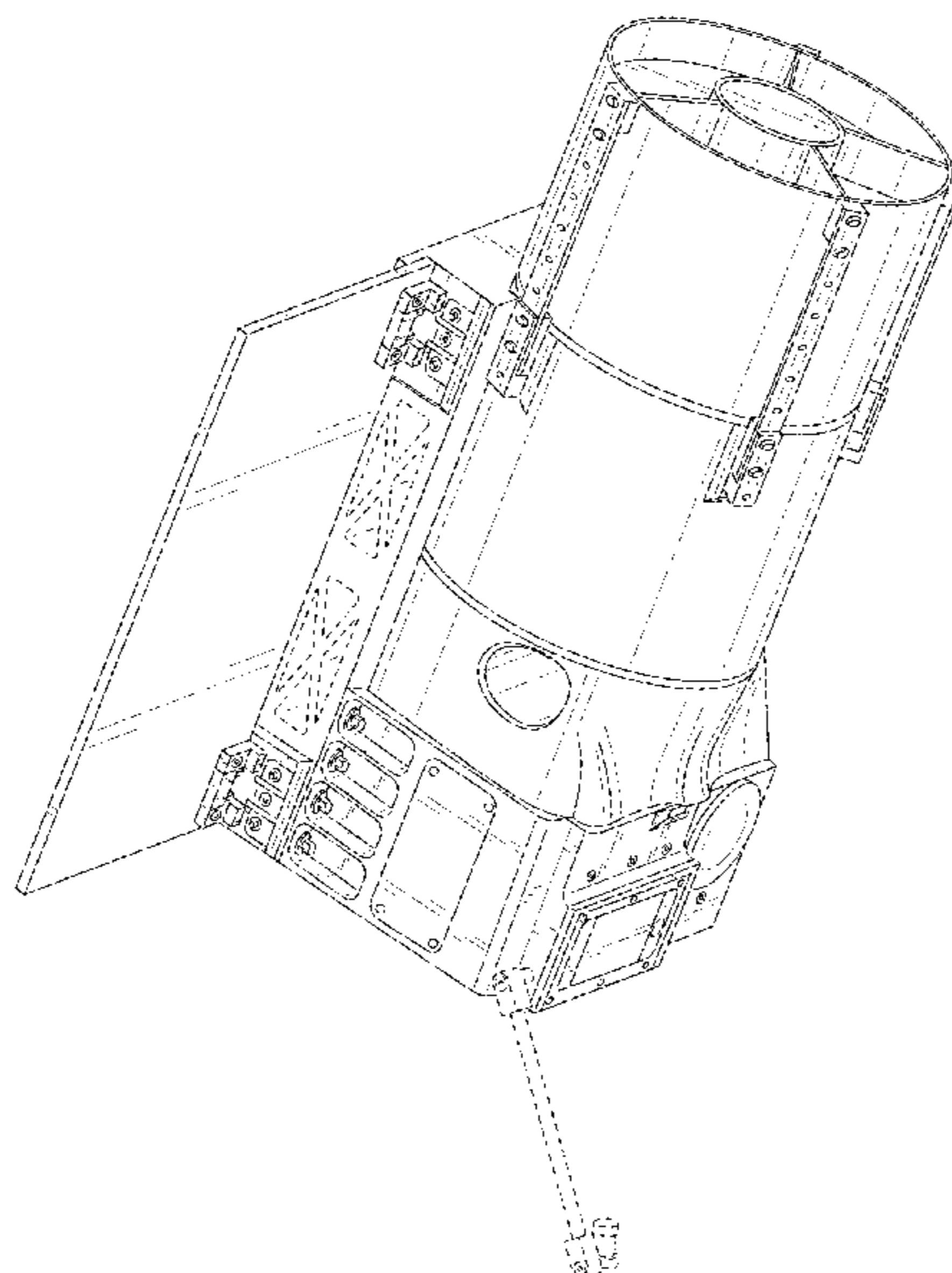
FIG. 1 is a perspective view of a spacecraft system according to an embodiment of the claimed design;
 FIG. 2 is a front elevational view of the spacecraft system of FIG. 1;
 FIG. 3 is a rear view elevational view of the spacecraft system of FIG. 1;
 FIG. 4 is a left elevational view of the spacecraft system of FIG. 1;
 FIG. 5 is a right elevational view of the spacecraft system of FIG. 1;
 FIG. 6 is a top elevational view of the spacecraft system of FIG. 1;
 FIG. 7 is a bottom elevational view of the spacecraft system of FIG. 1; and,
 FIG. 8 is a perspective view of the spacecraft system of FIG. 1, shown docked to a canisterized satellite dispenser.
 The features shown in broken lines are environment only and not part of the claimed design.

1 Claim, 8 Drawing Sheets

(56) **References Cited**

U.S. PATENT DOCUMENTS

3,146,500	A *	9/1964	Volkert	49/49
3,270,985	A *	9/1966	Schmidt	244/165
3,465,482	A *	9/1969	Chandler	52/3
4,664,343	A *	5/1987	Lofts et al.	244/171.1
4,834,325	A *	5/1989	Faget et al.	244/159.4



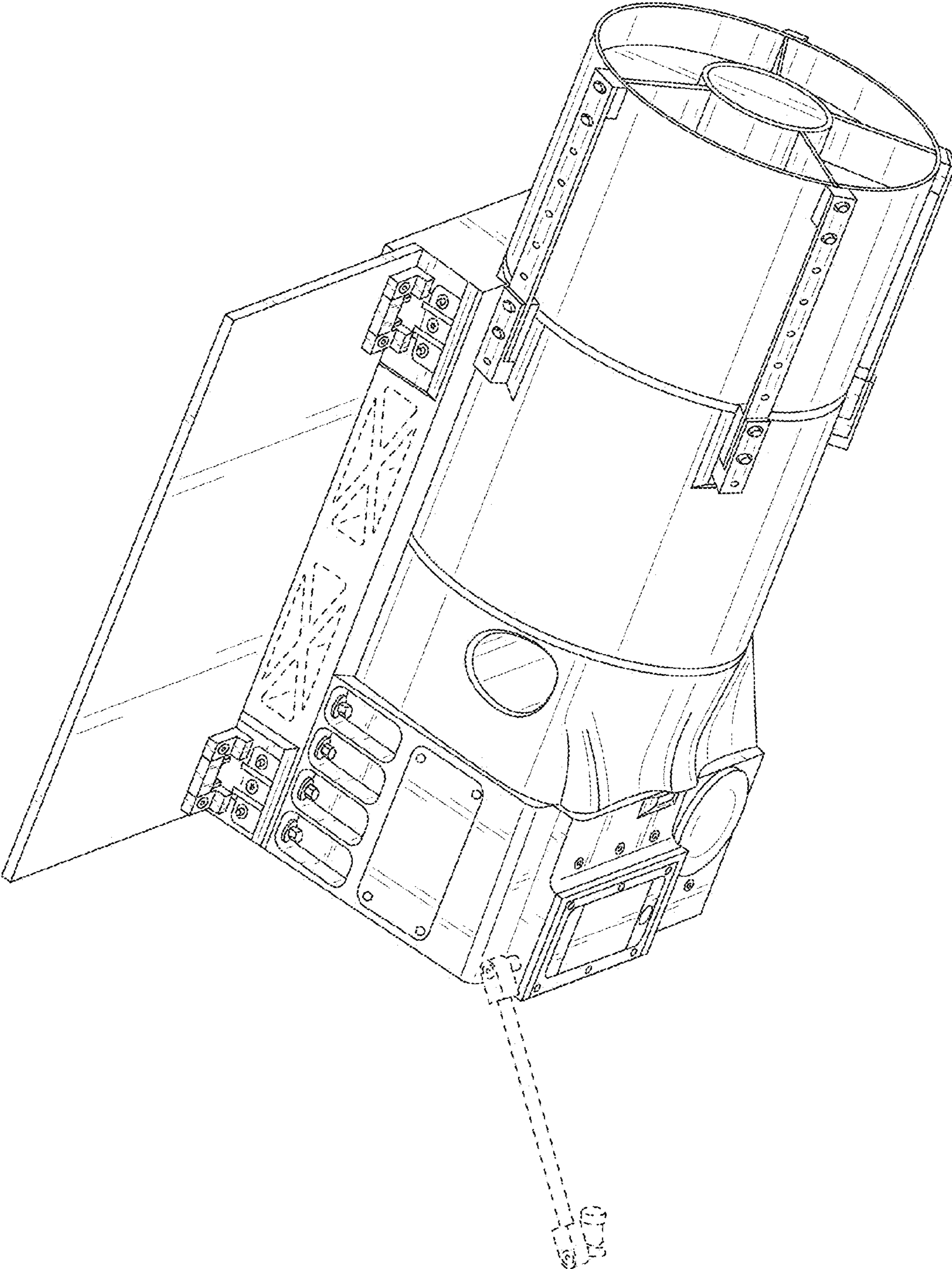


FIG. 1

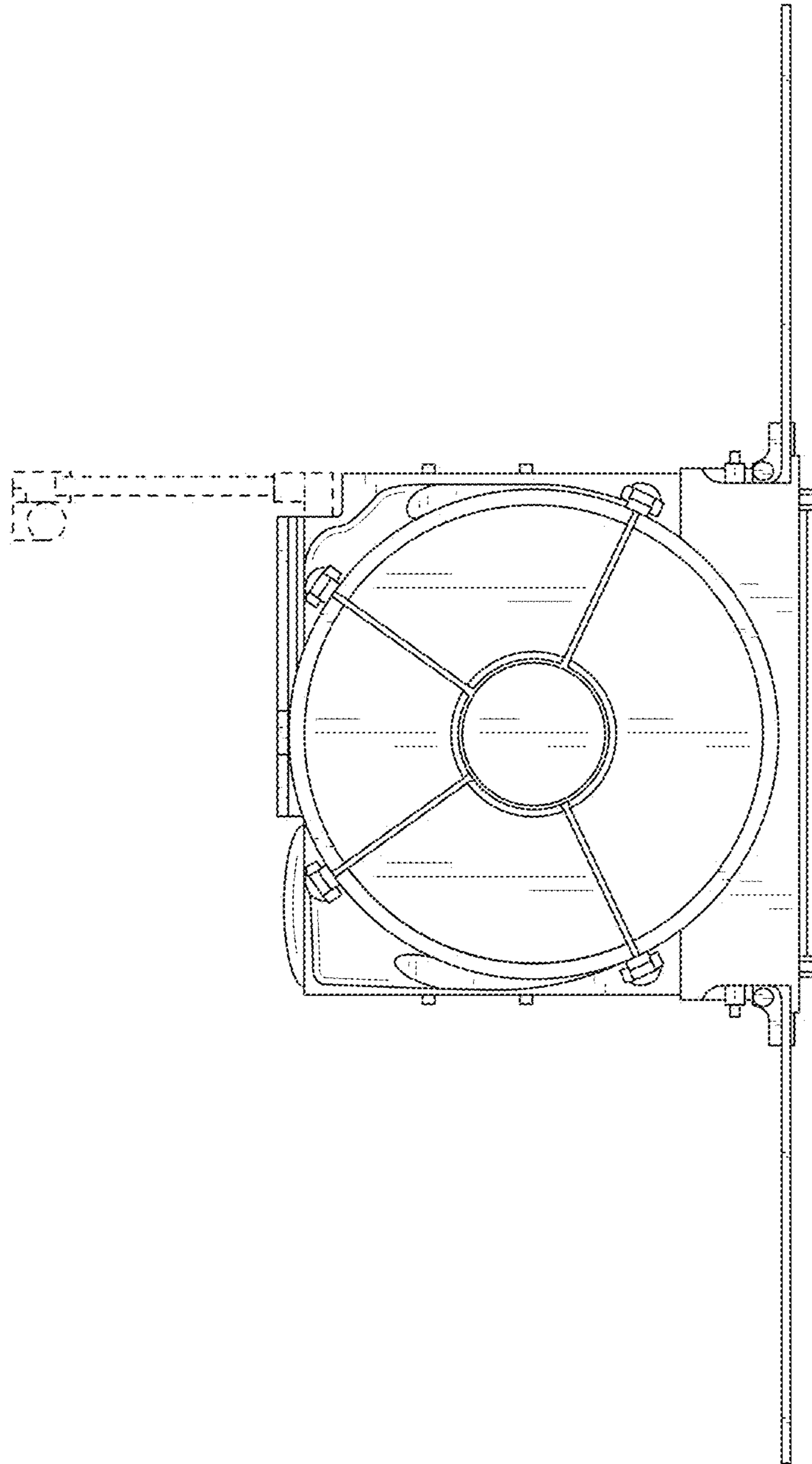


FIG. 2

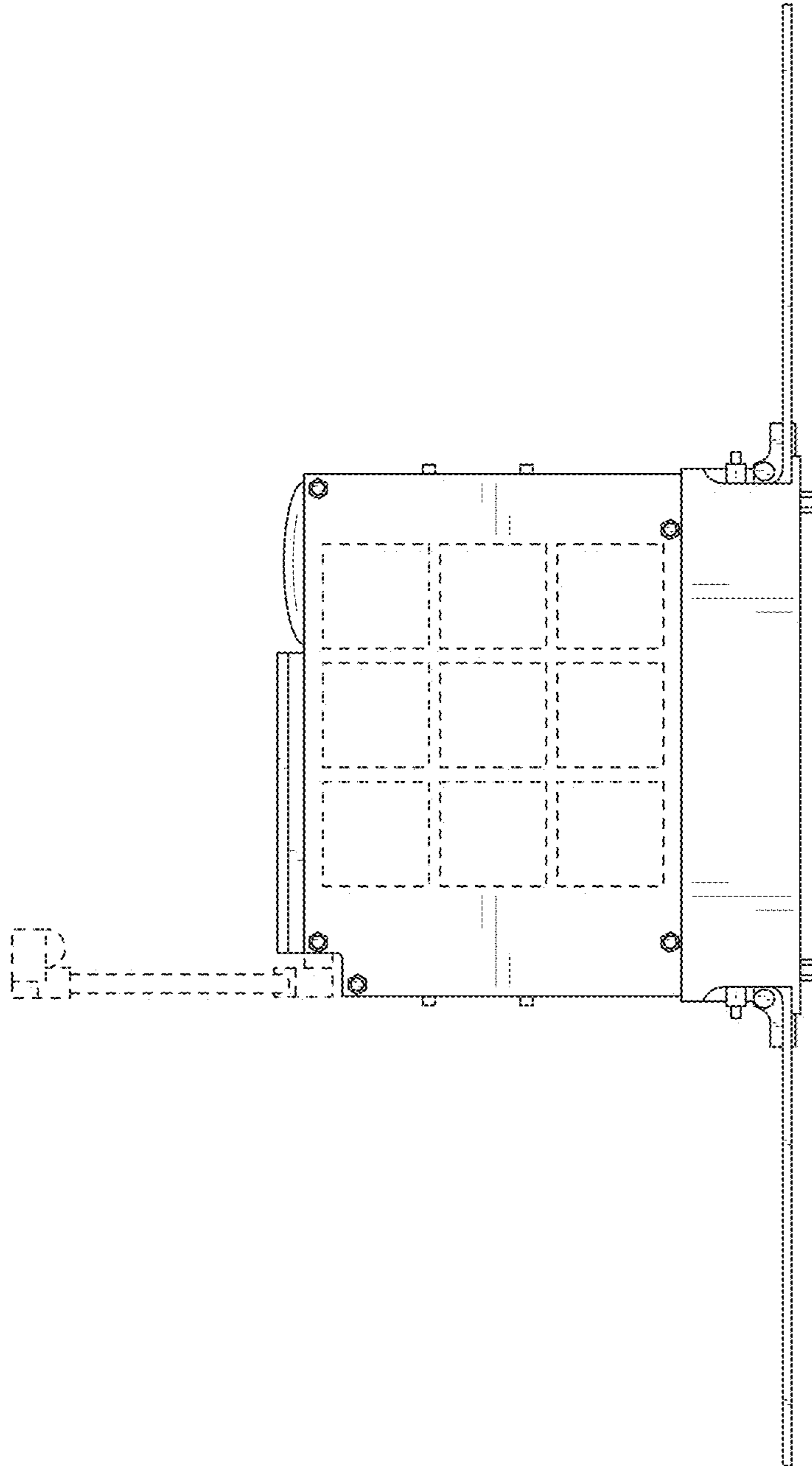


FIG. 3

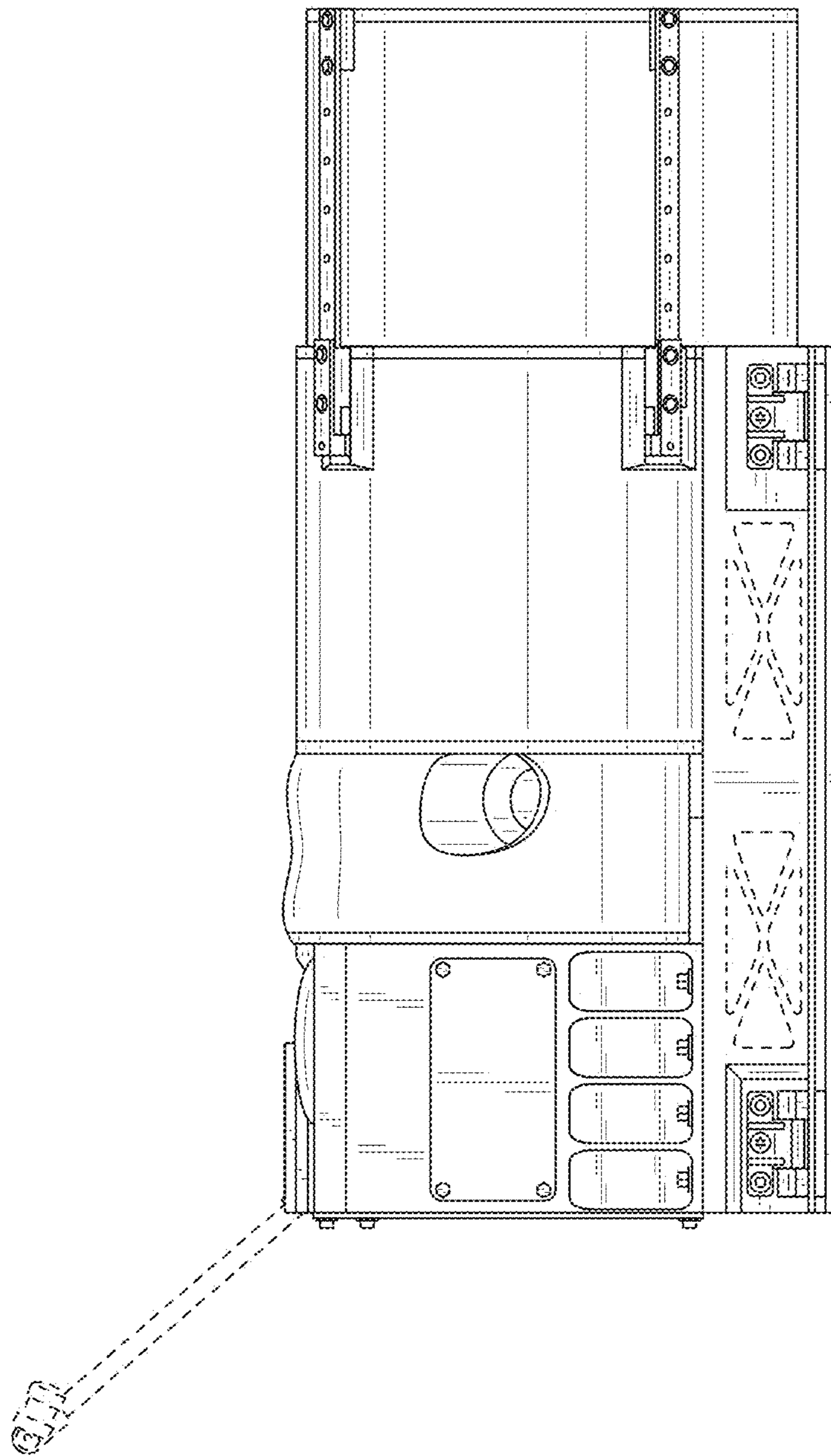


FIG. 4

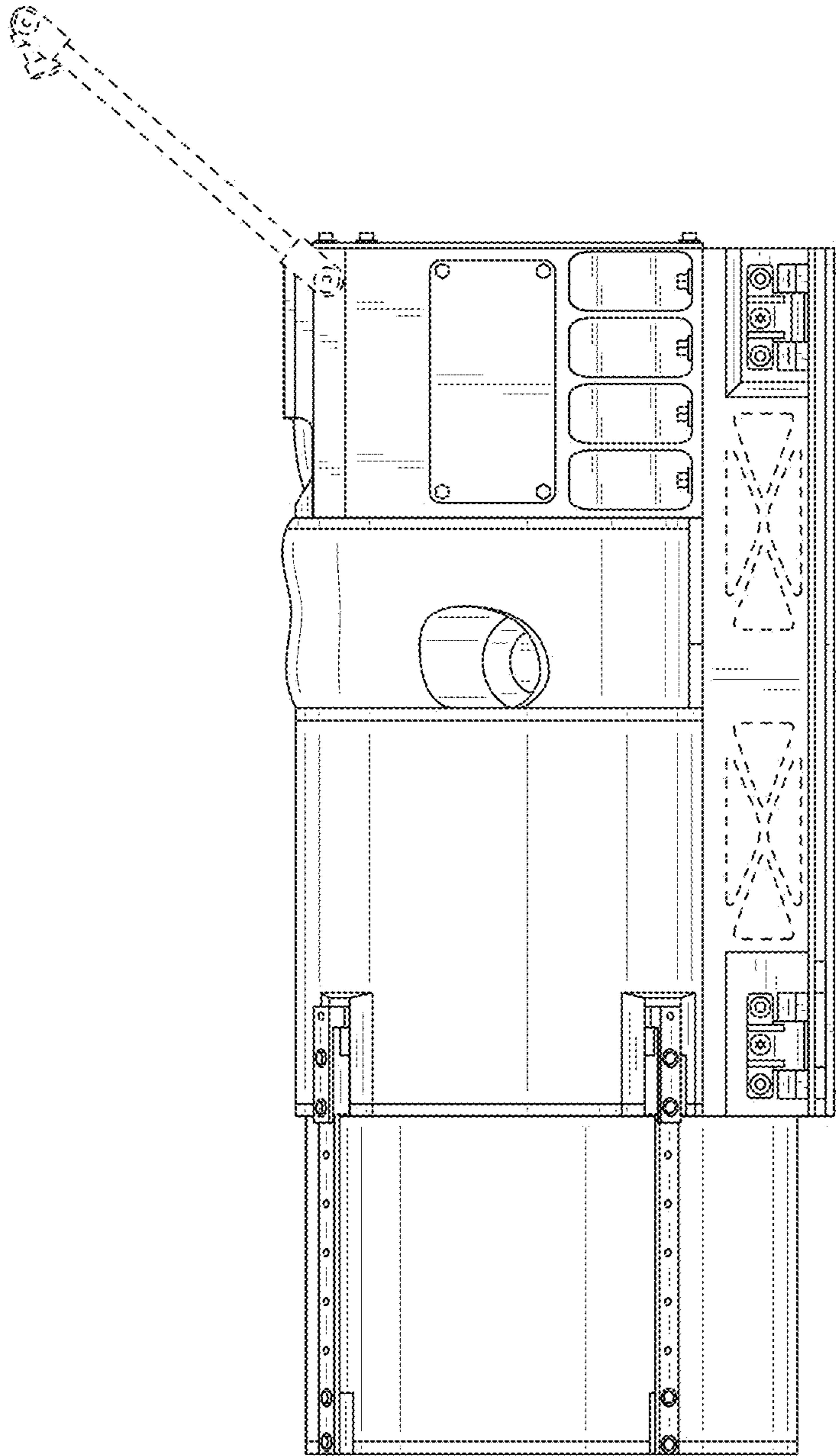


FIG. 5

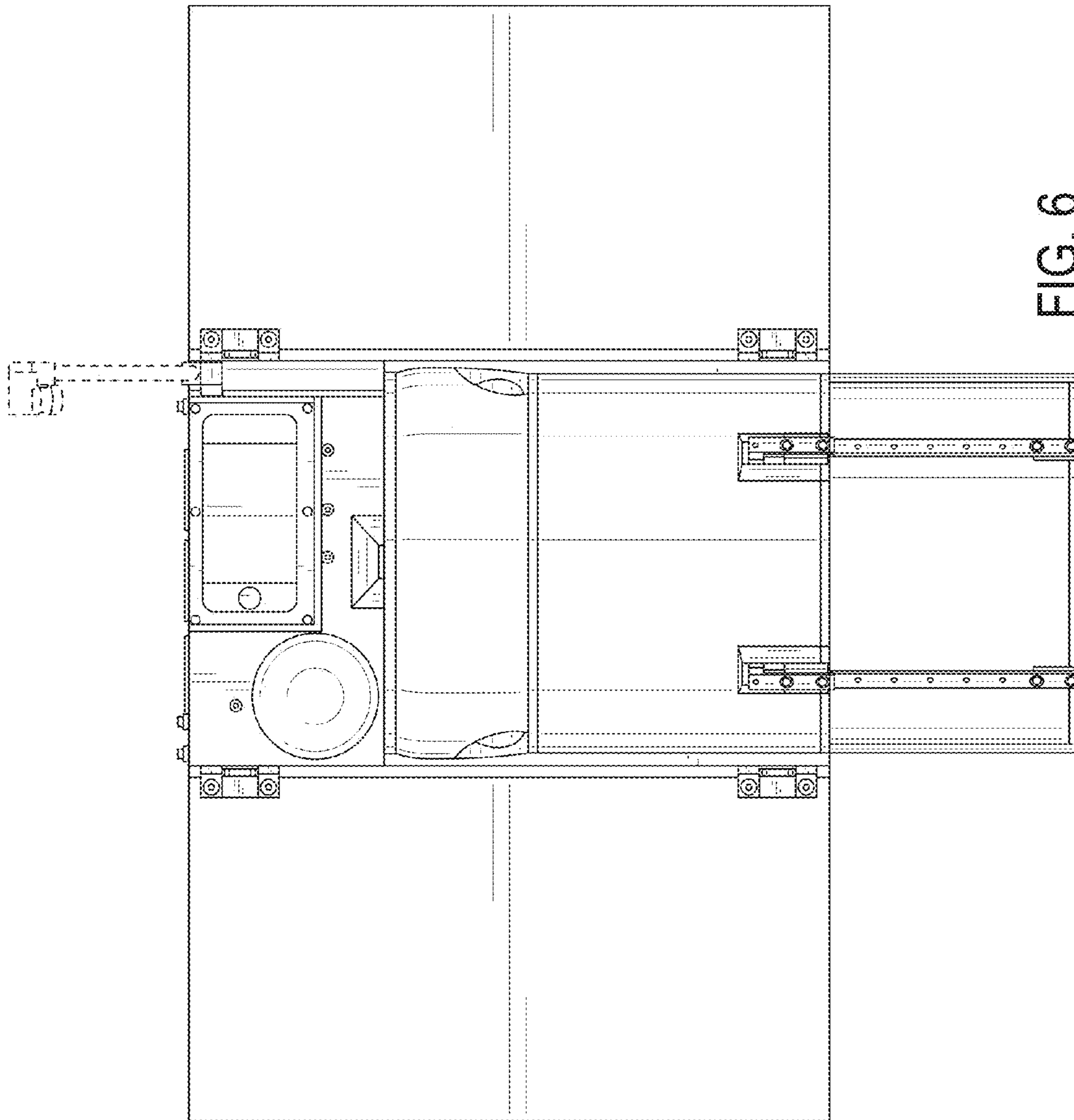


FIG. 6

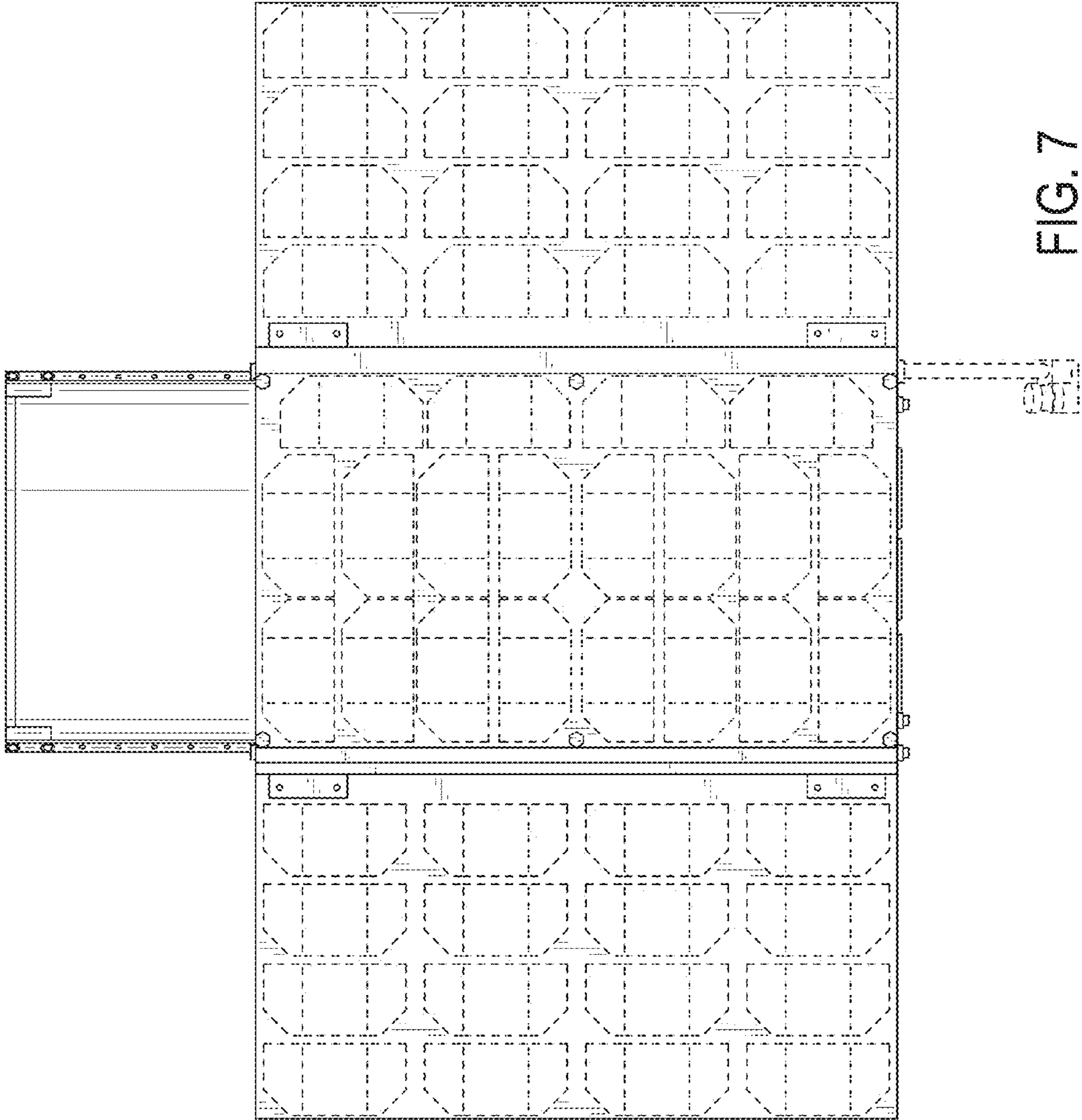


FIG. 7

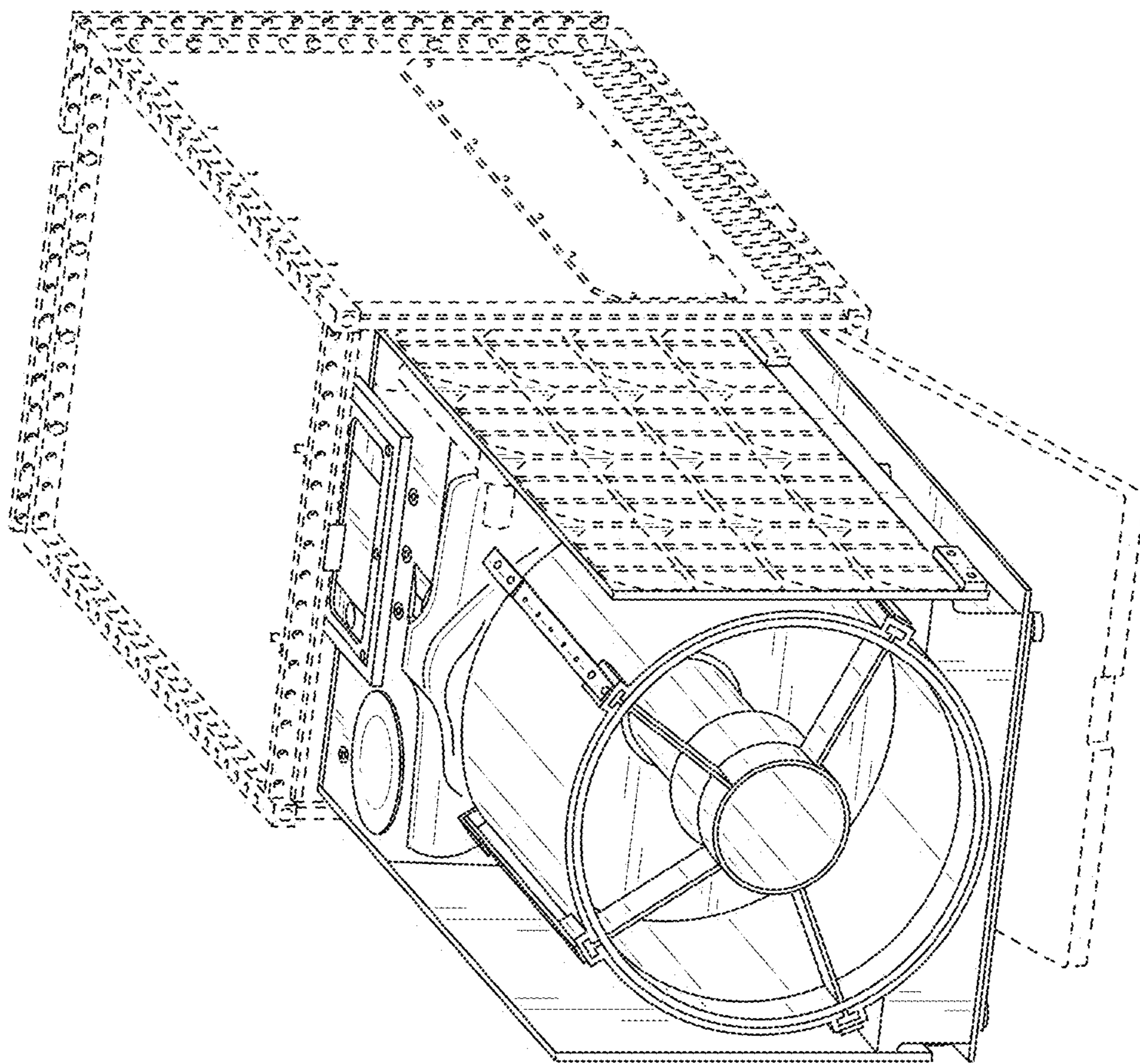


FIG. 8