



US00D756885S

(12) **United States Design Patent**
Krawczyk et al.

(10) **Patent No.:** **US D756,885 S**
(45) **Date of Patent:** **** May 24, 2016**

(54) **WATERCRAFT**

(71) Applicants: **Joanna Krawczyk**, Warsaw (PL);
Daniel Bednarski, Warsaw (PL)

(72) Inventors: **Joanna Krawczyk**, Warsaw (PL);
Daniel Bednarski, Warsaw (PL)

(**) Term: **14 Years**

(21) Appl. No.: **29/487,448**

(22) Filed: **Apr. 8, 2014**

(51) **LOC (10) Cl.** **12-06**

(52) **U.S. Cl.**
USPC **D12/317**

(58) **Field of Classification Search**
USPC D12/300, 302, 303, 304, 307, 310–314,
D12/316, 317; 114/39.11–39.15,
114/39.21–39.32, 61.1, 61.2, 62.22, 61.32,
114/61.33, 62, 355–358, 271, 273,
114/288–291; D21/809
CPC B63B 35/14; B63B 35/28; B63B 35/71;
B63B 35/73; B63B 1/00; B63B 1/10; B63B
1/12
See application file for complete search history.

(56) **References Cited**

U.S. PATENT DOCUMENTS

D138,082 S *	6/1944	Harkins	D12/316
D204,335 S *	4/1966	Cartner	D12/316
D236,604 S *	9/1975	Dransfield	D12/310
4,624,209 A *	11/1986	Loffler	114/354
4,829,926 A *	5/1989	Voelkel	114/61.22
4,856,446 A *	8/1989	Herard	114/61.22

4,968,278 A *	11/1990	Lemke et al.	441/129
D355,633 S *	2/1995	Whitney	D12/316
5,421,757 A *	6/1995	Basiliere	441/39
D525,804 S *	8/2006	Schwartz	D6/393

FOREIGN PATENT DOCUMENTS

EM 002216903-0001 * 9/2013

* cited by examiner

Primary Examiner — Cynthia M Chin

(74) *Attorney, Agent, or Firm* — Myers Wolin, LLC

(57) **CLAIM**

The ornamental design for a watercraft, as shown and described.

DESCRIPTION

FIG. 1 is a front right perspective view with one chair in a raised position and one chair in a lowered position of a watercraft showing our new design;

FIG. 2 is a front right perspective view of thereof with 3 doors in an opened position;

FIG. 3 is a front right perspective view thereof with 3 doors in an opened position;

FIG. 4 is a back right perspective view thereof with 2 doors in an opened position and all chairs in a lowered position;

FIG. 5 is a top plan view of FIG. 3;

FIG. 6 is a bottom plan view thereof;

FIG. 7 is a right side view thereof;

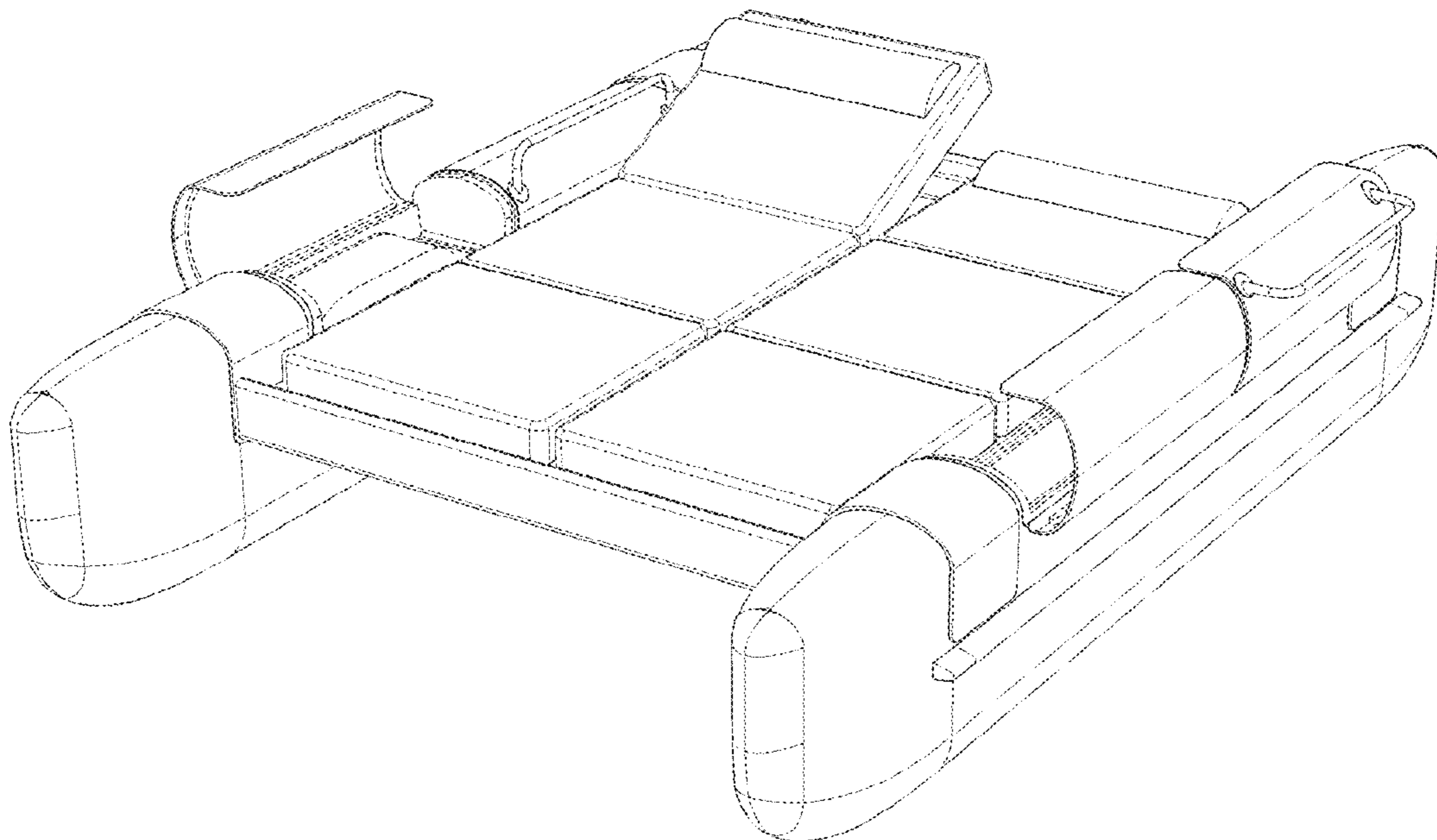
FIG. 8 is a left side view thereof;

FIG. 9 is a front side view thereof; and,

FIG. 10 is a back side view thereof.

Portions of the article shown in broken lines form no part of the claimed design.

1 Claim, 6 Drawing Sheets



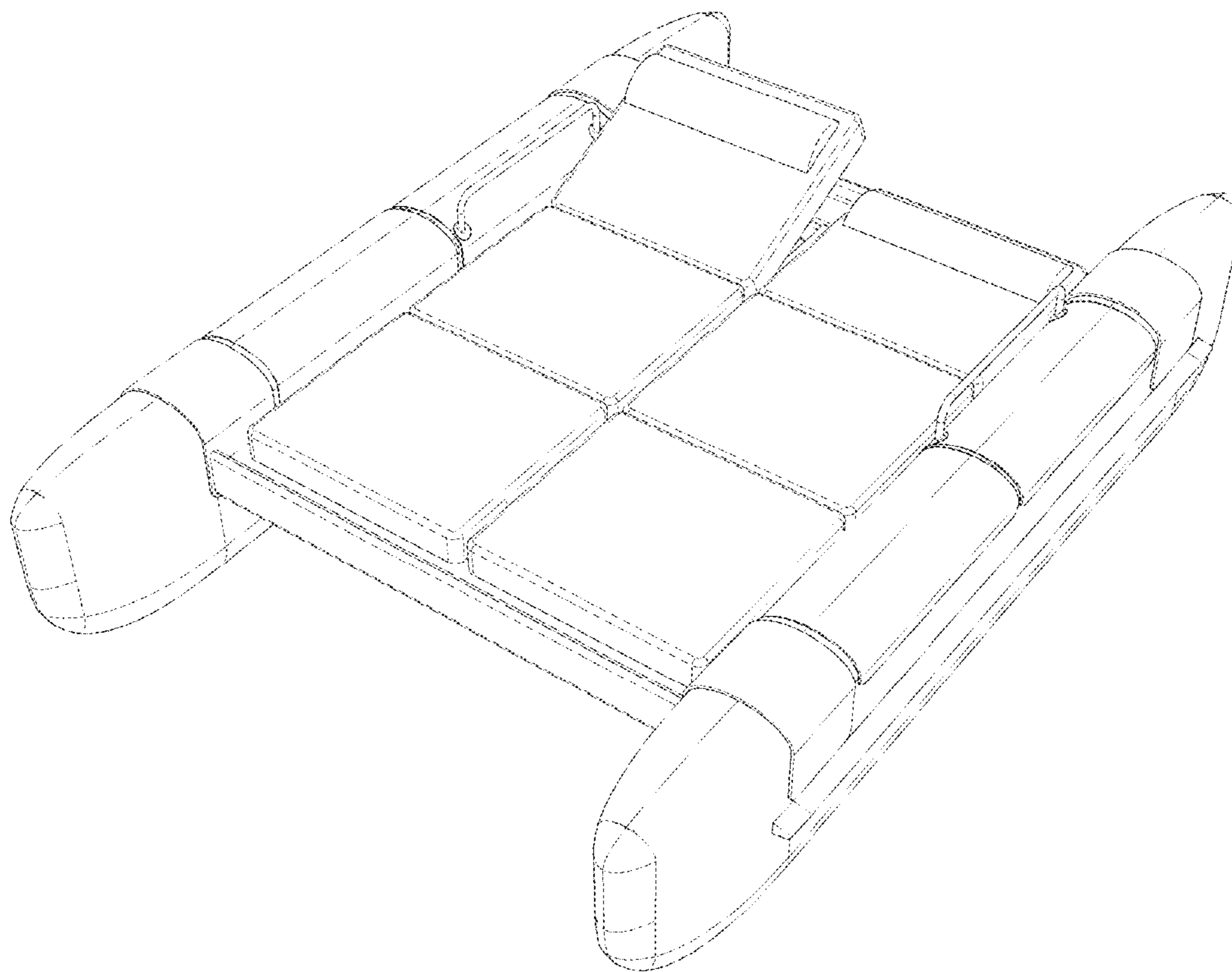


FIG. 1

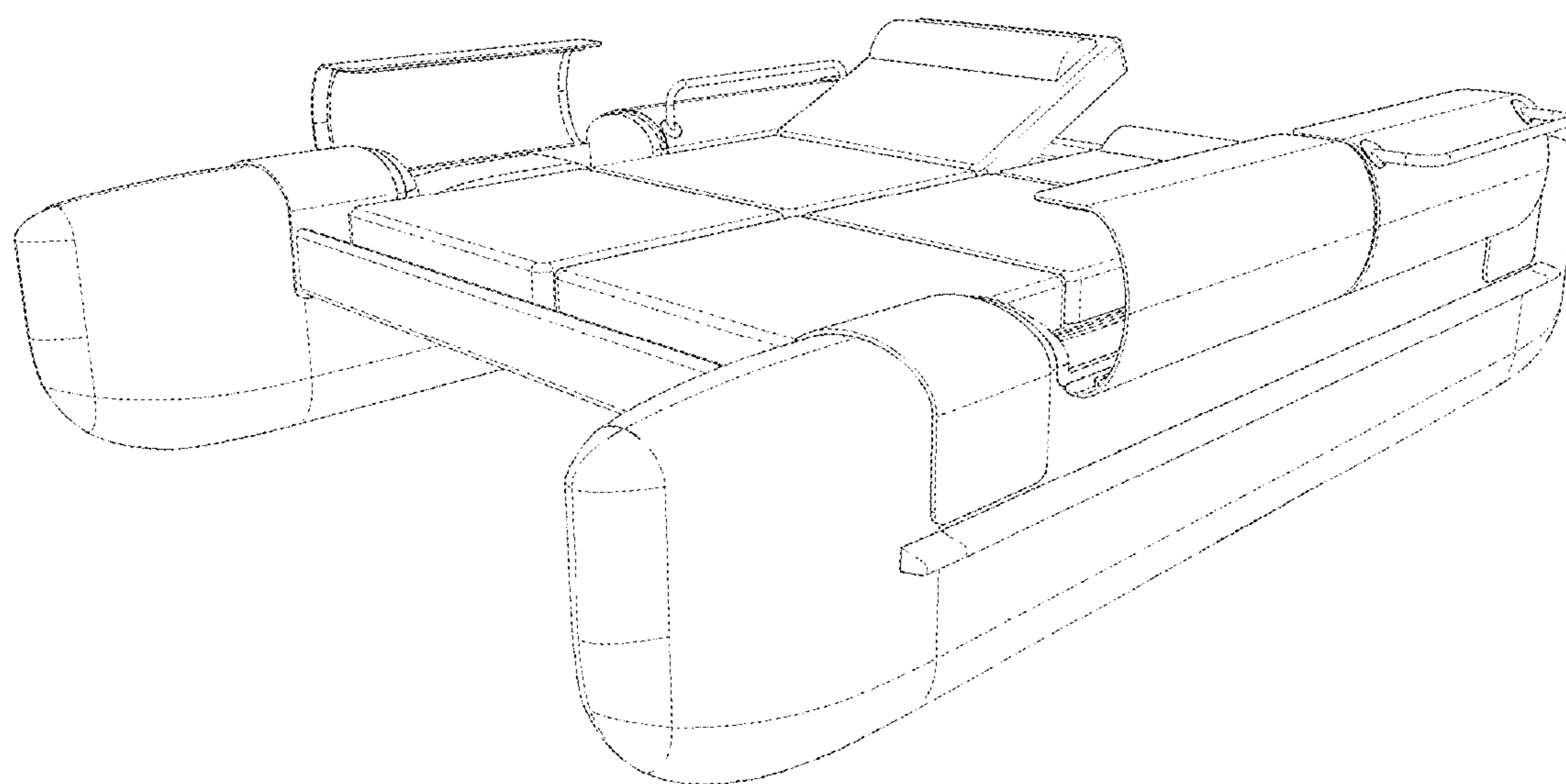


FIG. 2

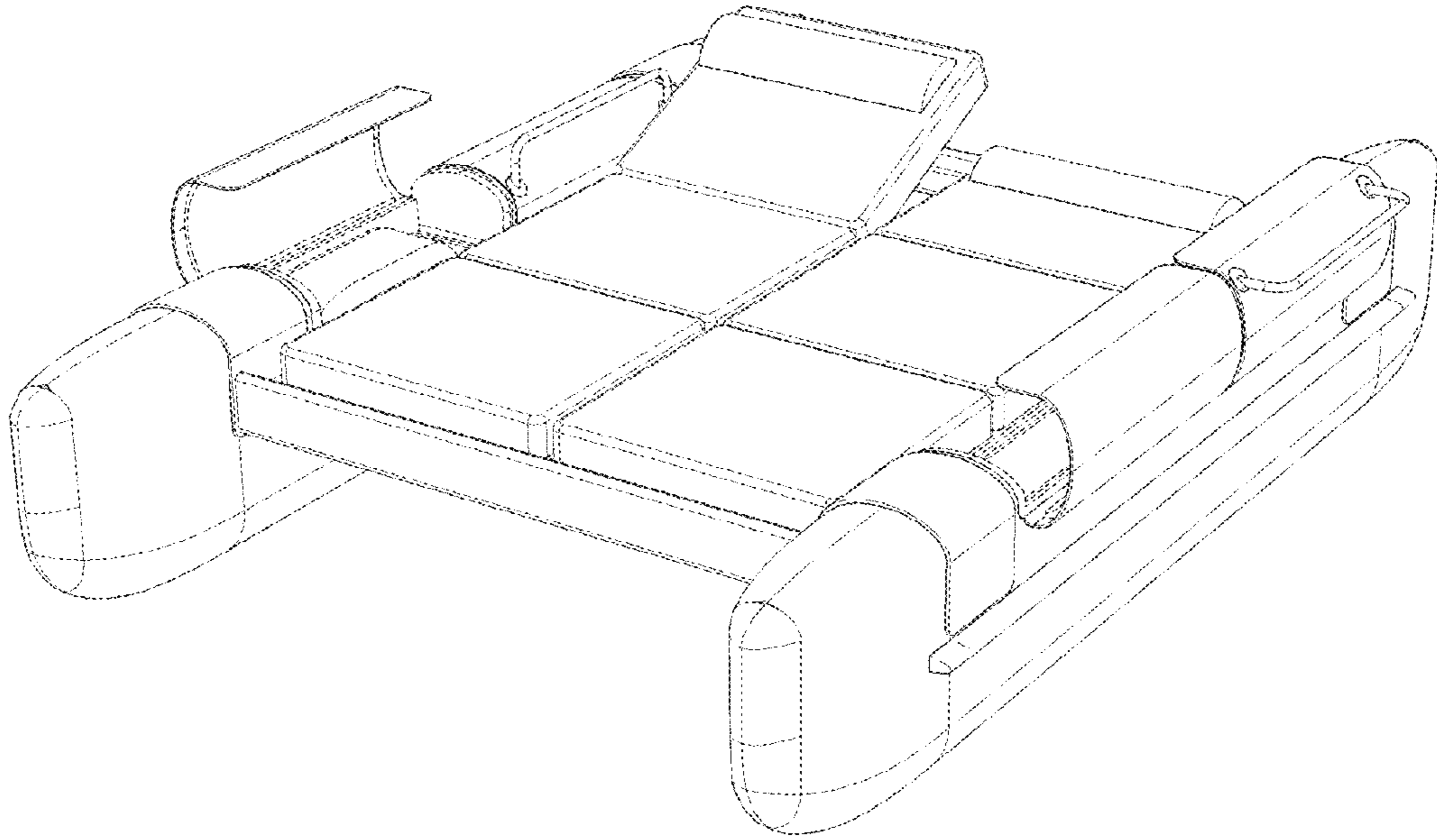


FIG. 3

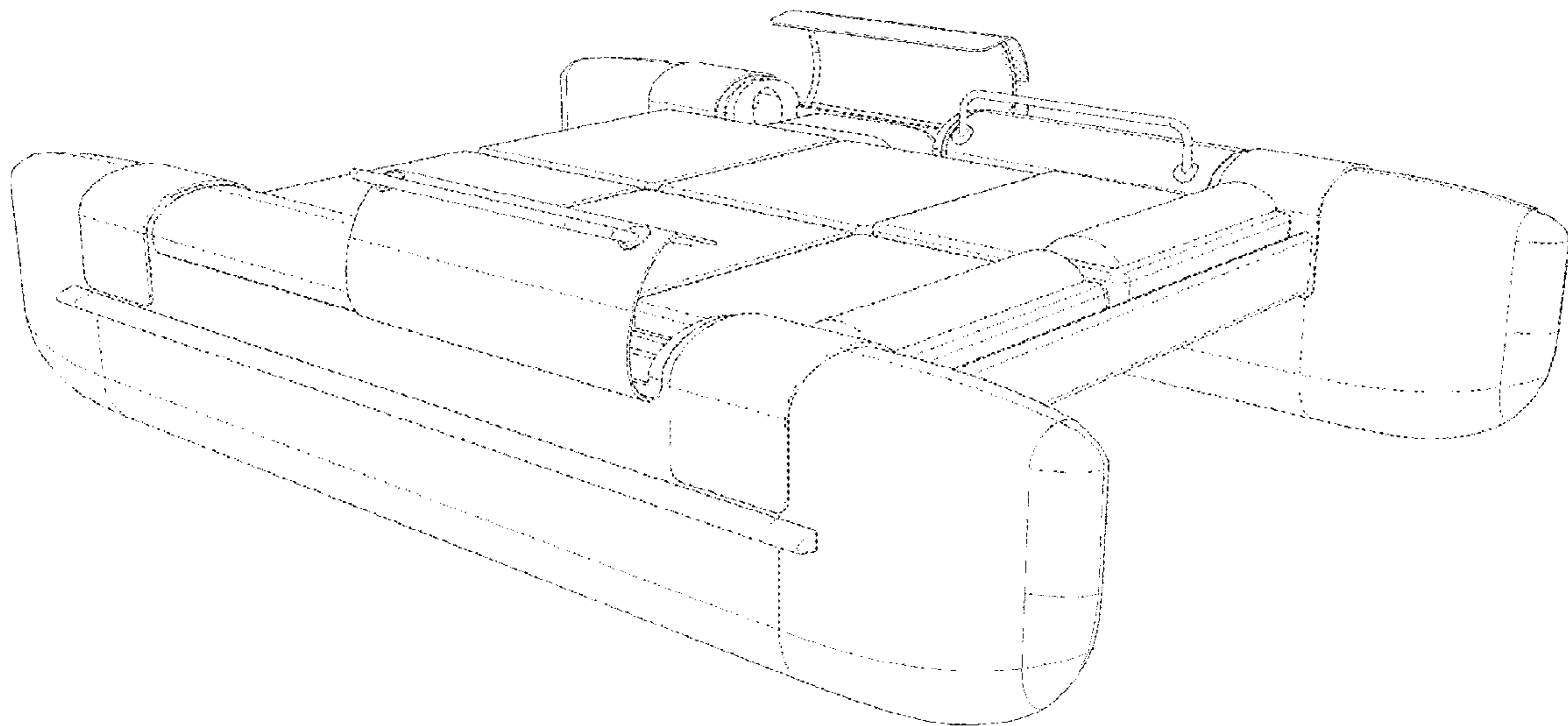


FIG. 4

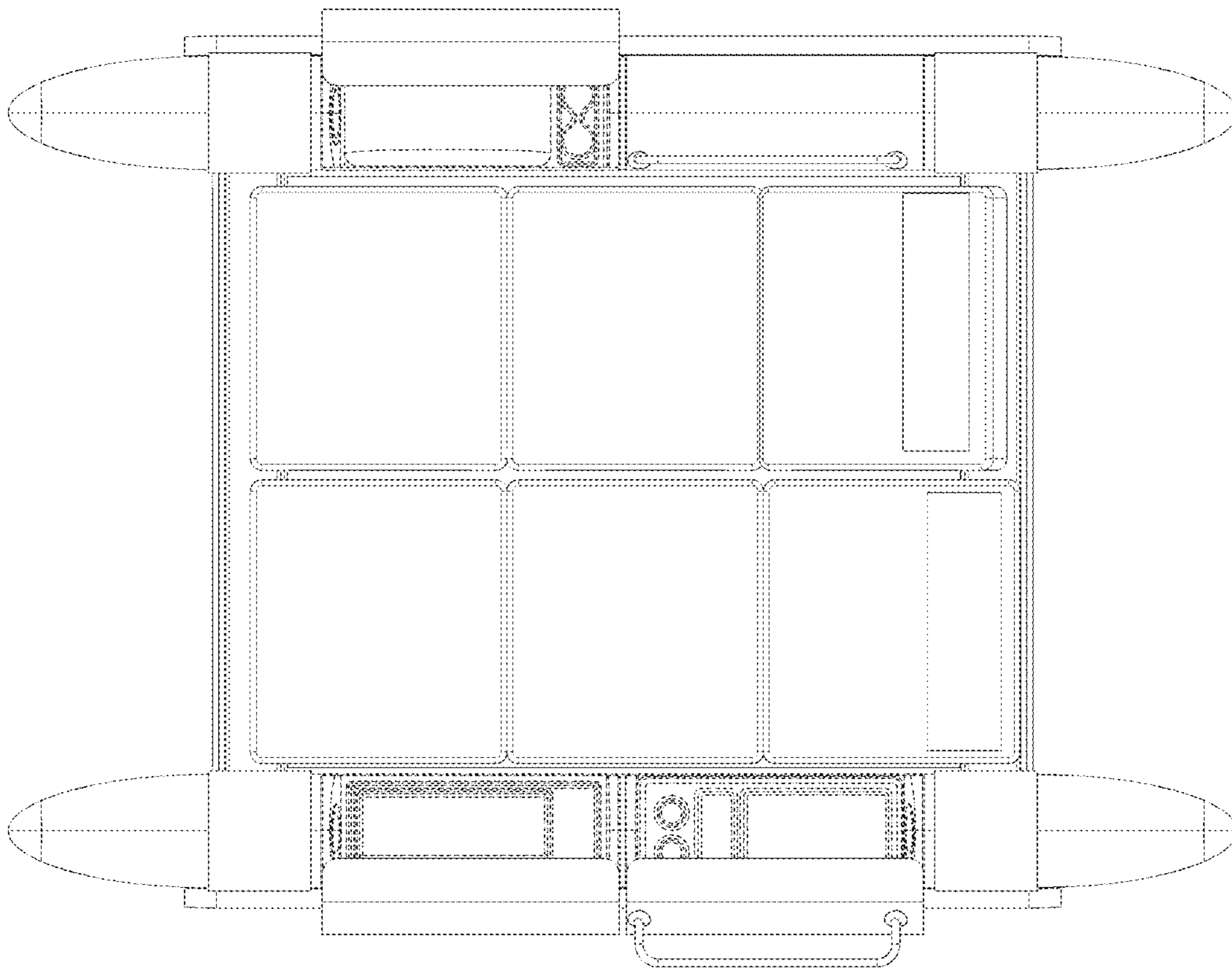


FIG. 5

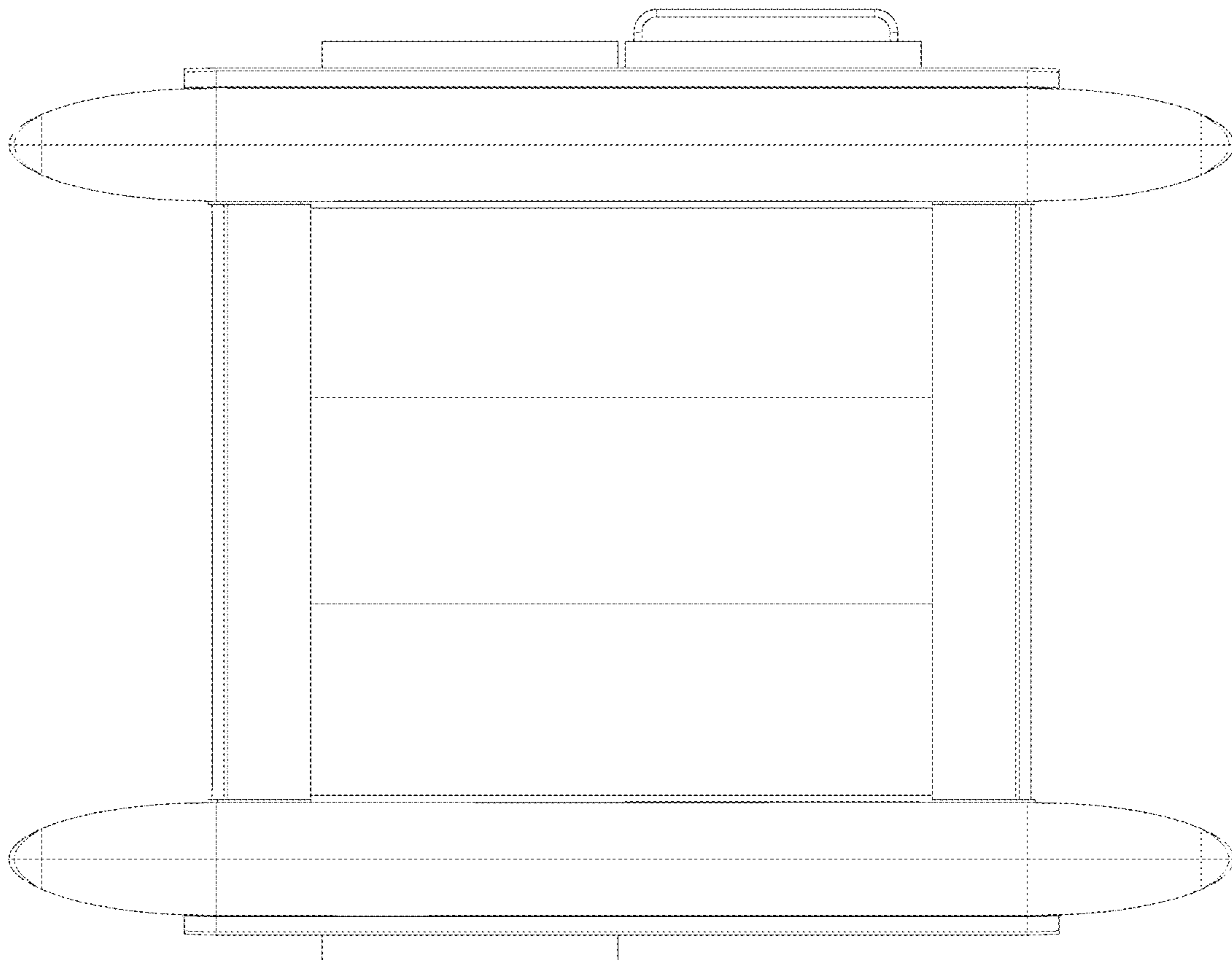


FIG. 6

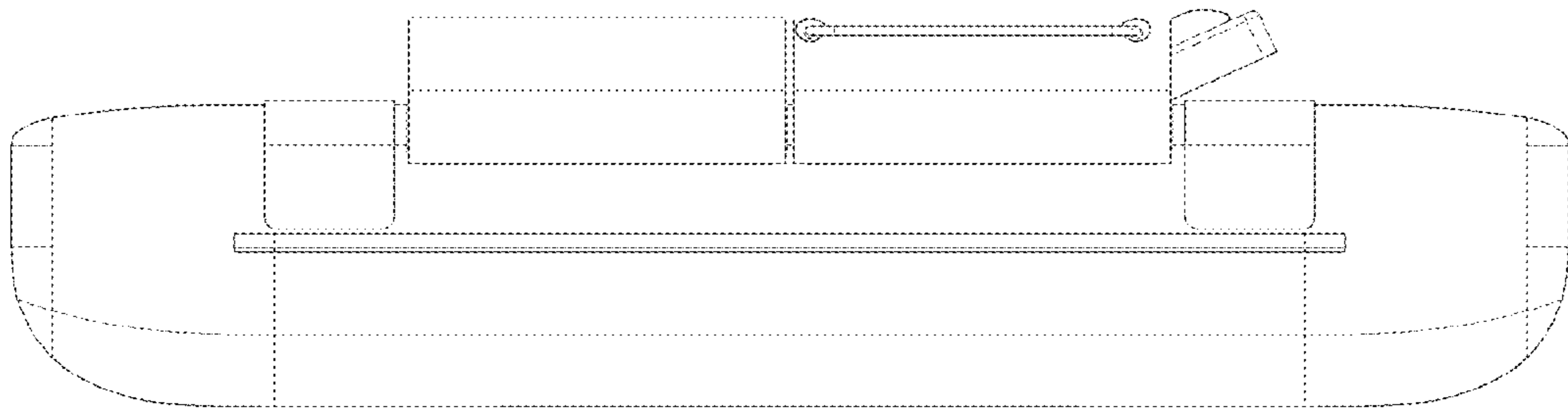


FIG. 7

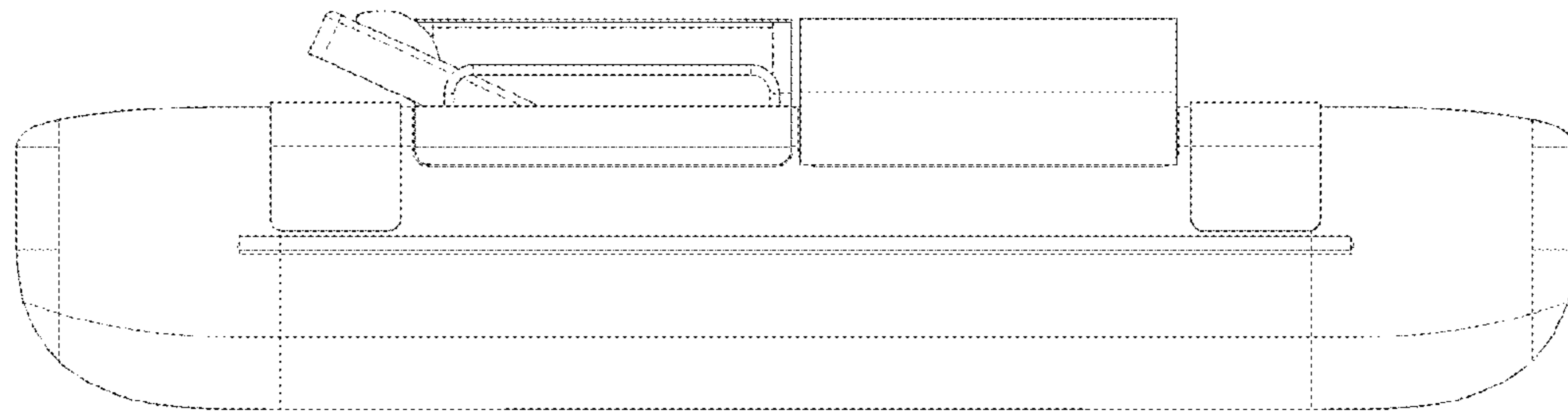


FIG. 8

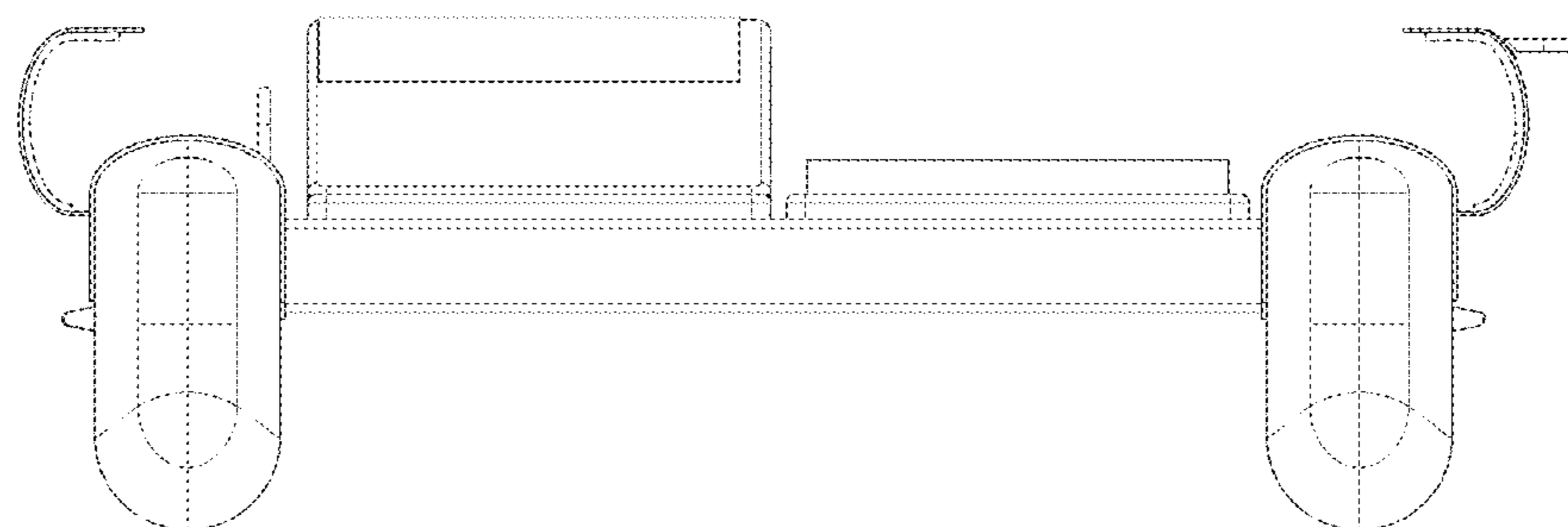


FIG. 9

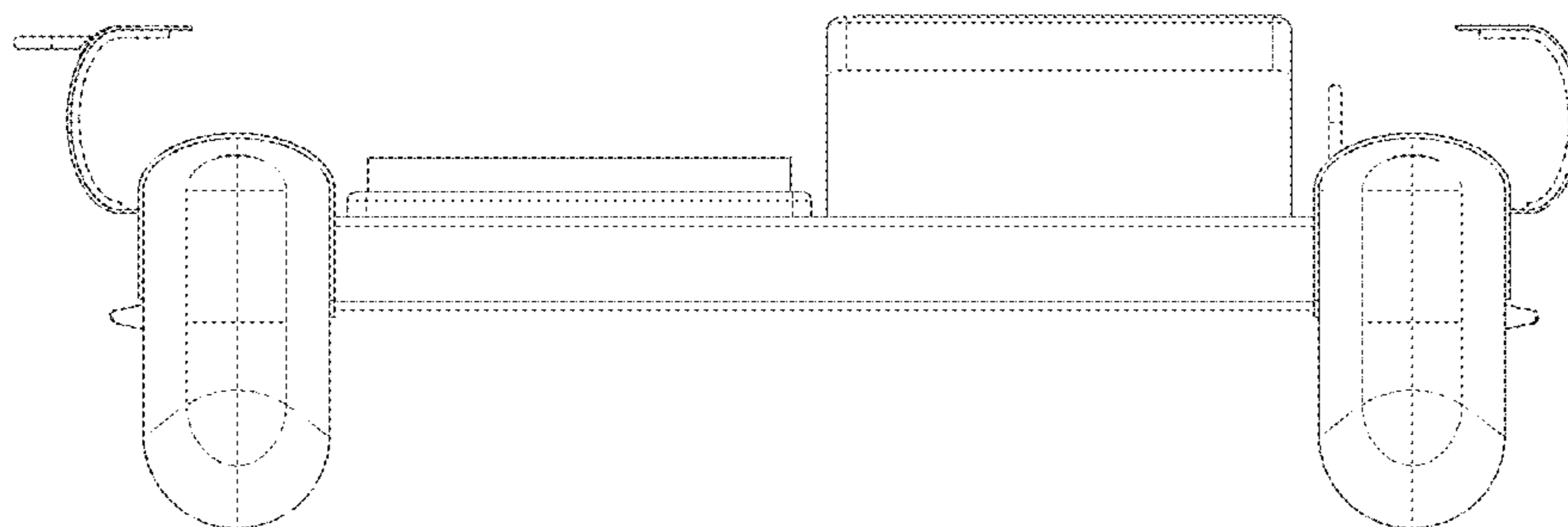


FIG. 10