



US00D756881S

(12) **United States Design Patent**
Zhao

(10) **Patent No.:** **US D756,881 S**

(45) **Date of Patent:** **** *May 24, 2016**

(54) **AUTOMOBILE WHEEL**

(71) Applicant: **WAH HUNG GROUP INC.**, Monterey Park, CA (US)

(72) Inventor: **John Zhao**, Monterey Park, CA (US)

(73) Assignee: **Wah Hung Group Inc.**, Monterey Park, CA (US)

(*) Notice: This patent is subject to a terminal disclaimer.

(**) Term: **14 Years**

(21) Appl. No.: **29/506,494**

(22) Filed: **Oct. 16, 2014**

(51) **LOC (10) Cl.** **12-16**

(52) **U.S. Cl.**

USPC **D12/211**

(58) **Field of Classification Search**

USPC D12/204–213

CPC B60B 7/00; B60B 7/02; B60B 7/04; B60B 7/01; B60B 7/06; B60B 3/02; B60B 3/04; B60B 3/06; B60B 3/10; B60B 1/00; B60B 1/08; B60B 1/10; B60B 1/12

See application file for complete search history.

(56) **References Cited**

U.S. PATENT DOCUMENTS

D615,917 S * 5/2010 Zhao D12/211
D617,250 S * 6/2010 Zhao D12/211
D617,718 S * 6/2010 Zhao D12/211

D620,874 S * 8/2010 Zhao D12/211
D637,947 S * 5/2011 Zhao D12/211
D643,794 S * 8/2011 Elmitt D12/211
D657,299 S * 4/2012 Lee D12/211
D680,487 S * 4/2013 Zhao D12/211
D681,541 S * 5/2013 Kern D12/211
D683,687 S * 6/2013 Alfonso D12/211
D685,310 S * 7/2013 Alfonso D12/211
D685,311 S * 7/2013 Alfonso D12/211
D688,189 S * 8/2013 Alfonso D12/211
D702,613 S * 4/2014 Scheinhutte D12/211
D706,698 S * 6/2014 Zhao D12/211
D725,019 S * 3/2015 Kim D12/211

OTHER PUBLICATIONS

Search Results for IN/ernie and IN/alfonso on Dec. 21, 2014.
Search results at IN/john and TTL/wheel and IN/zhaoh on Dec. 19, 2014.

* cited by examiner

Primary Examiner — Stacia Cadmus

(74) *Attorney, Agent, or Firm* — Payam Moradian

(57) **CLAIM**

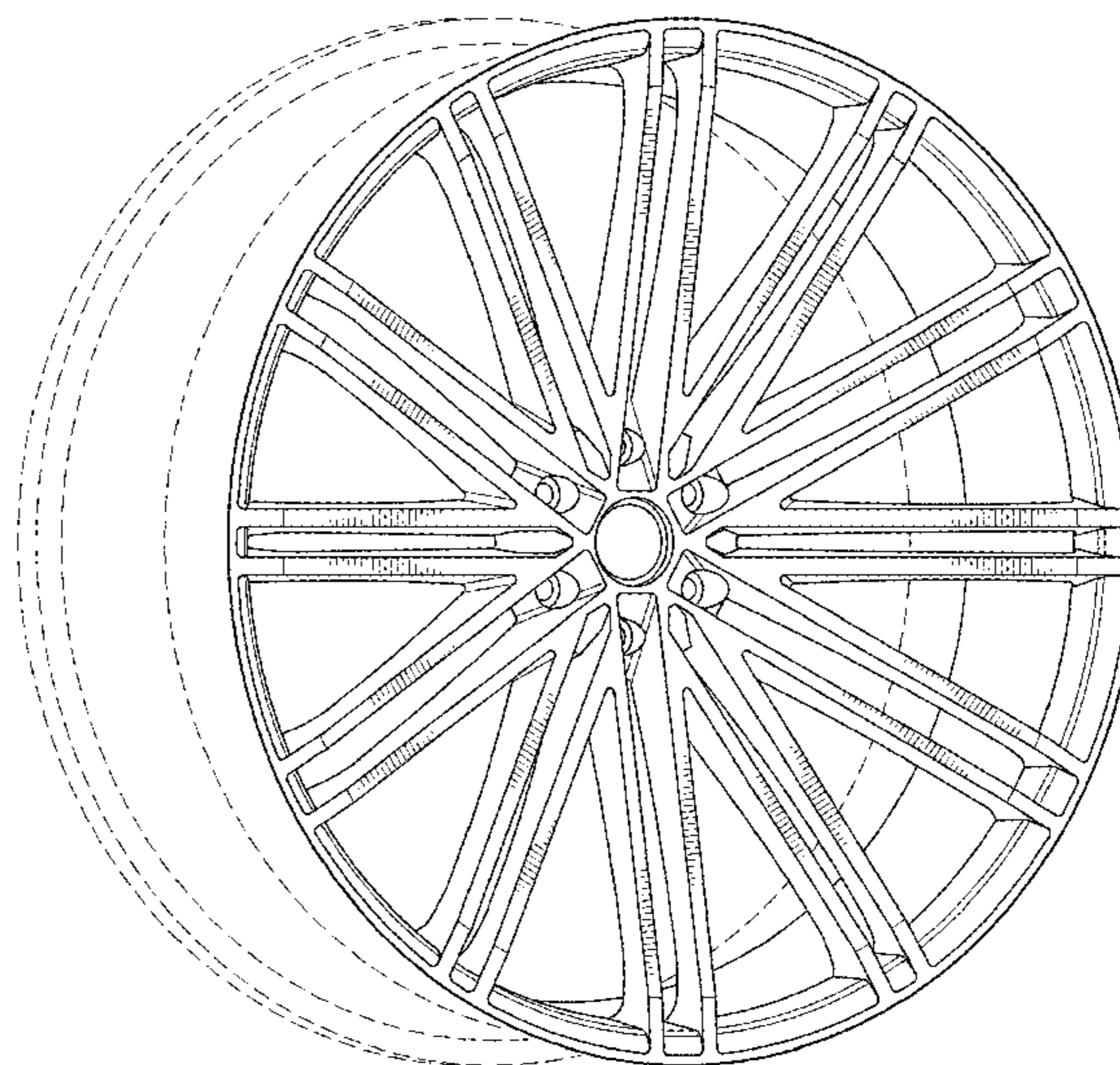
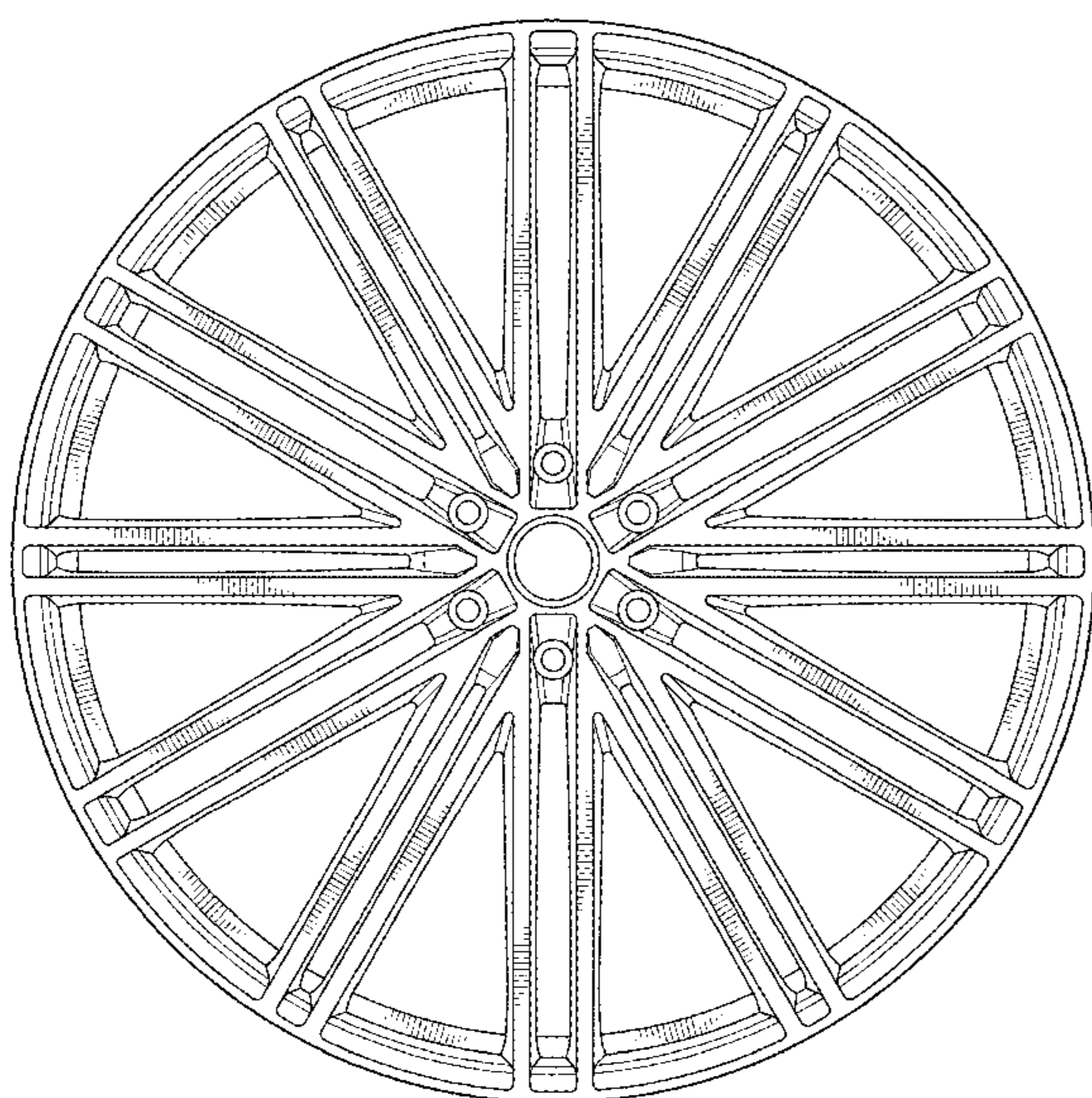
I claim the ornamental design for an automobile wheel, as shown and described.

DESCRIPTION

FIG. 1 is a front elevational view of an automobile wheel; and, FIG. 2 is a perspective view thereof.

The broken line showing of the rear portion of the rim is included for the purpose of illustrating environment and forms no part of the claimed design.

1 Claim, 2 Drawing Sheets



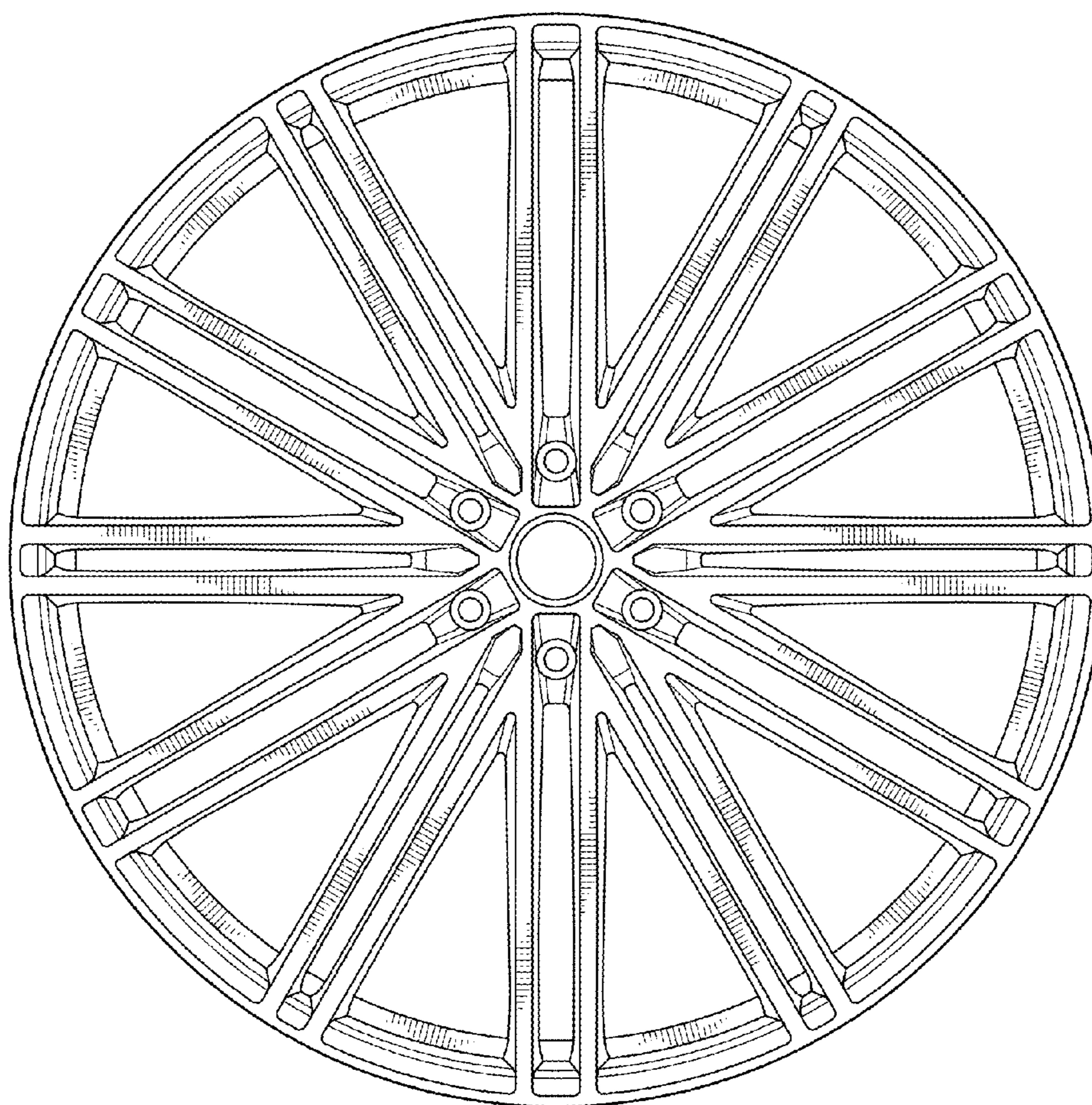


FIG. 1

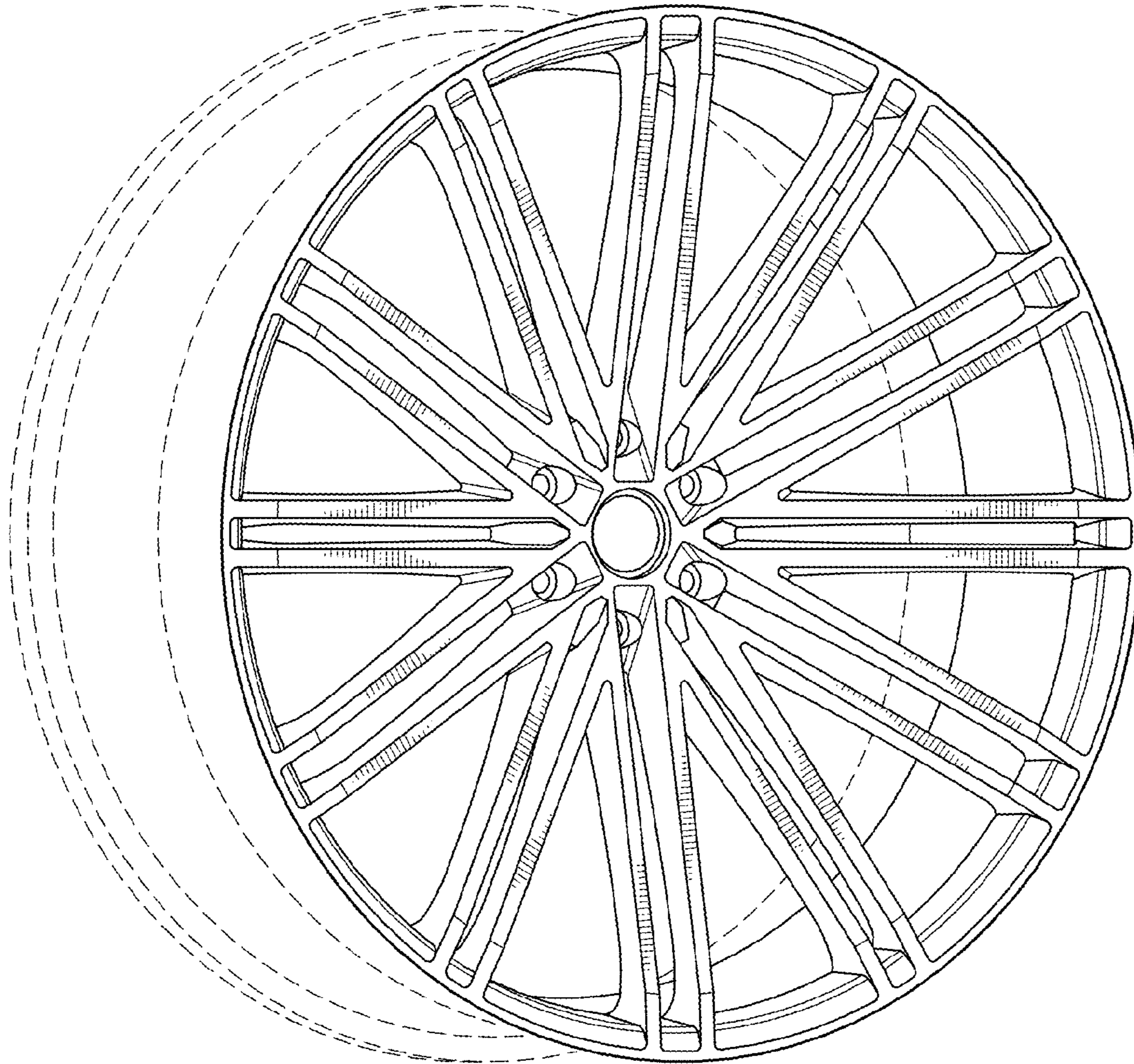


FIG. 2