



US00D756880S

(12) **United States Design Patent**
Zhao

(10) **Patent No.:** **US D756,880 S**

(45) **Date of Patent:** **** May 24, 2016**

(54) **AUTOMOBILE WHEEL**

(71) Applicant: **WAH HUNG GROUP INC.**, Monterey Park, CA (US)

(72) Inventor: **John Zhao**, Monterey Park, CA (US)

(73) Assignee: **Wah Hung Group Inc.**, Monterey Park, CA (US)

(**) Term: **14 Years**

(21) Appl. No.: **29/506,025**

(22) Filed: **Oct. 12, 2014**

(51) **LOC (10) Cl.** **12-16**

(52) **U.S. Cl.**
USPC **D12/211**

(58) **Field of Classification Search**
USPC D12/204-213; 301/37.101, 64.101, 65
See application file for complete search history.

D710,780 S * 8/2014 Borkert D12/211
D718,206 S * 11/2014 Song D12/211
D721,028 S * 1/2015 Lemke D12/211
D726,626 S * 4/2015 Mays D12/211
D731,389 S * 6/2015 Gotschke D12/211

OTHER PUBLICATIONS

Search Results for IN/emie and IN/alfonso on uspto.gov on Dec. 21, 2014.

Search results of IN/john and TTL/wheel and IN/zhao on Dec. 19, 2014 on uspto.gov.

* cited by examiner

Primary Examiner — Garth Rademaker

Assistant Examiner — Samantha Q Lawrence

(74) *Attorney, Agent, or Firm* — Payam Moradian

(57) **CLAIM**

I claim the ornamental design for an automobile wheel, as shown and described.

(56) **References Cited**

U.S. PATENT DOCUMENTS

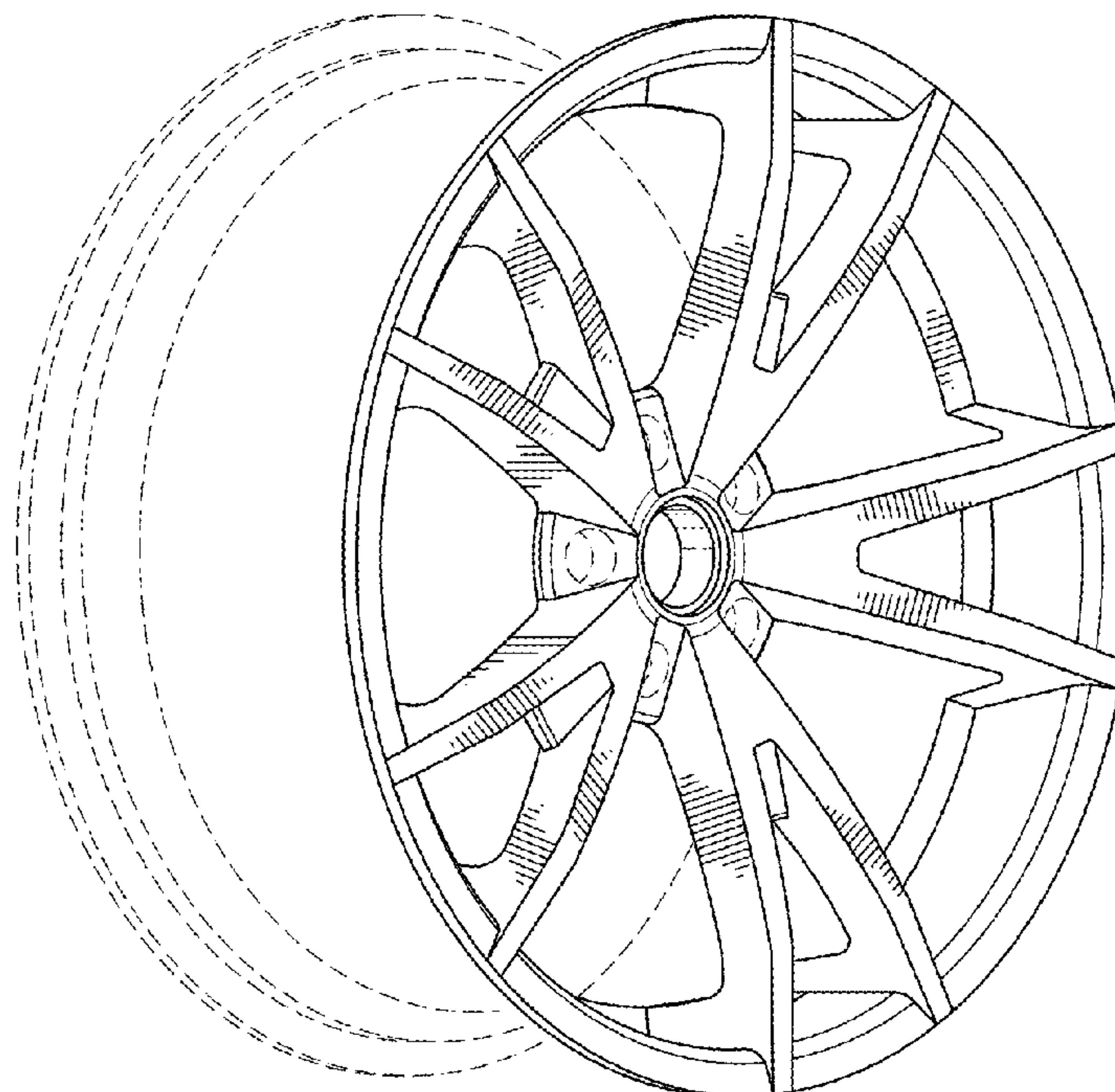
D513,487 S * 1/2006 Wachtler D12/209
D589,428 S * 3/2009 Scheu D12/211
D625,235 S * 10/2010 Nissl D12/209
D649,102 S * 11/2011 Gallert D12/211
D651,961 S * 1/2012 Ectors D12/211
D663,668 S * 7/2012 Pollmann D12/209
D682,768 S * 5/2013 Hale D12/211

DESCRIPTION

FIG. 1 is a front elevational view of an automobile wheel; and, FIG. 2 is a perspective view thereof.

The broken lines shown in FIG. 1 and FIG. 2 illustrate portions of the automobile wheel that form no part of the claimed design.

1 Claim, 2 Drawing Sheets



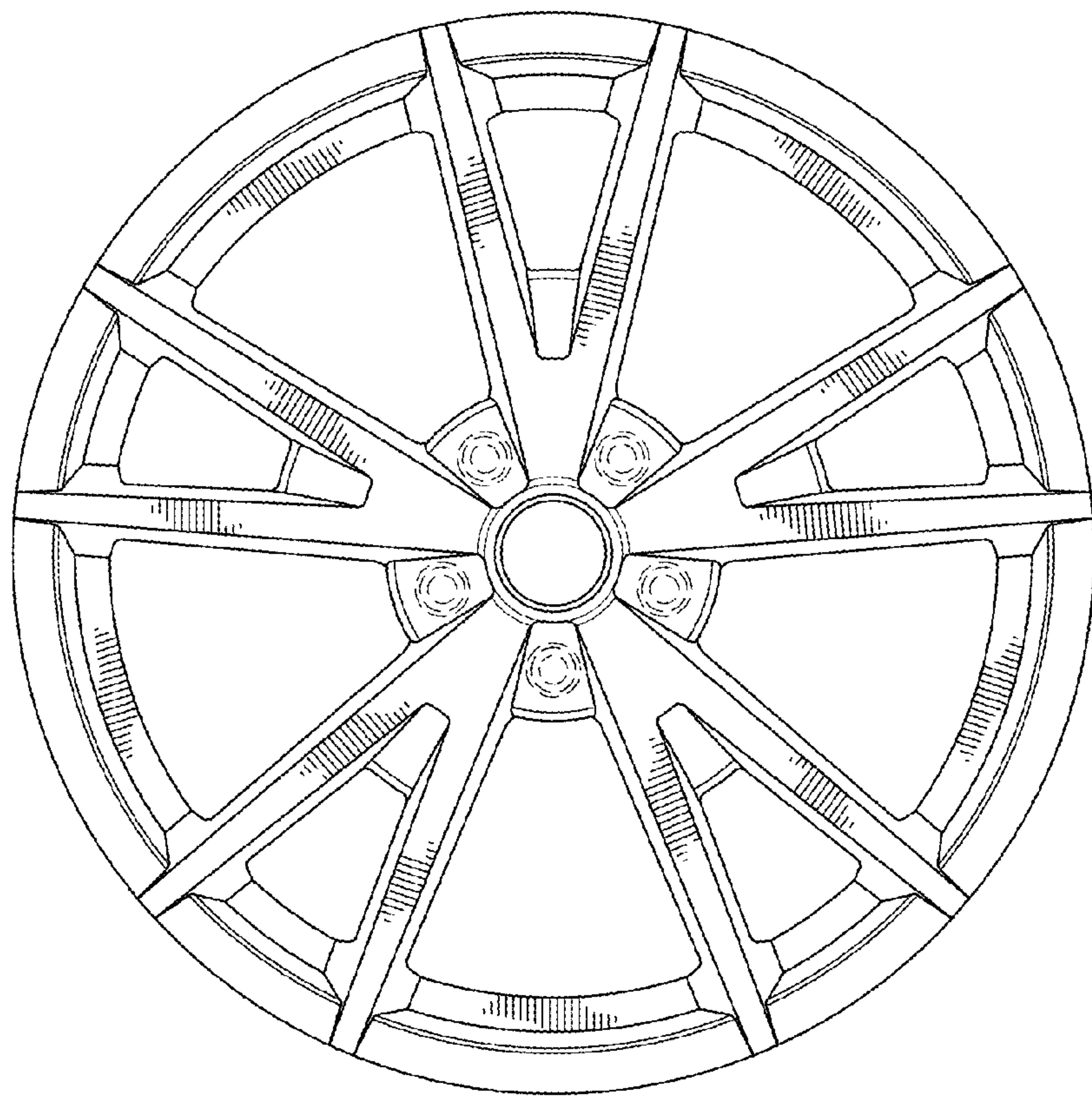


FIG. 1

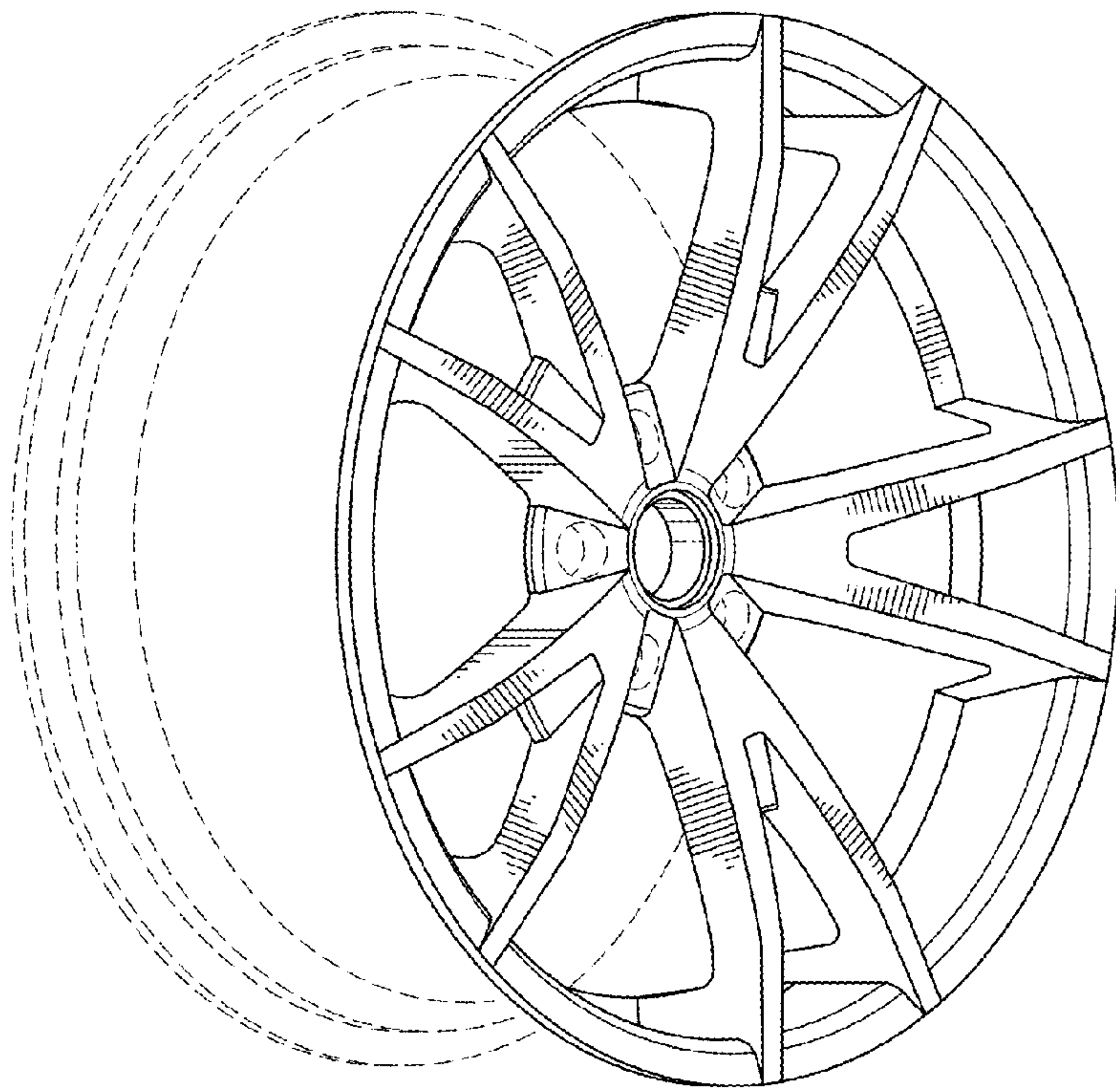


FIG. 2