



US00D756874S

(12) **United States Design Patent**
Brzustowicz et al.

(10) **Patent No.:** **US D756,874 S**
(45) **Date of Patent:** **** May 24, 2016**

- (54) **SIDE PANEL FOR A VEHICLE**
- (71) Applicant: **Daimler AG**, Stuttgart (DE)
- (72) Inventors: **John Brzustowicz**, Portland, OR (US);
Ryan Dickman, Fairview, OR (US);
Michael Gatza, Happy Valley, OR (US);
Dieter Rohkohl, Nuertungen-Hardt
(DE); **Justin Yee**, Portland, OR (US)
- (73) Assignee: **Daimler AG**, Stuttgart (DE)
- (**) Term: **15 Years**
- (21) Appl. No.: **29/540,182**
- (22) Filed: **Sep. 22, 2015**

| | | | | |
|--------------|---------|-----------------|-------|---------|
| D313,954 S * | 1/1991 | Fingerle | | D12/96 |
| 4,991,906 A | 2/1991 | Fingerle | | |
| D319,036 S * | 8/1991 | Fingerle | | D12/96 |
| D320,582 S * | 10/1991 | Fingerle | | D12/96 |
| D340,905 S * | 11/1993 | Orth, Sr. | | D12/203 |
| D381,949 S * | 8/1997 | Barrett, Jr. | | D12/203 |
| D395,269 S * | 6/1998 | McCauley, Jr. | | D12/203 |
| D395,848 S | 7/1998 | Meryman et al. | | |
| D406,552 S | 3/1999 | Hellhake et al. | | |
| D420,622 S * | 2/2000 | Hellhake | | D12/96 |
| D423,990 S | 5/2000 | Meryman et al. | | |
| D425,826 S | 5/2000 | Hellhake et al. | | |
| 6,079,770 A | 6/2000 | Bocian | | |
| D433,365 S * | 11/2000 | Beigel | | D12/196 |
| D433,967 S | 11/2000 | Delashaw et al. | | |
| D434,348 S * | 11/2000 | Delashaw | | D12/96 |
| D437,258 S | 2/2001 | Meryman et al. | | |
| D437,570 S | 2/2001 | Meryman et al. | | |
| D491,508 S | 6/2004 | Perfetti et al. | | |
| D491,862 S | 6/2004 | Perfetti et al. | | |

Related U.S. Application Data

- (62) Division of application No. 29/432,198, filed on Sep. 14, 2012, now Pat. No. Des. 741,768.

Foreign Application Priority Data

- Mar. 16, 2012 (EM) 002009936-0002

- (51) **LOC (10) Cl.** **12-16**

- (52) **U.S. Cl.**
USPC **D12/196**

- (58) **Field of Classification Search**
USPC D12/196, 96, 97, 93, 203, 181, 414,
D12/159, 190
CPC B60R 3/00; B60R 3/002; B60R 9/06;
B62D 35/001; B62D 35/00; B62D 33/00
See application file for complete search history.

(56) **References Cited**

U.S. PATENT DOCUMENTS

- D312,609 S 12/1990 Preslik et al.
- D312,810 S 12/1990 Preslik et al.

(Continued)

Primary Examiner — George D Kirschbaum

Assistant Examiner — Clese Moore, Jr.

(74) *Attorney, Agent, or Firm* — Crowell & Moring LLP

(57) **CLAIM**

The ornamental design for a side panel for a vehicle, as shown and described.

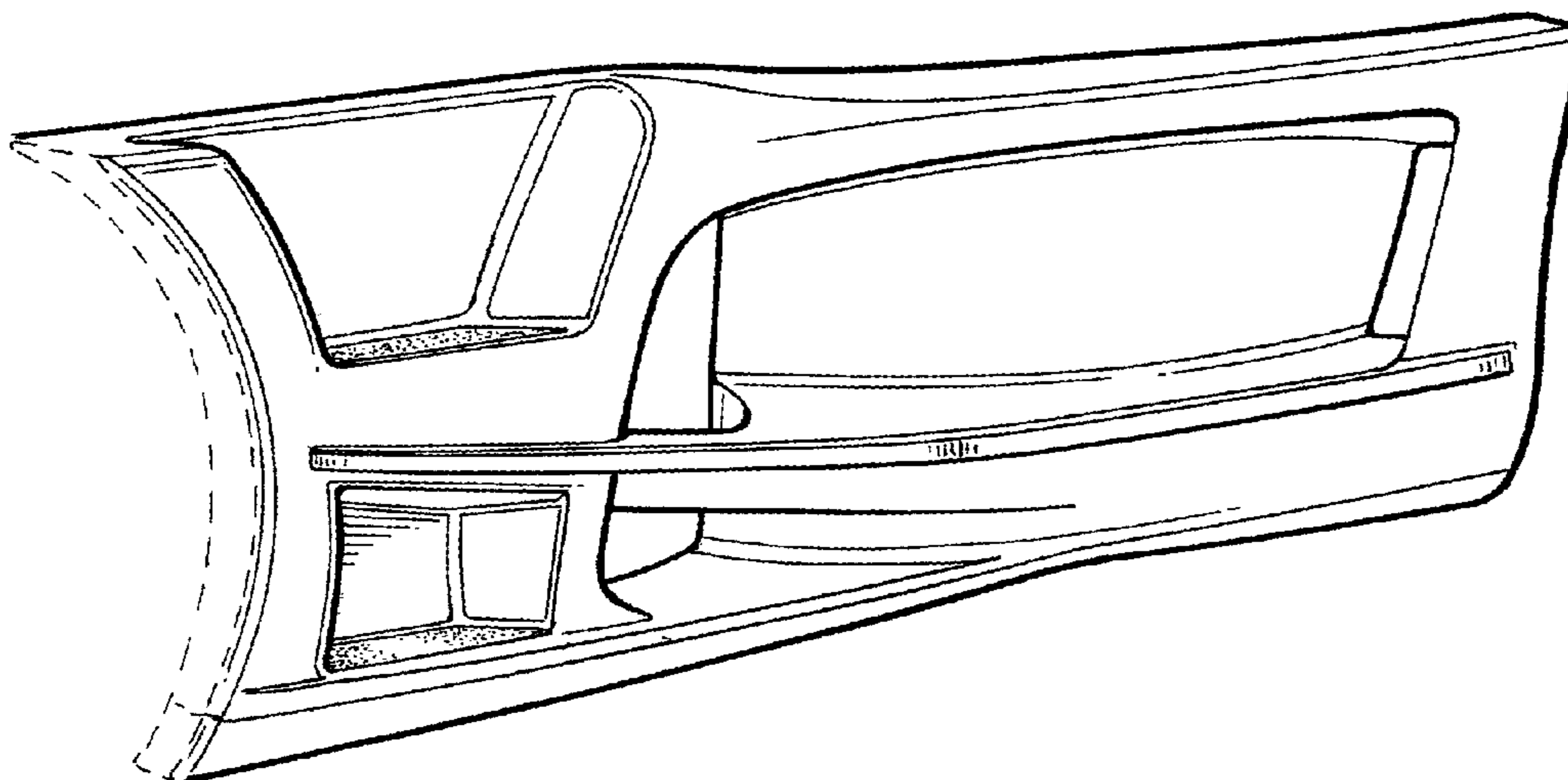
DESCRIPTION

FIG. 1 is a left perspective view of a side panel for a vehicle according to the design;
FIG. 2 is a right perspective view thereof;
FIG. 3 is a front view thereof; and,
FIG. 4 is a right perspective view thereof showing a possible environment.

The stippling disclosed in FIGS. 1-3 represents a rough texture on the presented surfaces.

The broken lines shown illustrate portions of the side panel for a vehicle that form no part of the claimed design.

1 Claim, 3 Drawing Sheets



(56)

References Cited

U.S. PATENT DOCUMENTS

| | | | | | | | | |
|--------------|---------|-----------------|-------|---------|-------------------|---------|------------------|------------------------------|
| D495,643 S * | 9/2004 | Perfetti | | D12/196 | 8,056,959 B2 | 11/2011 | Plett et al. | |
| D495,645 S * | 9/2004 | Hall | | D12/196 | D652,774 S | 1/2012 | Aris et al. | |
| D496,314 S | 9/2004 | Perfetti et al. | | | D660,756 S | 5/2012 | Peltola et al. | |
| D496,620 S | 9/2004 | Perfetti et al. | | | D700,109 S * | 2/2014 | Brzustowicz | D12/96 |
| D514,488 S | 2/2006 | Perfetti et al. | | | D708,105 S * | 7/2014 | Leetz | D12/196 |
| D522,945 S * | 6/2006 | Beigel | | D12/196 | D711,562 S | 8/2014 | Dickman et al. | |
| D531,946 S | 11/2006 | Angelo et al. | | | D716,211 S * | 10/2014 | Jensen | D12/196 |
| D531,948 S | 11/2006 | Angelo et al. | | | D719,879 S * | 12/2014 | Ito | D12/96 |
| D532,731 S * | 11/2006 | Angelo | | D12/196 | D741,768 S * | 10/2015 | Brzustowicz | D12/196 |
| D539,704 S | 4/2007 | Angelo et al. | | | D742,292 S * | 11/2015 | Peltola | D12/203 |
| D564,431 S | 3/2008 | Orr | | | 2008/0185869 A1 | 8/2008 | Stegawski et al. | |
| D632,224 S * | 2/2011 | Peltola | | D12/173 | 2009/0033058 A1 * | 2/2009 | VanderGriend | B60R 3/00 280/164.1 |
| | | | | | 2011/0121612 A1 | 5/2011 | Plett et al. | |

* cited by examiner

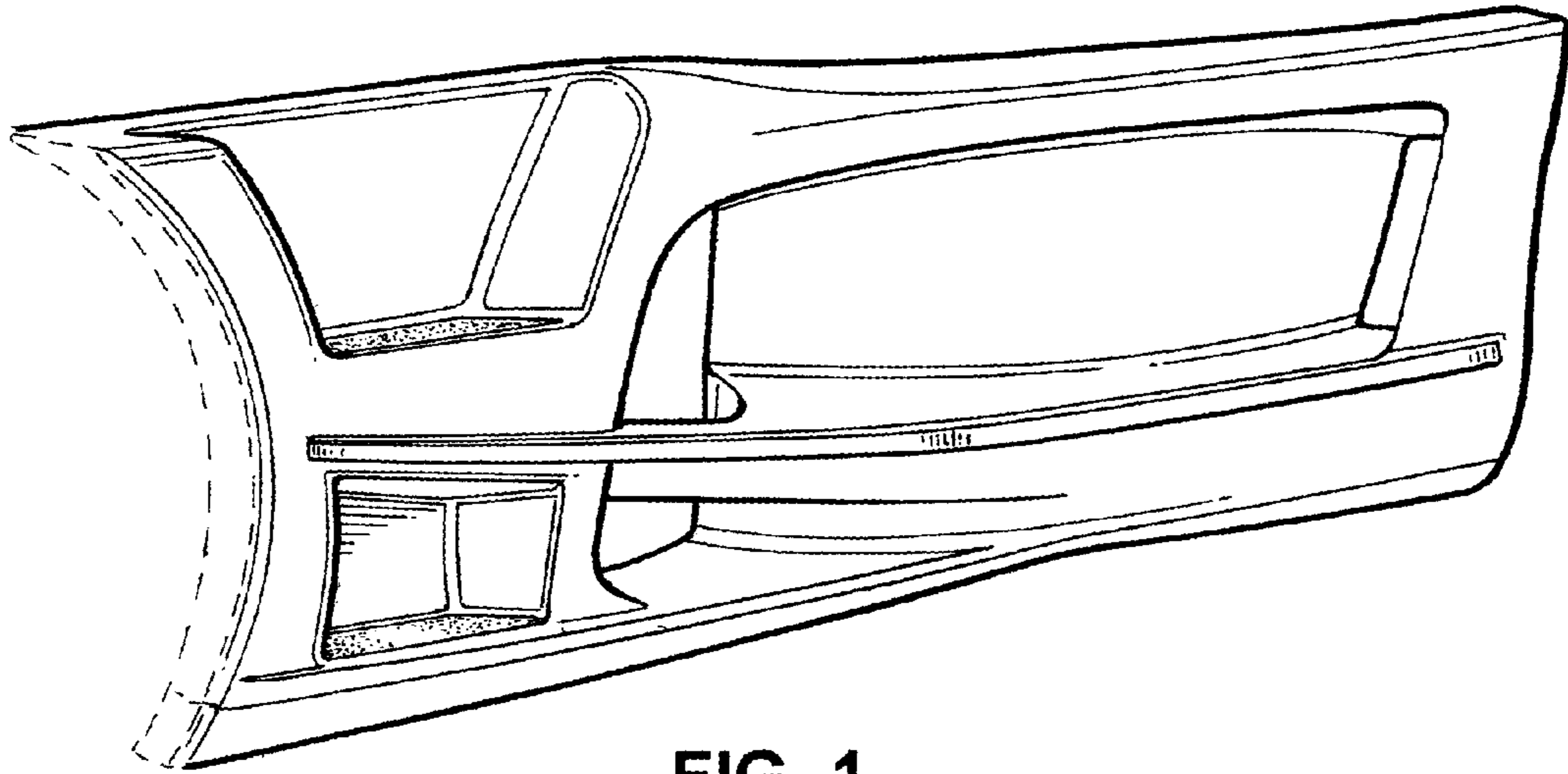


FIG. 1

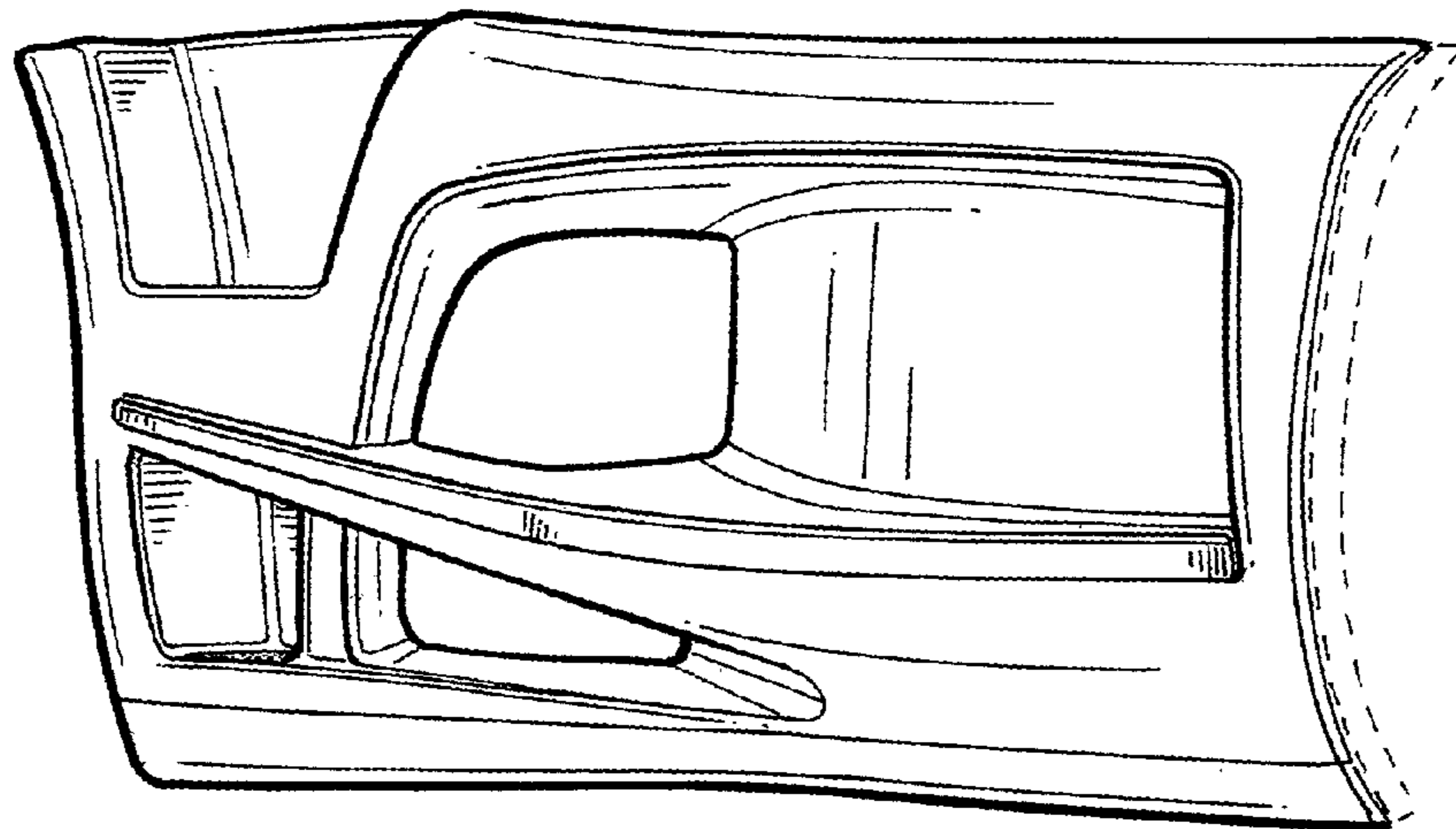


FIG. 2



FIG. 3

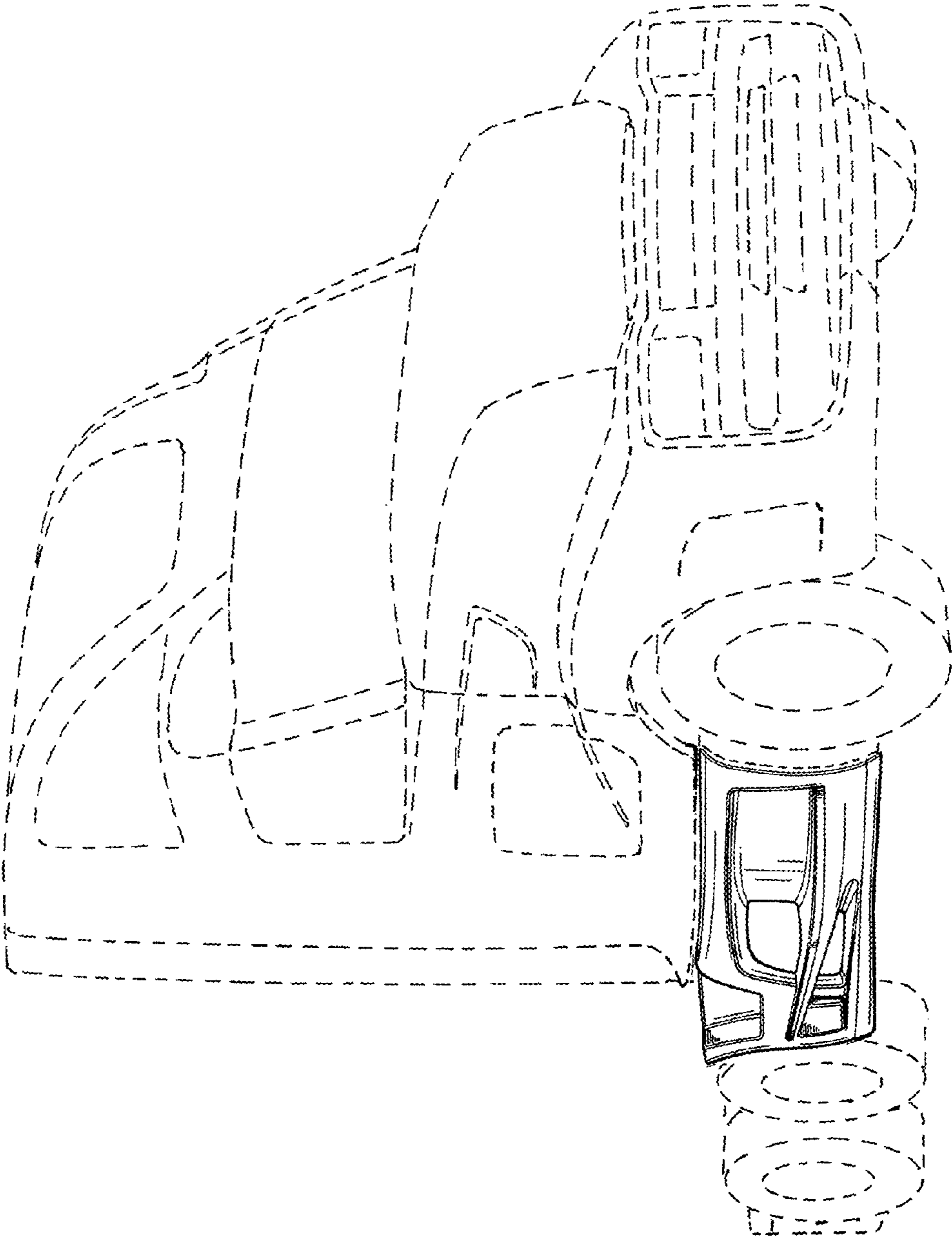


FIG. 4