



US00D756872S

(12) **United States Design Patent**  
**Stauffer**

(10) **Patent No.:** **US D756,872 S**

(45) **Date of Patent:** **\*\* May 24, 2016**

- (54) **EXHAUST PIPE**
- (71) Applicant: **STAUFFER DIESEL, INC.**, Ephrata, PA (US)
- (72) Inventor: **Travis J. Stauffer**, Reinholds, PA (US)
- (73) Assignee: **STAUFFER DIESEL, INC.**, Ephrata, PA (US)
- (\*\*) Term: **14 Years**
- (21) Appl. No.: **29/509,664**
- (22) Filed: **Nov. 20, 2014**
- (51) **LOC (10) Cl.** ..... **12-16**
- (52) **U.S. Cl.**  
USPC ..... **D12/194**
- (58) **Field of Classification Search**  
USPC ..... D12/194; D15/5  
CPC ..... Y02T 10/144; Y02T 10/47; F02C 6/12;  
F16L 59/04; F16L 59/147; F02B 37/00;  
F02B 37/007  
See application file for complete search history.

- 2011/0005197 A1\* 1/2011 Berg ..... F01N 13/08  
60/272
- 2013/0091832 A1\* 4/2013 Friedrich ..... F16B 2/08  
60/323
- 2015/0047615 A1\* 2/2015 Rollins ..... F02M 25/0836  
123/520

\* cited by examiner

*Primary Examiner* — Michael A Pratt

(74) *Attorney, Agent, or Firm* — Patent Law Associates;  
Andrew D. Mead

(57) **CLAIM**

The ornamental design for an exhaust pipe, as shown.

**DESCRIPTION**

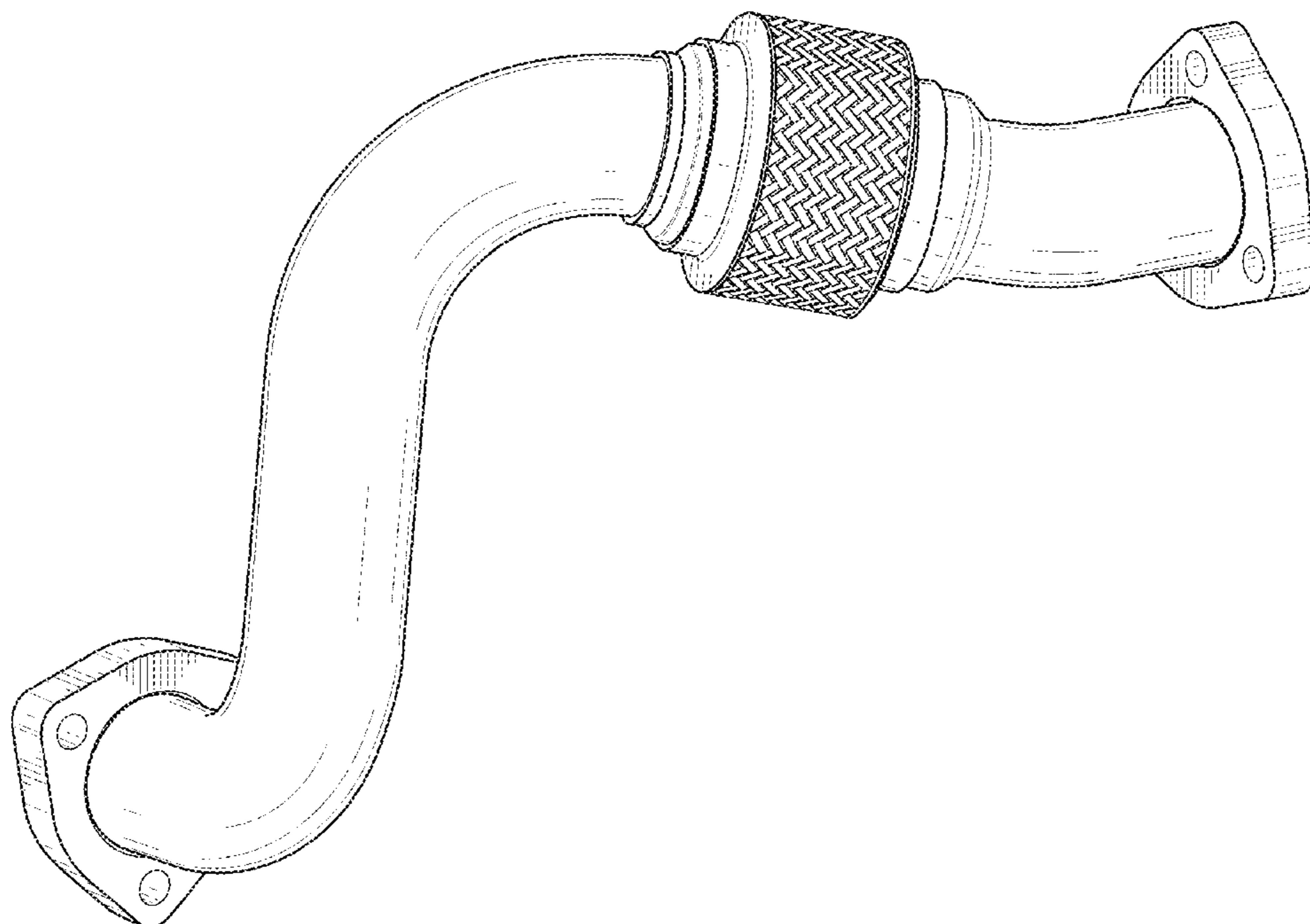
FIG. 1 is a forward perspective view of an exhaust pipe arrangement;  
 FIG. 2 is a left-side elevation view of the exhaust pipe arrangement;  
 FIG. 3 is a right-side elevation view from the opposite vantage of that shown in FIG. 2;  
 FIG. 4 is a forward elevation view of the exhaust pipe arrangement;  
 FIG. 5 is a rearward elevation view of the exhaust pipe arrangement from the opposite vantage of that shown in FIG. 4;  
 FIG. 6 is a plan view of the exhaust pipe arrangement;  
 FIG. 7 is a bottom view of the exhaust pipe arrangement from the opposite vantage of that shown in FIG. 6; and,  
 FIG. 8 is a forward perspective view of the exhaust pipe arrangement as installed on an engine.  
 The broken line showing of an engine is included for the purpose of illustrating environment and forms no part of the claimed design.

(56) **References Cited**

U.S. PATENT DOCUMENTS

- |           |     |         |                 |                             |
|-----------|-----|---------|-----------------|-----------------------------|
| 2,420,153 | A   | 5/1947  | Sprenger et al. |                             |
| 4,856,822 | A   | 8/1989  | Parker          |                             |
| 4,993,224 | A * | 2/1991  | Phelps          | ..... B01F 5/045<br>137/602 |
| 6,612,342 | B2  | 9/2003  | Gödel et al.    |                             |
| 7,284,771 | B2  | 10/2007 | Baumann et al.  |                             |

**1 Claim, 8 Drawing Sheets**



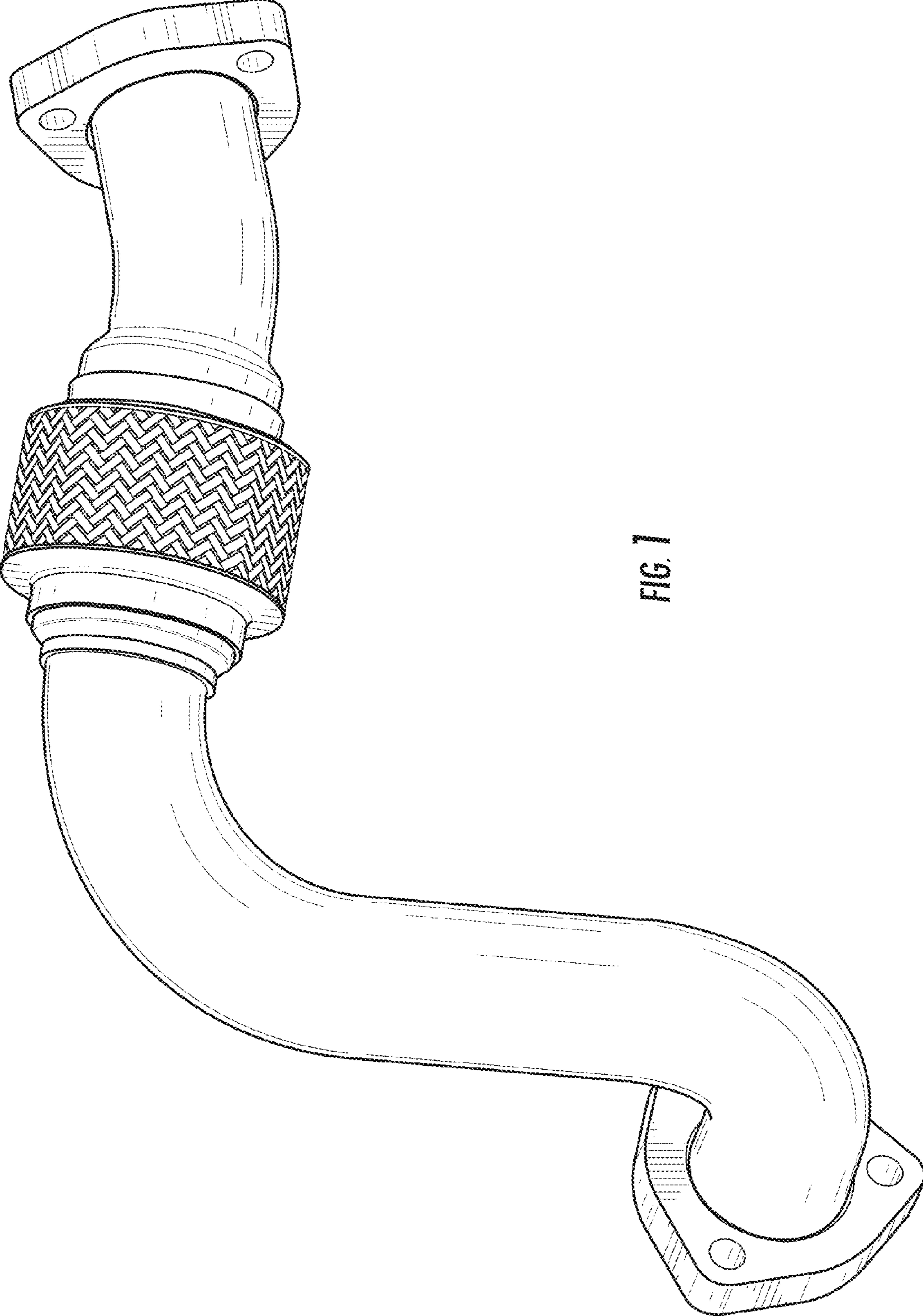


FIG. 1

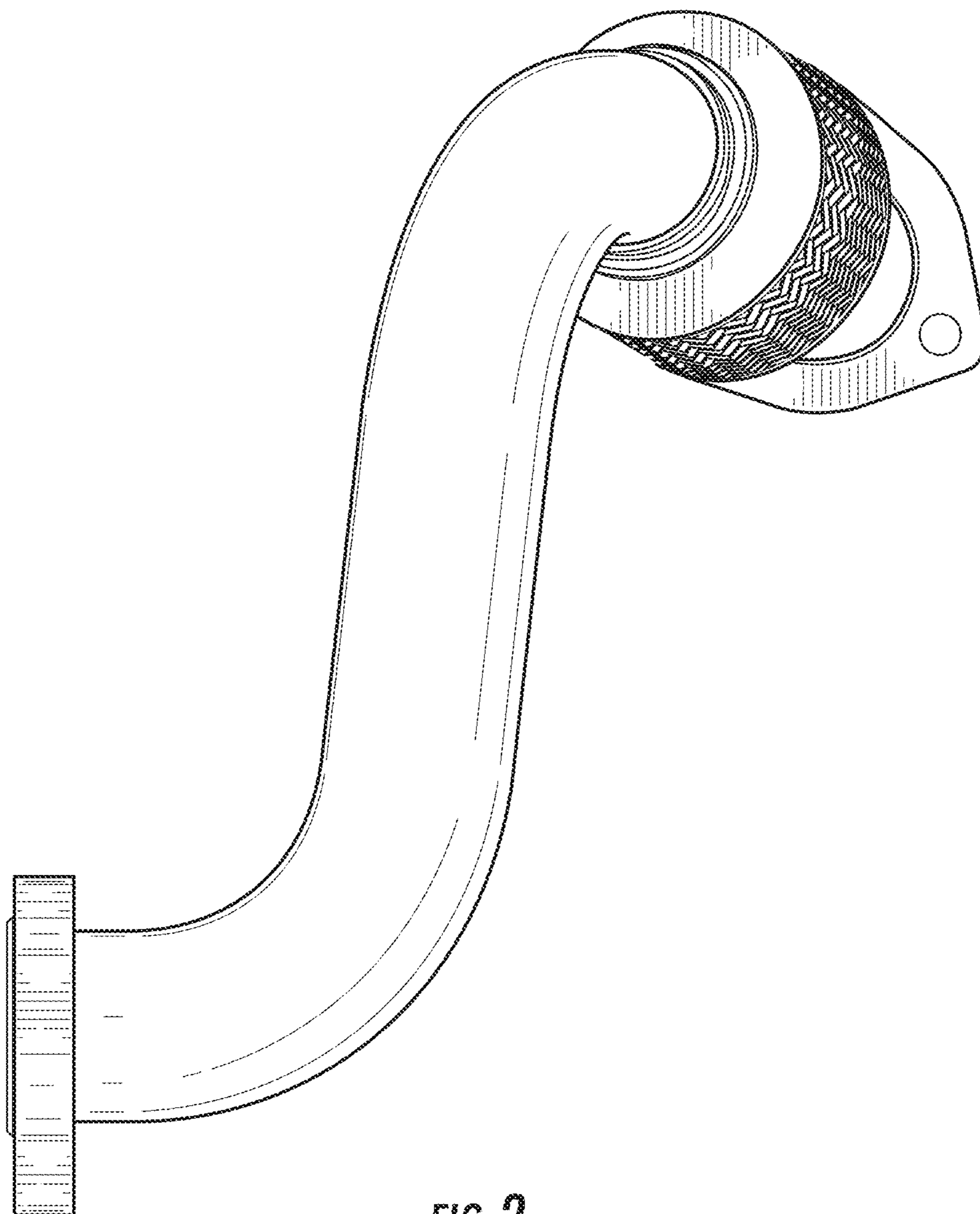


FIG. 2

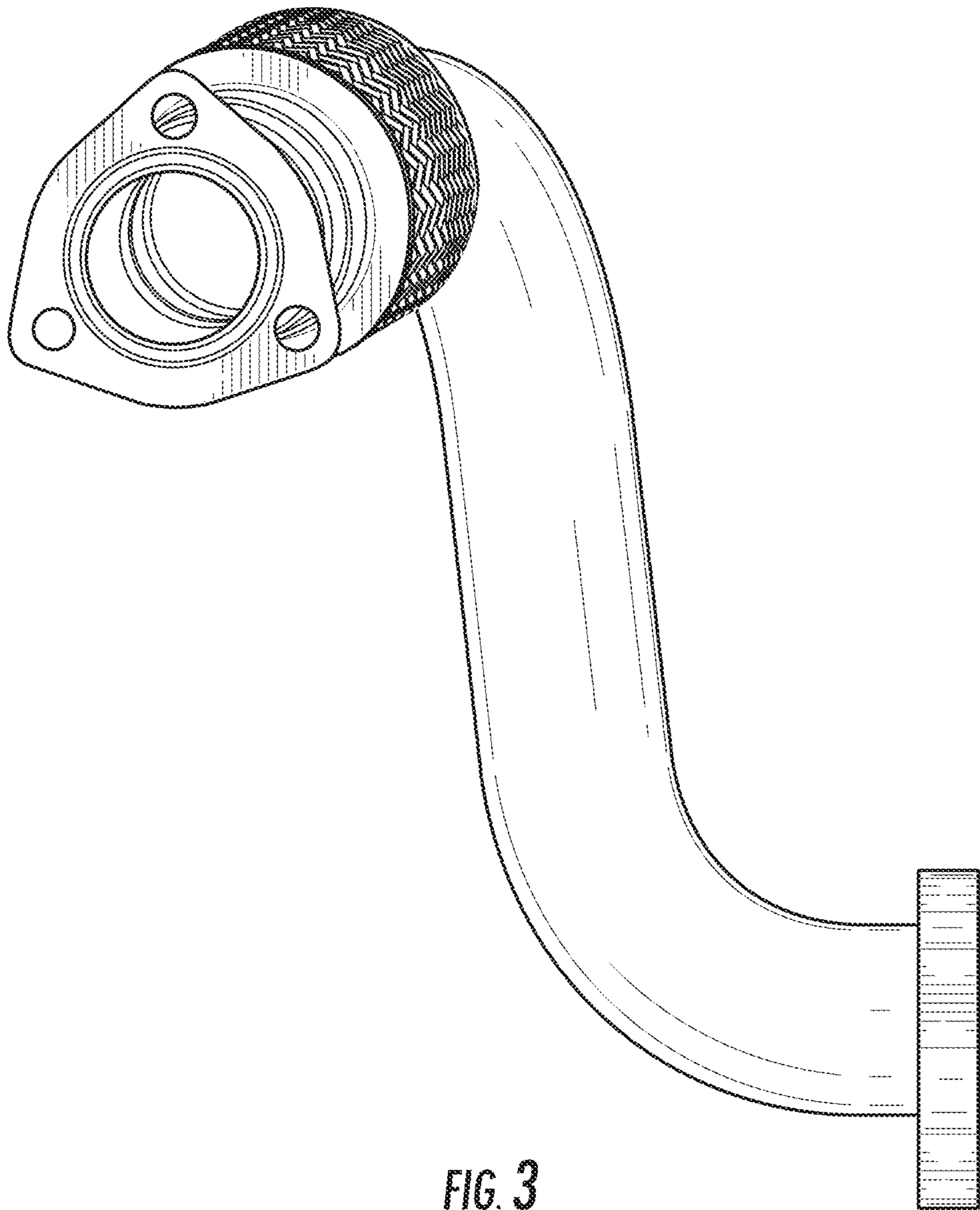


FIG. 3

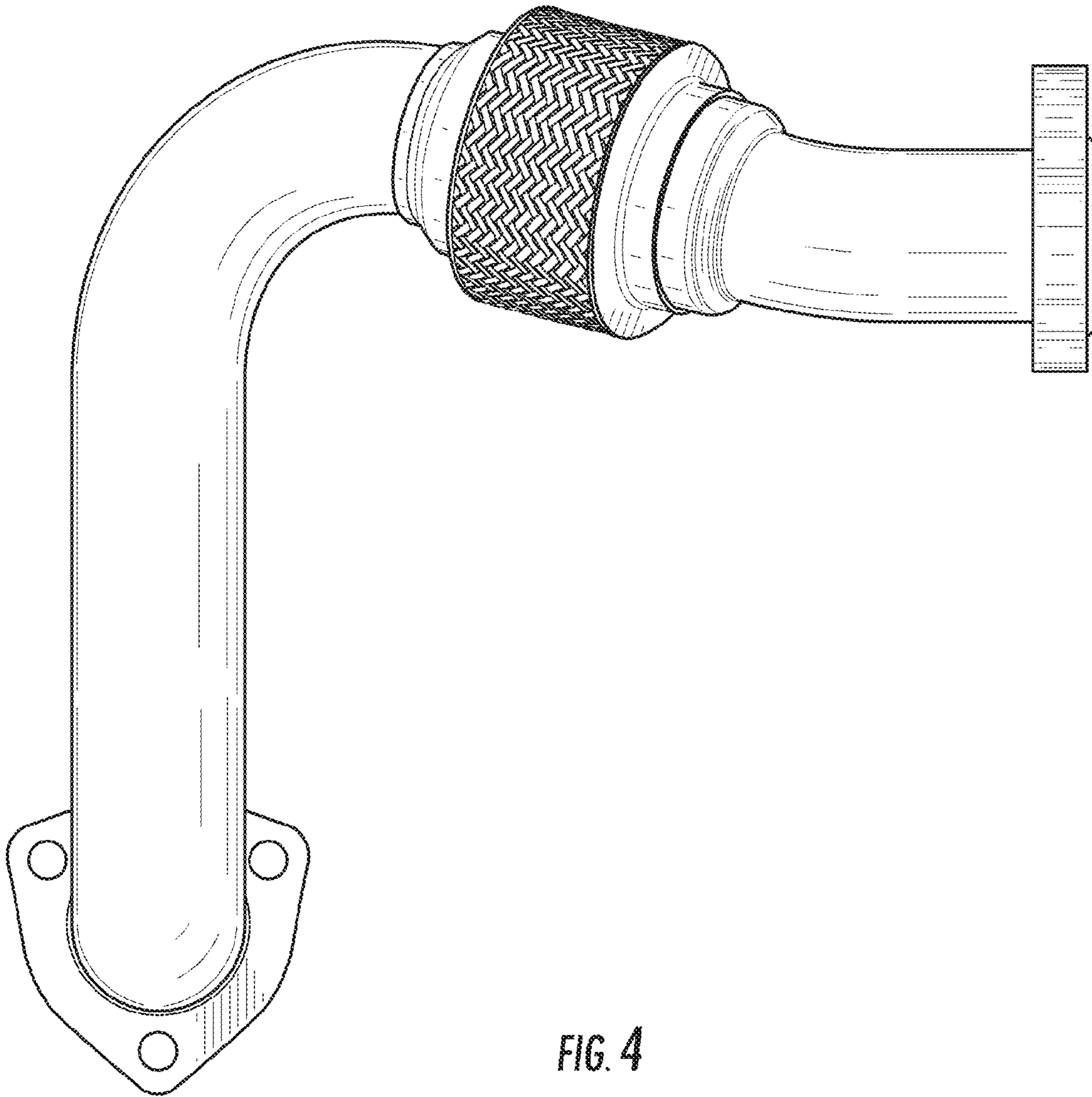


FIG. 4

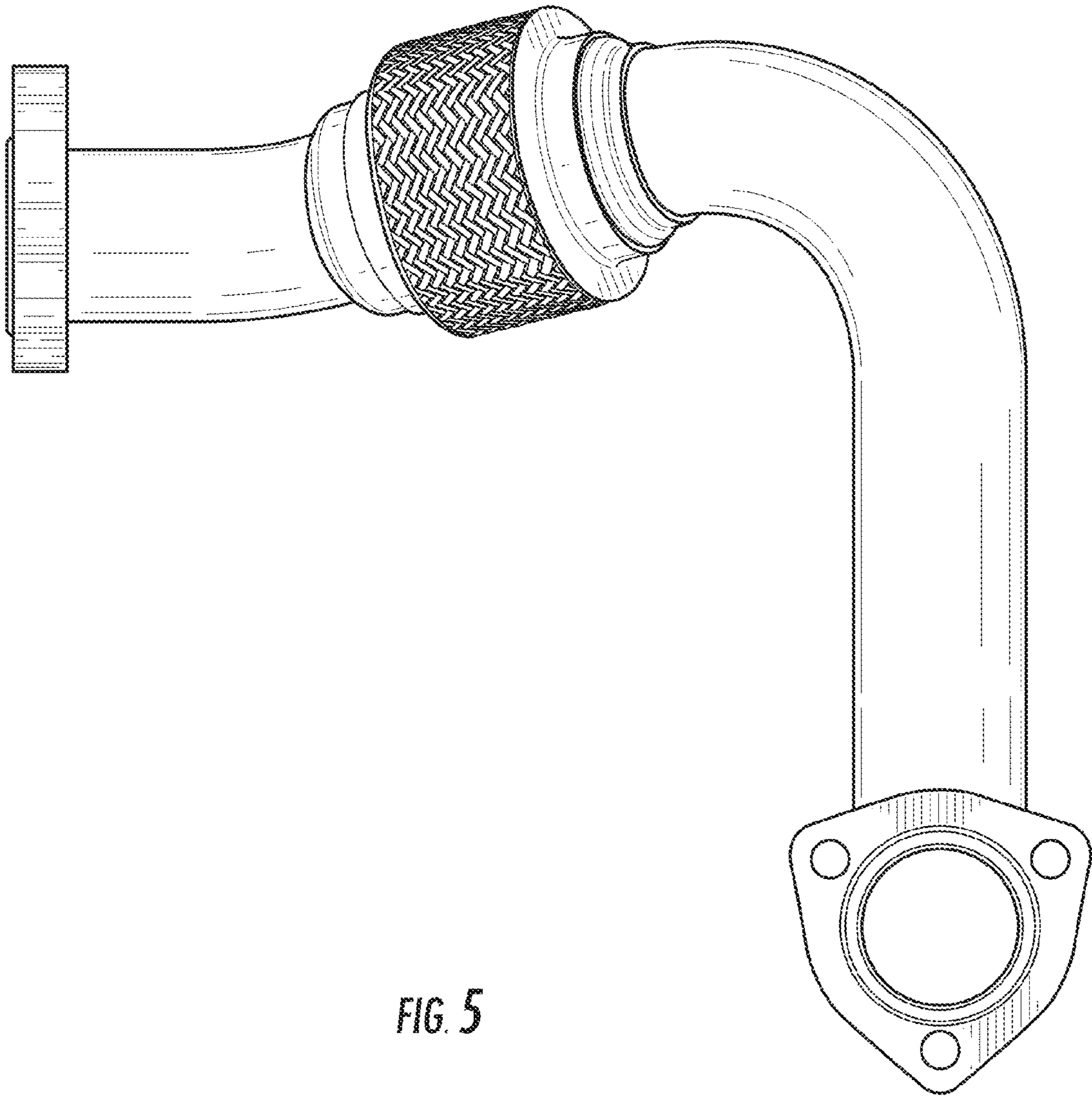


FIG. 5

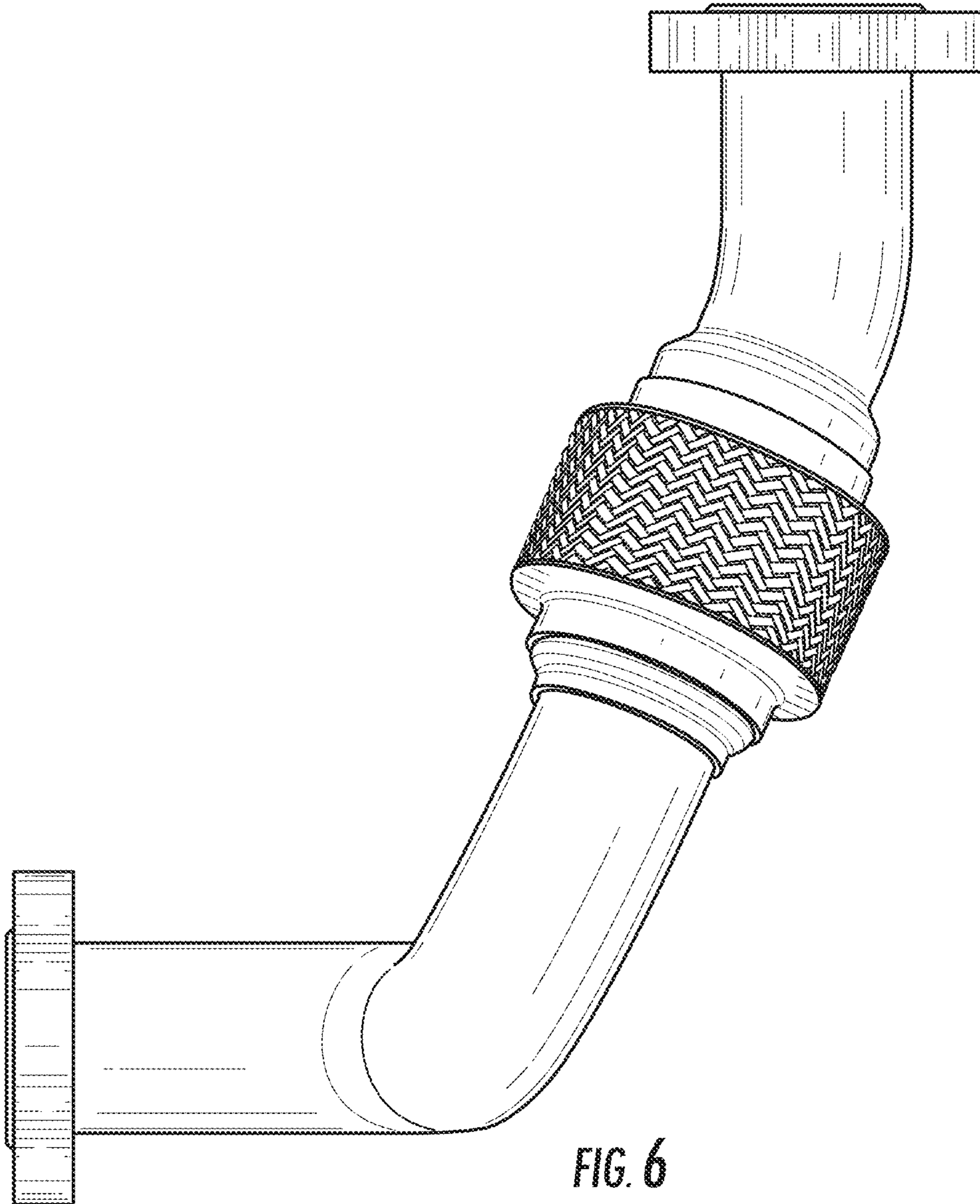
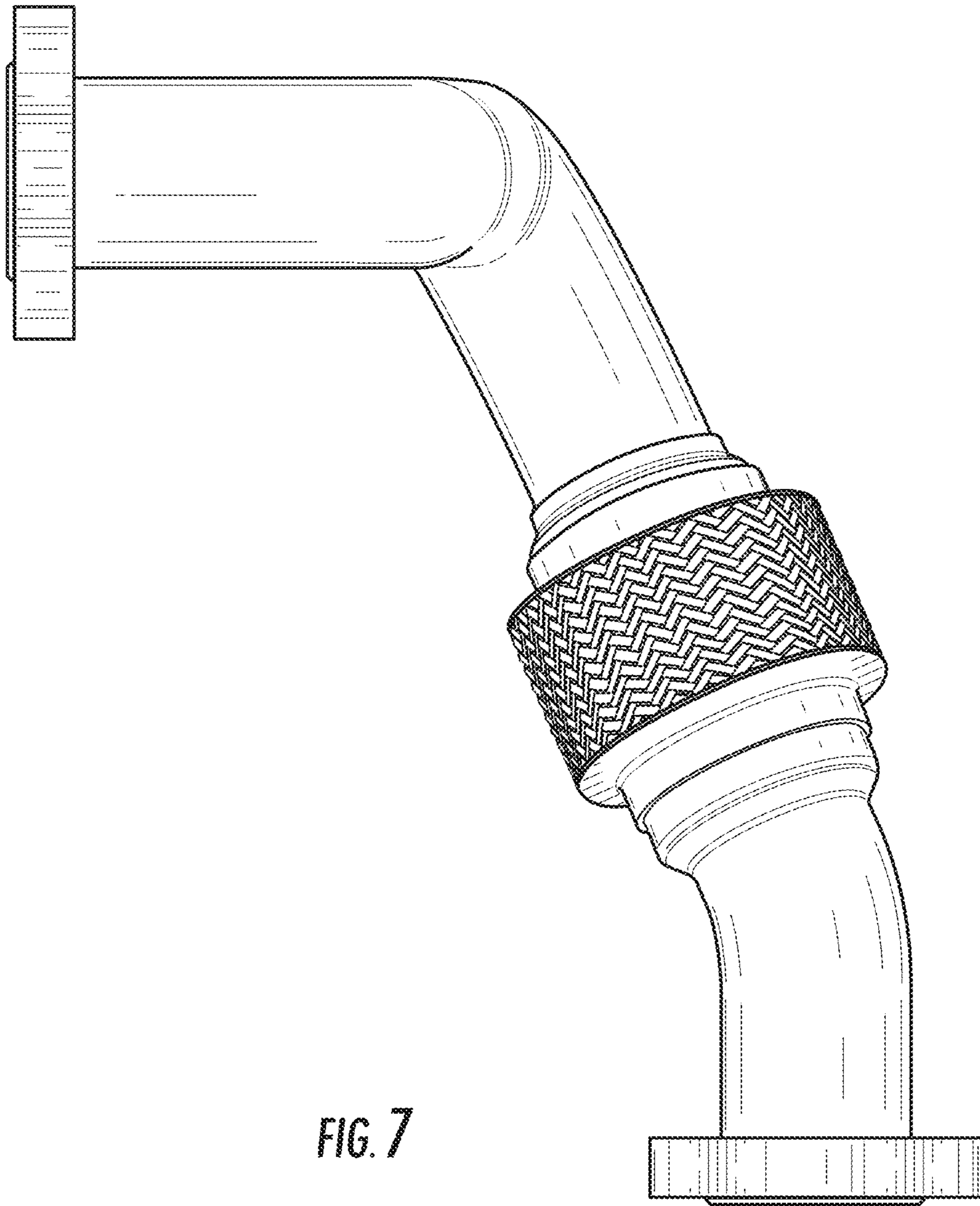


FIG. 6



*FIG. 7*



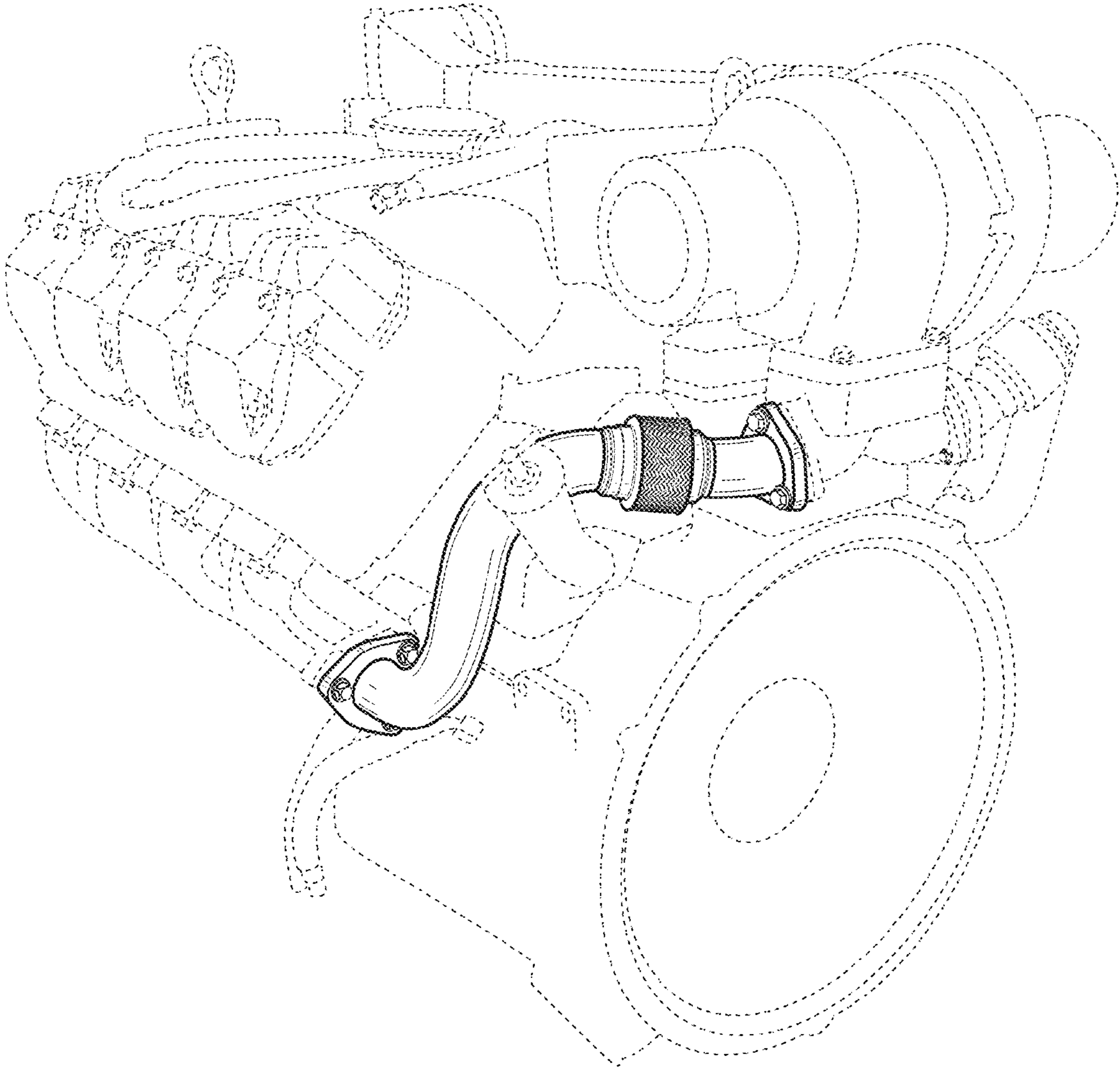


FIG. 8