



US00D756871S

(12) **United States Design Patent**
Körner

(10) **Patent No.:** **US D756,871 S**

(45) **Date of Patent:** **** May 24, 2016**

(54) **CONTROL PANEL FOR A VEHICLE**

(71) Applicant: **ZF Friedrichshafen AG**,
Friedrichshafen (DE)

(72) Inventor: **Jan Körner**, Friedrichshafen (DE)

(73) Assignee: **ZF FRIEDRICHSHAFEN AG**,
Friedrichshafen (DE)

(**) Term: **14 Years**

(21) Appl. No.: **29/513,222**

(22) Filed: **Dec. 29, 2014**

(30) **Foreign Application Priority Data**

Jun. 27, 2014 (EM) 002492199-0001
Jun. 27, 2014 (EM) 002492199-0002
Jun. 30, 2014 (EM) 002492959-0001

(51) **LOC (10) Cl.** **12-16**

(52) **U.S. Cl.**
USPC **D12/192**

(58) **Field of Classification Search**
USPC D12/192, 415, 110, 114; D15/17, 28;
D10/46, 98, 102-103, 122-127
CPC G08G 1/096883; G01C 21/16; G01C
21/3688; G01C 21/30
See application file for complete search history.

(56) **References Cited**

U.S. PATENT DOCUMENTS

D730,847 S * 6/2015 Weiss D13/168
D734,240 S * 7/2015 Okuyama D12/317
D734,697 S * 7/2015 Hayashi D12/192
D737,336 S * 8/2015 Ewringmann D15/28

D737,539 S * 8/2015 Zeppetbauer D34/35
D742,369 S * 11/2015 Nishizawa D14/257
D742,936 S * 11/2015 Ewringmann D15/28
D744,008 S * 11/2015 Hanson D13/169

* cited by examiner

Primary Examiner — Katrina A Betton

(74) *Attorney, Agent, or Firm* — Nicholas B. Trenkle; Stites
& Harbison PLLC

(57) **CLAIM**

The ornamental design for a control panel for a vehicle, as shown and described.

DESCRIPTION

FIG. 1 is a front view of a first embodiment of a control panel for a vehicle showing the new design;

FIG. 2 is a right view thereof;

FIG. 3 is a left view thereof;

FIG. 4 is a top view thereof;

FIG. 5 is a bottom view thereof;

FIG. 6 is a perspective view thereof;

FIG. 7 is another perspective view thereof;

FIG. 8 is a front view of a second embodiment of a control panel for a vehicle showing the new design;

FIG. 9 is a right view thereof;

FIG. 10 is a left view thereof;

FIG. 11 is a top view thereof;

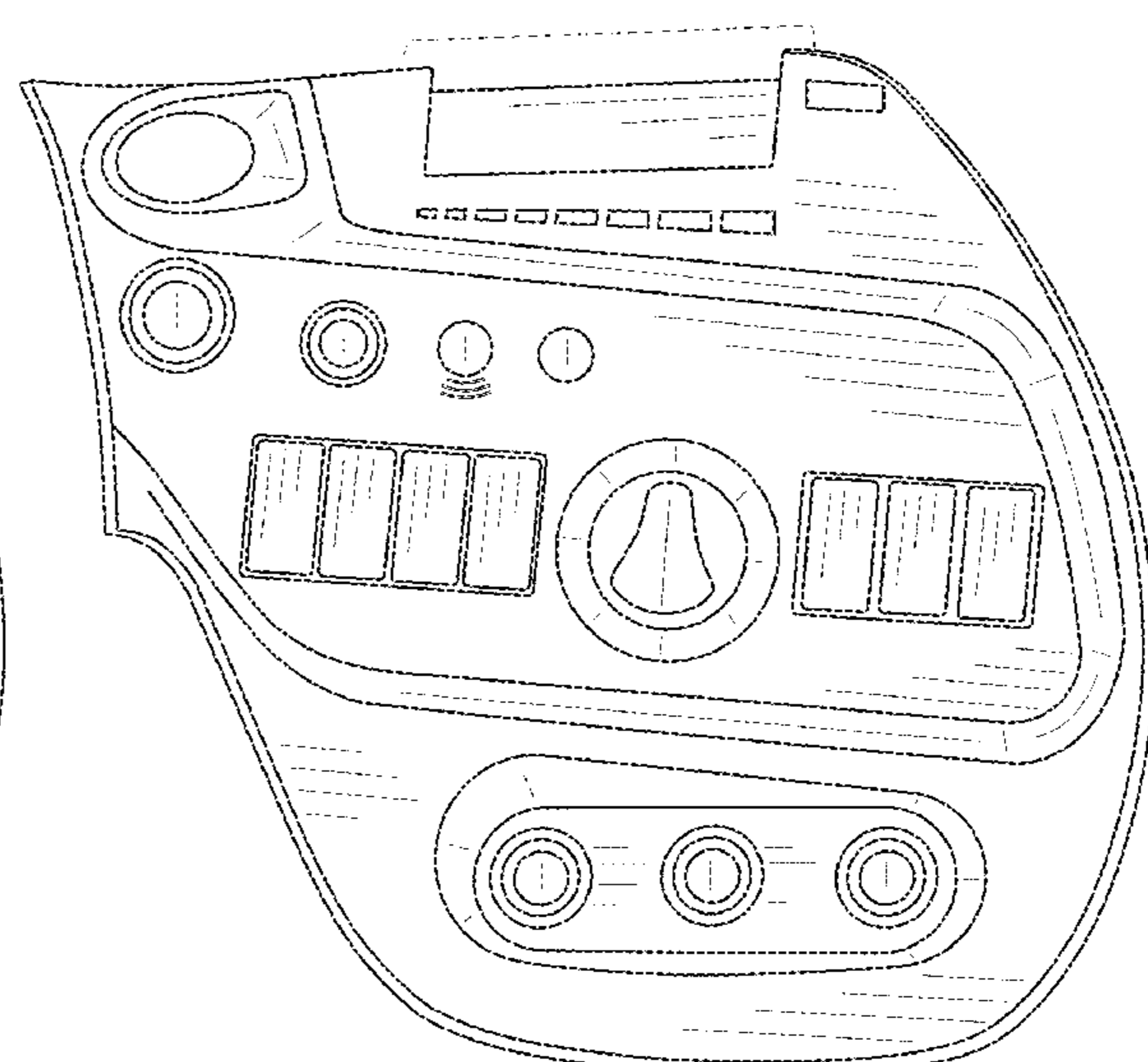
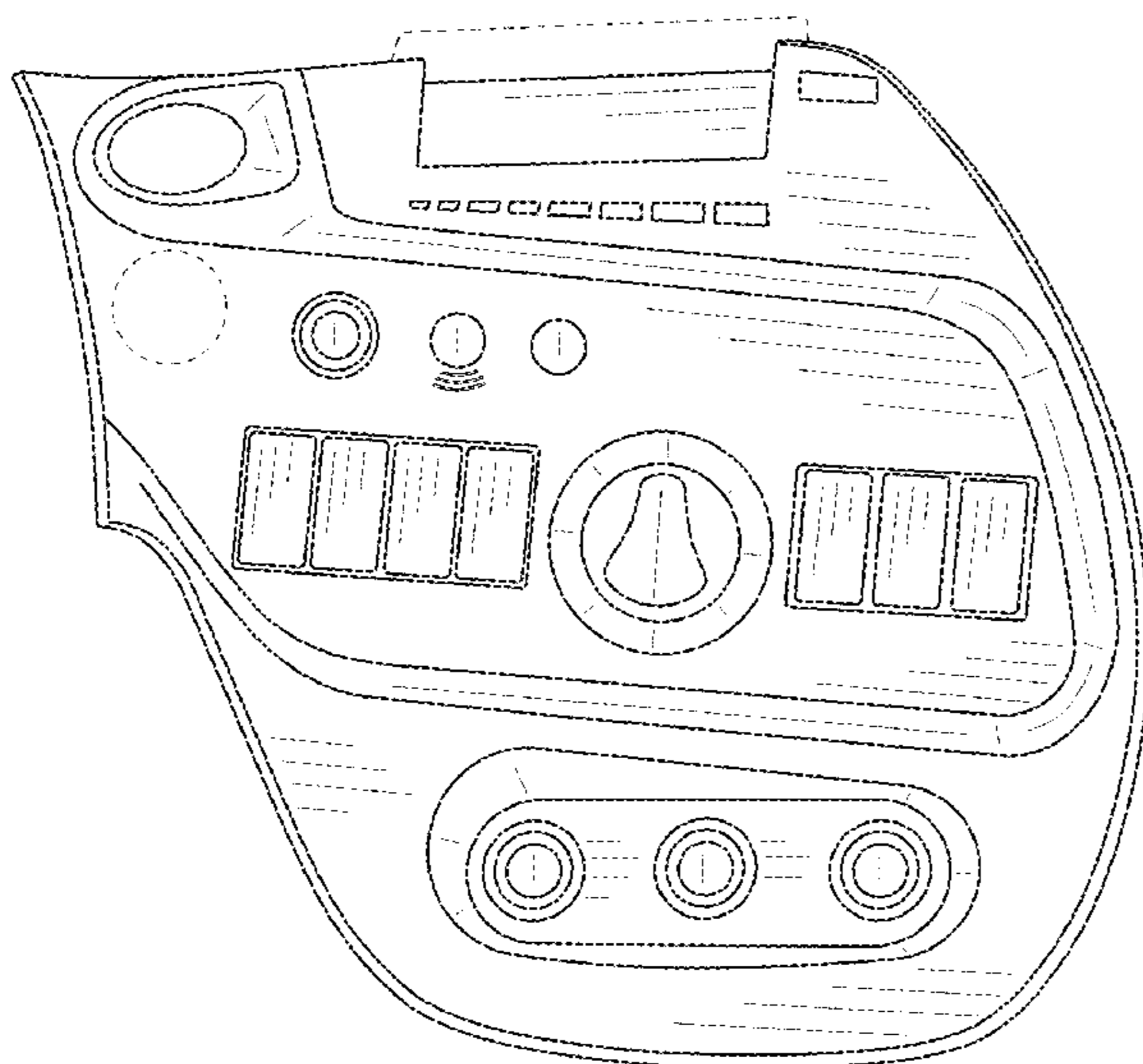
FIG. 12 is a bottom view thereof;

FIG. 13 is a perspective view thereof; and,

FIG. 14 is another perspective view thereof.

The surfaces or portions not shown in the drawings or described in the specification form no part of the claimed design. The removable tablet and other portions shown in broken lines in the drawings is provided for environmental purposes only and forms no part of the claimed design.

1 Claim, 10 Drawing Sheets



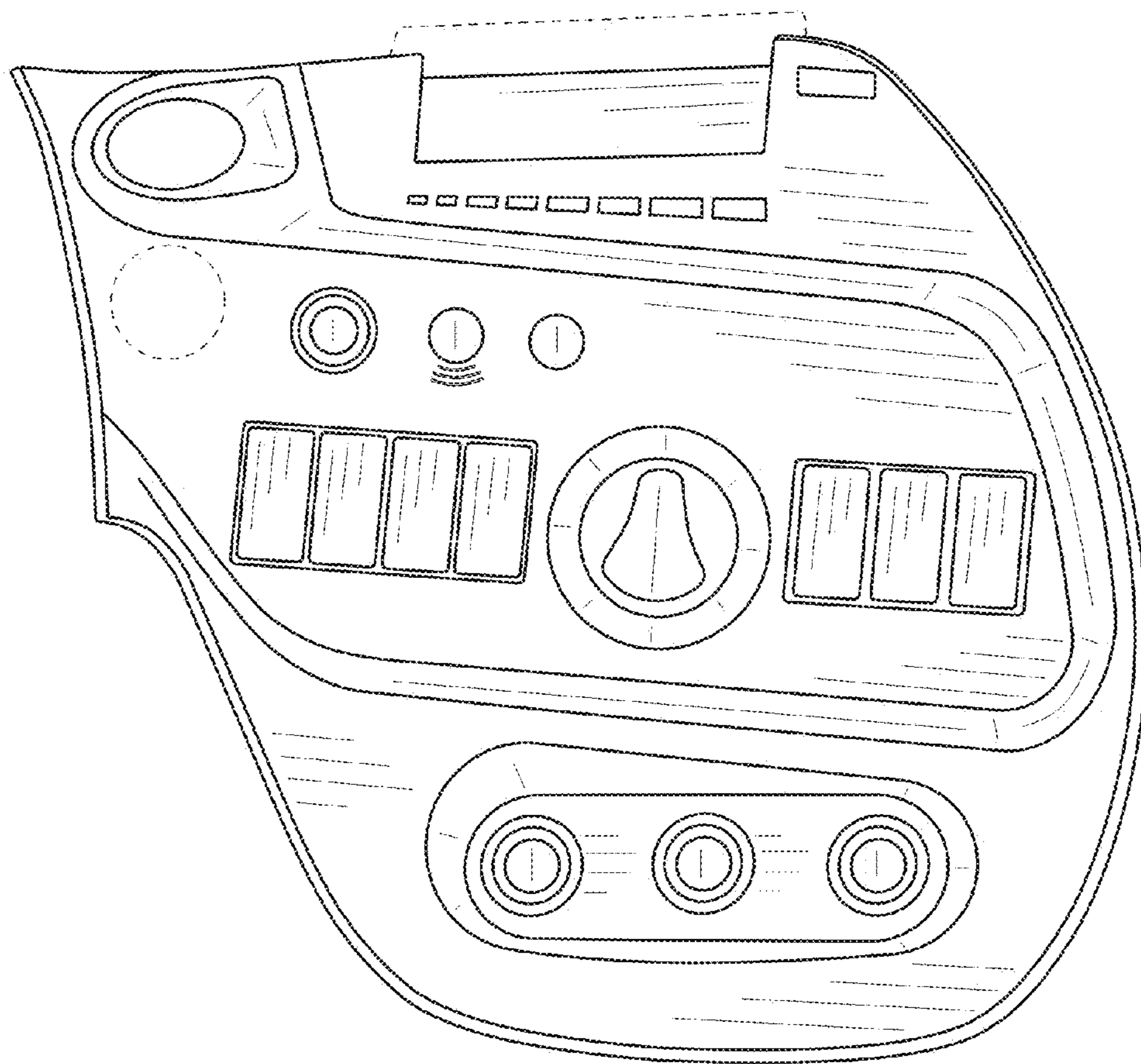


FIG. 1

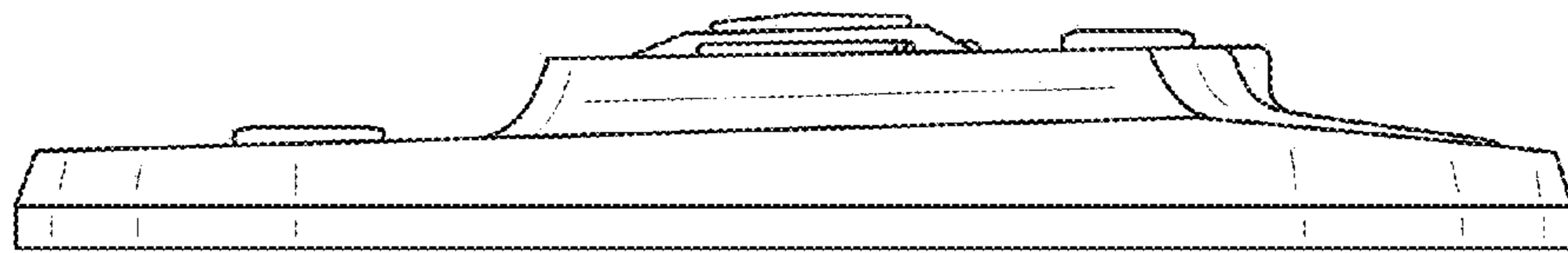


FIG. 2

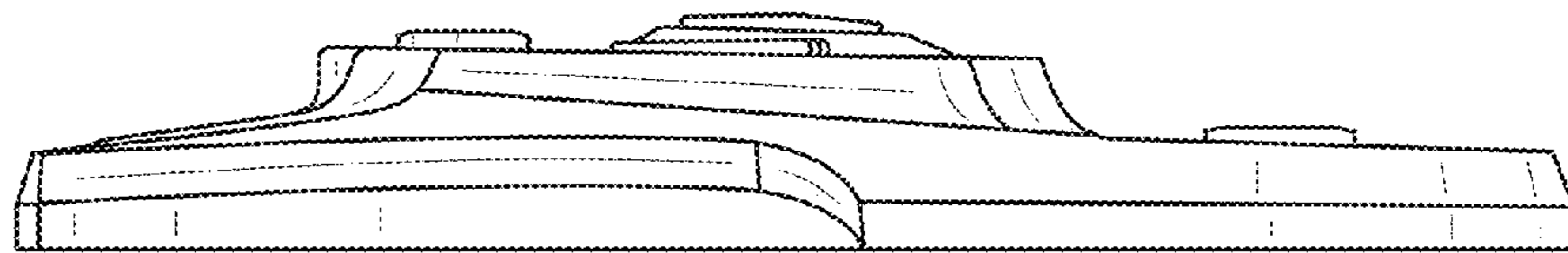


FIG. 3

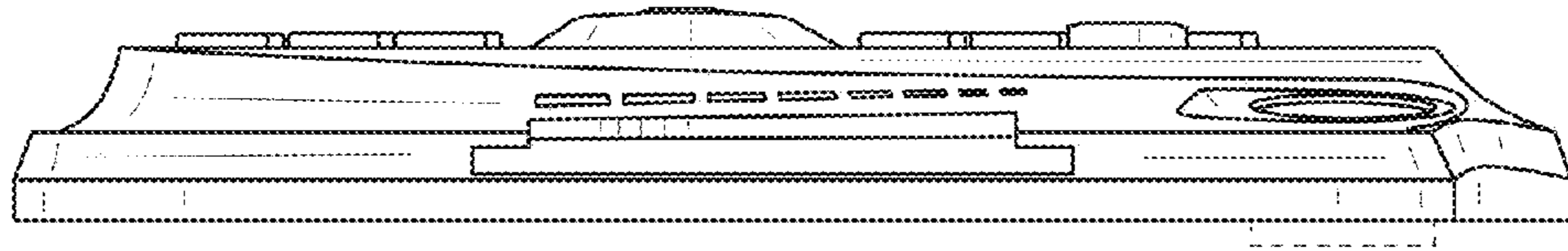


FIG. 4

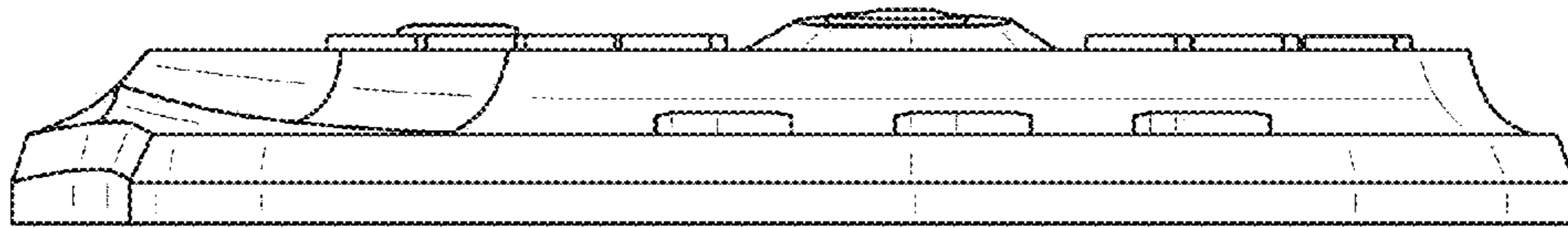


FIG. 5

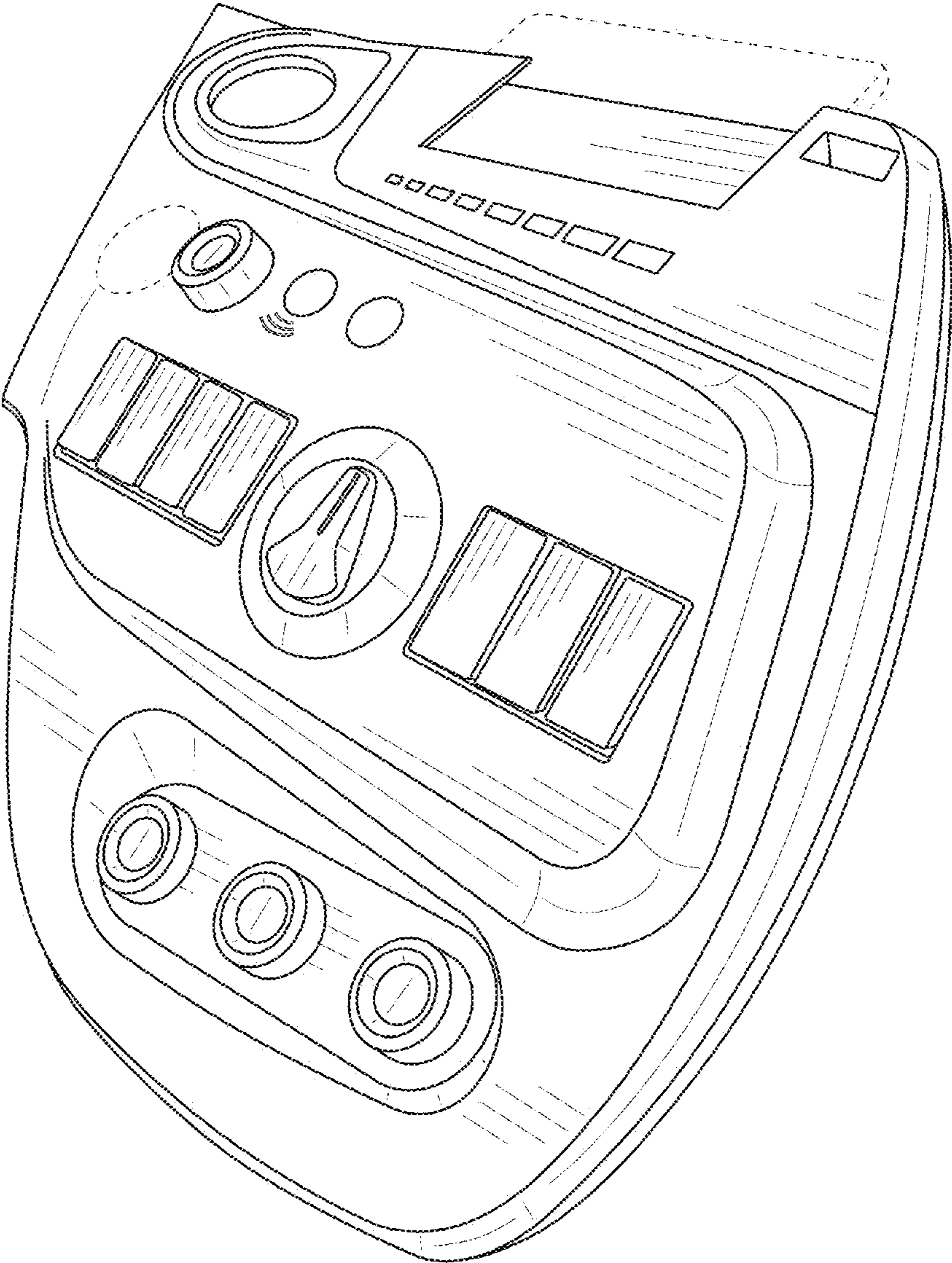


FIG. 6

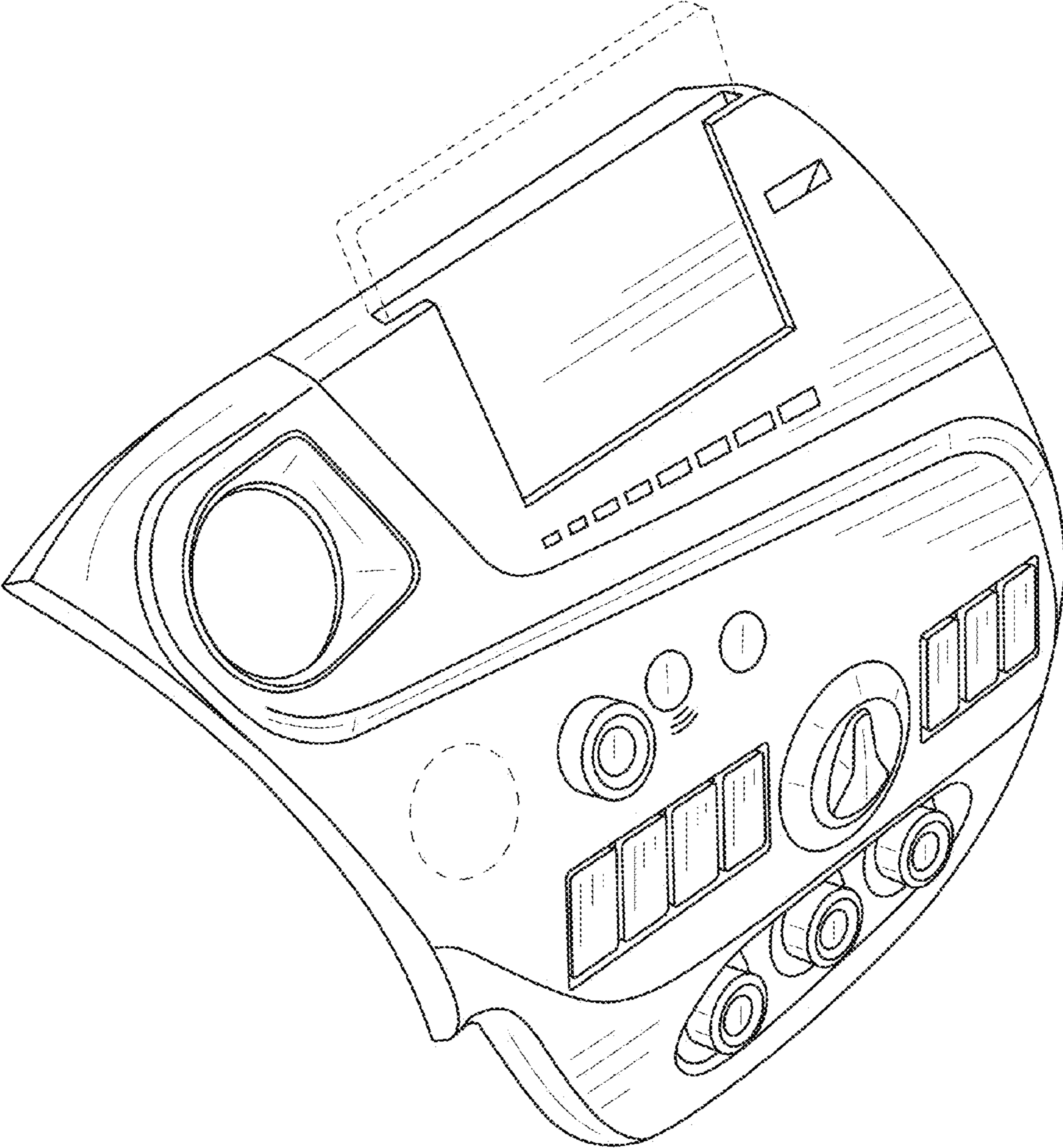


FIG. 7

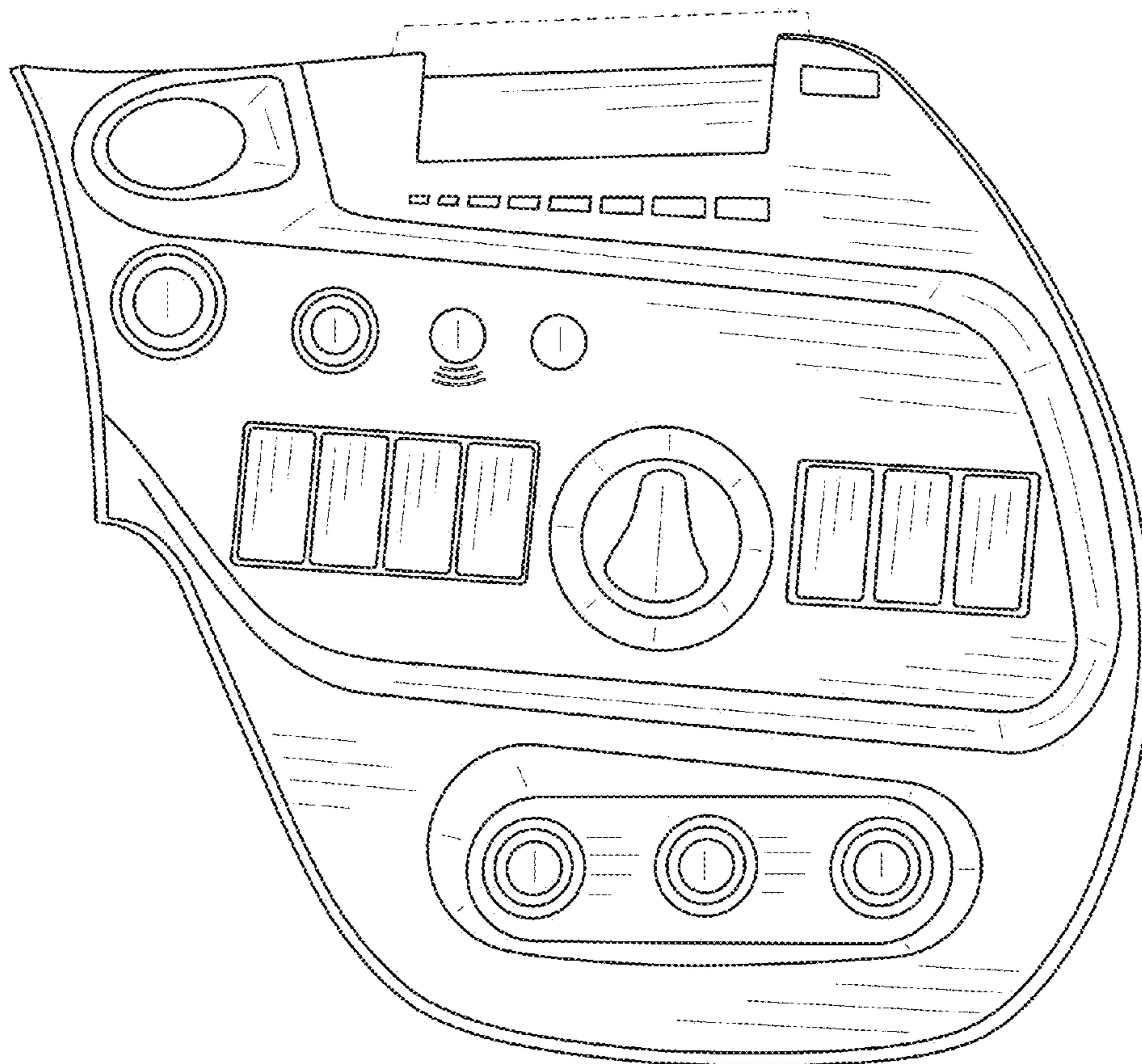


FIG. 8

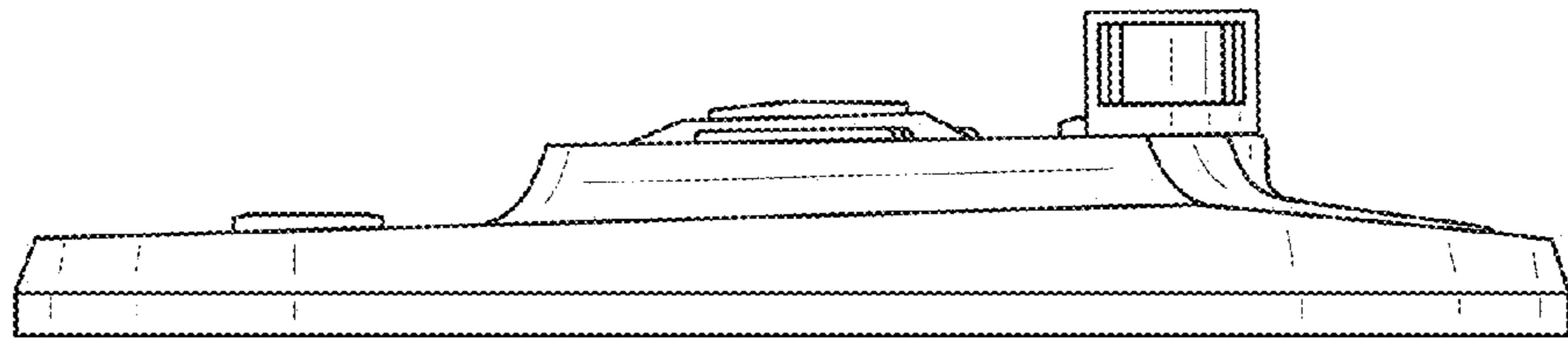


FIG. 9

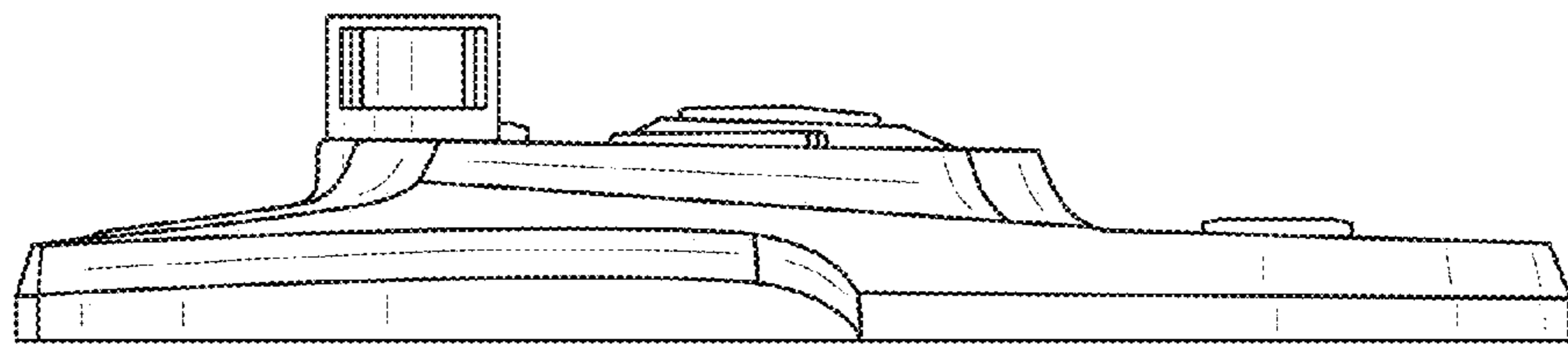


FIG. 10

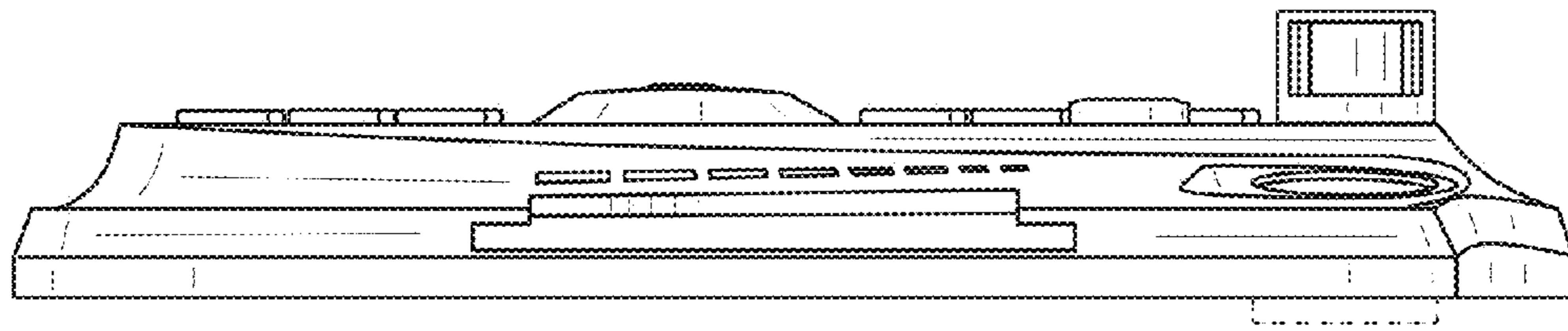


FIG. 11

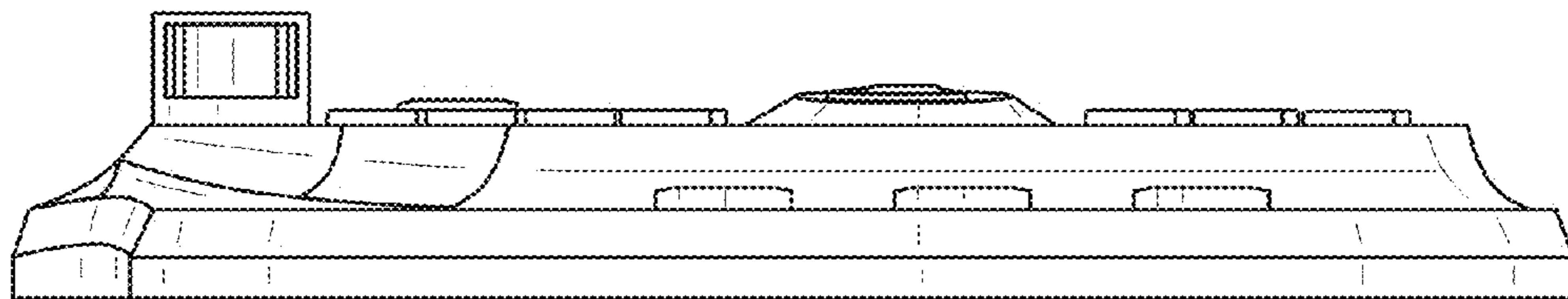


FIG. 12

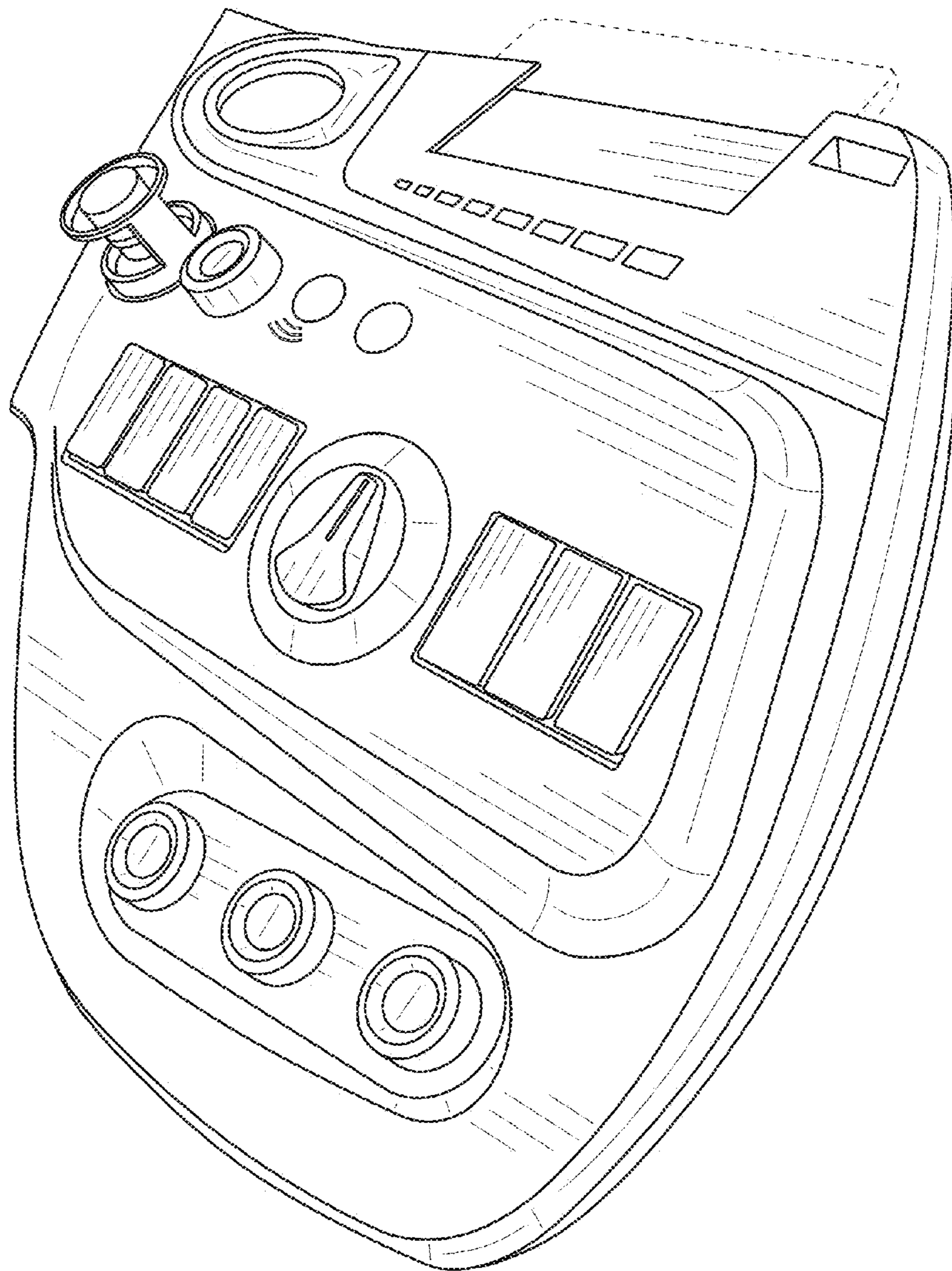


FIG. 13

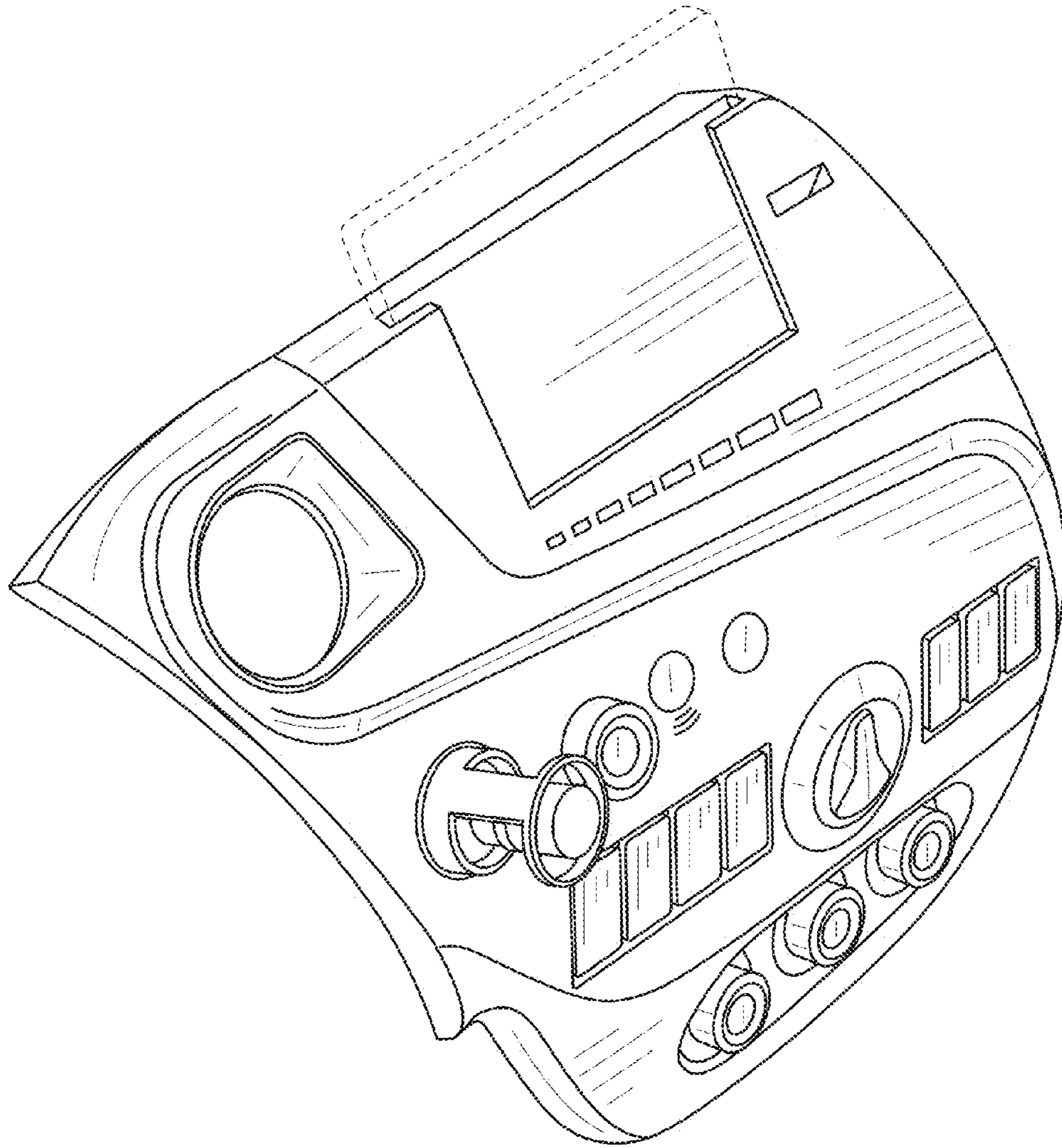


FIG. 14