



US00D756865S

(12) **United States Design Patent**  
**Salomé**

(10) **Patent No.:** **US D756,865 S**  
(45) **Date of Patent:** **\*\* May 24, 2016**

(54) **STEERING WHEEL**

(71) Applicant: **VOLKSWAGEN**  
**AKTIENGESELLSCHAFT**, Wolfsburg  
(DE)

(72) Inventor: **Etienne Salomé**, Wolfsburg (DE)

(73) Assignee: **VOLKSWAGEN**  
**AKTIENGESELLSCHAFT**, Wolfsburg  
(DE)

(\*\*) Term: **15 Years**

(21) Appl. No.: **29/540,210**

(22) Filed: **Sep. 22, 2015**

(30) **Foreign Application Priority Data**

Mar. 24, 2015 (WO) ..... 881 477 701

(51) **LOC (10) Cl.** ..... **12-16**

(52) **U.S. Cl.**  
USPC ..... **D12/175**

(58) **Field of Classification Search**  
USPC ..... D12/175, 176, 177; D14/401, 414;  
D21/333, 385, 477, 566; 74/552, 558;  
340/475, 476, 477; 434/69, 70; 701/62  
CPC ..... B60Q 1/1461; B60K 37/06; G05G 1/10;  
B60R 16/037; B62D 1/16  
See application file for complete search history.

(56) **References Cited**

**U.S. PATENT DOCUMENTS**

D122,793 S \* 10/1940 Forbes ..... 74/552  
6,768,067 B2 \* 7/2004 Adachi ..... B60Q 1/1461  
200/310  
D522,516 S \* 6/2006 Hussaini ..... D14/414  
D568,409 S \* 5/2008 Ikeda ..... D14/414  
D569,773 S \* 5/2008 Niebuhr ..... D12/177  
D626,478 S \* 11/2010 Stephenson ..... D12/176

D635,069 S \* 3/2011 Klein ..... D12/176  
D651,543 S \* 1/2012 Ali ..... D12/176  
D670,628 S \* 11/2012 Tasaki ..... D12/176  
D692,813 S \* 11/2013 Koyama ..... D12/175  
D696,991 S \* 1/2014 Bose ..... D12/176  
D704,108 S \* 5/2014 Frank ..... D12/176  
D709,006 S \* 7/2014 Busse ..... D12/176  
D710,769 S \* 8/2014 Cheung ..... D12/176  
D727,226 S \* 4/2015 Mayerle ..... D12/176  
9,016,723 B2 \* 4/2015 Zeinar ..... B62D 1/16  
280/779  
D741,759 S \* 10/2015 Persson ..... D12/176  
D743,858 S \* 11/2015 Sugiura ..... D12/176  
D743,860 S \* 11/2015 Nagumo ..... D12/176  
2004/0084291 A1 \* 5/2004 Adachi ..... B60Q 1/1461  
200/61.54  
2011/0030502 A1 \* 2/2011 Lathrop ..... B60K 37/06  
74/552  
2014/0217691 A1 \* 8/2014 Zeinar ..... B62D 1/16  
280/93.5  
2015/0082933 A1 \* 3/2015 Spaggiari ..... B62D 1/046  
74/484 R

\* cited by examiner

*Primary Examiner* — Rosemary K Tarca

*Assistant Examiner* — Yolanda Robinson

(74) *Attorney, Agent, or Firm* — Lucas & Mercanti, LLP;  
Klaus P. Stoffel

(57) **CLAIM**

The ornamental design for a steering wheel, as shown and described.

**DESCRIPTION**

FIG. 1 is a front, left side perspective view of the steering wheel of the present invention;  
FIG. 2 is a front view thereof;  
FIG. 3 is a rear view thereof;  
FIG. 4 is a top view thereof;  
FIG. 5 is a bottom view thereof;  
FIG. 6 is a left side view thereof; and,  
FIG. 7 is a right side view thereof.

**1 Claim, 7 Drawing Sheets**

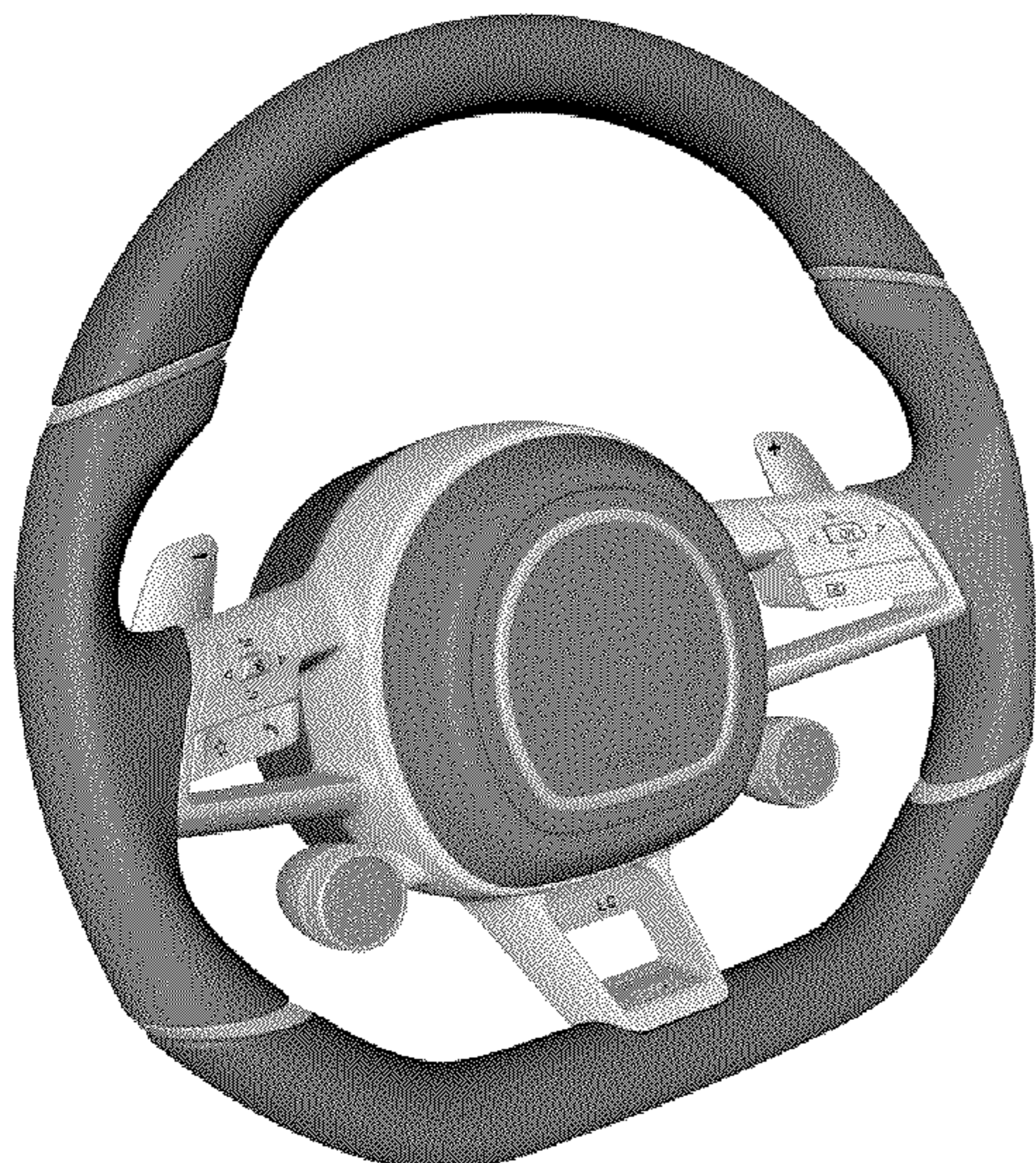




Fig. 1



Fig. 2

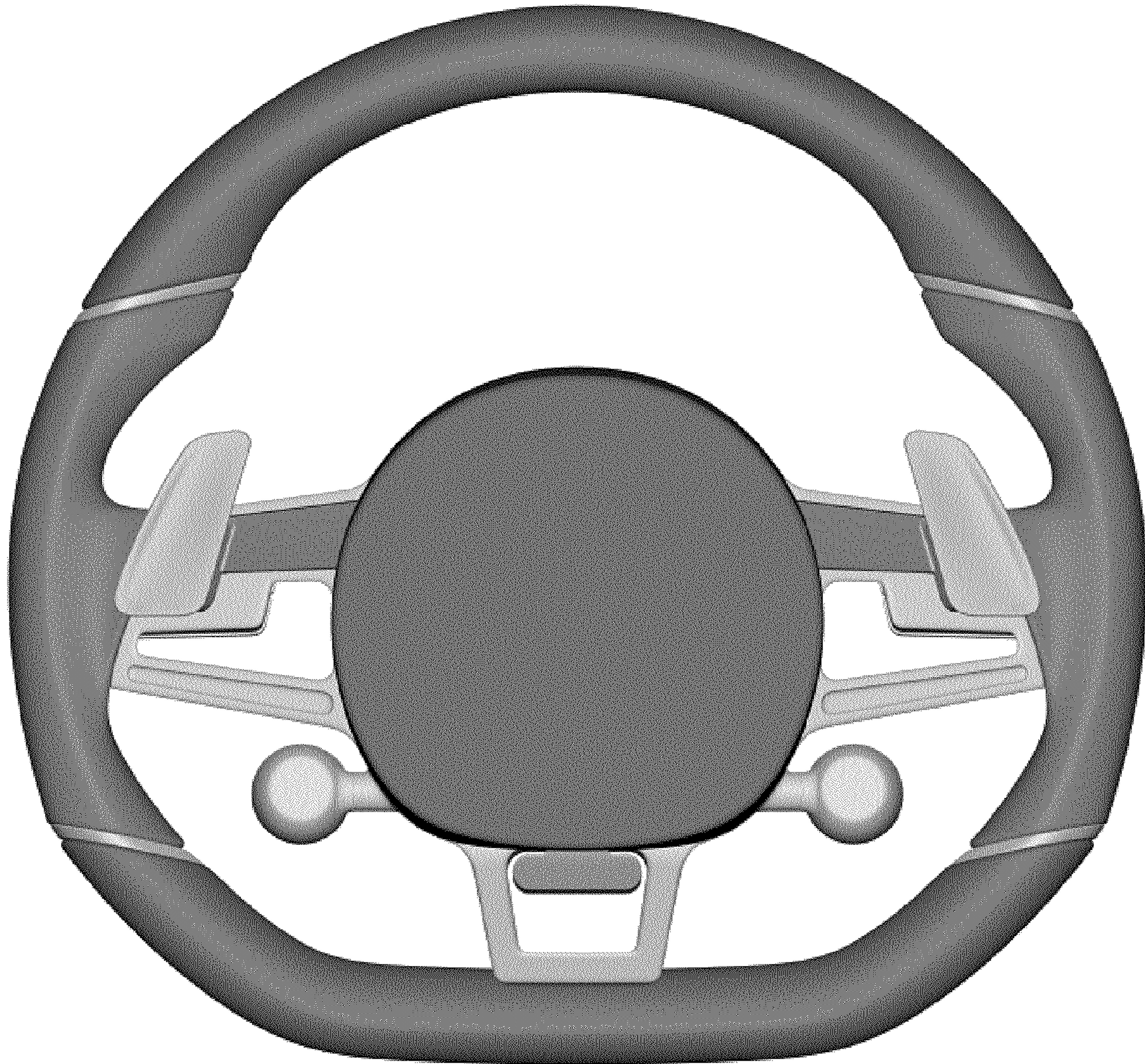
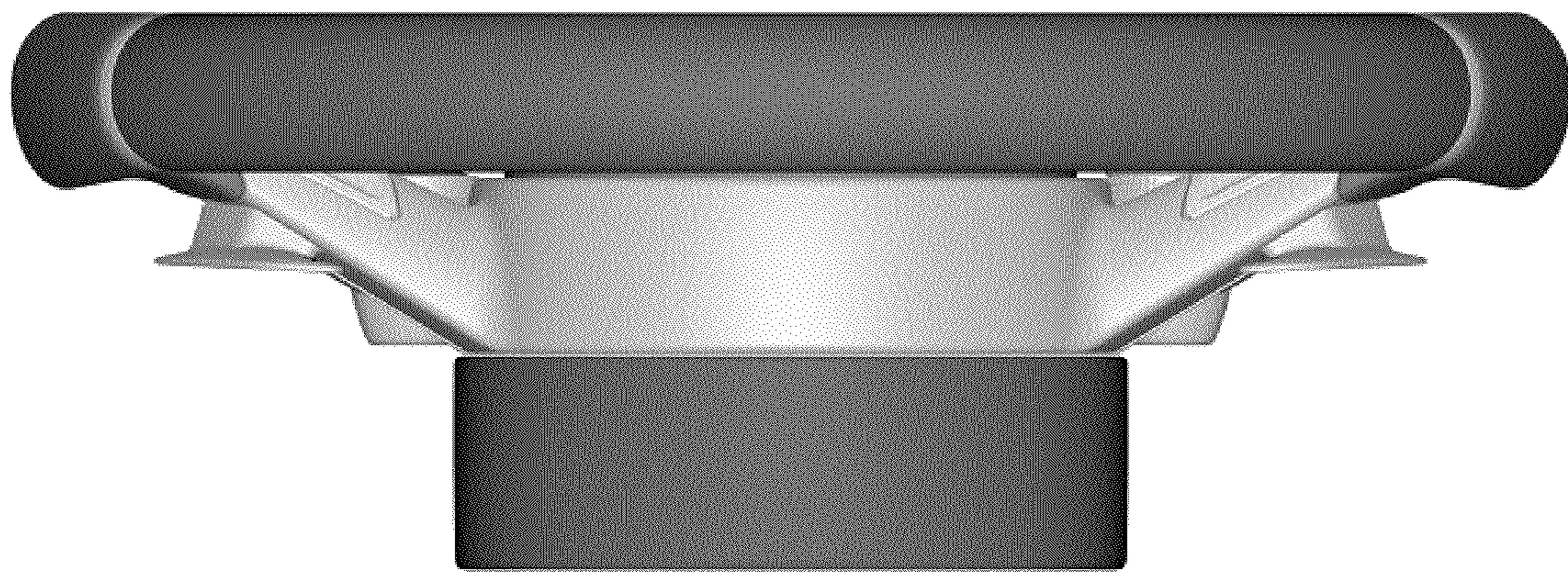
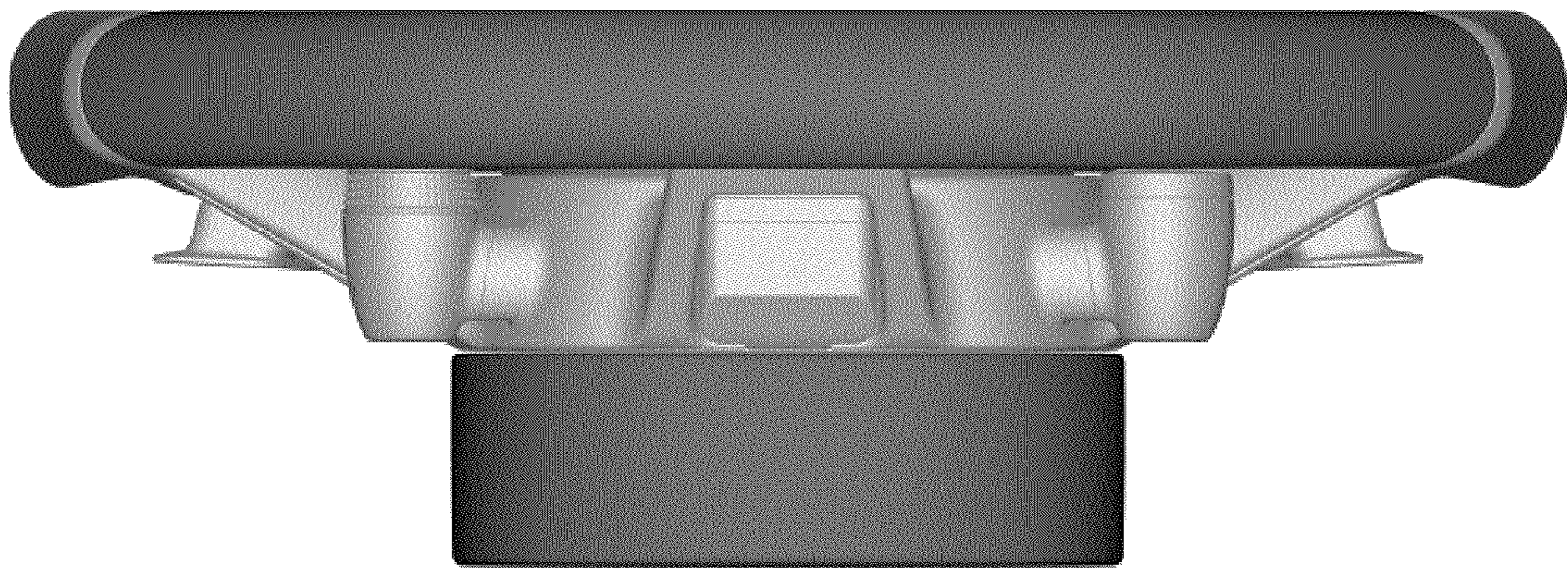


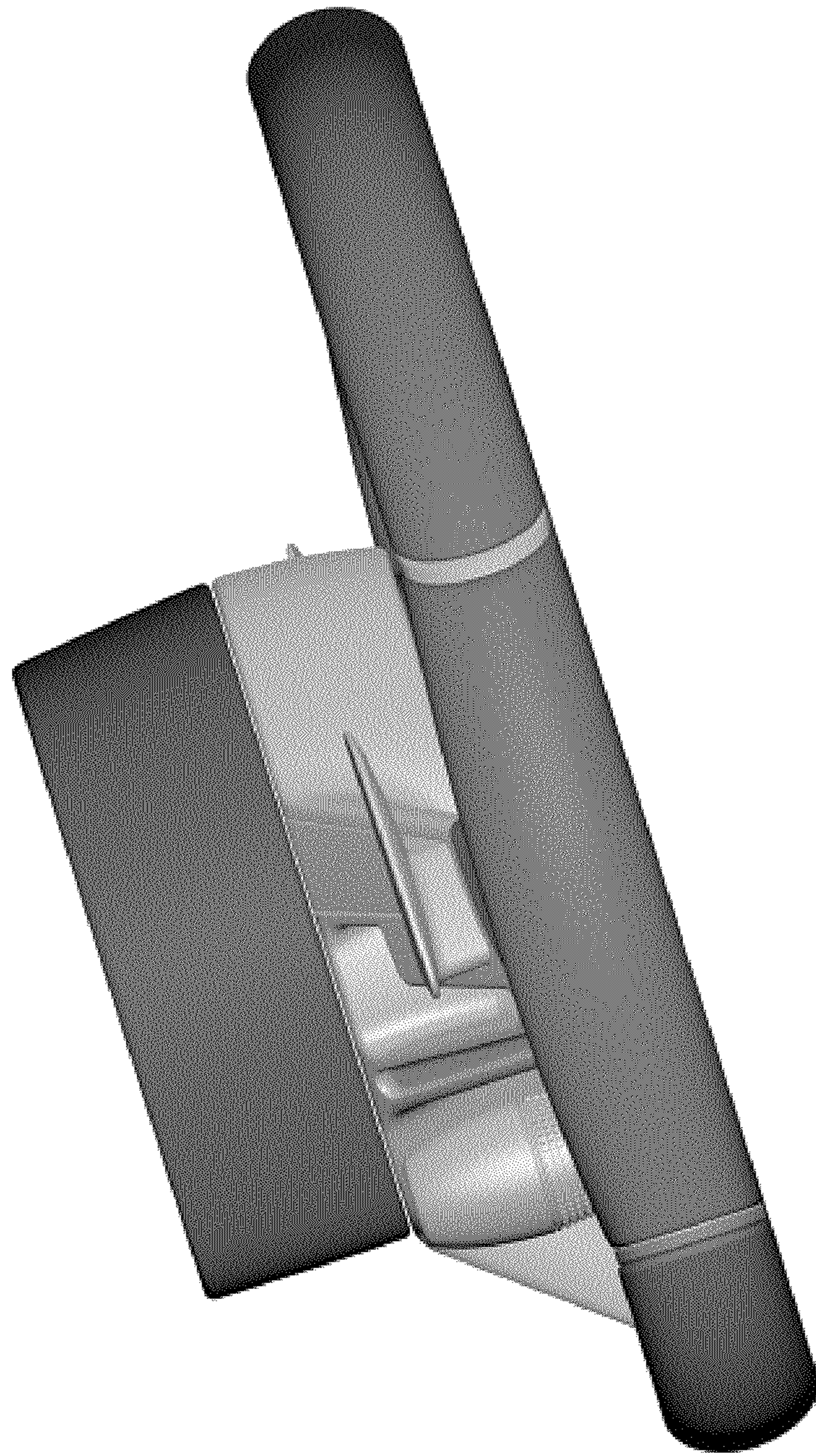
Fig. 3



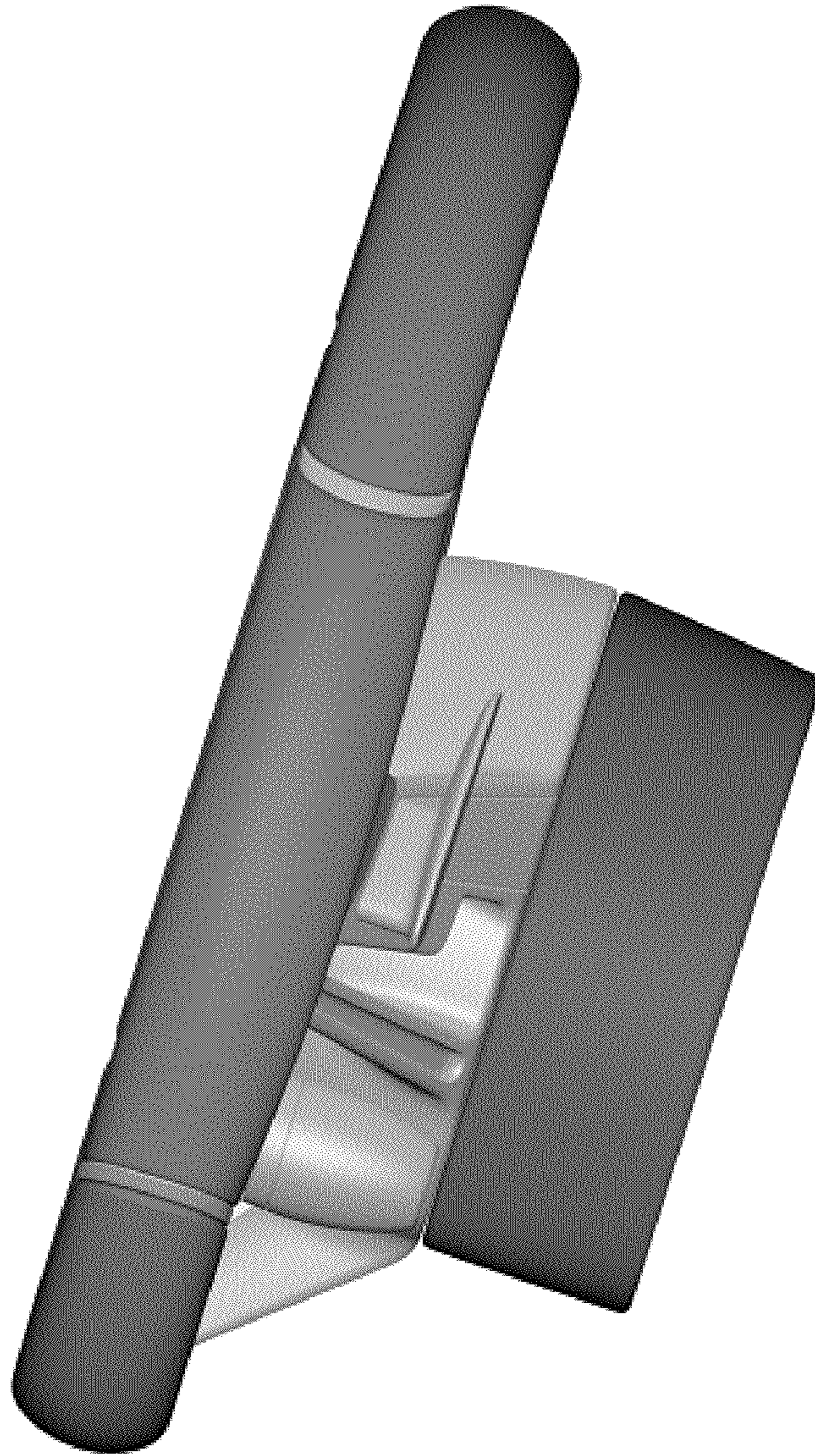
**Fig. 4**



**Fig. 5**



**Fig. 6**



**Fig. 7**