



US00D756861S

(12) **United States Design Patent**
Lee

(10) **Patent No.:** **US D756,861 S**
(45) **Date of Patent:** **** May 24, 2016**

(54) **VEHICLE BUMPER**

(71) Applicant: **Daniel H. Lee**, Missoula, MT (US)

(72) Inventor: **Daniel H. Lee**, Missoula, MT (US)

(**) Term: **14 Years**

(21) Appl. No.: **29/509,096**

(22) Filed: **Nov. 13, 2014**

(51) **LOC (10) Cl.** **12-16**

(52) **U.S. Cl.**
USPC **D12/169**

(58) **Field of Classification Search**
USPC D12/169, 216, 90-92, 86, 171, 196,
D12/163; 293/102, 113, 115, 117, 120;
296/180.1, 180.2
CPC B60R 19/52; B60R 2019/25; B60R 19/18;
B62D 25/0845
See application file for complete search history.

(56) **References Cited**

U.S. PATENT DOCUMENTS

D280,891 S * 10/1985 Belsky D12/169
D291,075 S * 7/1987 Kitahashi D12/169

D297,924 S * 10/1988 Trinnaman D12/169
D328,272 S * 7/1992 Hasmanis D12/169
5,407,239 A * 4/1995 Arai B60R 19/18
293/102
5,603,541 A * 2/1997 Wada B60R 19/18
293/102
D399,806 S * 10/1998 Lee D12/169

* cited by examiner

Primary Examiner — Melody N Brown

(74) *Attorney, Agent, or Firm* — Jean Kyle

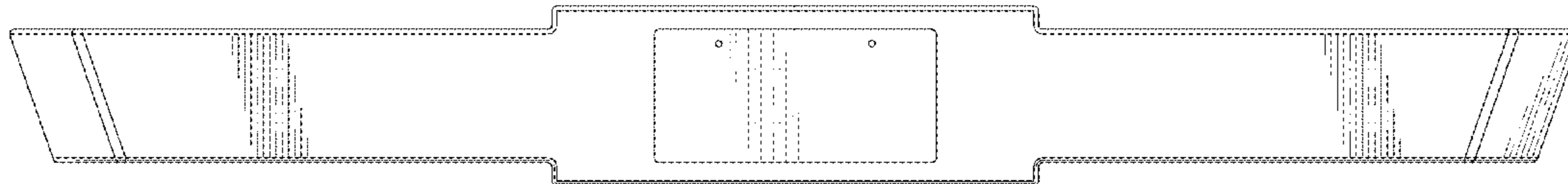
(57) **CLAIM**

The ornamental design for a vehicle bumper, as shown and described.

DESCRIPTION

FIG. 1 is a top perspective view of the vehicle bumper showing my new design;
FIG. 2 is a top plan view thereof;
FIG. 3 is a front elevational view thereof;
FIG. 4 is a rear elevational view thereof;
FIG. 5 is a bottom plan view thereof;
FIG. 6 is a right side elevational view thereof;
FIG. 7 is a left side elevational view thereof; and,
FIG. 8 is a cross-sectional view through line 8-8 of FIG. 4.

1 Claim, 3 Drawing Sheets



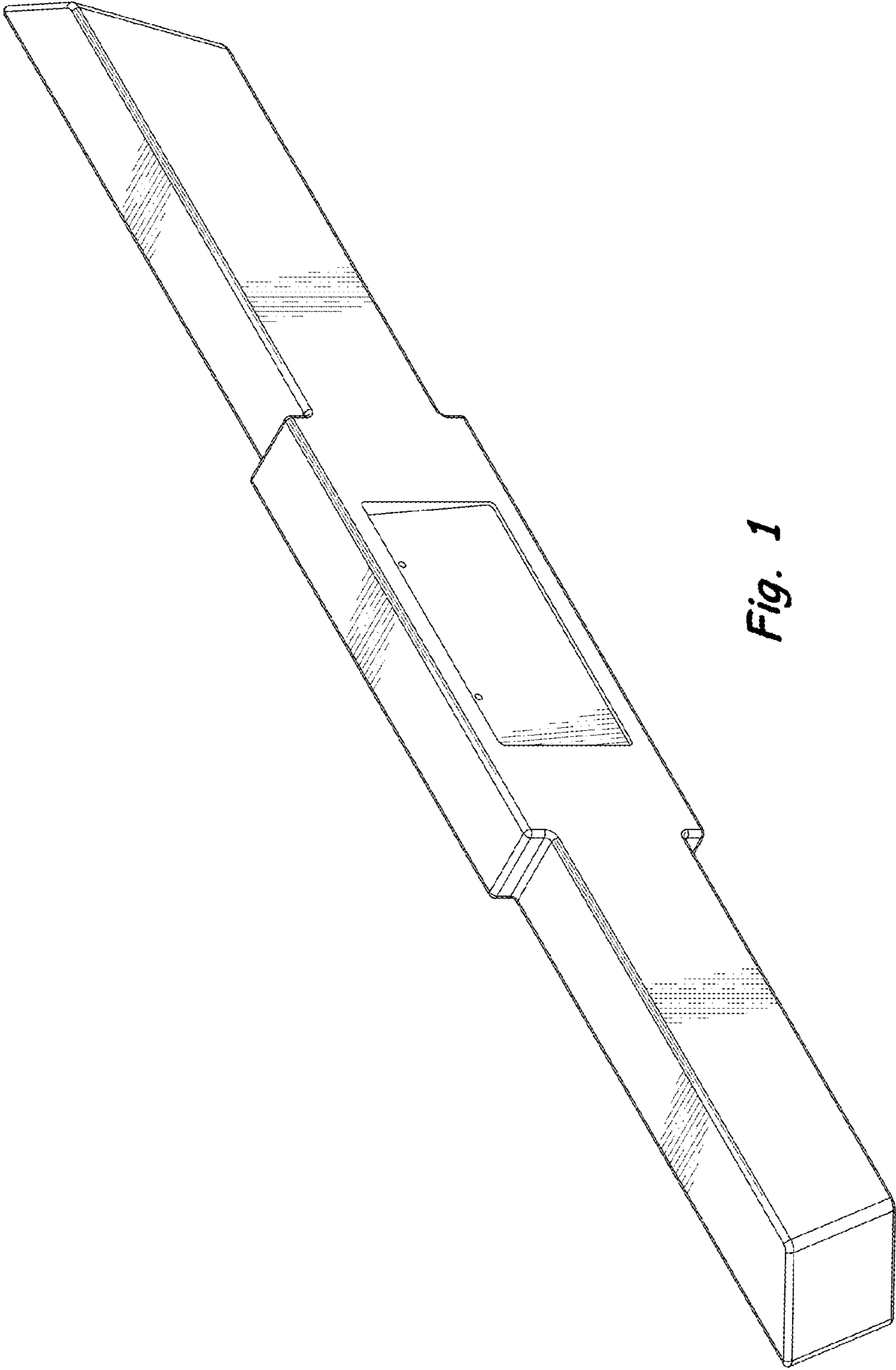


Fig. 1

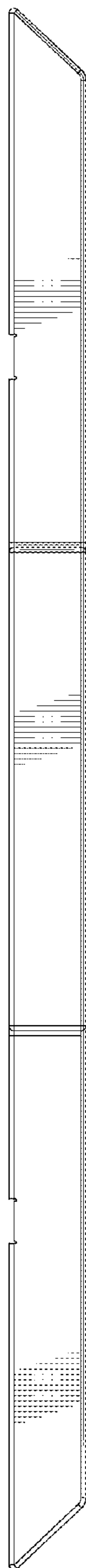


Fig. 2

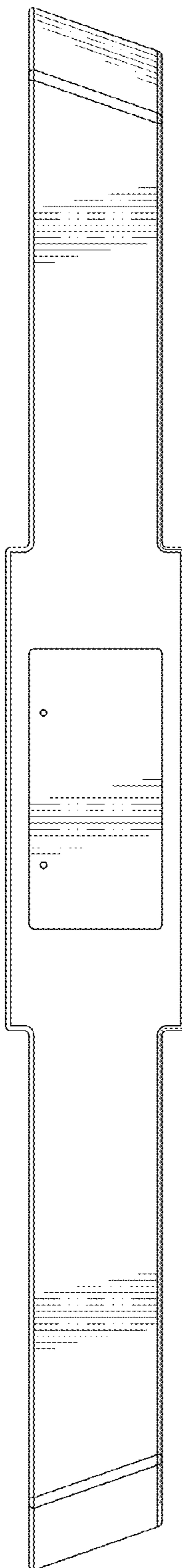


Fig. 3

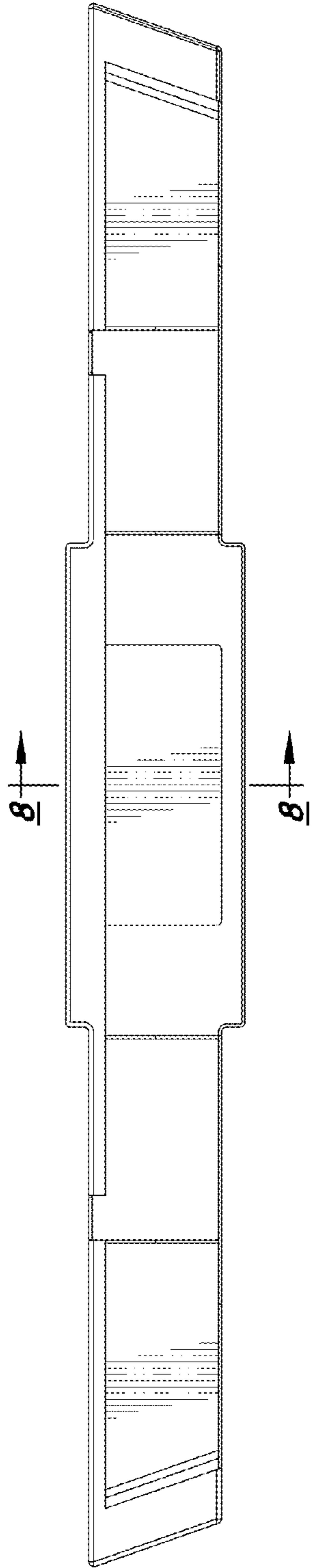


Fig. 4

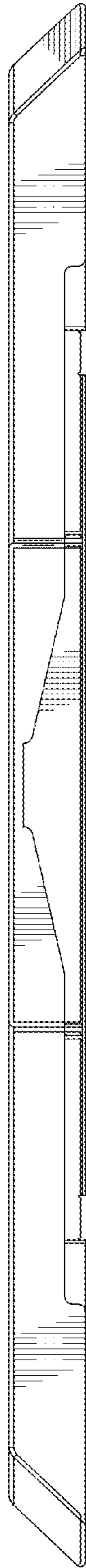


Fig. 5

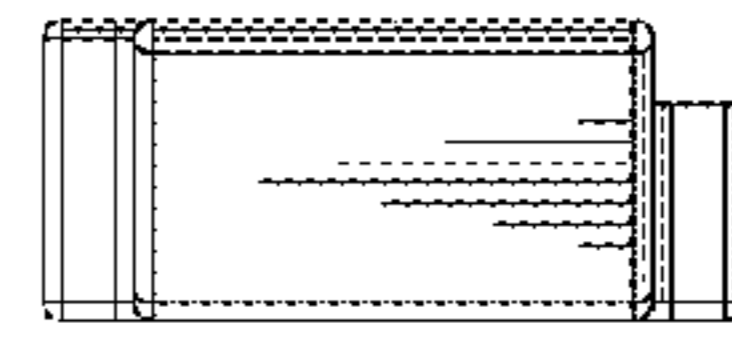


Fig. 7

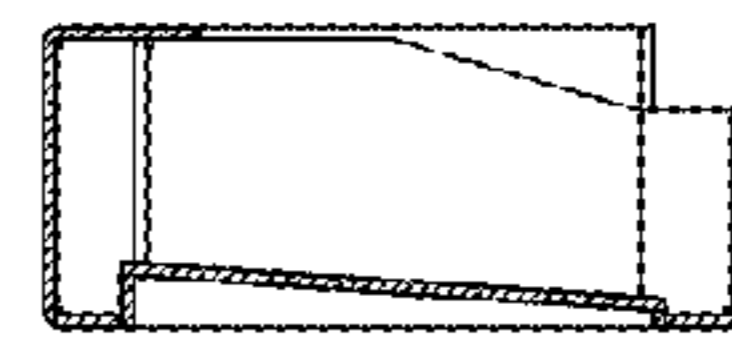


Fig. 8

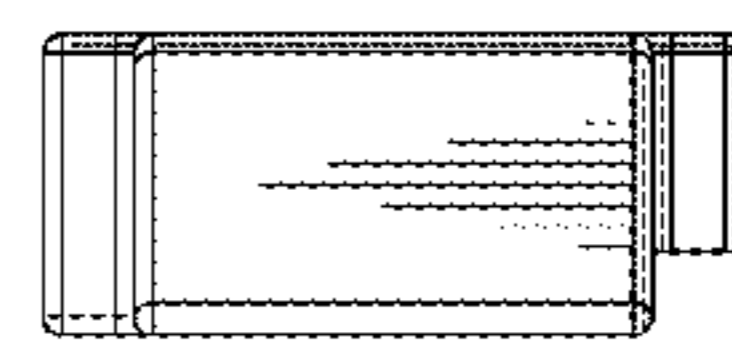


Fig. 6