

US00D756860S

(12) **United States Design Patent**  
**Behmer et al.**

(10) **Patent No.:** **US D756,860 S**

(45) **Date of Patent:** **\*\* May 24, 2016**

(54) **VEHICLE HITCH COVER**

(71) Applicant: **Ford Motor Company**, Dearborn, MI (US)

(72) Inventors: **Darrell Behmer**, Novi, MI (US); **Henry Bernardo**, Southfield, MI (US); **Damon Depeyster**, Northville, MI (US)

(73) Assignee: **Ford Motor Company**, Dearborn, MI (US)

(\*\*) Term: **14 Years**

(21) Appl. No.: **29/508,887**

(22) Filed: **Nov. 12, 2014**

(51) **LOC (10) Cl.** ..... **12-16**

(52) **U.S. Cl.**  
USPC ..... **D12/169**

(58) **Field of Classification Search**  
USPC ..... D12/169, 216, 90-92, 86, 171, 196,  
D12/163; 293/102, 113, 115, 117, 120;  
296/180.1, 180.2  
CPC . B60R 19/52; B60R 2019/25; B62D 25/0845  
See application file for complete search history.

(56) **References Cited**

**U.S. PATENT DOCUMENTS**

D570,748 S \* 6/2008 Nakamura ..... D12/169  
D571,265 S \* 6/2008 Suzuki ..... D12/169

D573,067 S \* 7/2008 Ho ..... D12/163  
D720,667 S \* 1/2015 Platto ..... D12/163  
D740,730 S \* 10/2015 Peltola ..... D12/169  
D744,390 S \* 12/2015 Vena ..... D12/169

**OTHER PUBLICATIONS**

Jason Udy. Spied: Refreshed 2016 Ford Explorer Loses Some Camo. Oct. 11, 2014 [online], [retrieved on Nov. 3, 2014] Retrieved from the Internet <URL: [http://wot.motortrend.com/1410\\_spied\\_refreshed\\_2016\\_ford\\_explorer\\_loses\\_some\\_camo.html](http://wot.motortrend.com/1410_spied_refreshed_2016_ford_explorer_loses_some_camo.html)>.  
2016 Ford Explorer SUV Review. [retrieved on Nov. 3, 2014] Retrieved from the Internet <URL: <http://www.edmunds.com/ford/explorer/2016/>>.

\* cited by examiner

*Primary Examiner* — Melody Brown

(74) *Attorney, Agent, or Firm* — Damian Porcari

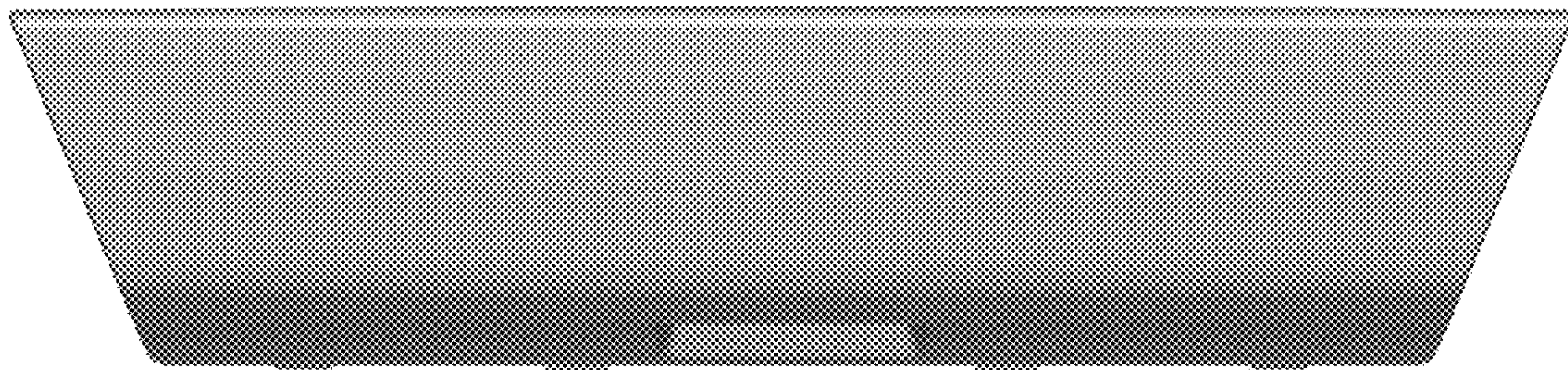
(57) **CLAIM**

The ornamental design for a vehicle hitch cover, as shown and described.

**DESCRIPTION**

FIG. 1 is a top left perspective view of a vehicle hitch cover; FIG. 2 is a top right perspective view thereof; FIG. 3 is a top rear perspective view thereof; FIG. 4 is a front elevational view thereof; FIG. 5 is a rear elevational view thereof; FIG. 6 is a left side elevational view thereof; FIG. 7 is a right side elevational view thereof; FIG. 8 is a top plan view thereof; and, FIG. 9 is a bottom plan view thereof.

**1 Claim, 9 Drawing Sheets**



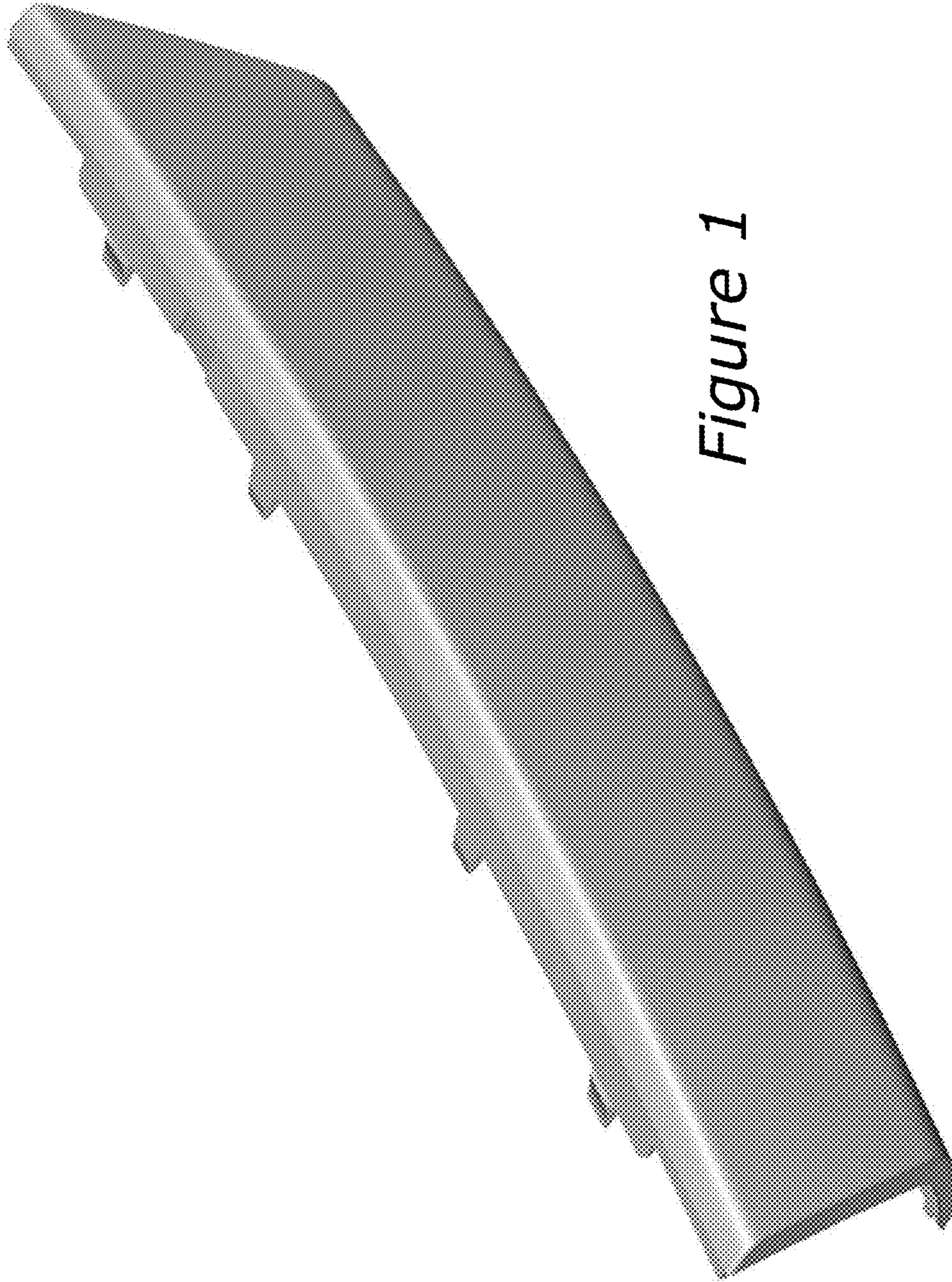


Figure 1



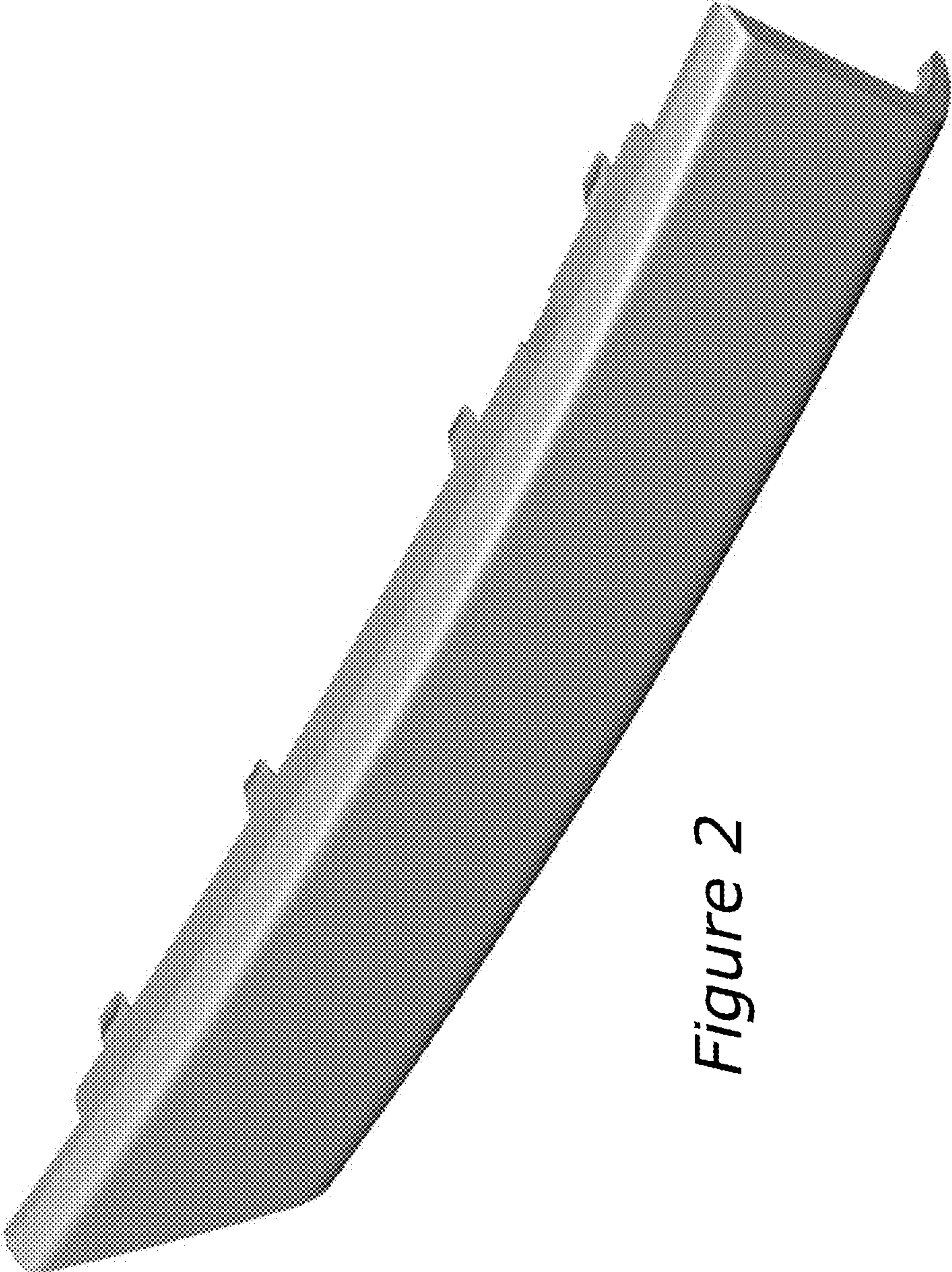
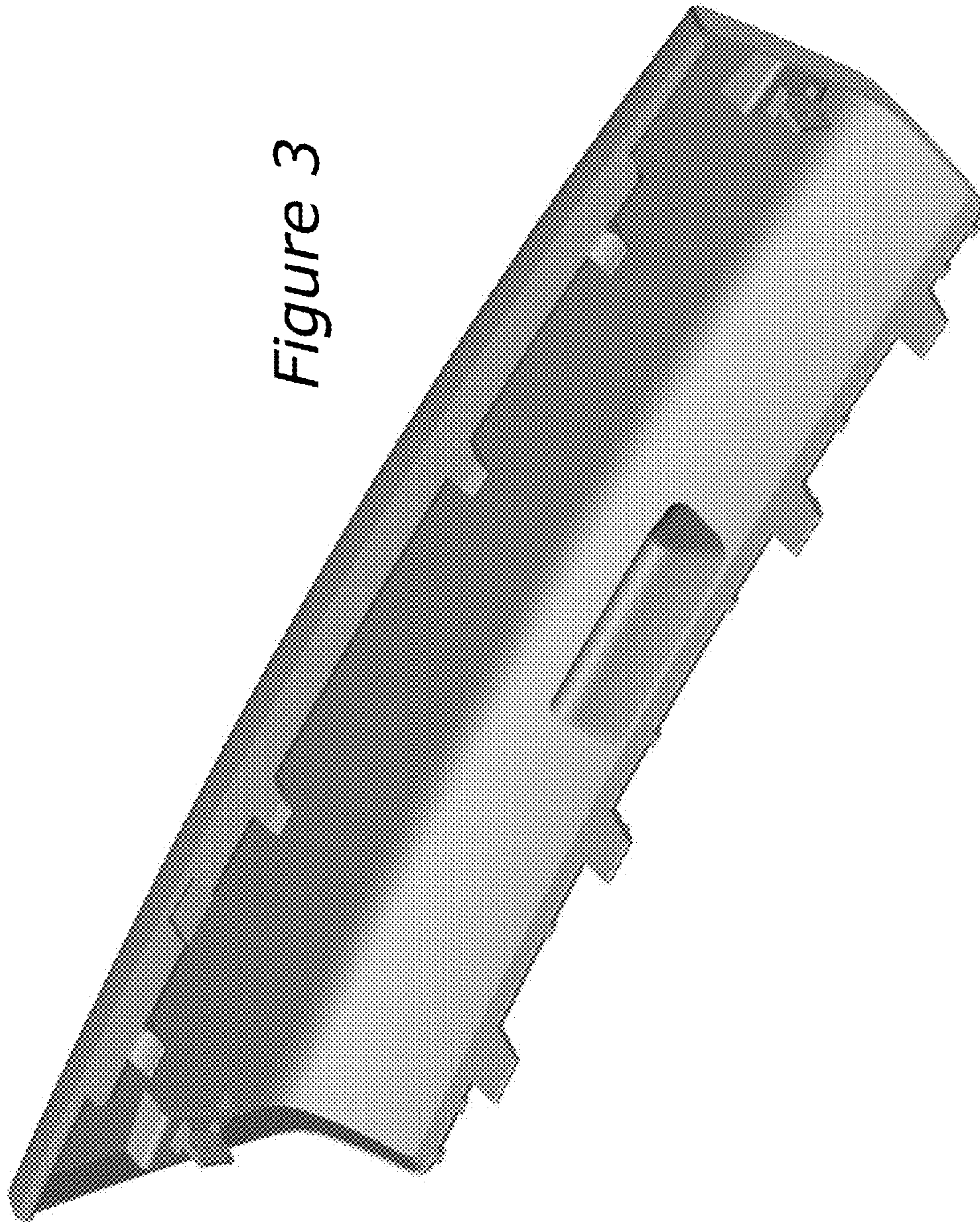


Figure 2

Figure 3





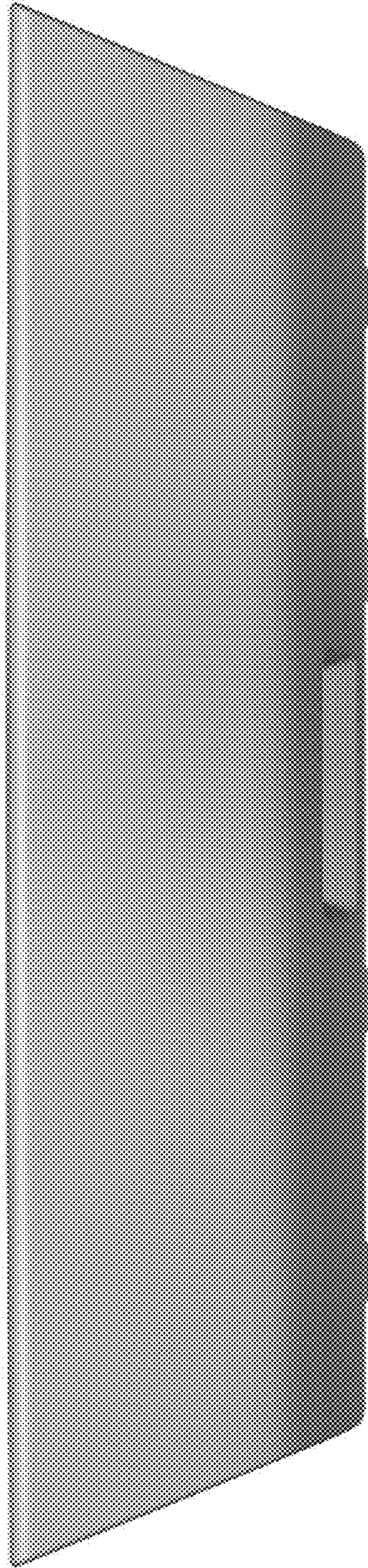


Figure 4



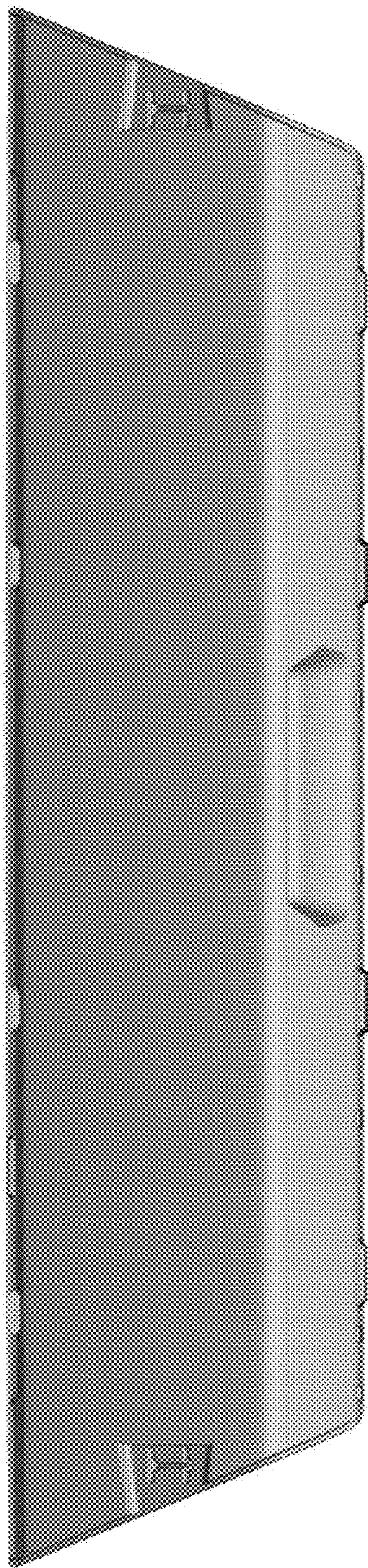


Figure 5

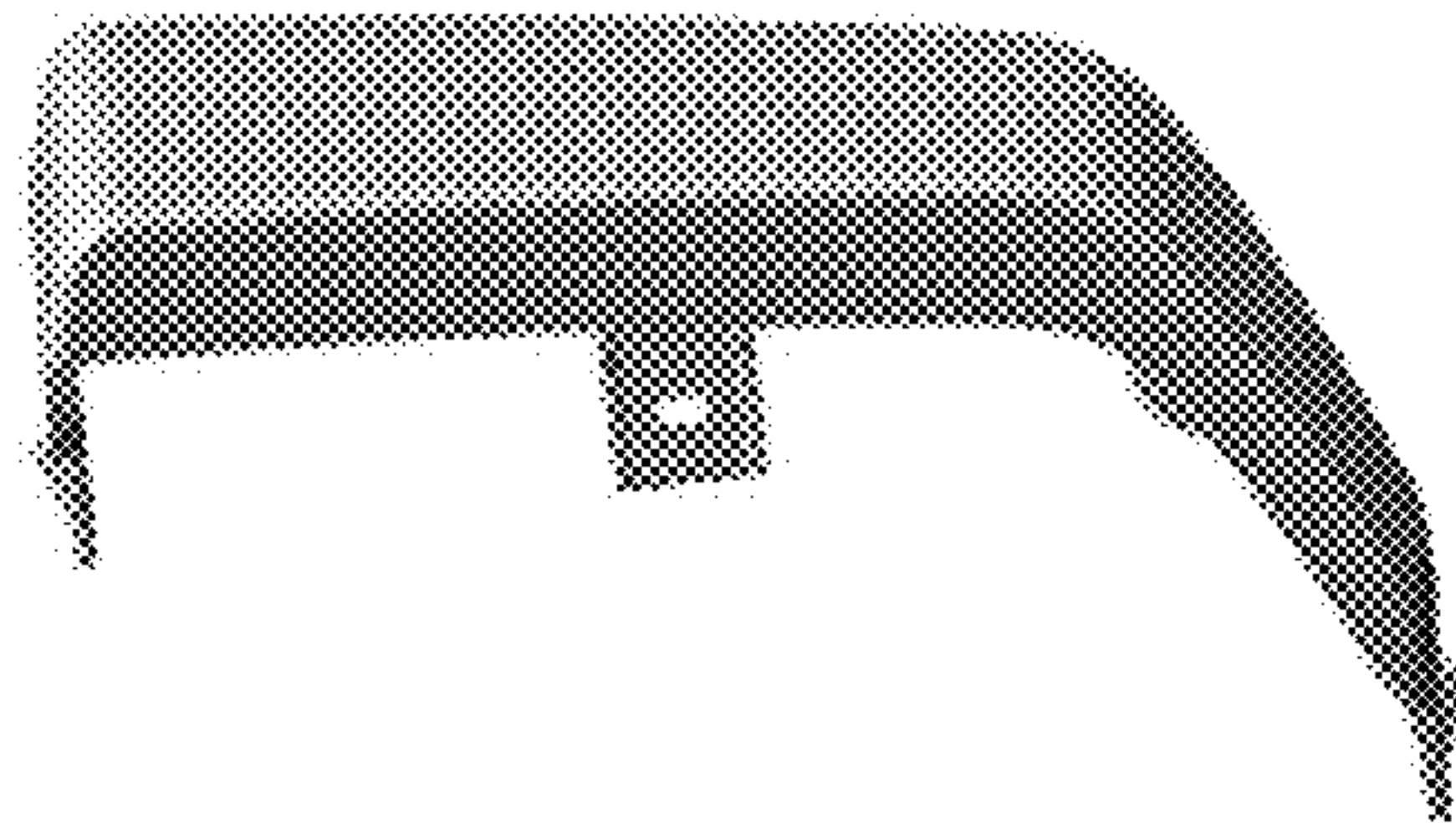


Figure 6

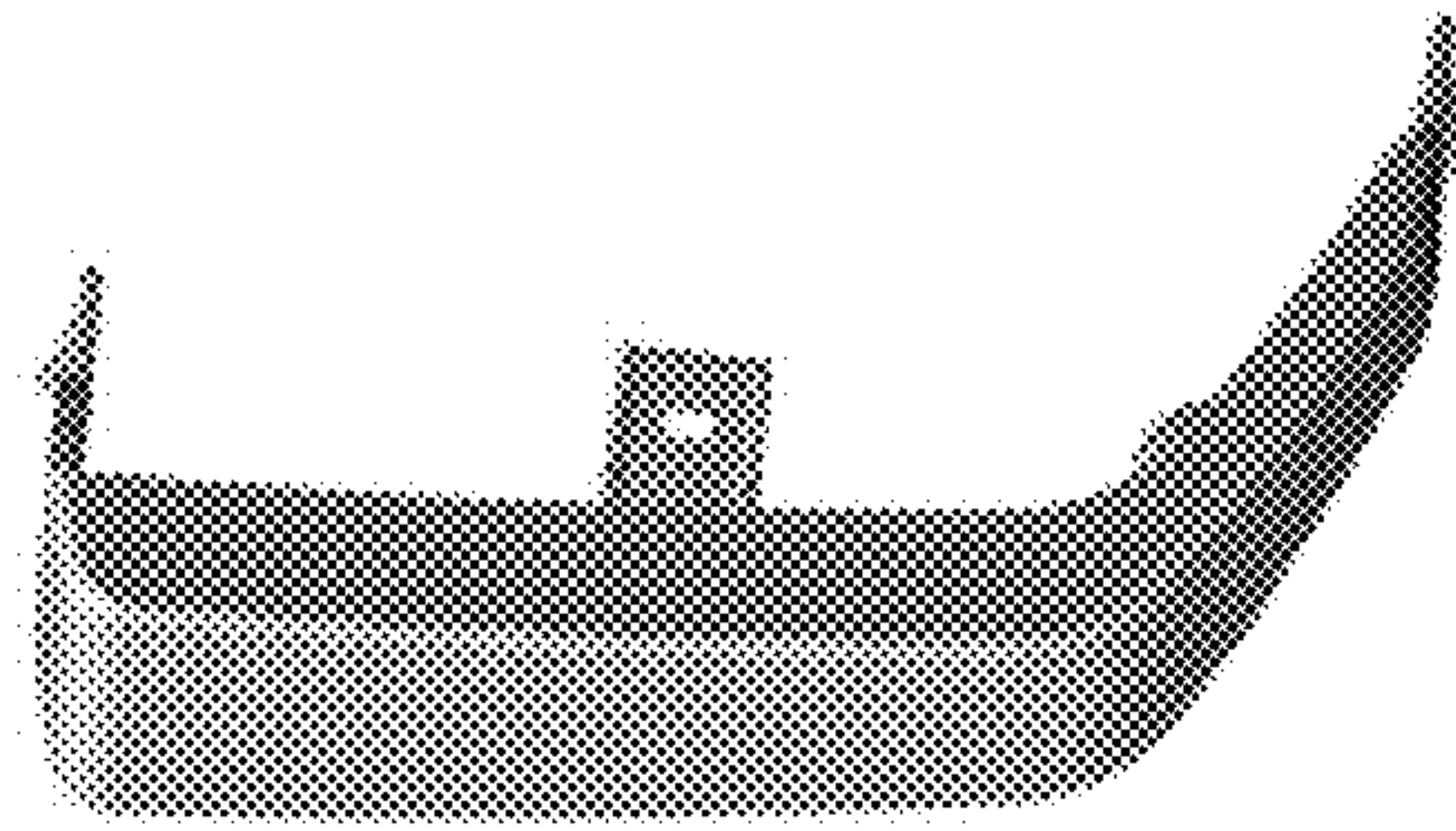


Figure 7



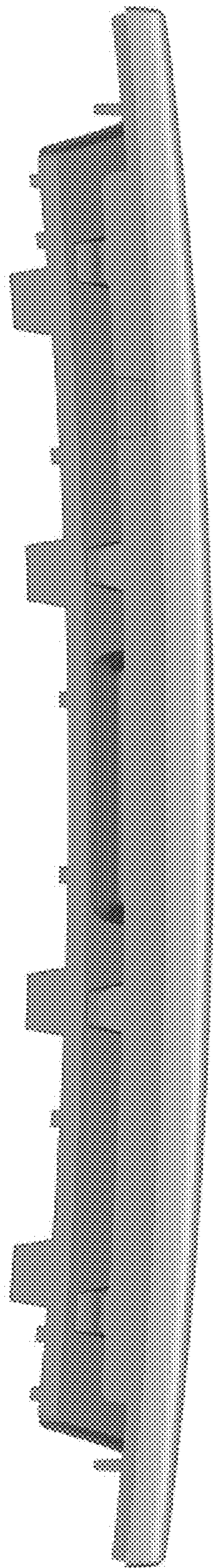


Figure 8

Figure 9

