



US00D756859S

(12) **United States Design Patent**
Malina et al.

(10) **Patent No.:** **US D756,859 S**

(45) **Date of Patent:** **** May 24, 2016**

- (54) **VEHICLE PROTECTOR**
- (71) Applicants: **Ronnie Malina**, Nanuet, NY (US); **Eric Malina**, Nanuet, NY (US)
- (72) Inventors: **Ronnie Malina**, Nanuet, NY (US); **Eric Malina**, Nanuet, NY (US)
- (**) Term: **14 Years**
- (21) Appl. No.: **29/508,873**
- (22) Filed: **Nov. 12, 2014**
- (51) **LOC (10) Cl.** **12-16**
- (52) **U.S. Cl.**
USPC **D12/167**; D12/193; D12/401
- (58) **Field of Classification Search**
USPC D12/193, 401-405; D6/300-302, D6/309-314; D20/13; 40/200-204, 40/207-214; 135/88.01, 88.1, 91, 93, 95; 150/165-167; 160/370.21, 370.22; 280/770; 296/77.1, 84.1, 95.1, 136.01; 348/148, 373
CPC G09F 7/00; G09F 7/02; G06K 9/325; B60P 3/36; B60R 13/10; B60R 13/105; B60R 19/44; B60Q 1/56
See application file for complete search history.

- 5,829,775 A * 11/1998 Maxwell B60P 3/36 280/507
- D485,528 S * 1/2004 Gray D12/401
- D496,322 S * 9/2004 Farney D12/401
- D566,023 S * 4/2008 Pacleb D12/193
- D599,726 S * 9/2009 Pacleb D12/193
- D617,259 S * 6/2010 Malina D12/401
- D633,837 S * 3/2011 Murray D12/193
- D709,806 S * 7/2014 Musgrove D12/167
- D709,813 S * 7/2014 MacNeil D12/193
- D718,690 S * 12/2014 Marksteiner D12/193
- 2010/0276951 A1 * 11/2010 Malina B60R 19/44 293/142
- 2013/0047476 A1 * 2/2013 Malina B60R 13/105 40/209
- 2015/0135567 A1 * 5/2015 Malina B60R 13/105 40/209

* cited by examiner

Primary Examiner — Philip S Hyder

Assistant Examiner — Darlington Ly

(74) *Attorney, Agent, or Firm* — Jeffrey Sonnabend; SonnabendLaw

(57) **CLAIM**

The ornamental design for a vehicle protector, as shown and described.

DESCRIPTION

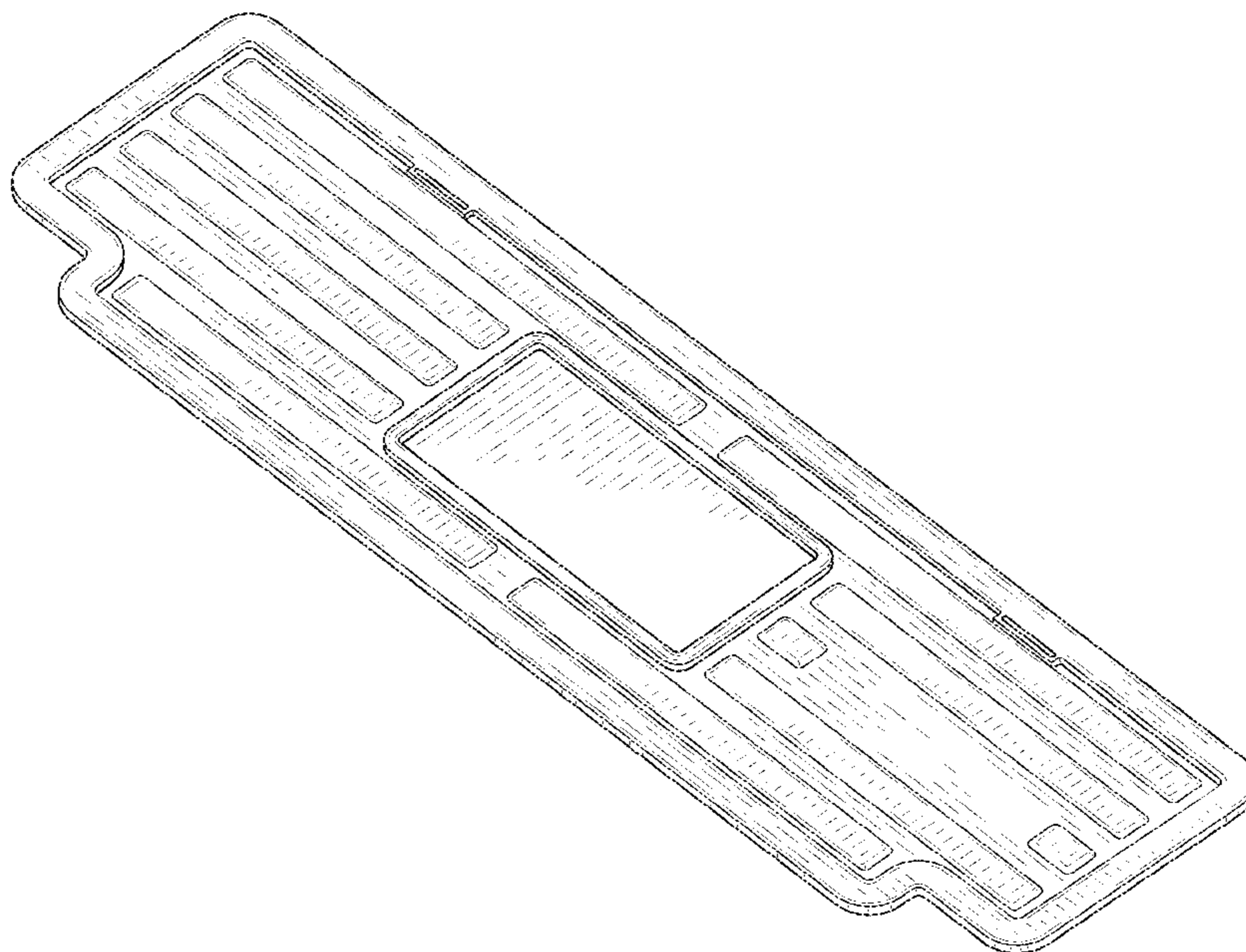
FIG. 1 is a front isometric view of the vehicle protector in accordance with our new design;
FIG. 2 is a top plan view thereof;
FIG. 3 is a bottom plan view thereof;
FIG. 4 is a side elevation view thereof; and,
FIG. 5 is a front elevation view thereof.

1 Claim, 5 Drawing Sheets

(56) **References Cited**

U.S. PATENT DOCUMENTS

- D245,497 S * 8/1977 Ritch D12/193
- D247,962 S * 5/1978 Hunter D12/193
- D323,639 S * 2/1992 Creamer D12/401
- D333,490 S * 2/1993 Engelberts D12/193



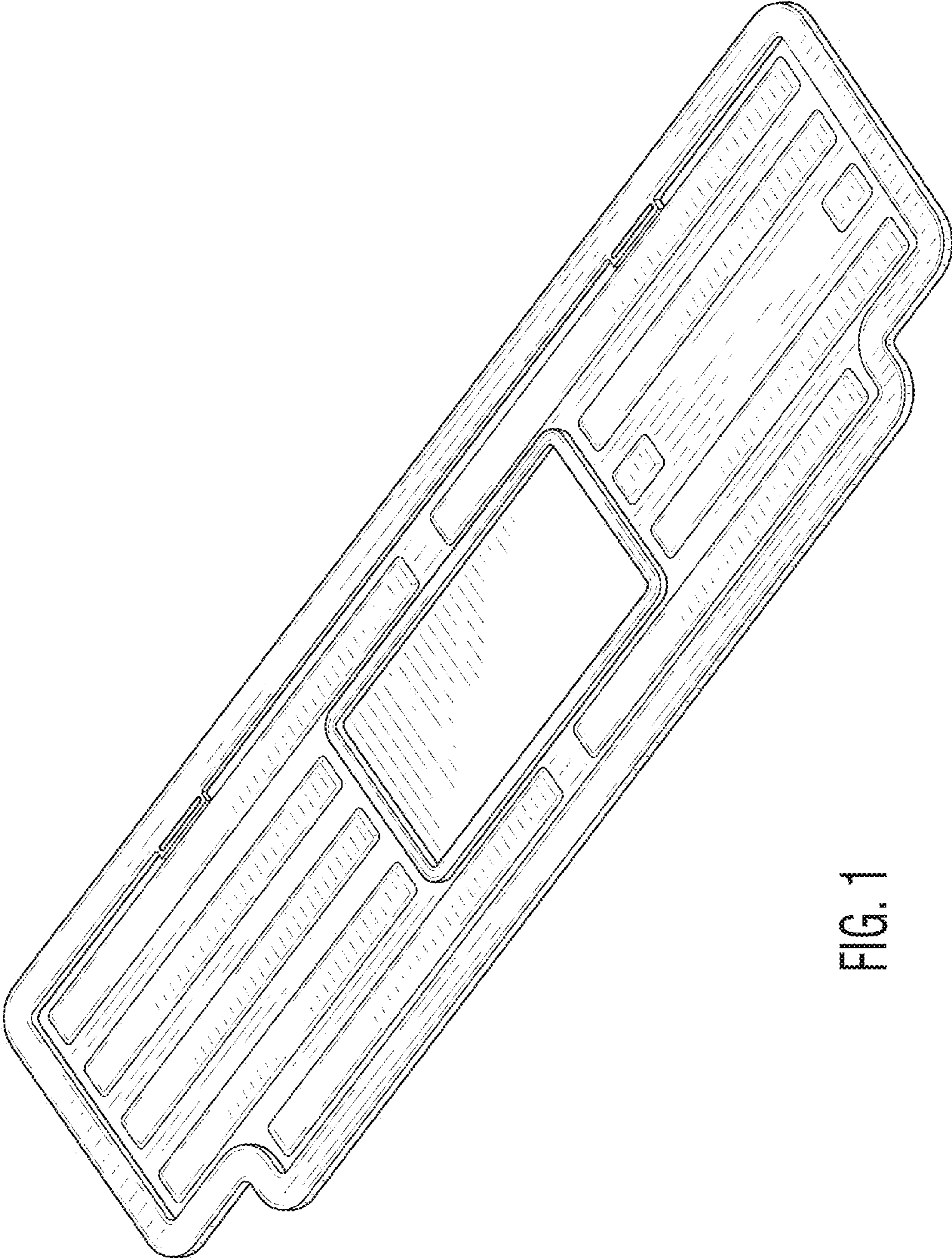


FIG. 1

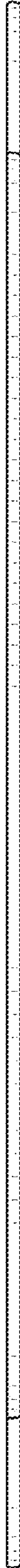


FIG. 2

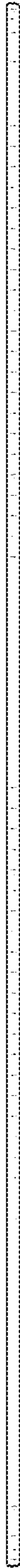


FIG. 3

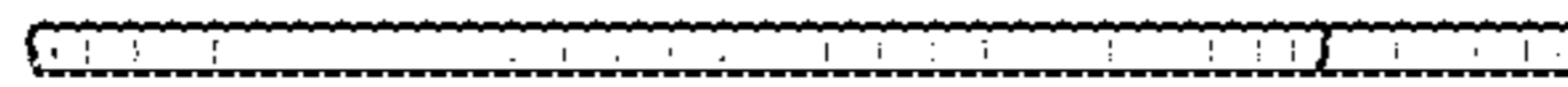


FIG. 4

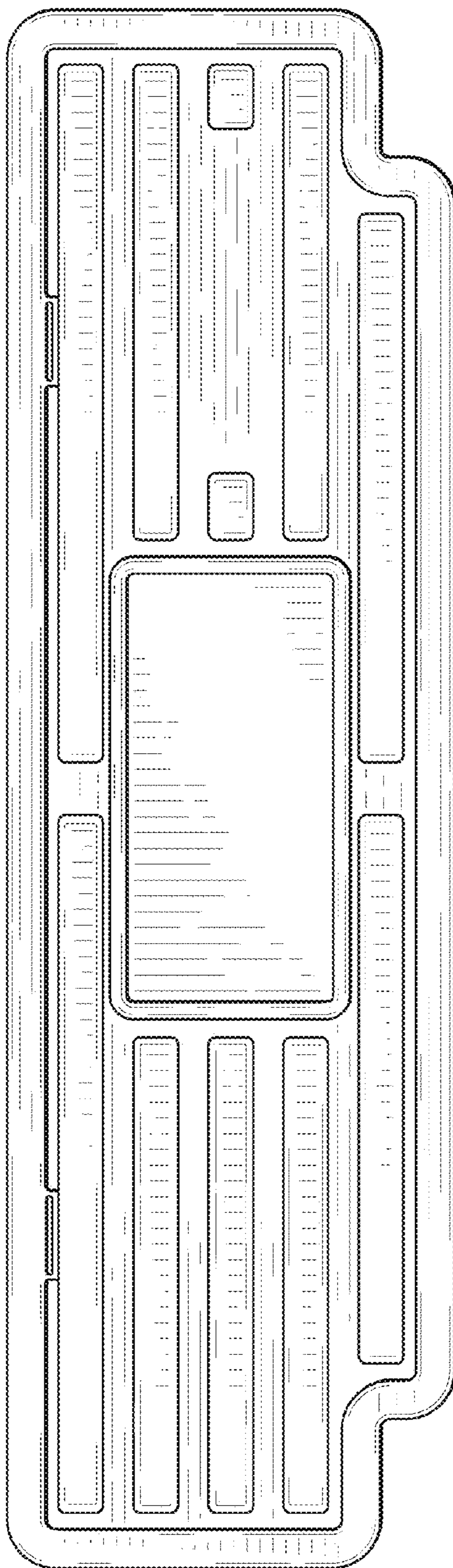


FIG. 5