



US00D756858S

(12) **United States Design Patent**
Malina et al.

(10) **Patent No.:** **US D756,858 S**

(45) **Date of Patent:** **** May 24, 2016**

- (54) **VEHICLE PROTECTOR**
- (71) Applicants: **Ronnie Malina**, Nanuet, NY (US); **Eric Malina**, Nanuet, NY (US)
- (72) Inventors: **Ronnie Malina**, Nanuet, NY (US); **Eric Malina**, Nanuet, NY (US)
- (**) Term: **14 Years**
- (21) Appl. No.: **29/508,862**
- (22) Filed: **Nov. 12, 2014**
- (51) **LOC (10) Cl.** **12-16**
- (52) **U.S. Cl.**
USPC **D12/167**; D12/193; D12/401
- (58) **Field of Classification Search**
USPC D12/193, 401-405; D6/300-302, D6/309-314; D20/13; 40/200-204, 40/207-214; 135/88.01, 88.1, 91, 93, 95; 150/165-167; 160/370.21, 370.22; 280/770; 296/77.1, 84.1, 95.1, 136.01; 348/148, 373
CPC G09F 7/00; G09F 7/02; G06K 9/325; B60P 3/36; B60R 13/10; B60R 13/105; B60R 19/44; B60Q 1/56
See application file for complete search history.

5,829,775 A *	11/1998	Maxwell	B60P 3/36
				280/507
D485,528 S *	1/2004	Gray	D12/401
D496,322 S *	9/2004	Farney	D12/401
D566,023 S *	4/2008	Pacleb	D12/193
D599,726 S *	9/2009	Pacleb	D12/193
D617,259 S *	6/2010	Malina	D12/401
D633,837 S *	3/2011	Murray	D12/193
D709,806 S *	7/2014	Musgrove	D12/167
D709,813 S *	7/2014	MacNeil	D12/193
D718,690 S *	12/2014	Marksteiner	D12/193
2010/0276951 A1 *	11/2010	Malina	B60R 19/44
				293/142
2013/0047476 A1 *	2/2013	Malina	B60R 13/105
				40/209
2015/0135567 A1 *	5/2015	Malina	B60R 13/105
				40/209

* cited by examiner

Primary Examiner — Philip S Hyder
Assistant Examiner — Darlington Ly
(74) *Attorney, Agent, or Firm* — Jeffrey Sonnabend; SonnabendLaw

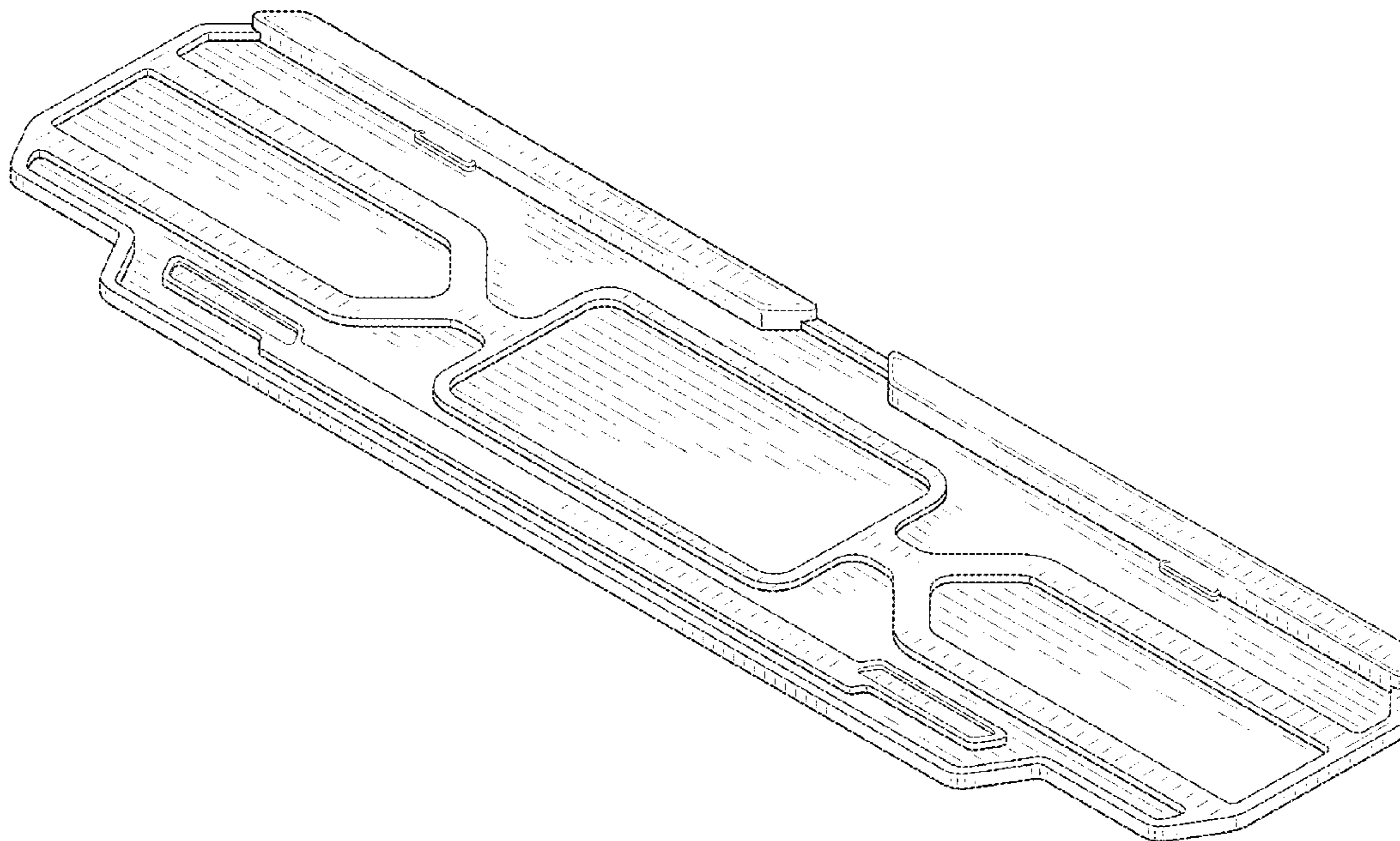
(57) **CLAIM**
The ornamental design for a vehicle protector, as shown and described.

DESCRIPTION

FIG. 1 is a front isometric view of the vehicle protector in accordance with our new design;
FIG. 2 is a top plan view thereof;
FIG. 3 is a bottom plan view thereof;
FIG. 4 is a side elevation view thereof; and,
FIG. 5 is a front elevation view thereof.

1 Claim, 5 Drawing Sheets

- (56) **References Cited**
U.S. PATENT DOCUMENTS
D245,497 S * 8/1977 Ritch D12/193
D247,962 S * 5/1978 Hunter D12/193
D323,639 S * 2/1992 Creamer D12/401
D333,490 S * 2/1993 Engelberts D12/193



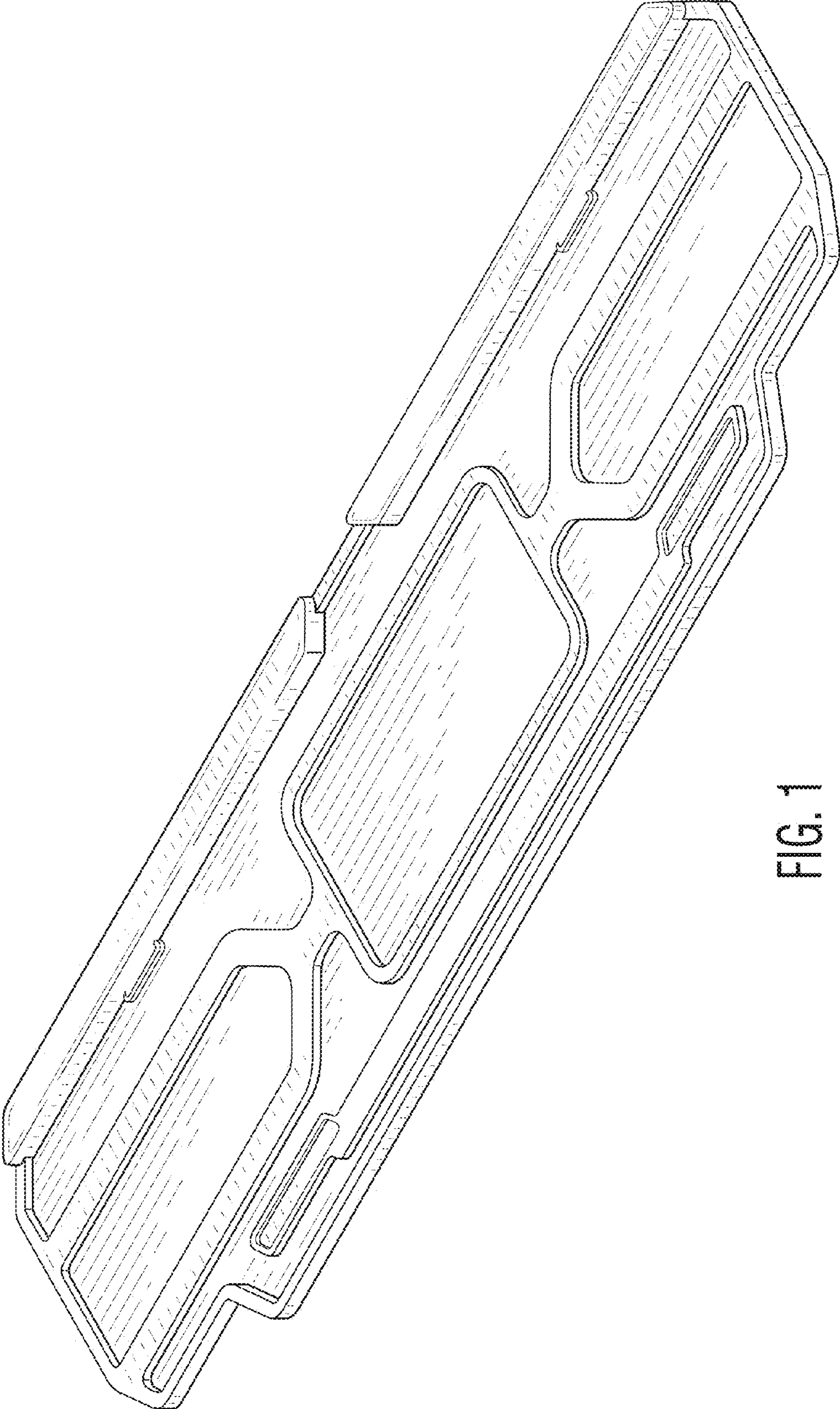


FIG. 1



FIG. 2



FIG. 3

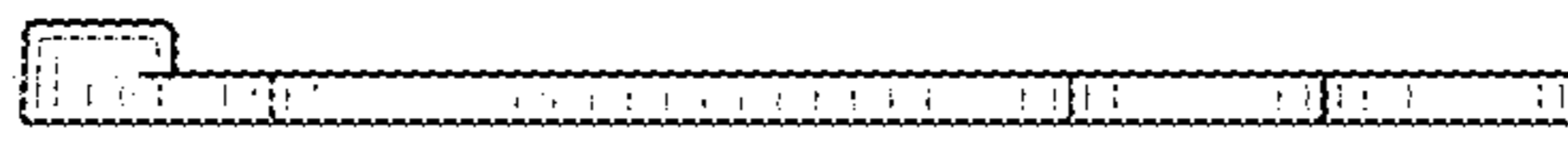


FIG. 4

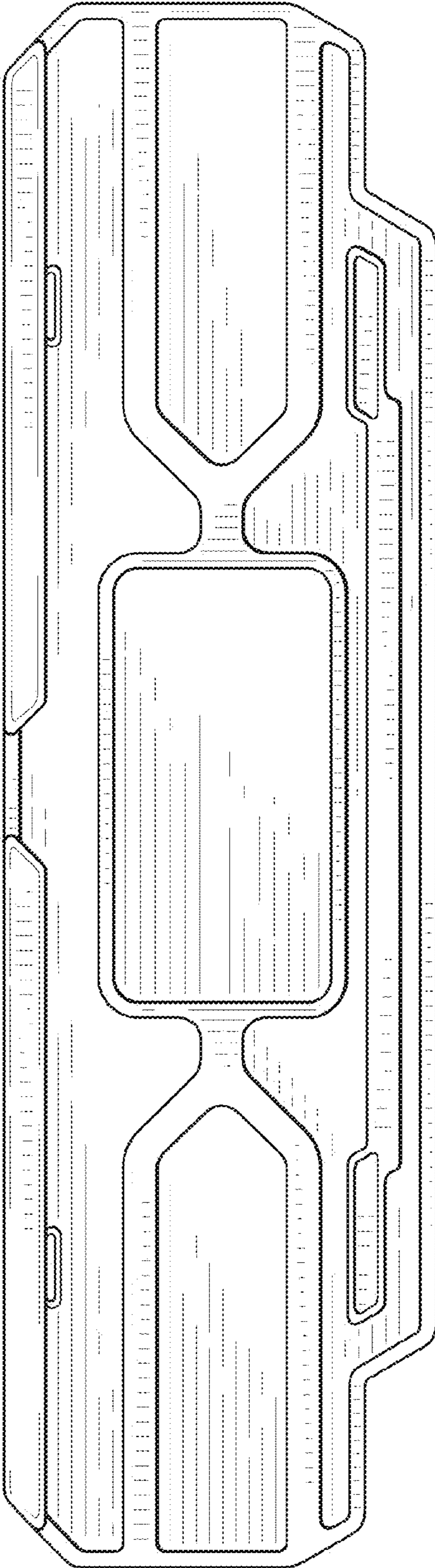


FIG. 5