



US00D756856S

(12) **United States Design Patent**
Miyazawa

(10) **Patent No.:** **US D756,856 S**
(45) **Date of Patent:** **** May 24, 2016**

(54) **GRILL FOR AN AUTOMOBILE**

(71) Applicant: **Honda Motor Co., Ltd.**, Tokyo (JP)
(72) Inventor: **Takuya Miyazawa**, Wako (JP)
(73) Assignee: **HONDA MOTOR CO., LTD.**, Tokyo (JP)

(**) Term: **14 Years**

(21) Appl. No.: **29/511,726**
(22) Filed: **Dec. 12, 2014**

(30) **Foreign Application Priority Data**
Jun. 13, 2014 (JP) 2014-012856

(51) **LOC (10) Cl.** **12-16**
(52) **U.S. Cl.**
USPC **D12/163**
(58) **Field of Classification Search**
USPC D12/163, 196, 86, 90-92, 171, 169,
D12/216; 180/68.1, 68.6; 293/193.11
CPC B62D 25/08; B62B 9/16; B60K 11/08;
B60R 19/52

See application file for complete search history.

(56) **References Cited**

U.S. PATENT DOCUMENTS

D636,302 S * 4/2011 Kido D12/163
D640,610 S * 6/2011 Schell D12/163
D645,795 S * 9/2011 Ishibashi D12/163
D645,796 S * 9/2011 Osawa D12/163
D665,315 S * 8/2012 Matsuno D12/163
D665,710 S * 8/2012 Matsuno D12/163
D680,918 S * 4/2013 Yamada D12/163
D682,165 S * 5/2013 Yoshinaga D12/163

* cited by examiner

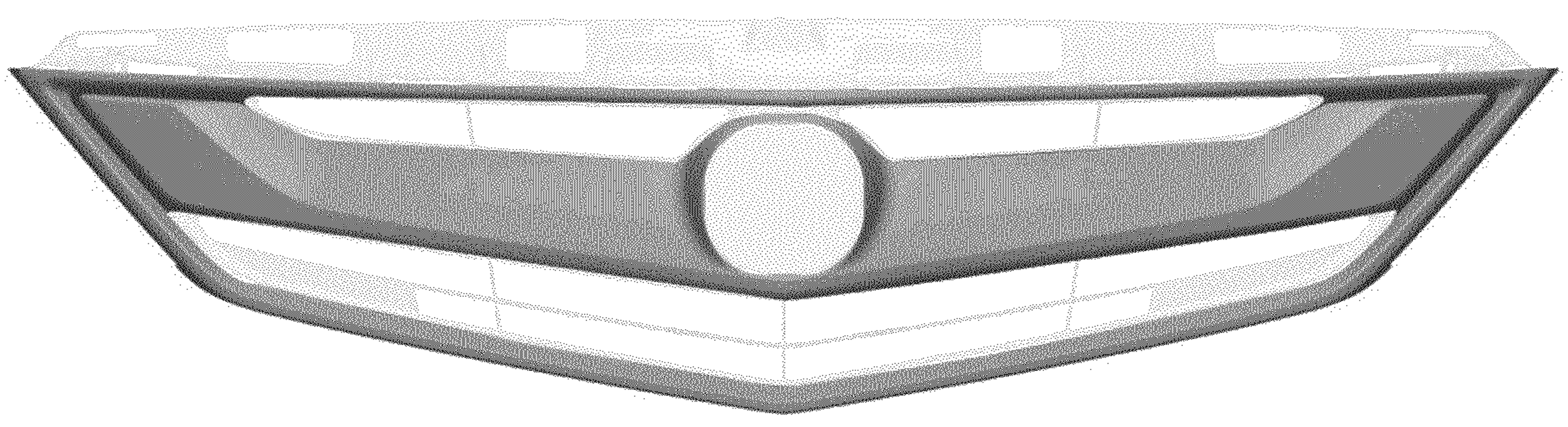
Primary Examiner — Melody N. Brown
(74) *Attorney, Agent, or Firm* — Westerman, Hattori,
Daniels & Adrian, LLP

(57) **CLAIM**
The ornamental design for a grill for an automobile, as shown and described.

DESCRIPTION

FIG. 1 is a perspective view of a grill for an automobile showing my new design;
FIG. 2 is a front elevation view thereof;
FIG. 3 is a top plan view thereof; and,
FIG. 4 is a right side elevation view thereof.
The de-emphasized and halftone portions shown in the drawings illustrate environmental structure of a grill for an automobile that form no part of claimed design.

1 Claim, 4 Drawing Sheets



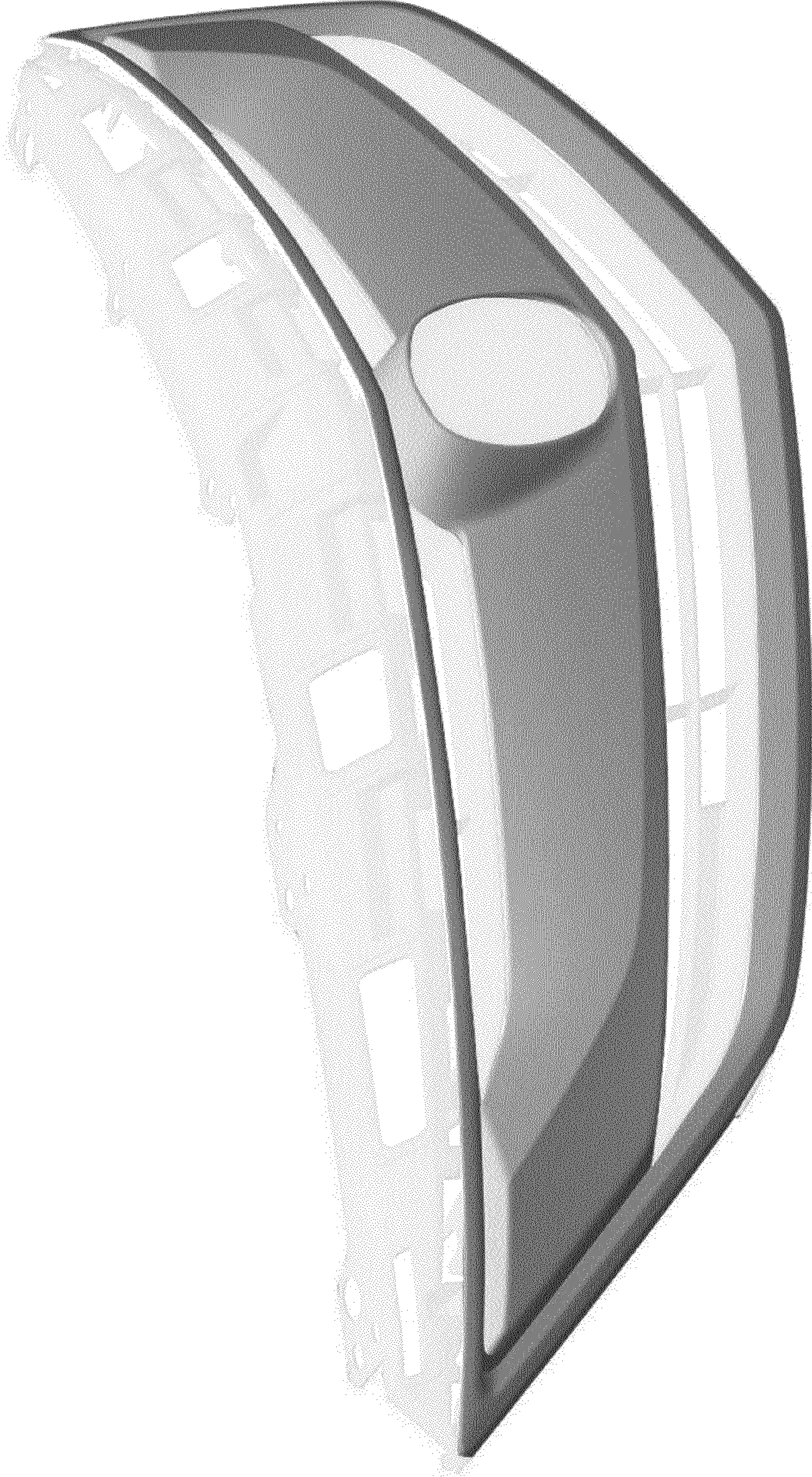


FIG. 1

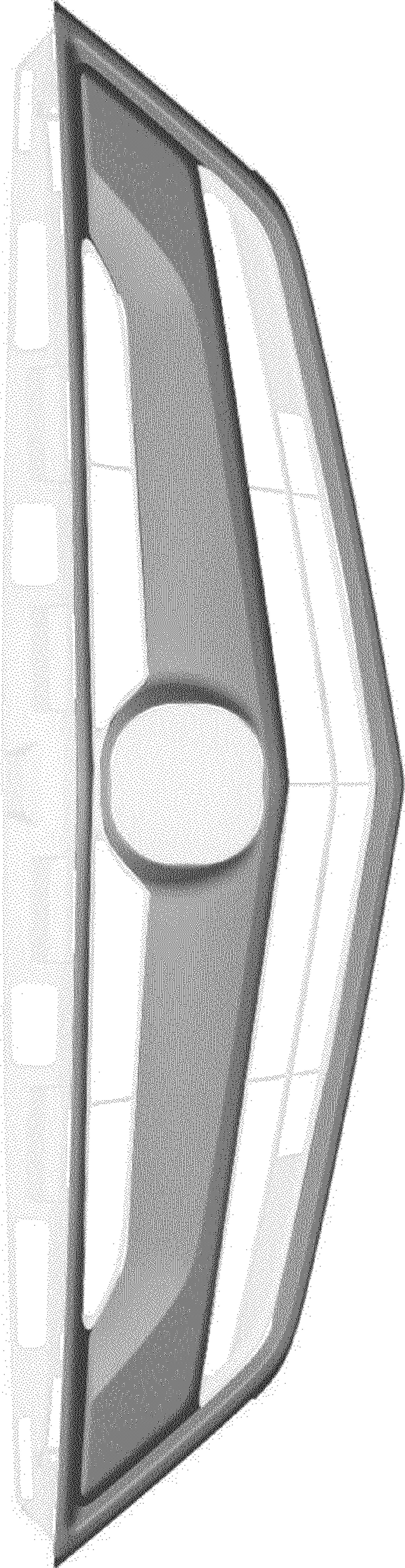


FIG. 2

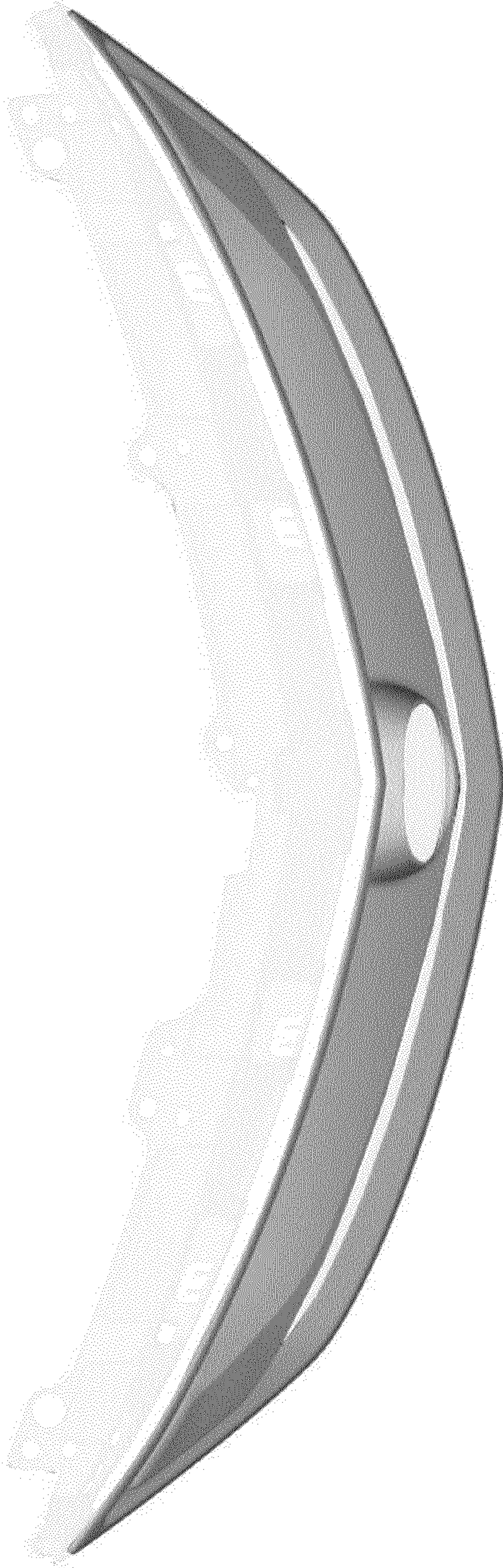


FIG. 3

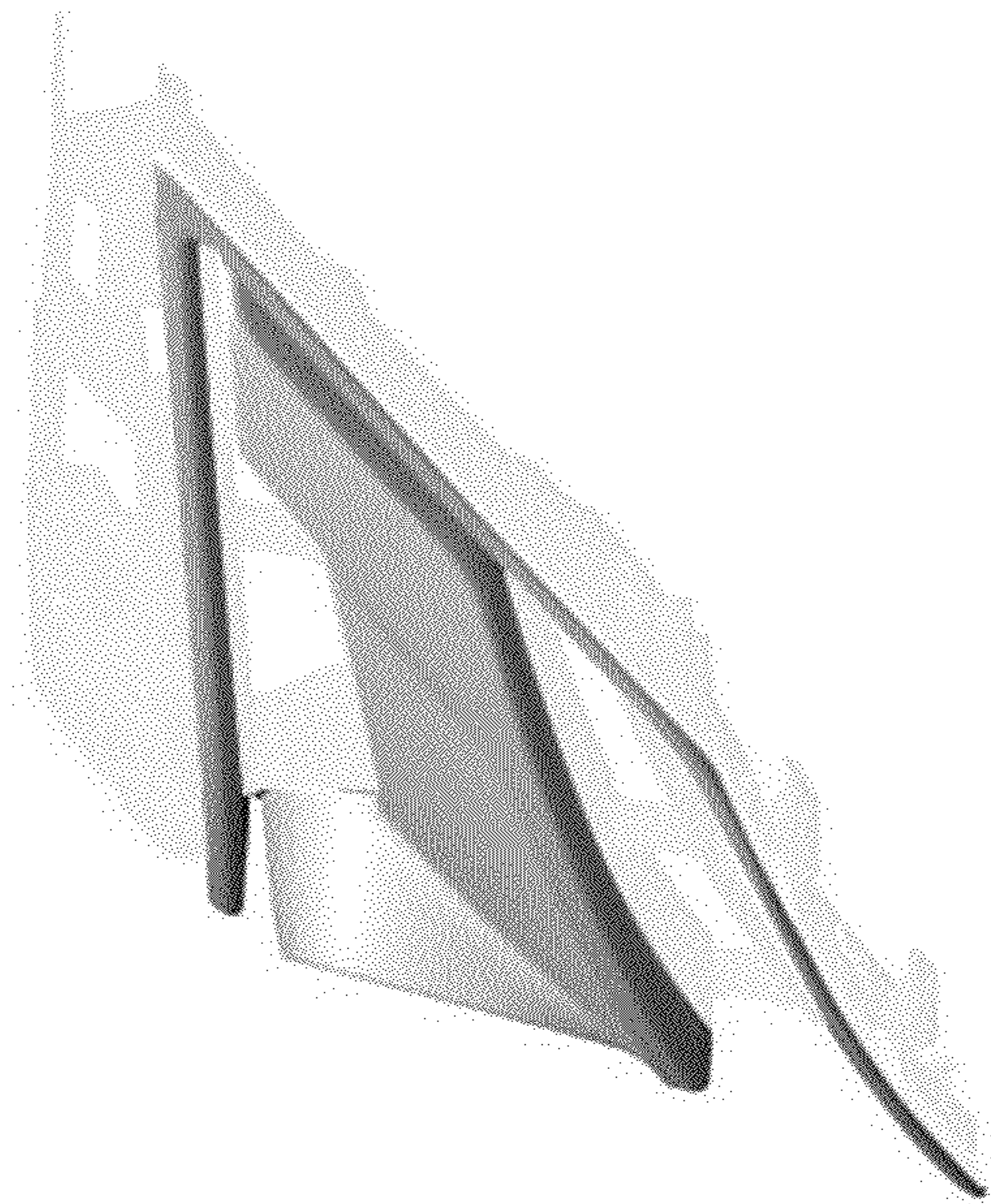


FIG. 4