



US00D756852S

(12) **United States Design Patent**
Barenbrug

(10) **Patent No.:** **US D756,852 S**
(45) **Date of Patent:** **** May 24, 2016**

(54) **RUNNER**

(71) Applicant: **Royalty Bugaboo GmbH**, Zug (CH)

(72) Inventor: **Max Barenbrug**, Amsterdam (NL)

(73) Assignee: **Royalty Bugaboo GmbH**, Zug (CH)

(**) Term: **14 Years**

(21) Appl. No.: **29/507,514**

(22) Filed: **Oct. 28, 2014**

(51) **LOC (10) Cl.** **12-12**

(52) **U.S. Cl.**
USPC **D12/129**

(58) **Field of Classification Search**
USPC D12/128–129, 130
CPC B62B 7/00–7/04; B62B 9/00–9/28
See application file for complete search history.

(56) **References Cited**

U.S. PATENT DOCUMENTS

D371,094 S *	6/1996	Hinkston	D12/129
D408,768 S *	4/1999	Baechler	D12/102
D442,895 S *	5/2001	Chiu	D12/129
D452,195 S *	12/2001	Baechler	D12/129
D475,951 S *	6/2003	Everett	D12/129
D481,976 S *	11/2003	Everett	D12/129
6,671,926 B2 *	1/2004	Huang	B62B 7/04 16/18 R
D498,713 S *	11/2004	Chou	D12/129
D498,714 S *	11/2004	Chou	D12/129
6,893,040 B2 *	5/2005	Hou	B60N 2/2845 280/642
D519,063 S *	4/2006	Chang	D12/129
D622,640 S *	8/2010	Gower	D12/129
D687,352 S *	8/2013	Shellenberger	D12/129

* cited by examiner

Primary Examiner — Susan Bennett Hattan

Assistant Examiner — Charles Hanson

(74) *Attorney, Agent, or Firm* — Fross Zelnick Lehrman and Zissu, P.C.; Charles T. J. Weigell

(57) **CLAIM**

The ornamental design for a runner, as shown and described.

DESCRIPTION

FIG. 1 is a front perspective view of a runner showing my new design;

FIG. 2 is a front view thereof;

FIG. 3 is a rear view thereof;

FIG. 4 is a left side view thereof;

FIG. 5 is a right side view thereof;

FIG. 6 is a top view thereof; and

FIG. 7 is a bottom view thereof.

FIG. 8 is a front perspective view showing folded view of a runner shown in FIG. 1;

FIG. 9 is a front view thereof;

FIG. 10 is a rear view thereof;

FIG. 11 is a left side view thereof;

FIG. 12 is a right side view thereof;

FIG. 13 is a top view thereof; and

FIG. 14 is a bottom view thereof.

FIG. 15 is a front perspective view showing placement of a seat with hood unfolded in a runner shown in FIG. 1;

FIG. 16 is a front perspective view showing placement of a seat with hood folded;

FIG. 17 is a front perspective view showing placement of a seat with hood folded;

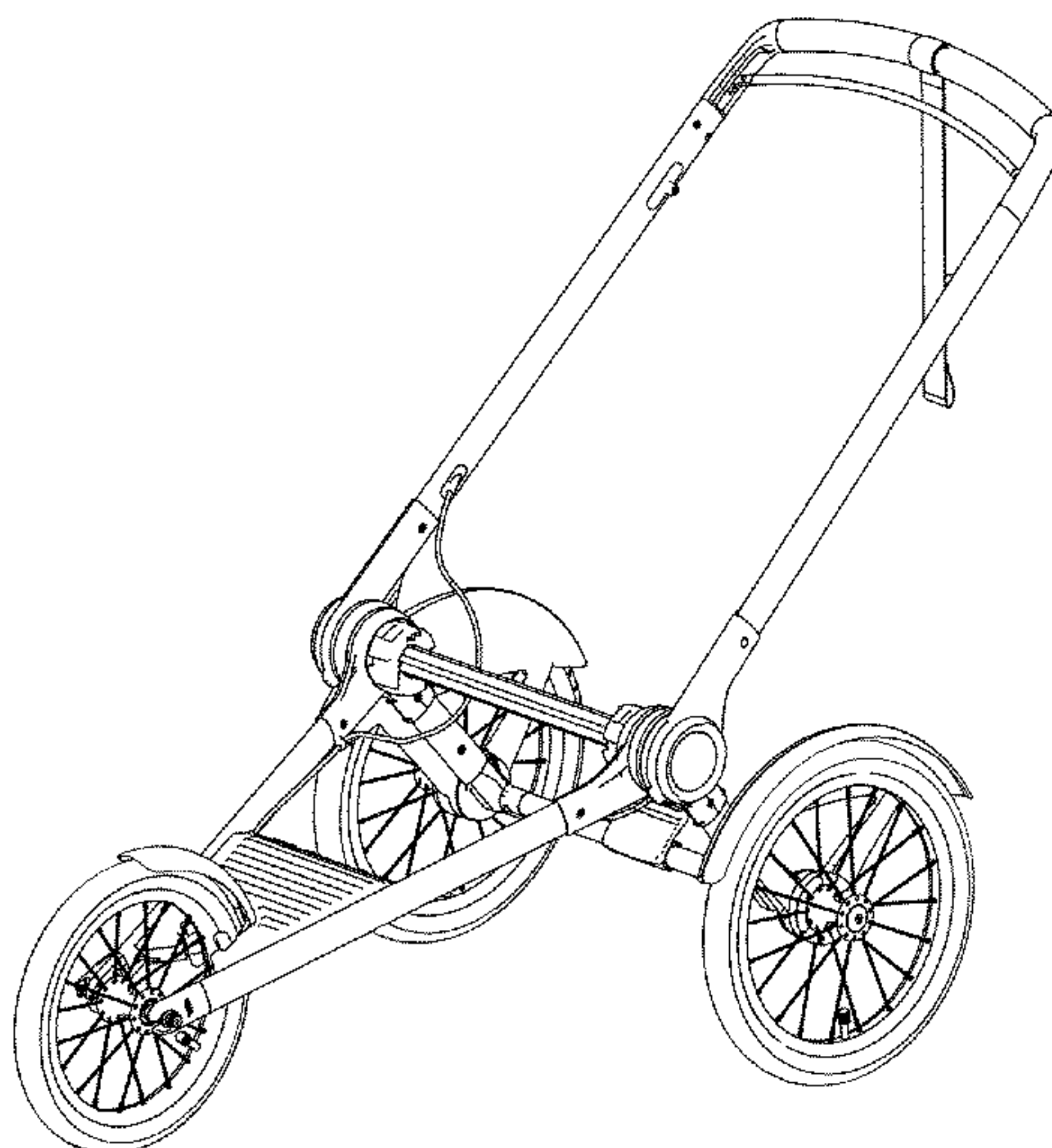
FIG. 18 is a front perspective view showing placement of a seat with hood folded;

FIG. 19 is a front perspective view showing placement of a seat with hood folded; and,

FIG. 20 is a front perspective view showing placement of a seat.

The broken line showing of the seat and hood are meant to illustrate the environment and forms no part of the claimed design.

1 Claim, 17 Drawing Sheets



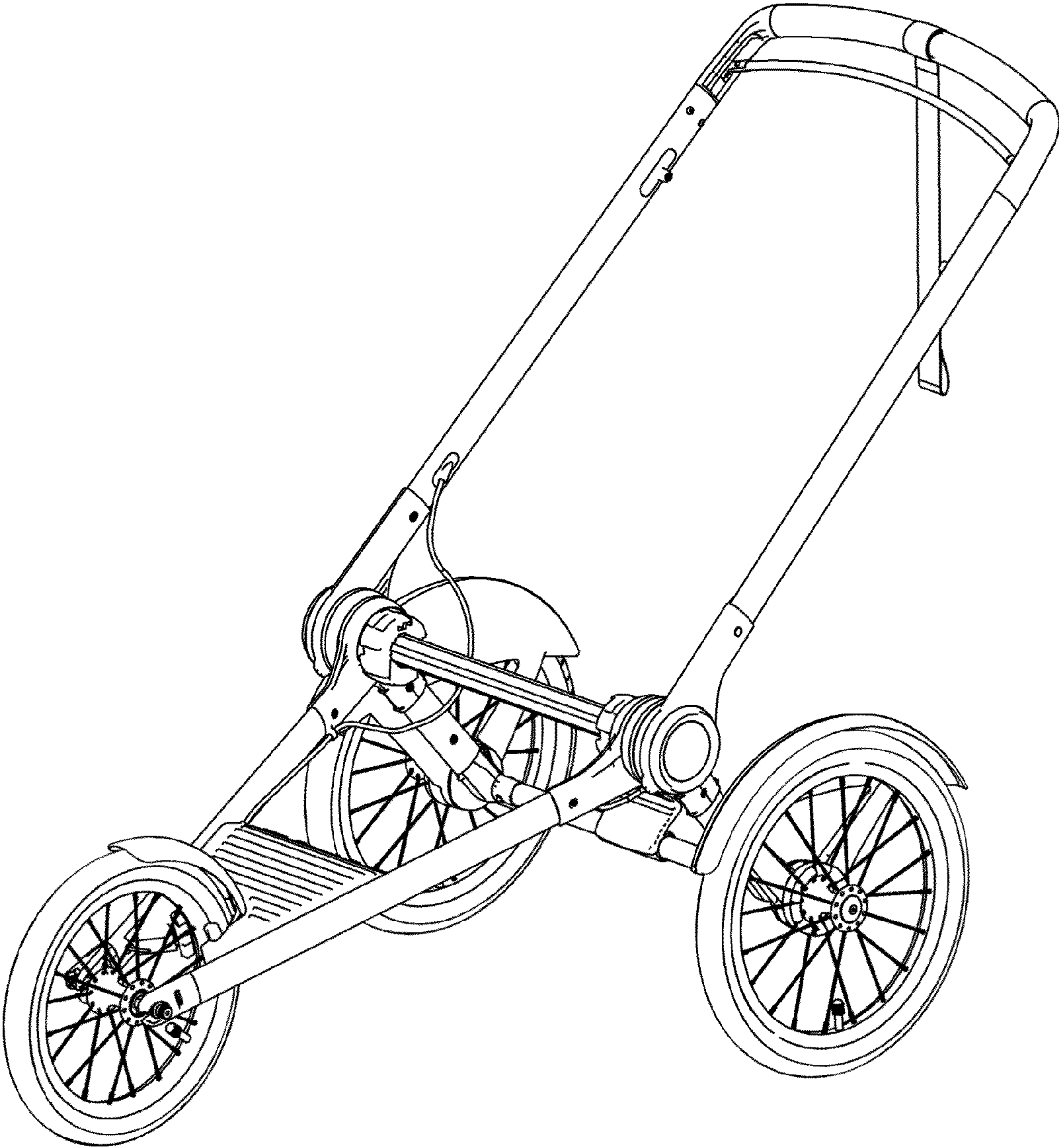


FIG. 1

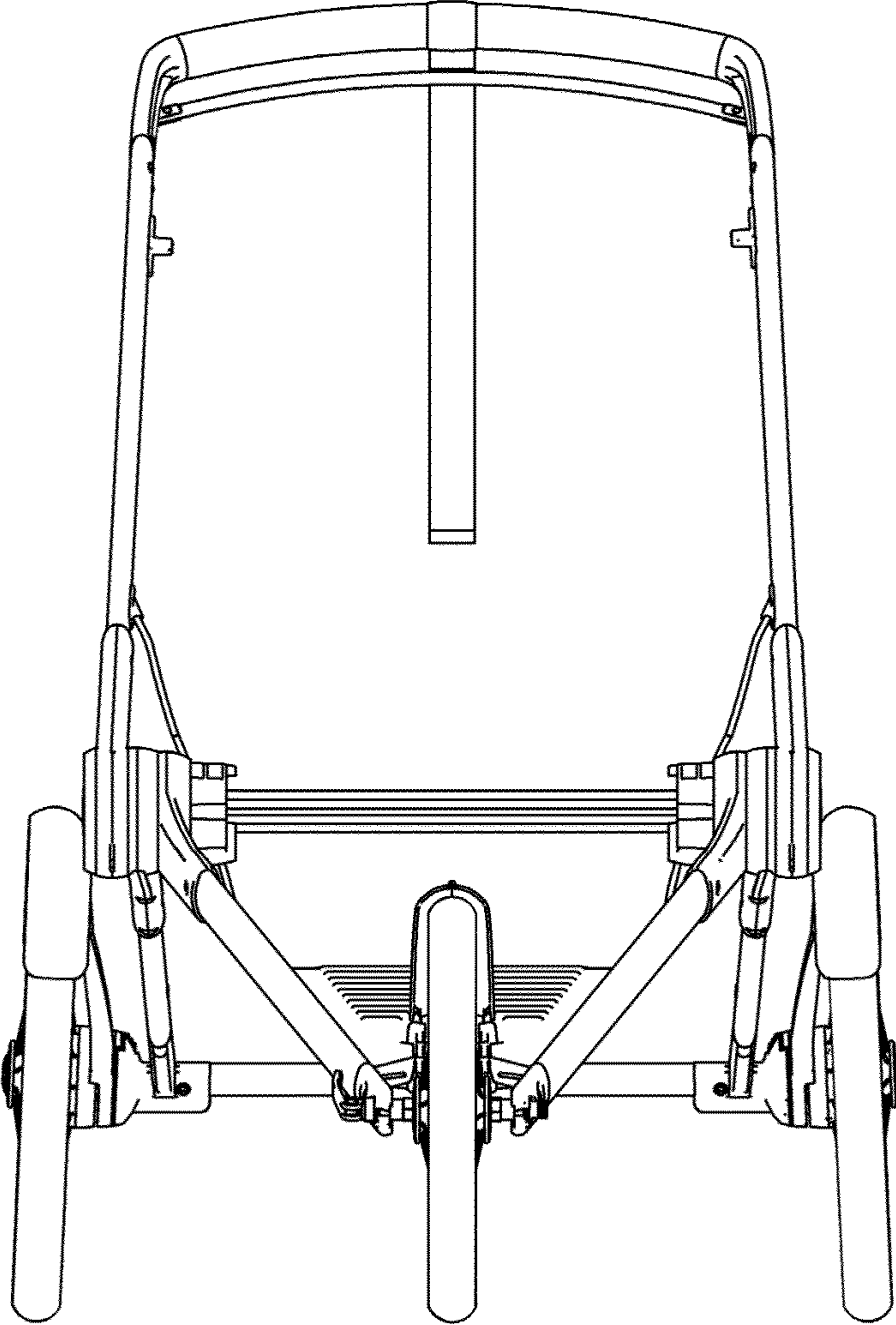


FIG. 2

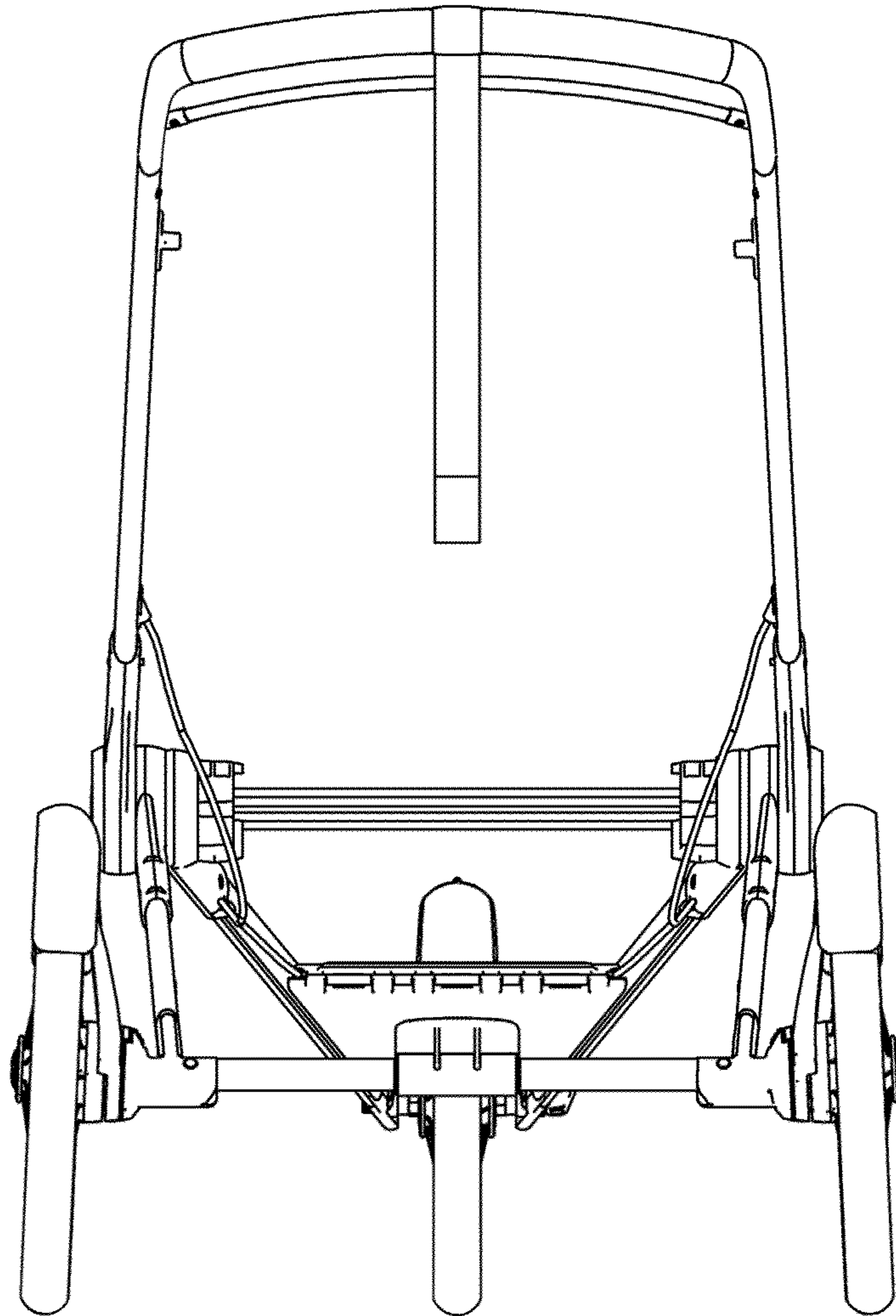


FIG. 3

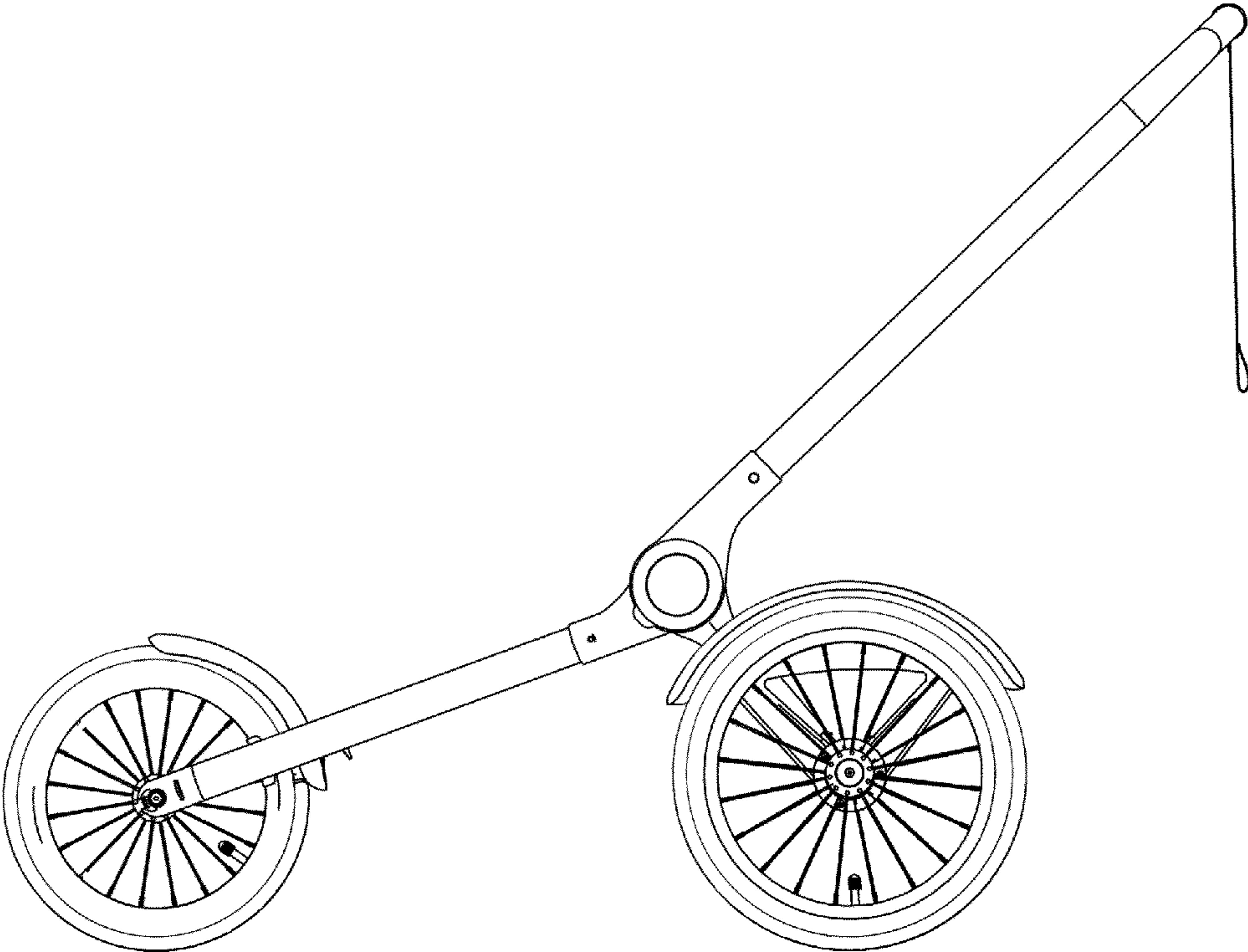


FIG. 4

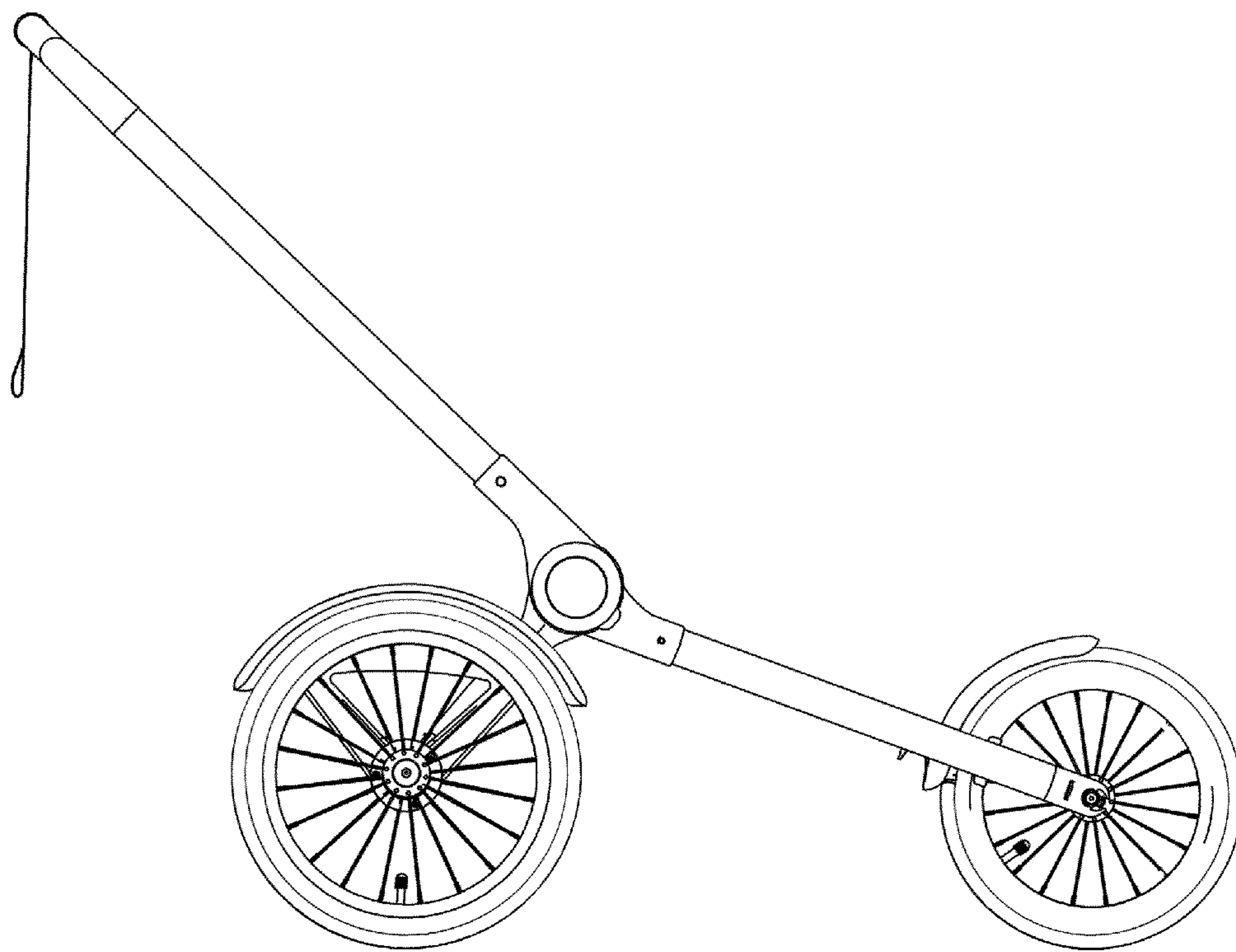


FIG. 5

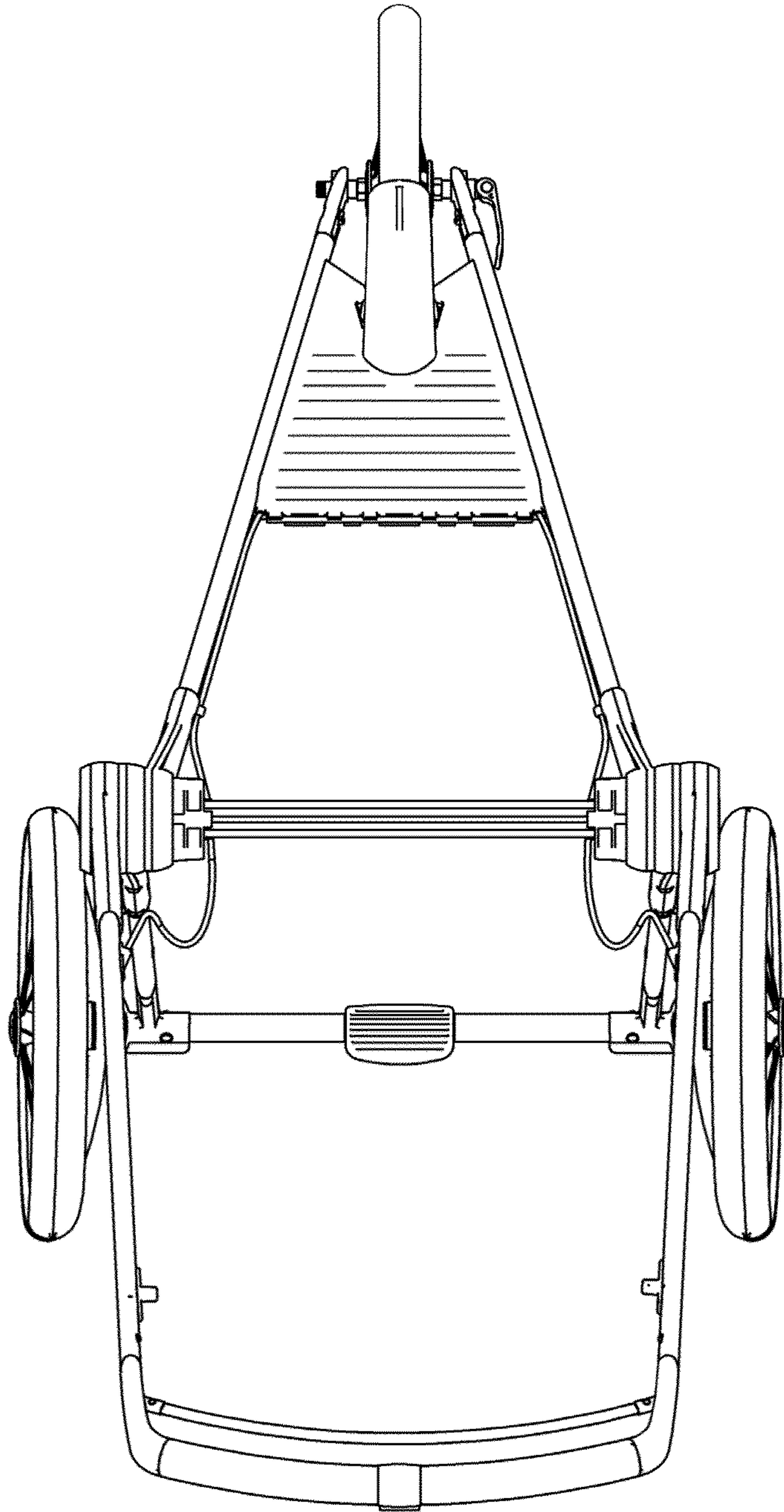


FIG. 6

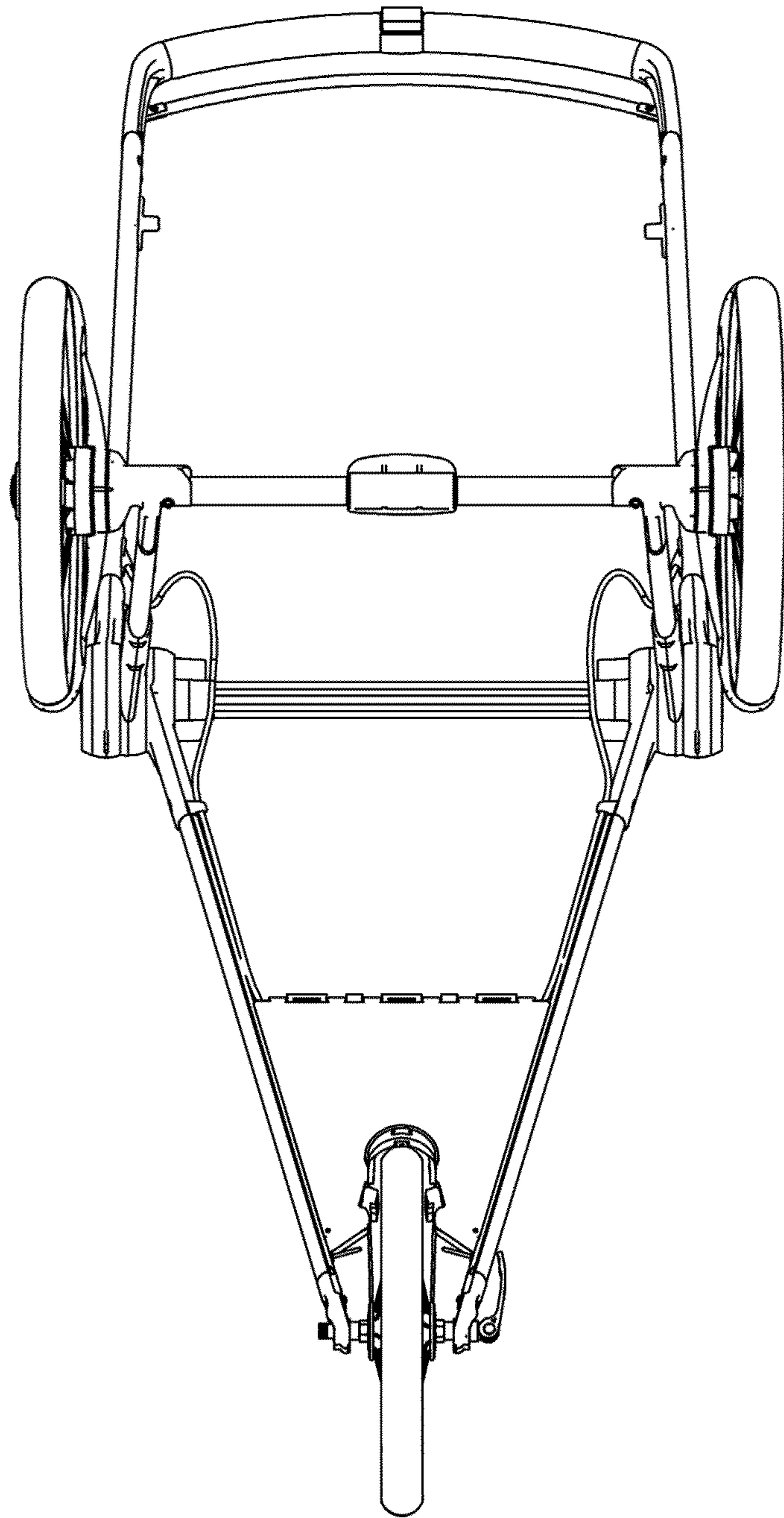


FIG. 7

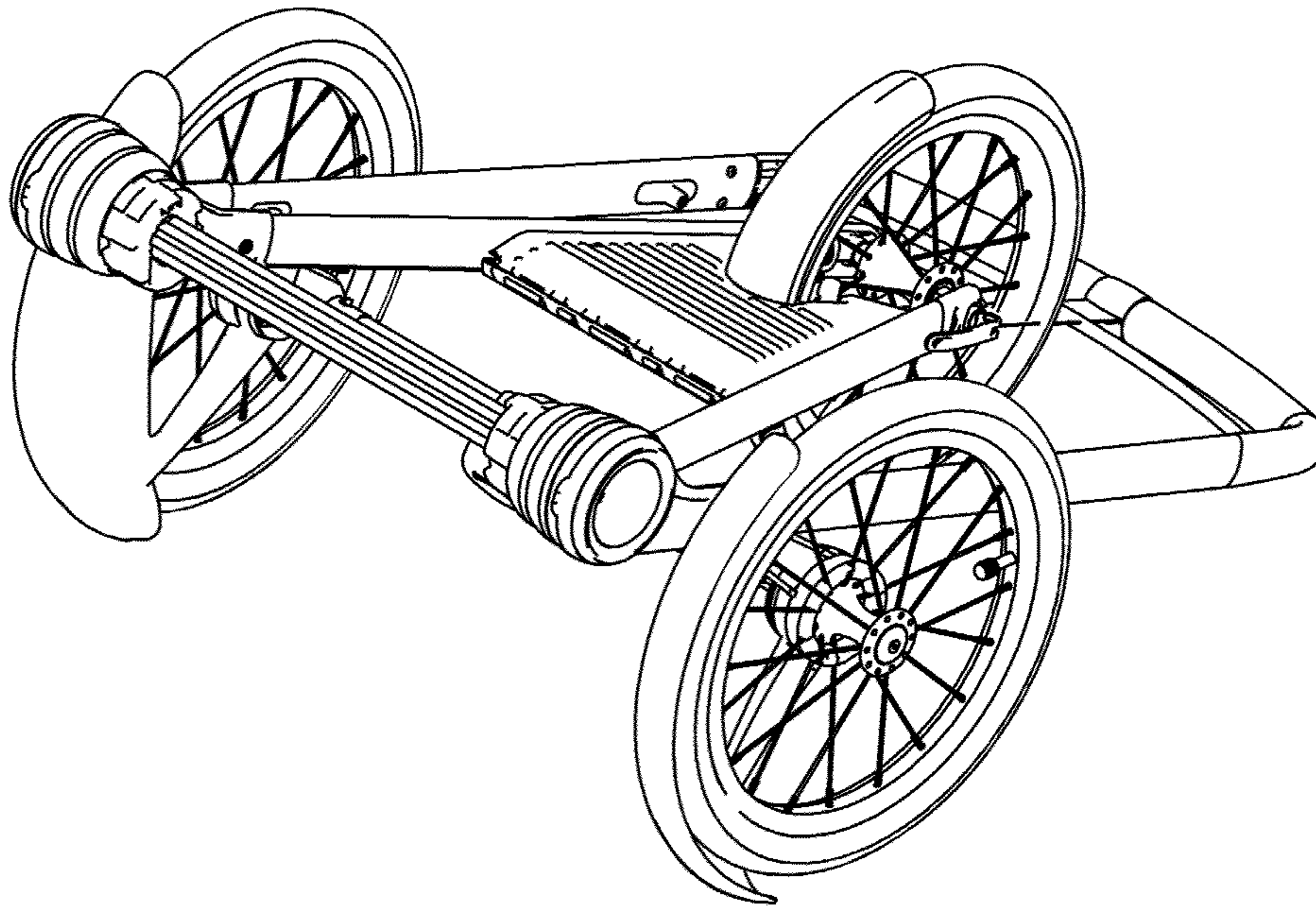


FIG. 8

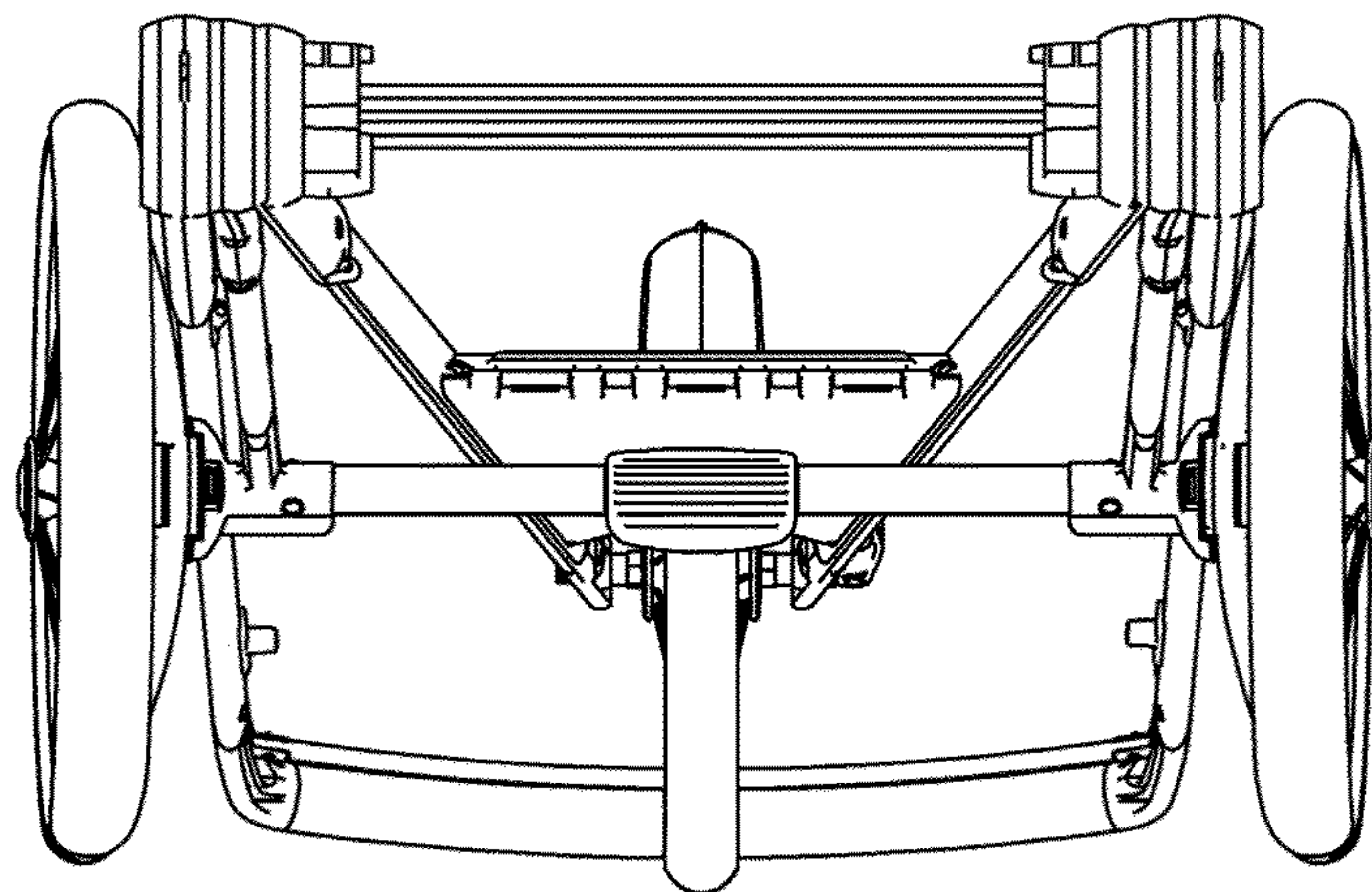


FIG. 9

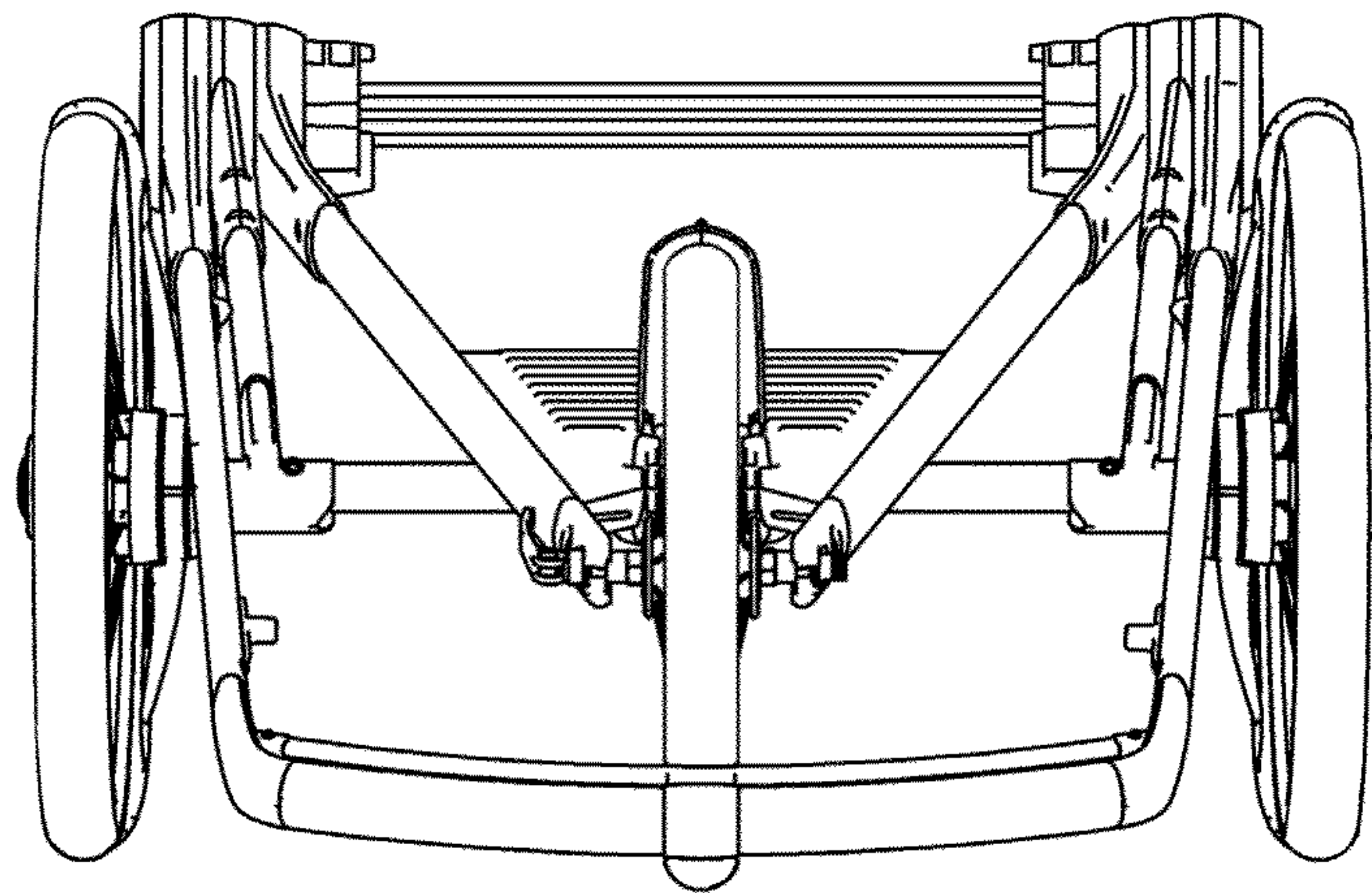


FIG. 10

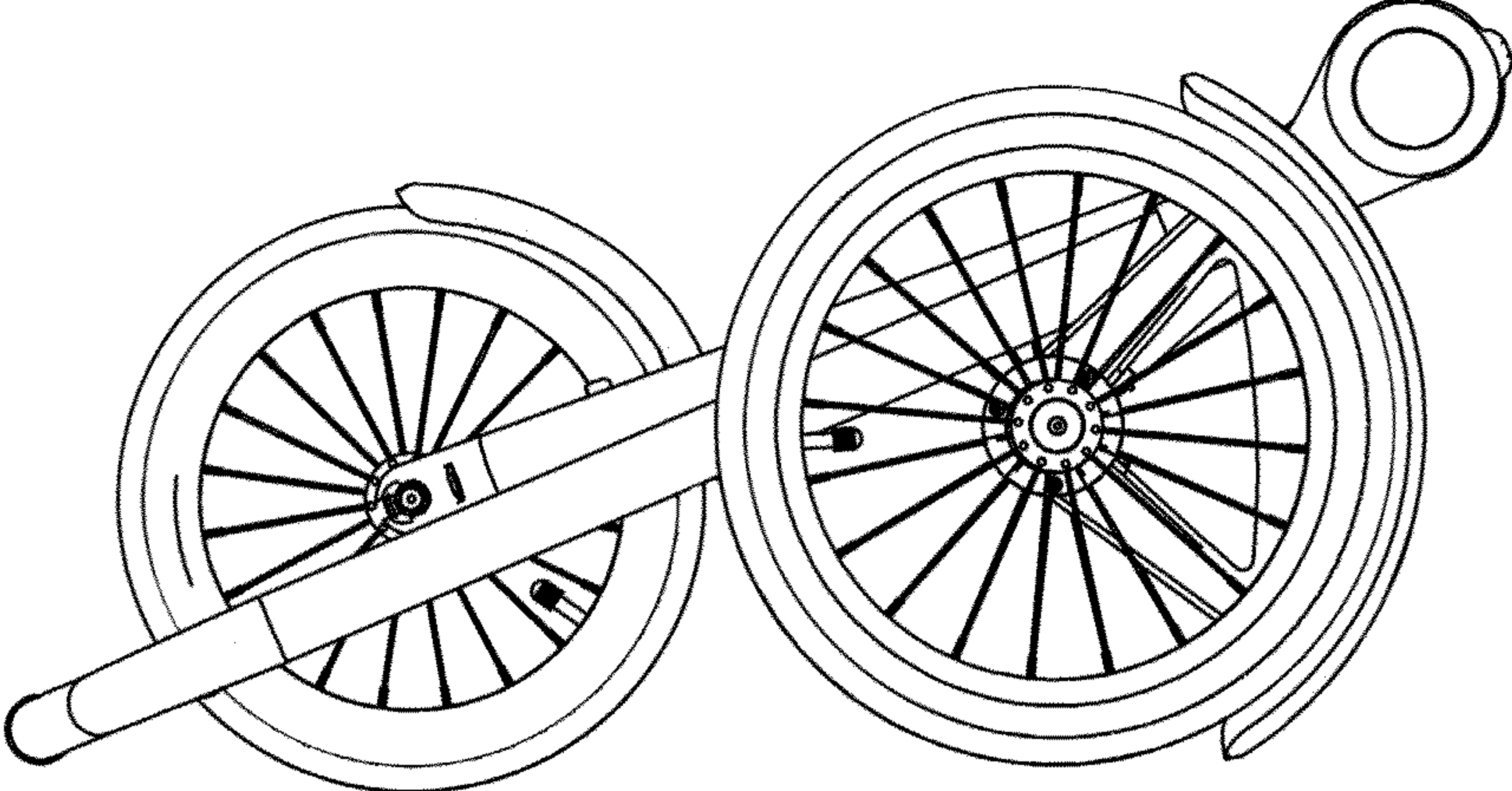


FIG. 11

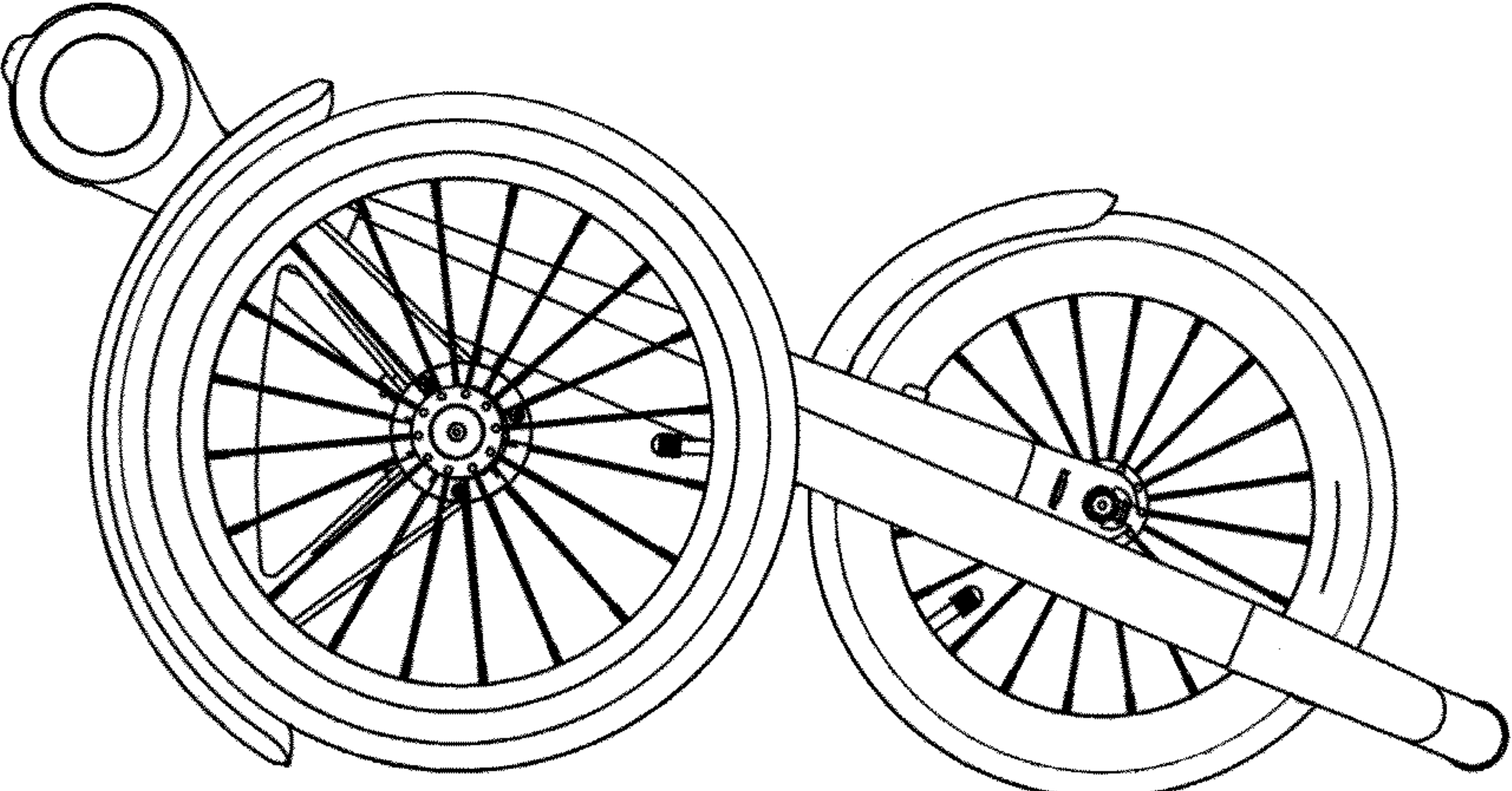


FIG. 12

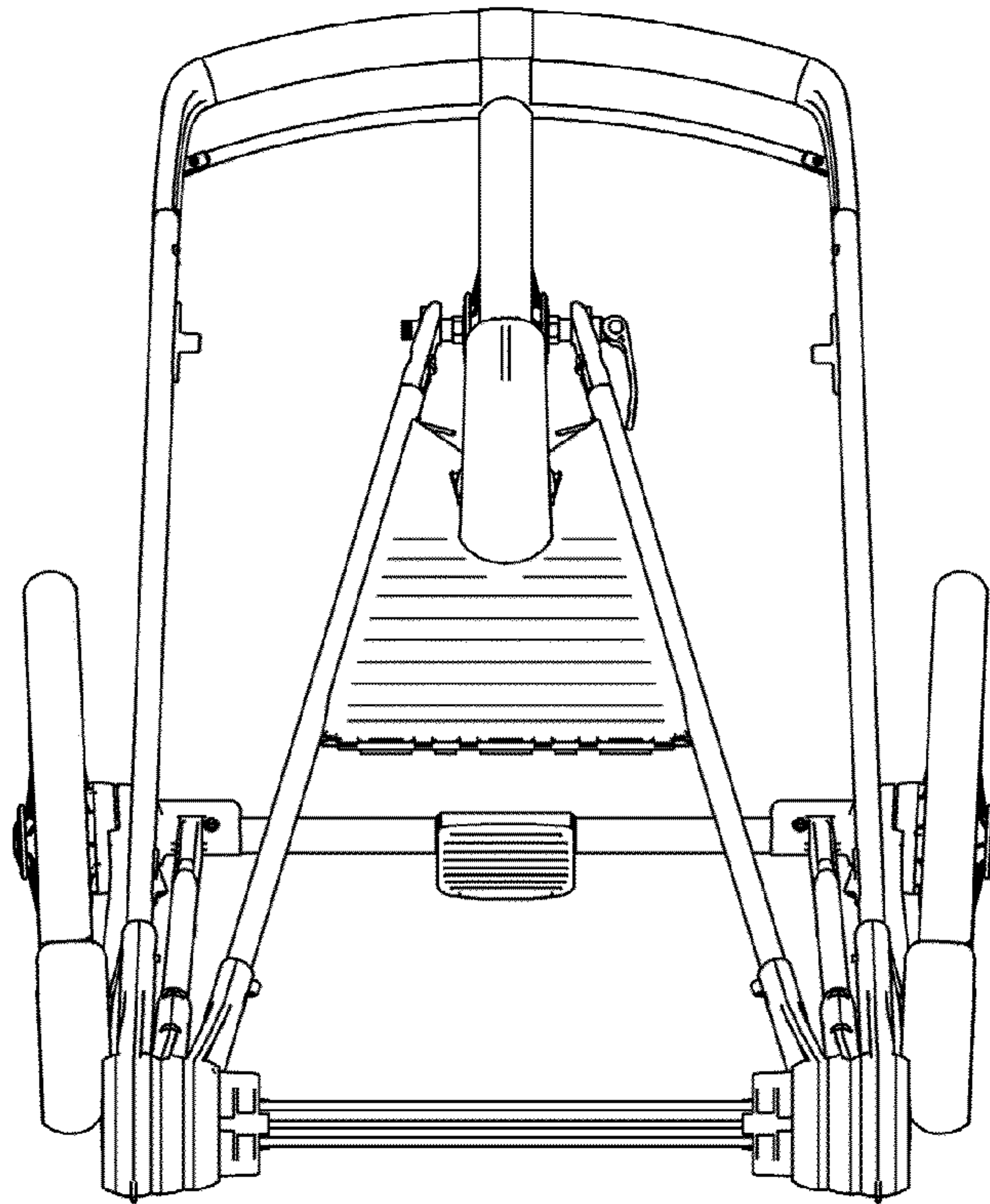


FIG. 13

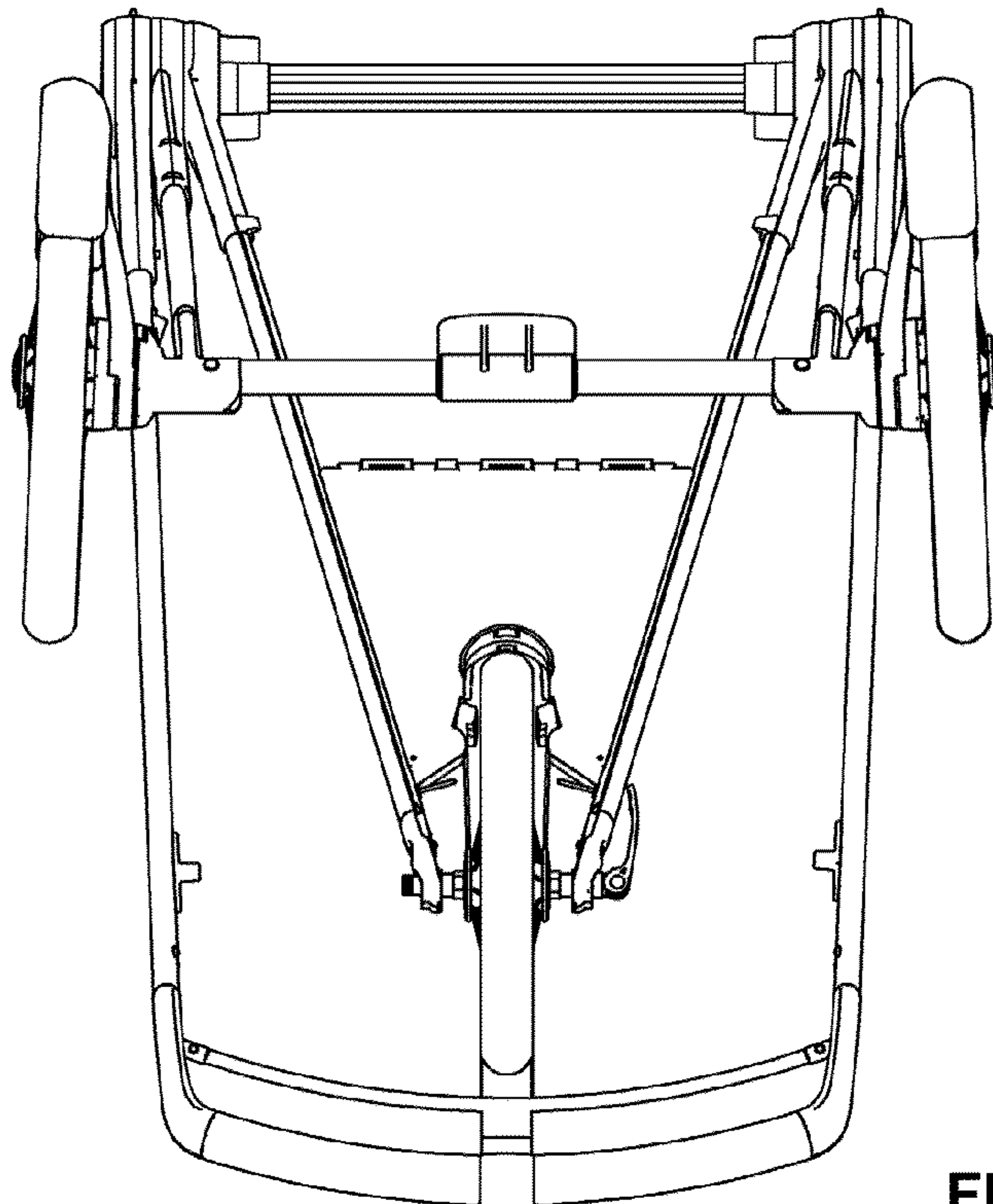


FIG. 14

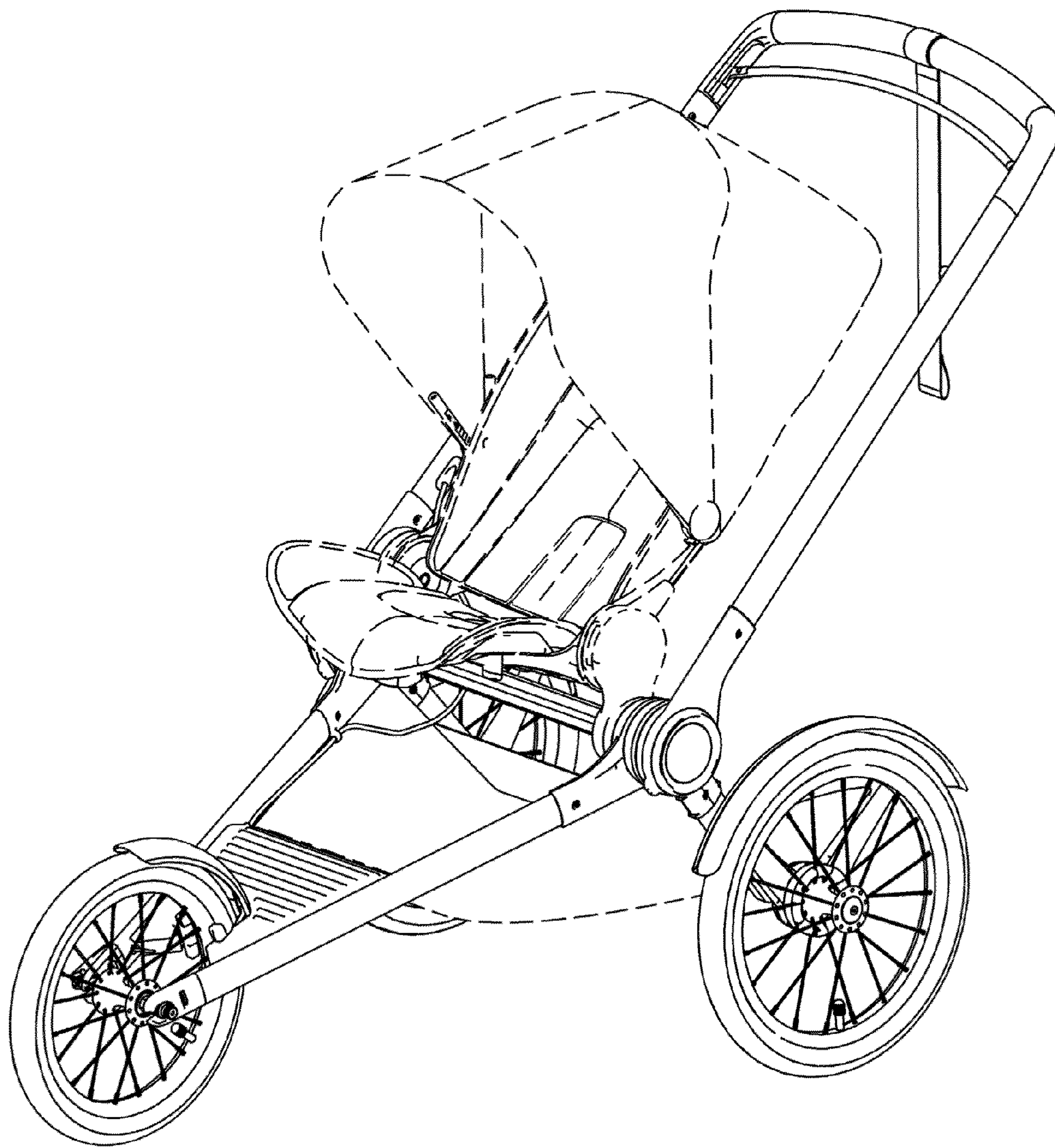


FIG. 15

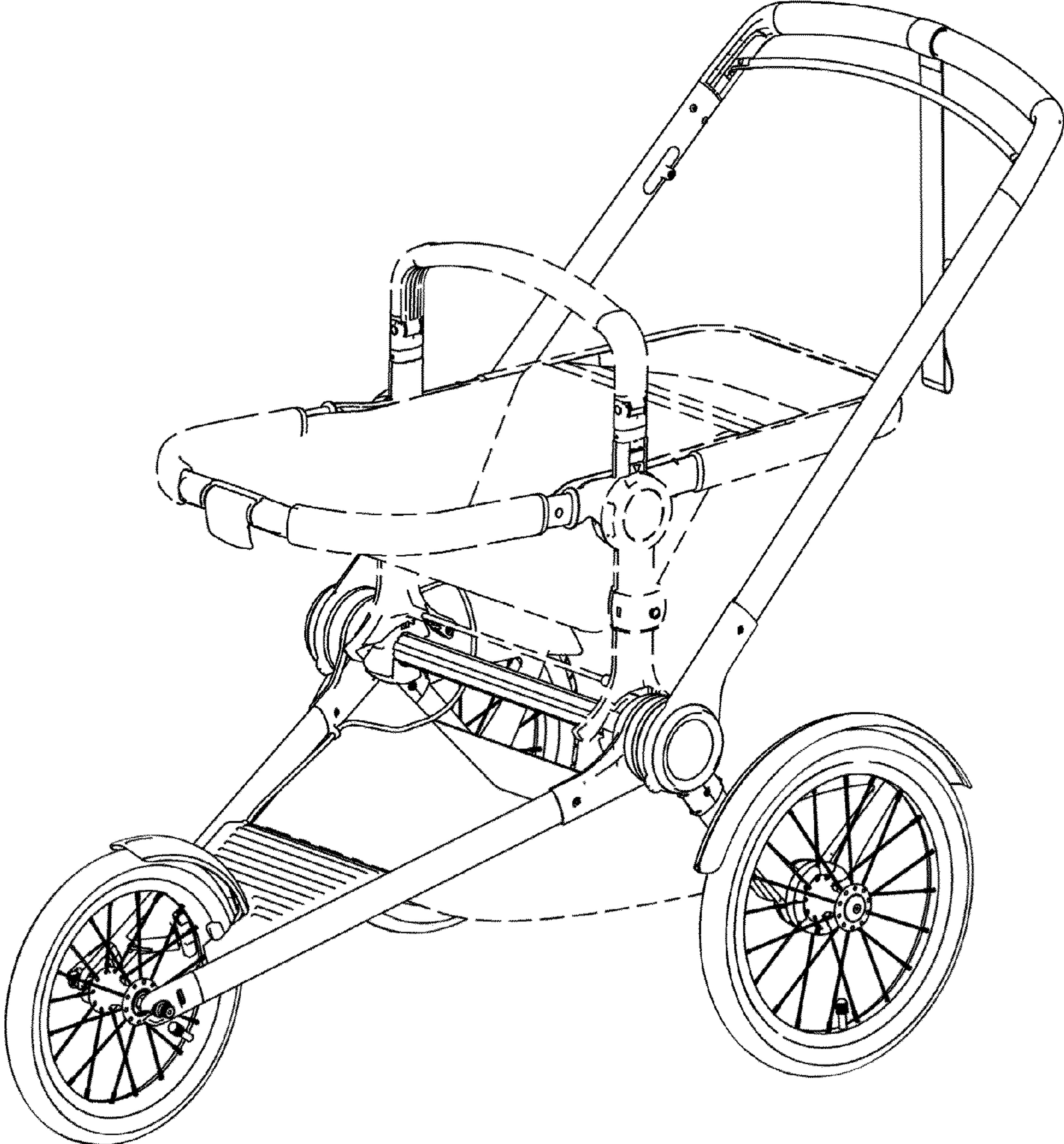


FIG. 16

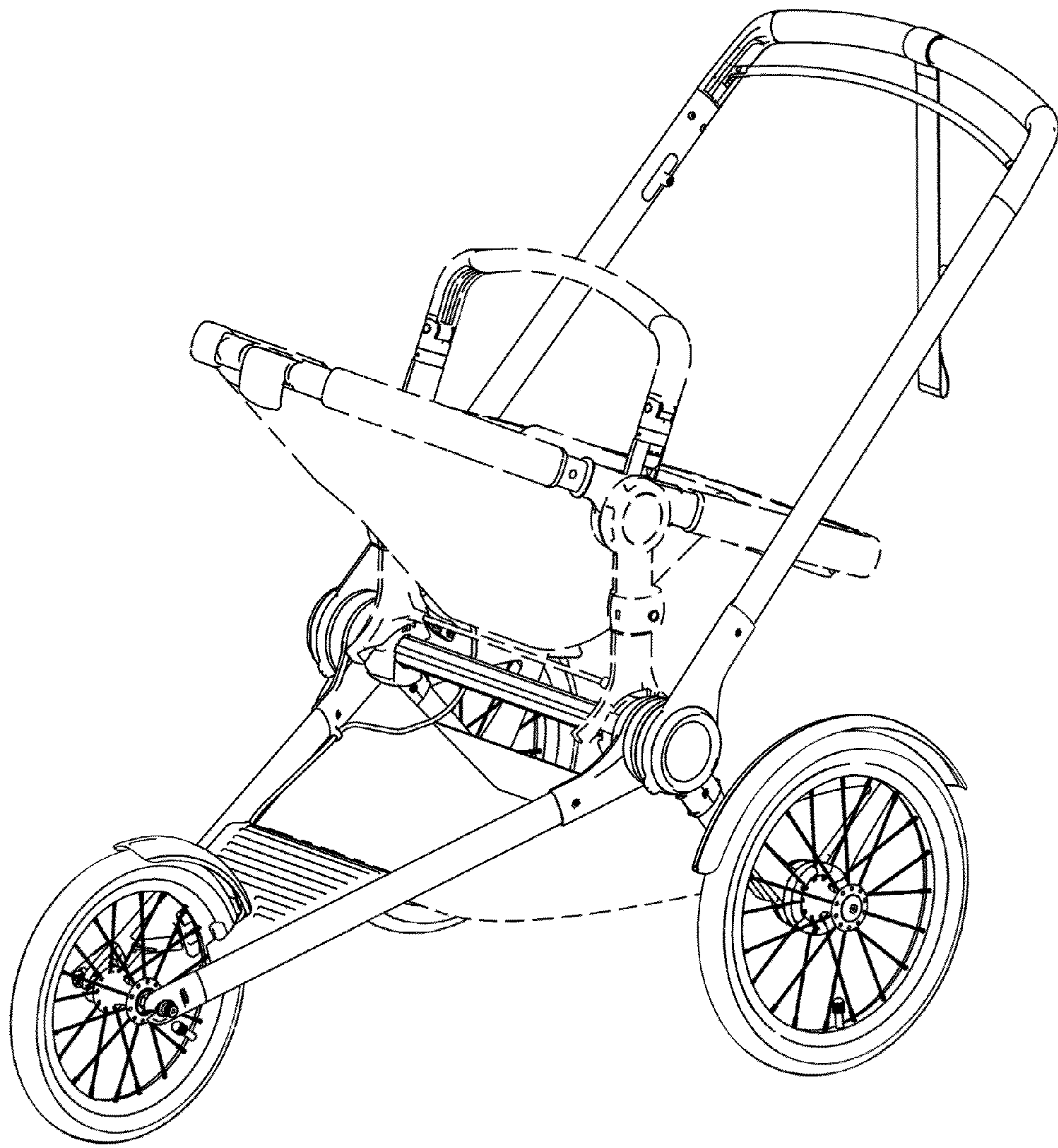


FIG. 17

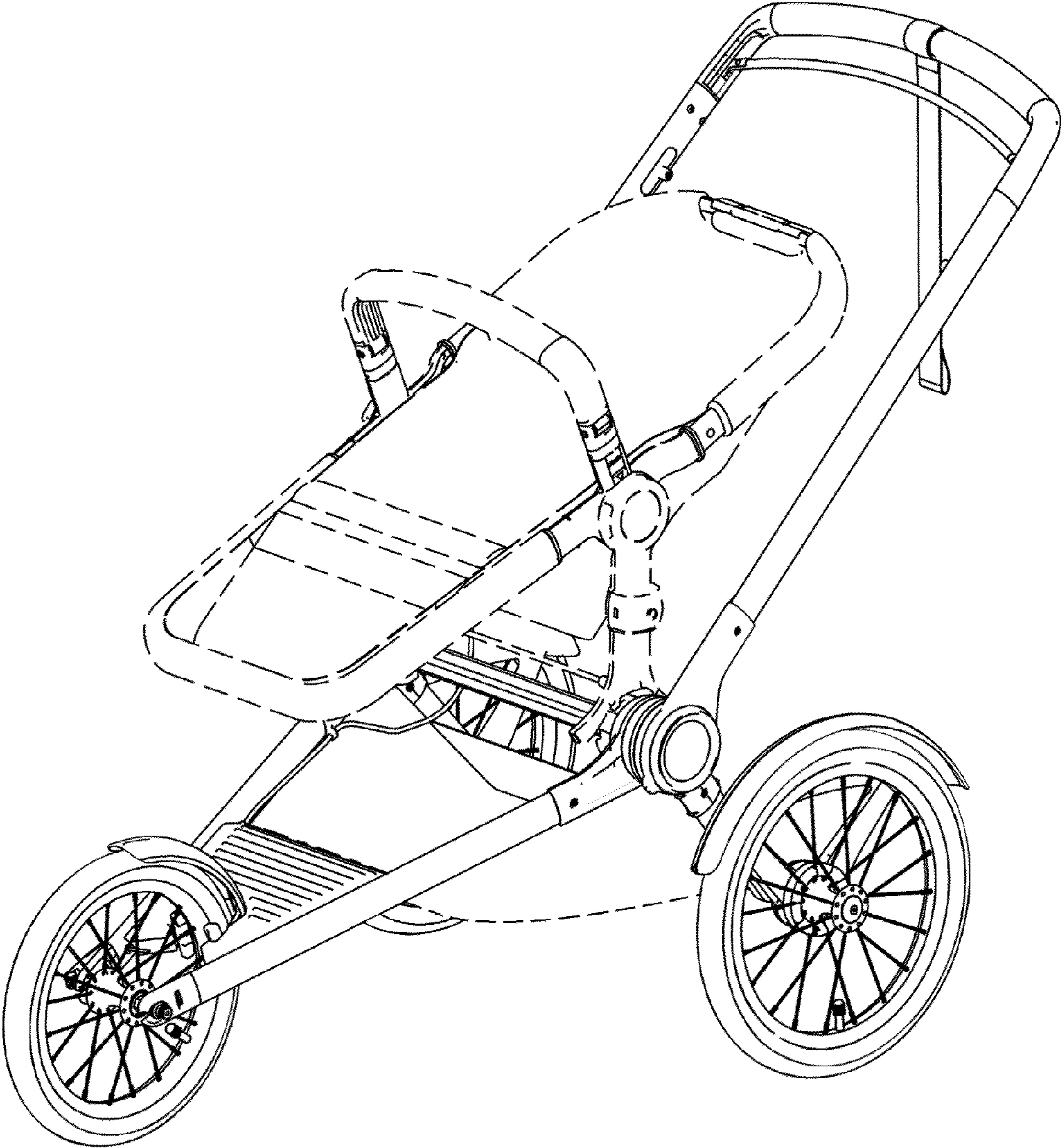


FIG. 18

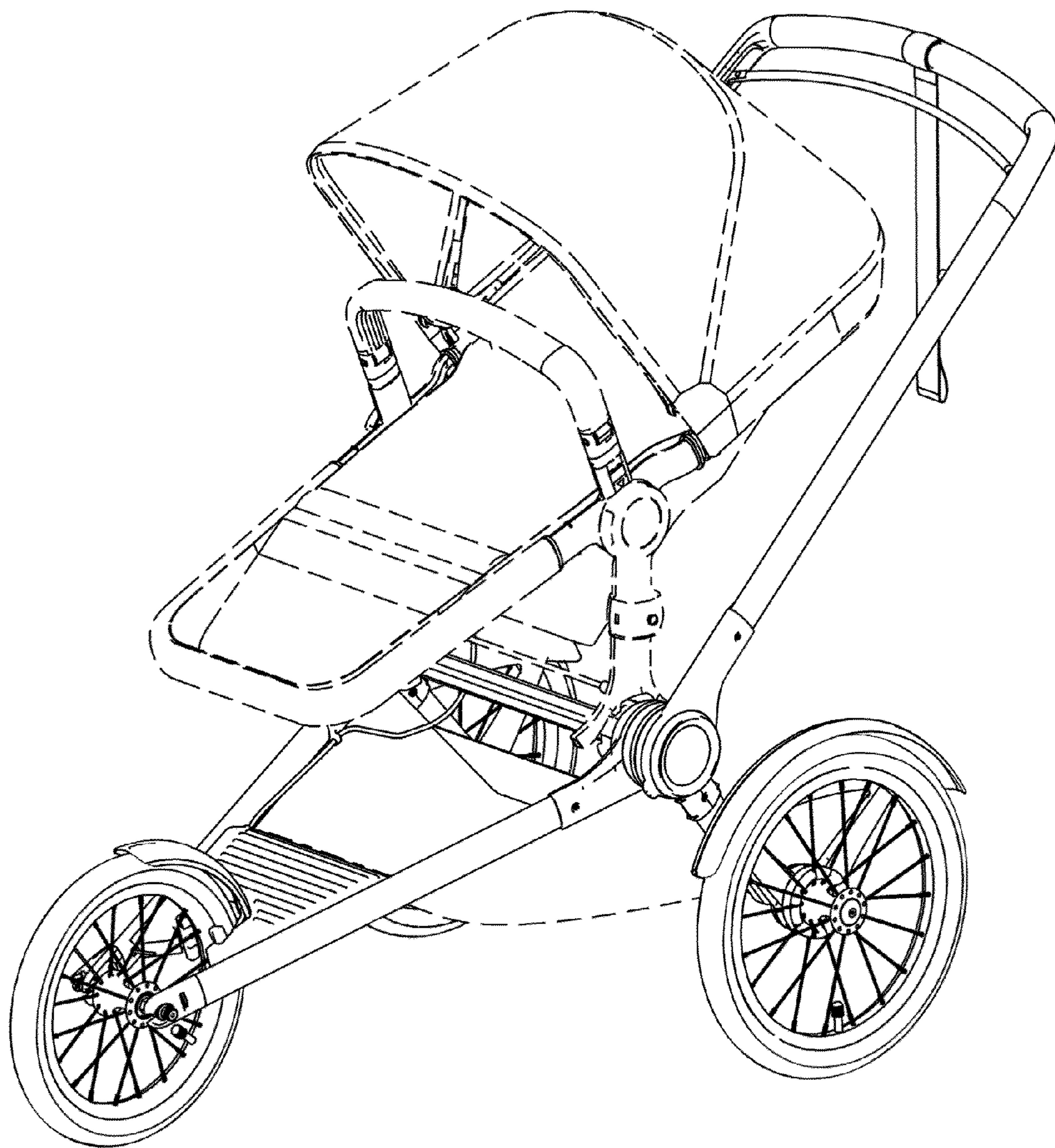


FIG. 19

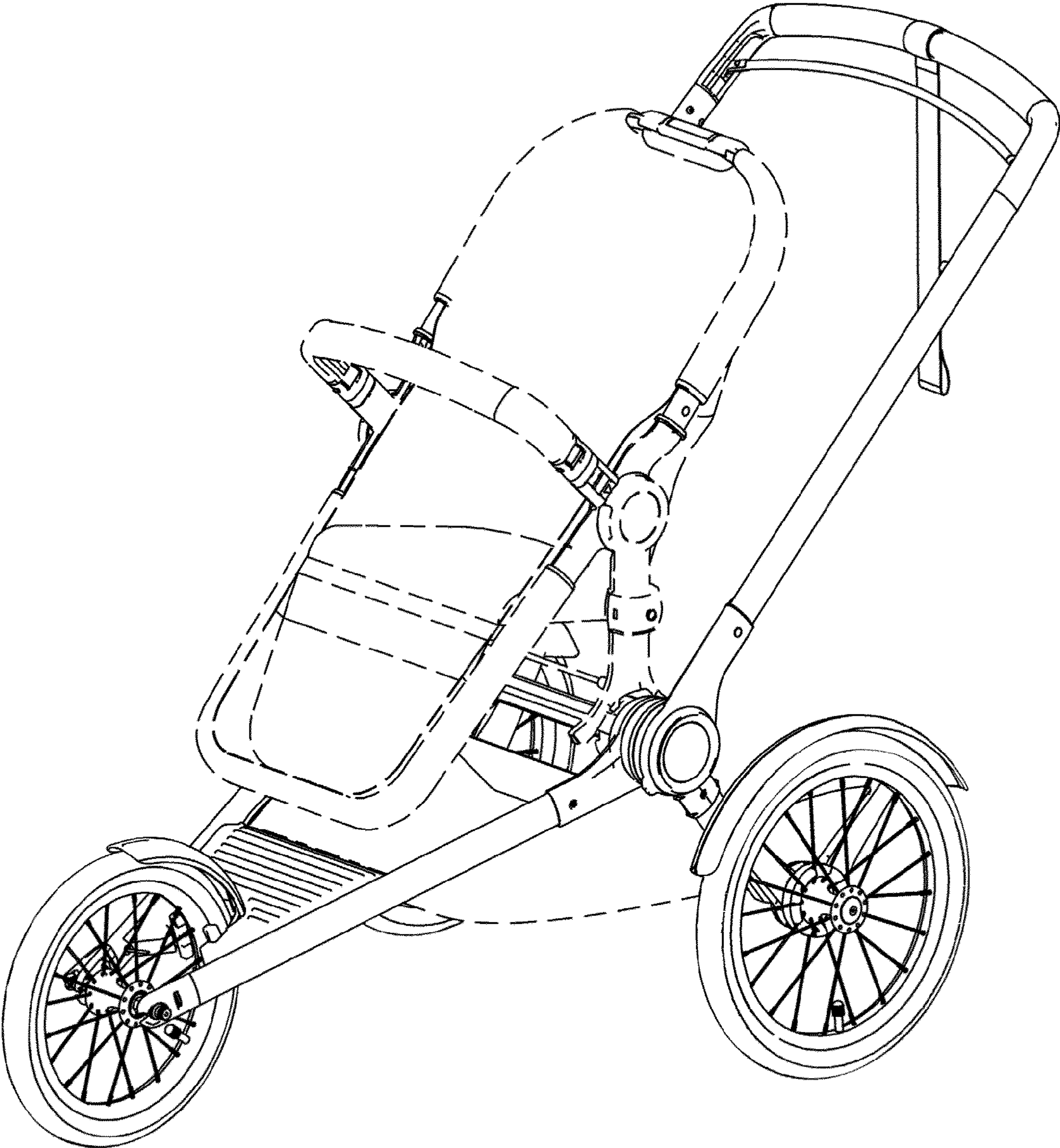


FIG. 20