

US00D756851S

(12) **United States Design Patent**
Gray

(10) **Patent No.:** **US D756,851 S**

(45) **Date of Patent:** **** May 24, 2016**

(54) **FOLDABLE STRETCHER**

(71) Applicant: **Nicholas Karel Gray**, Lancashire (GB)

(72) Inventor: **Nicholas Karel Gray**, Lancashire (GB)

(**) Term: **14 Years**

(21) Appl. No.: **29/503,630**

(22) Filed: **Sep. 29, 2014**

(30) **Foreign Application Priority Data**

Jul. 28, 2014 (GB) 4036533

(51) **LOC (10) Cl.** **12-12**

(52) **U.S. Cl.**
USPC **D12/128**

(58) **Field of Classification Search**
USPC D12/128, 132
CPC A61G 1/04; A61G 1/00; A61G 1/044;
A61G 1/048; A61G 1/0212; A61G 1/003;
A61G 1/0237; A61G 1/0231; A61G 1/0262;
A61G 1/052; A61G 1/0562; A61G 1/0567
See application file for complete search history.

(56) **References Cited**

U.S. PATENT DOCUMENTS

- 2,362,721 A * 11/1944 Reynolds A61G 1/013
280/47.25
- 4,615,058 A * 10/1986 Feldt A61G 13/0009
5/181
- 5,263,213 A * 11/1993 Robertson A61G 1/00
5/601
- 5,375,277 A * 12/1994 Carr A61G 1/017
280/47.25

- D435,493 S * 12/2000 Jewell D12/128
- D463,563 S * 9/2002 Schoenig D24/183
- D522,143 S * 5/2006 Cartwright D24/183
- D550,361 S * 9/2007 Cartwright D24/183
- 7,325,815 B2 * 2/2008 Rush A61G 5/00
280/47.18
- D615,207 S * 5/2010 Bochner D12/132
- 8,316,480 B2 * 11/2012 Burak, Jr. A61G 7/1019
5/81.1 HS

* cited by examiner

Primary Examiner — Susan Bennett Hattan

Assistant Examiner — Charles Hanson

(74) *Attorney, Agent, or Firm* — Nixon & Vanderhye, P.C.

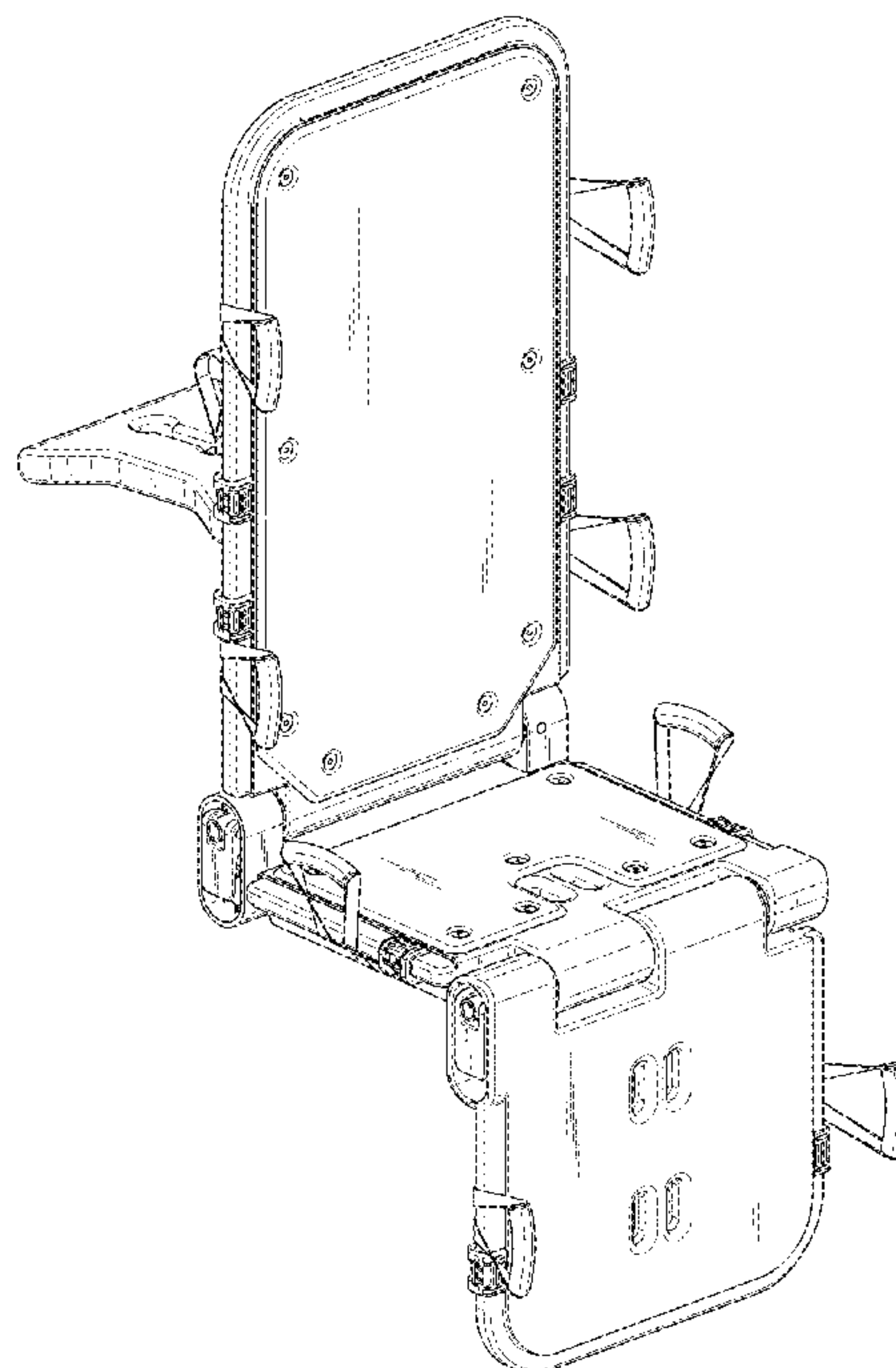
(57) **CLAIM**

The ornamental design for a foldable stretcher, as shown and described.

DESCRIPTION

FIG. 1 is a perspective view of the foldable stretcher according to my new ornamental design;
 FIG. 2 is a front view thereof;
 FIG. 3 is a rear view thereof;
 FIG. 4 is a right-hand side view thereof;
 FIG. 5 is a left-hand side view thereof;
 FIG. 6 is a top view thereof; and,
 FIG. 7 is a bottom view thereof.
 The broken line showing is included for the purpose of illustrating part of the foldable stretcher that forms no part of the claimed design.

1 Claim, 7 Drawing Sheets



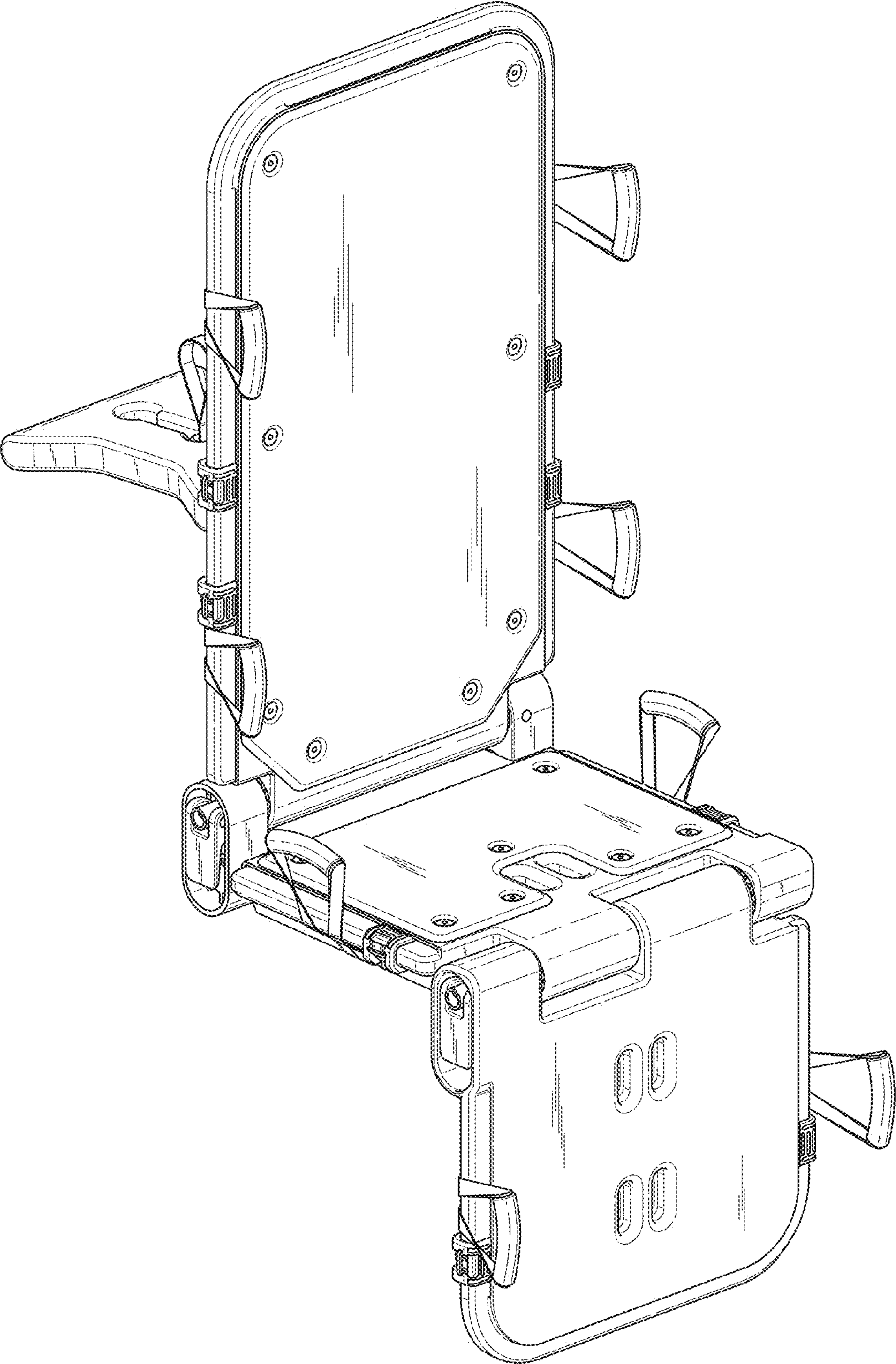


Fig. 1

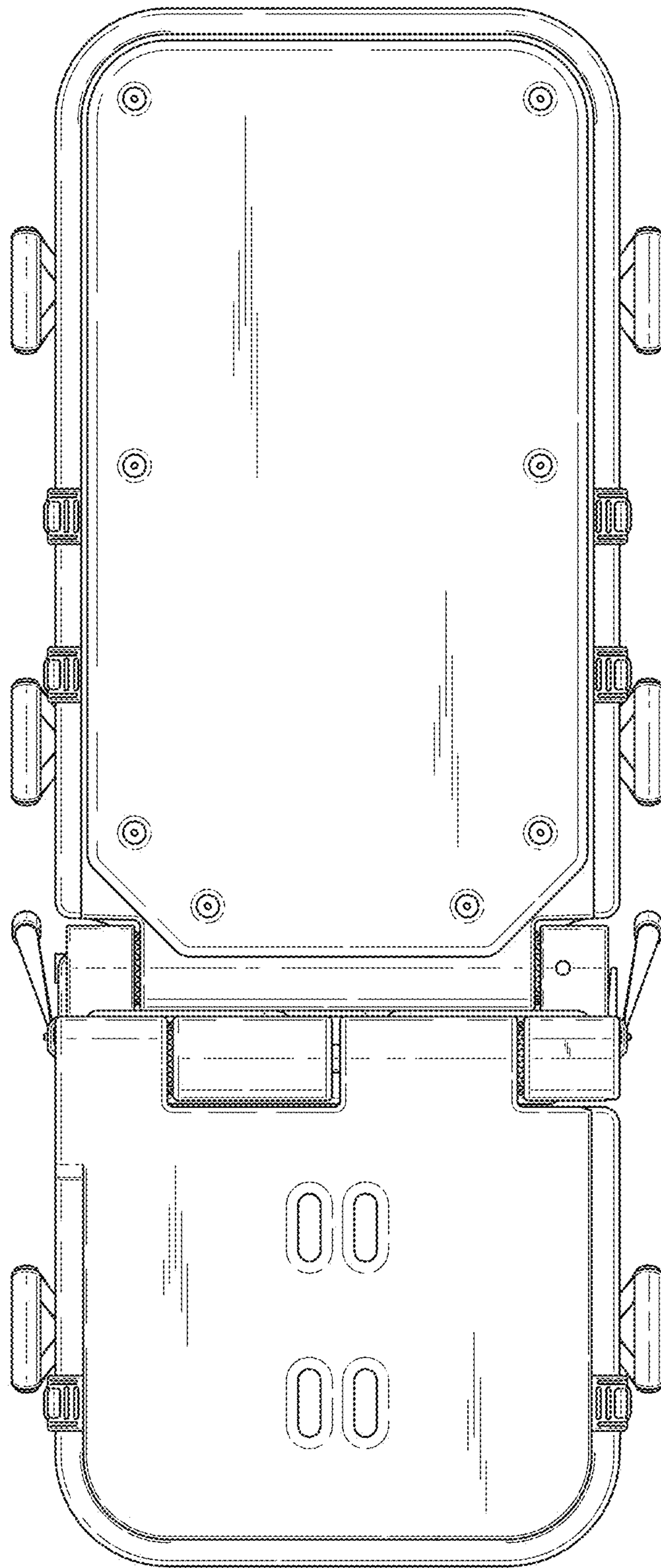


Fig. 2

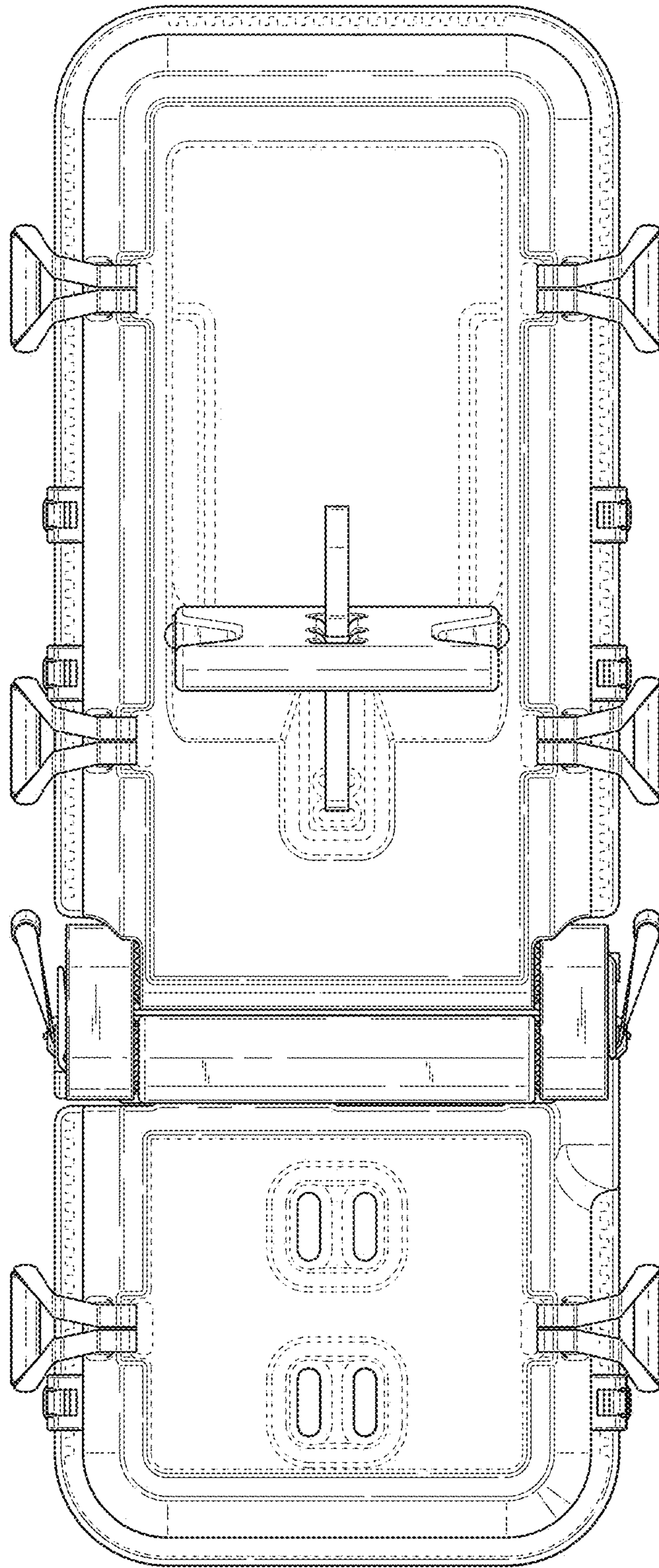


Fig. 3

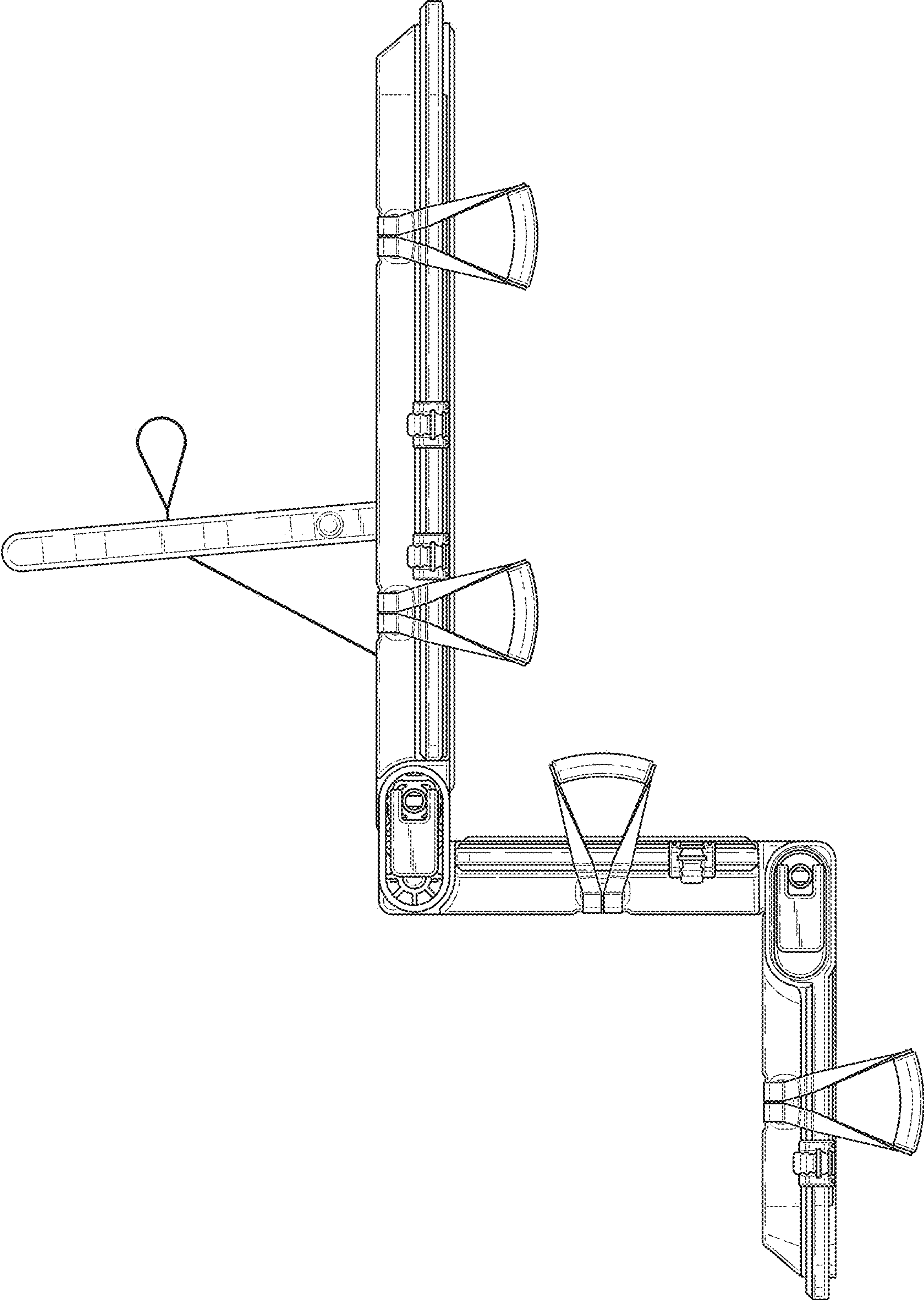


Fig. 4

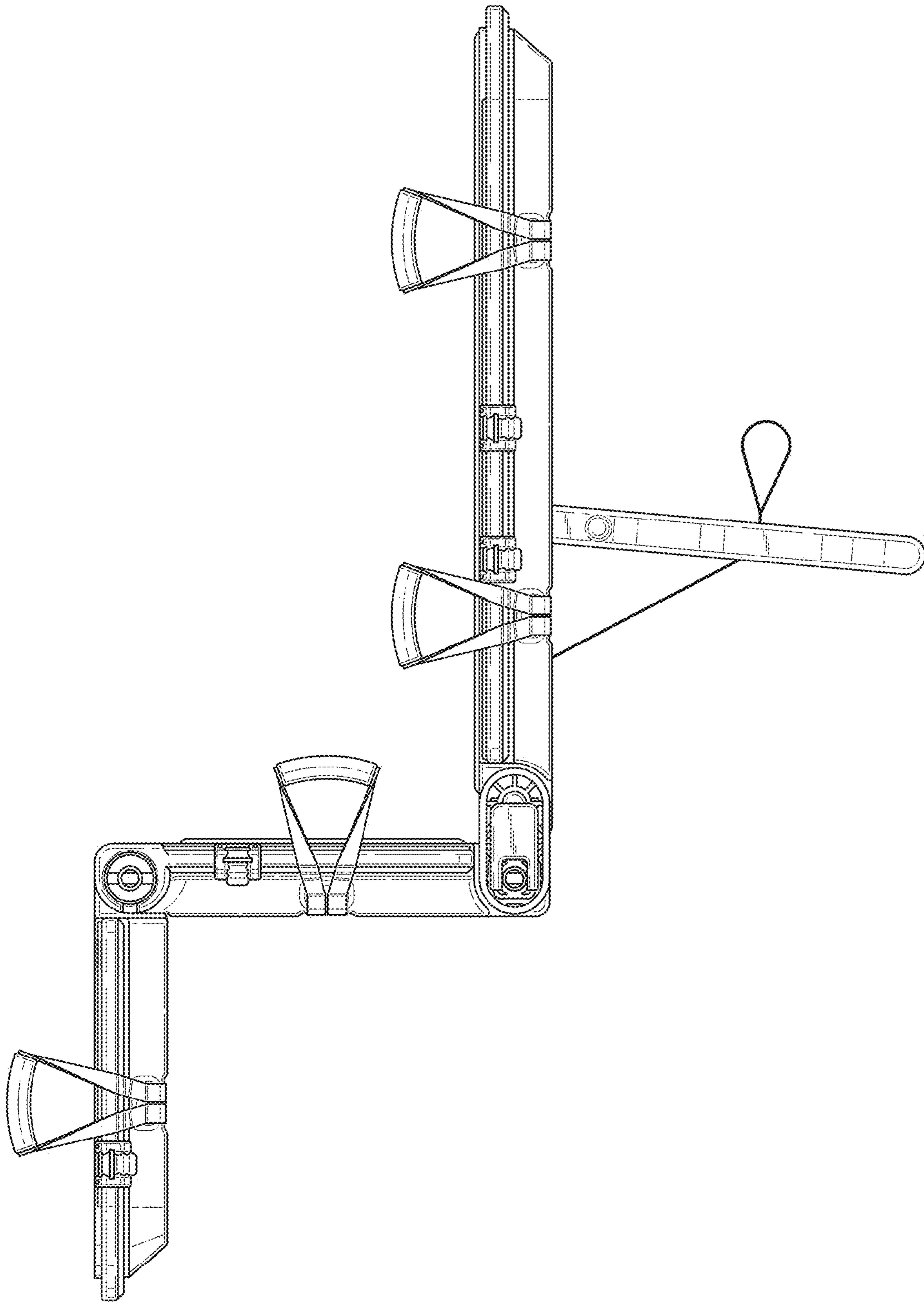


Fig. 5

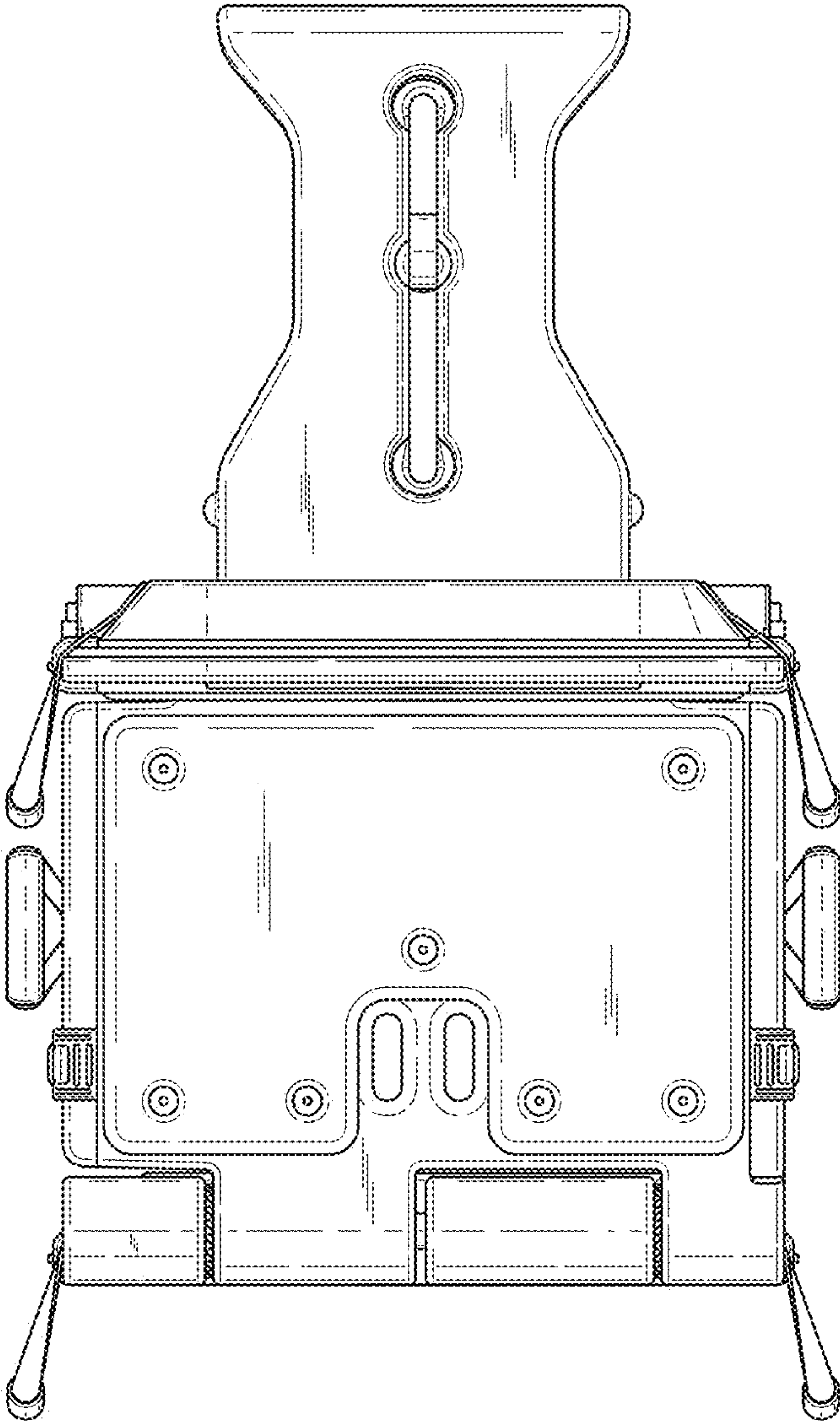


Fig. 6

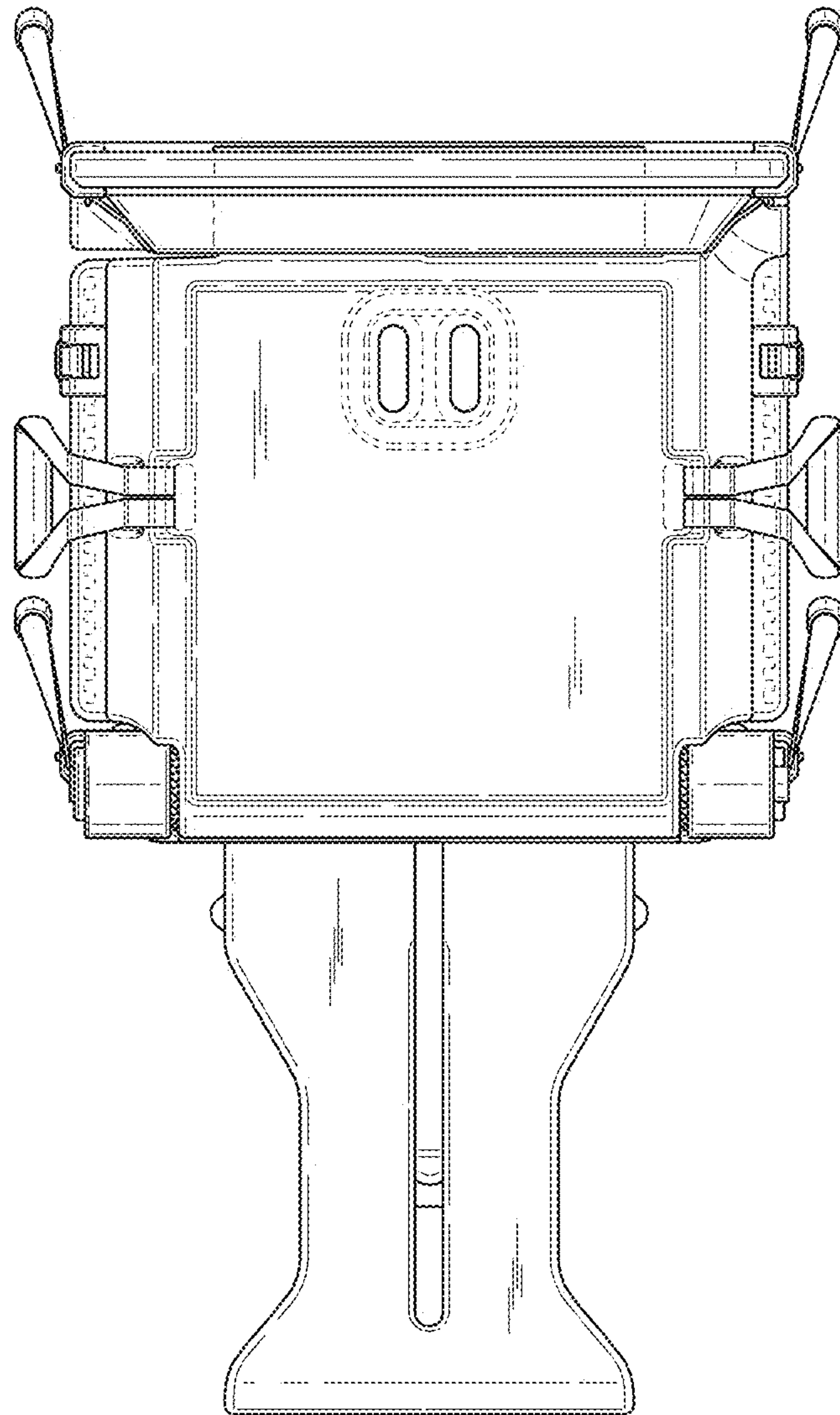


Fig. 7