



US00D756849S

(12) **United States Design Patent**
Garcia Lopez

(10) **Patent No.:** **US D756,849 S**
(45) **Date of Patent:** **** May 24, 2016**

(54) **MOTOR VEHICLE**

- (71) Applicant: **AUDI AG**, Ingolstadt (DE)
- (72) Inventor: **Sergio Garcia Lopez**, Munich (DE)
- (73) Assignee: **AUDI AG**, Ingolstadt (DE)
- (**) Term: **14 Years**
- (21) Appl. No.: **29/509,486**
- (22) Filed: **Nov. 18, 2014**

(30) **Foreign Application Priority Data**

May 19, 2014 (EM) 002 466 136-0001

- (51) **LOC (10) CL.** **12-08**
- (52) **U.S. CL.**
USPC **D12/92**
- (58) **Field of Classification Search**
USPC D12/86, 90, 91, 92, 98; D21/424, 433,
D21/434; 296/37.6, 181.1, 181.5, 183.1
CPC B62D 25/00; B62D 25/06; B62D 25/08;
B62D 33/00; B62D 35/00
See application file for complete search history.

(56) **References Cited**

U.S. PATENT DOCUMENTS

D628,939 S *	12/2010	Komuro	D12/92
D629,718 S *	12/2010	Reichman	D12/92
D635,059 S *	3/2011	Futschik	D12/92
D669,000 S *	10/2012	Uchiyama	D12/92
D683,268 S *	5/2013	Musk	D12/92
D700,108 S *	2/2014	Badstuebner	D12/93
D706,174 S *	6/2014	Garand	D12/92
D711,287 S *	8/2014	Butterworth	D12/92
D716,188 S *	10/2014	Ramaciotti	D12/92
D718,666 S *	12/2014	Hammoud	D12/92
D719,878 S *	12/2014	Webber	D12/92
D733,616 S *	7/2015	Hammoud	D12/92
2009/0243342 A1 *	10/2009	Christensen	B60J 1/1869 296/193.08

FOREIGN PATENT DOCUMENTS

EM 002120295-0001 10/2012
IN 244546 12/2012

OTHER PUBLICATIONS

“2014 Audi A7.” Audi USA Brochure., May 25, 2013 [online], [retrieved on Sep. 21, 2014]. Retrieved from the Internet <URL: <http://www.audiusa.com/content/dam/audiusa/Documents/2014-Audi-A7-brochure.pdf>>.*
“2015 Audi A7.” Audi USA Brochure., Jul. 7, 2014 [online], [retrieved on Sep. 21, 2014]. Retrieved from the Internet <URL: <http://www.audiusa.com/content/dam/audiusa/Documents/2015-Audi-A7-brochure.pdf>>.*

* cited by examiner

Primary Examiner — Philip S Hyder

Assistant Examiner — Darlington Ly

(74) *Attorney, Agent, or Firm* — Lucas & Mercanti, LLP; Klaus P. Stoffel

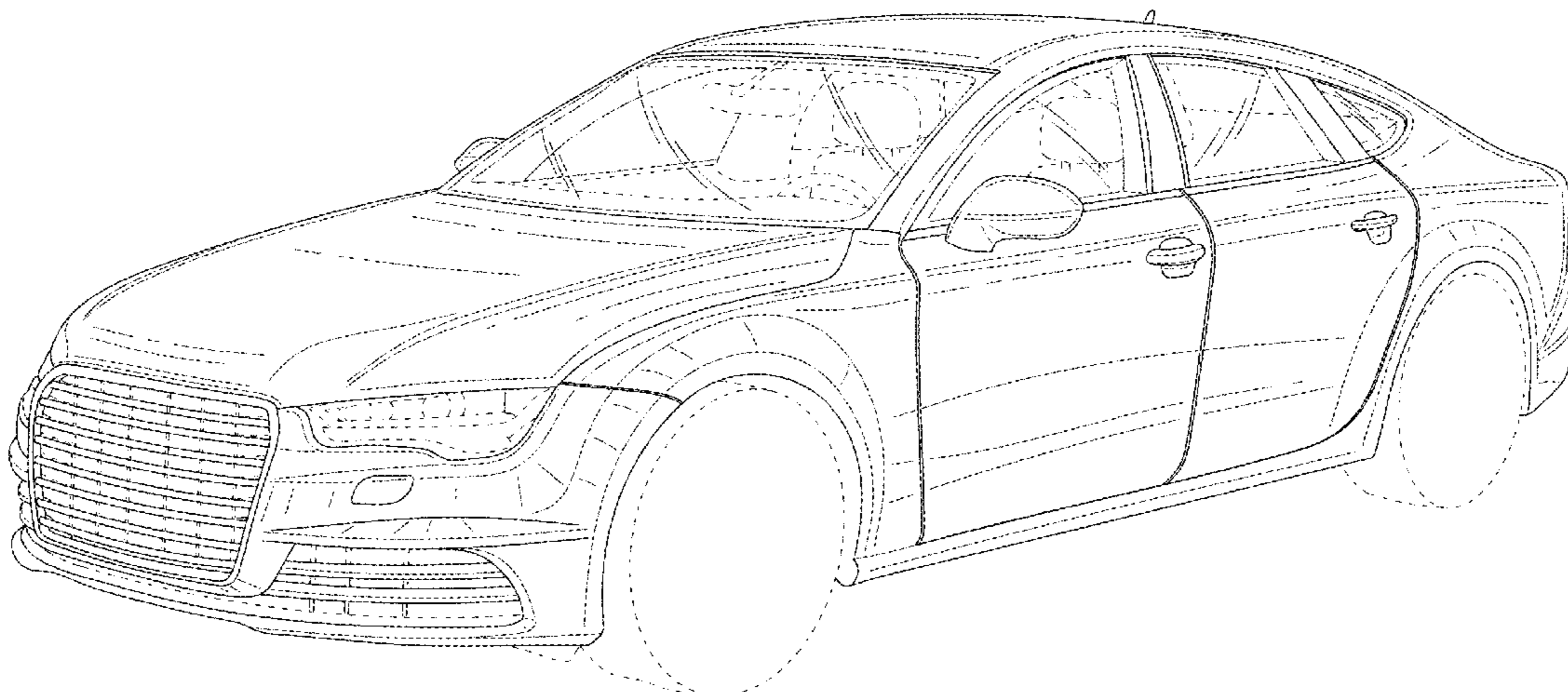
(57) **CLAIM**

The ornamental design for a motor vehicle, as shown and described.

DESCRIPTION

FIG. 1 is a front, right side perspective view of the motor vehicle of the present invention; and
FIG. 2 is a rear, right side perspective view thereof;
FIG. 3 is a front view thereof;
FIG. 4 is a rear view thereof;
FIG. 5 is a right side view thereof;
FIG. 6 is a left side view thereof; and,
FIG. 7 is a top view thereof.
The broken lines in the drawings illustrate portions of the motor vehicle that forms no part of the claimed design.

1 Claim, 7 Drawing Sheets



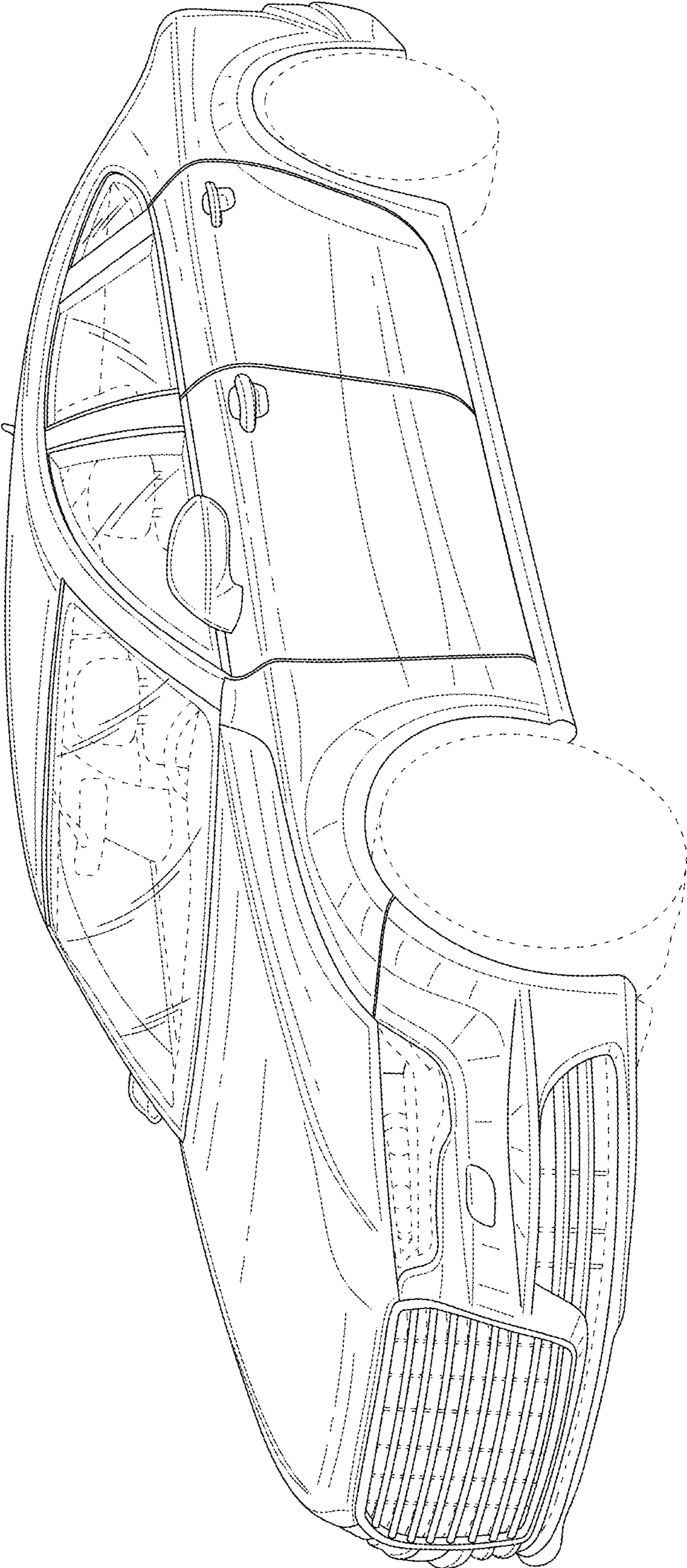


FIG. 1

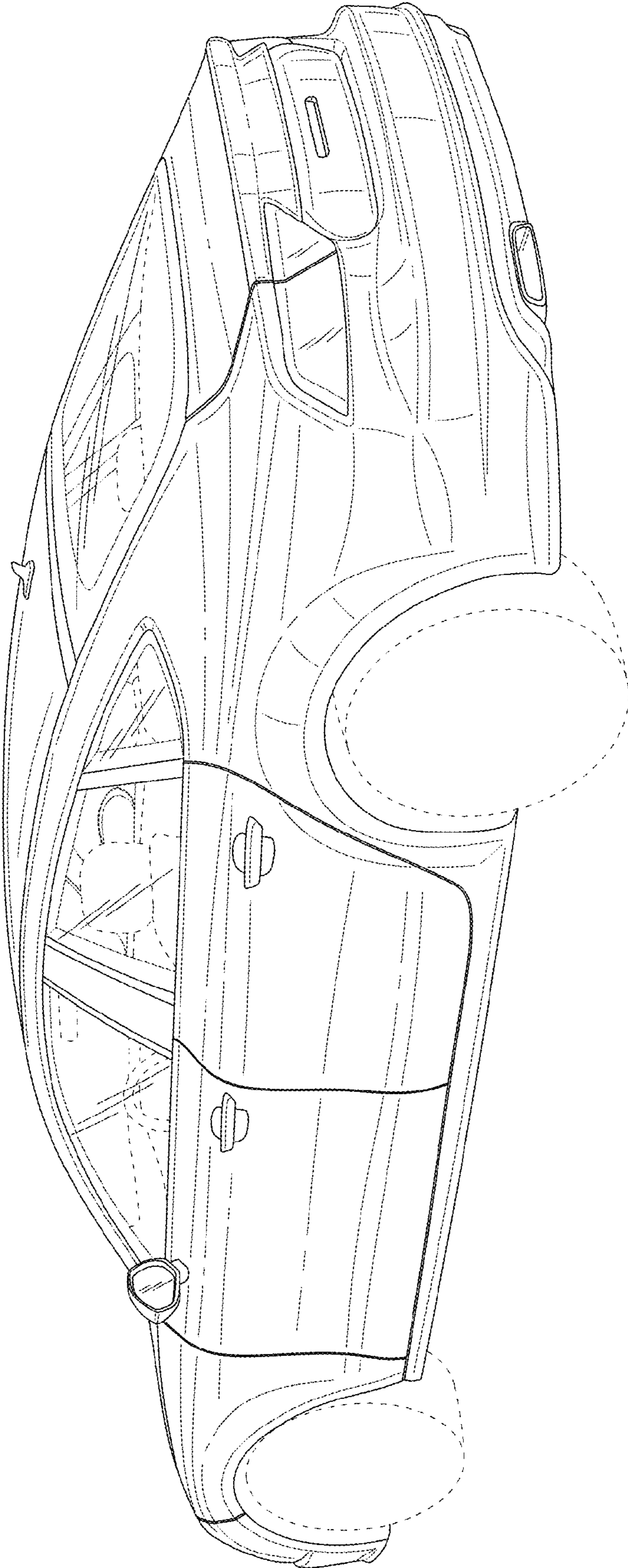


FIG. 2

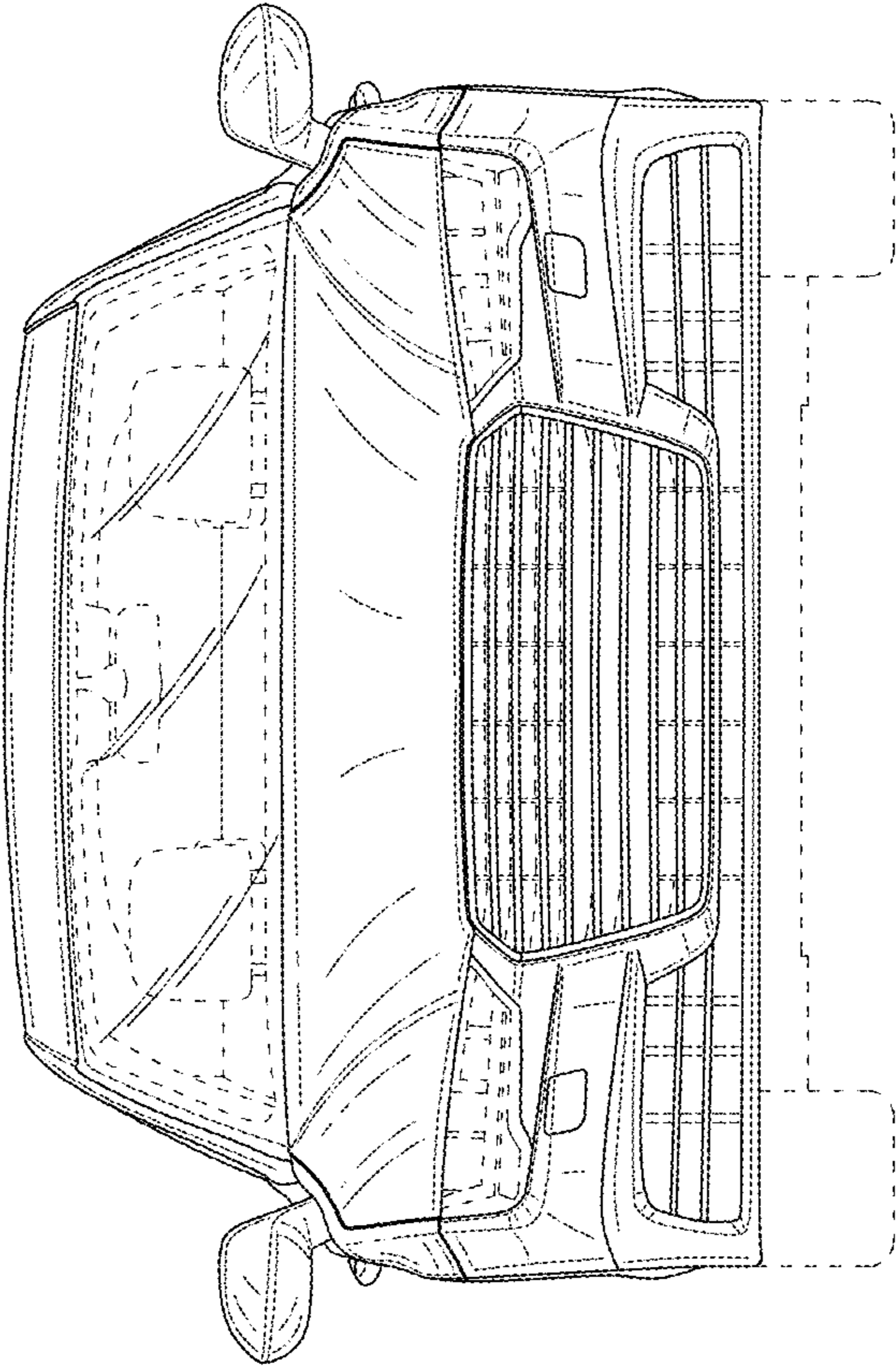


FIG. 3

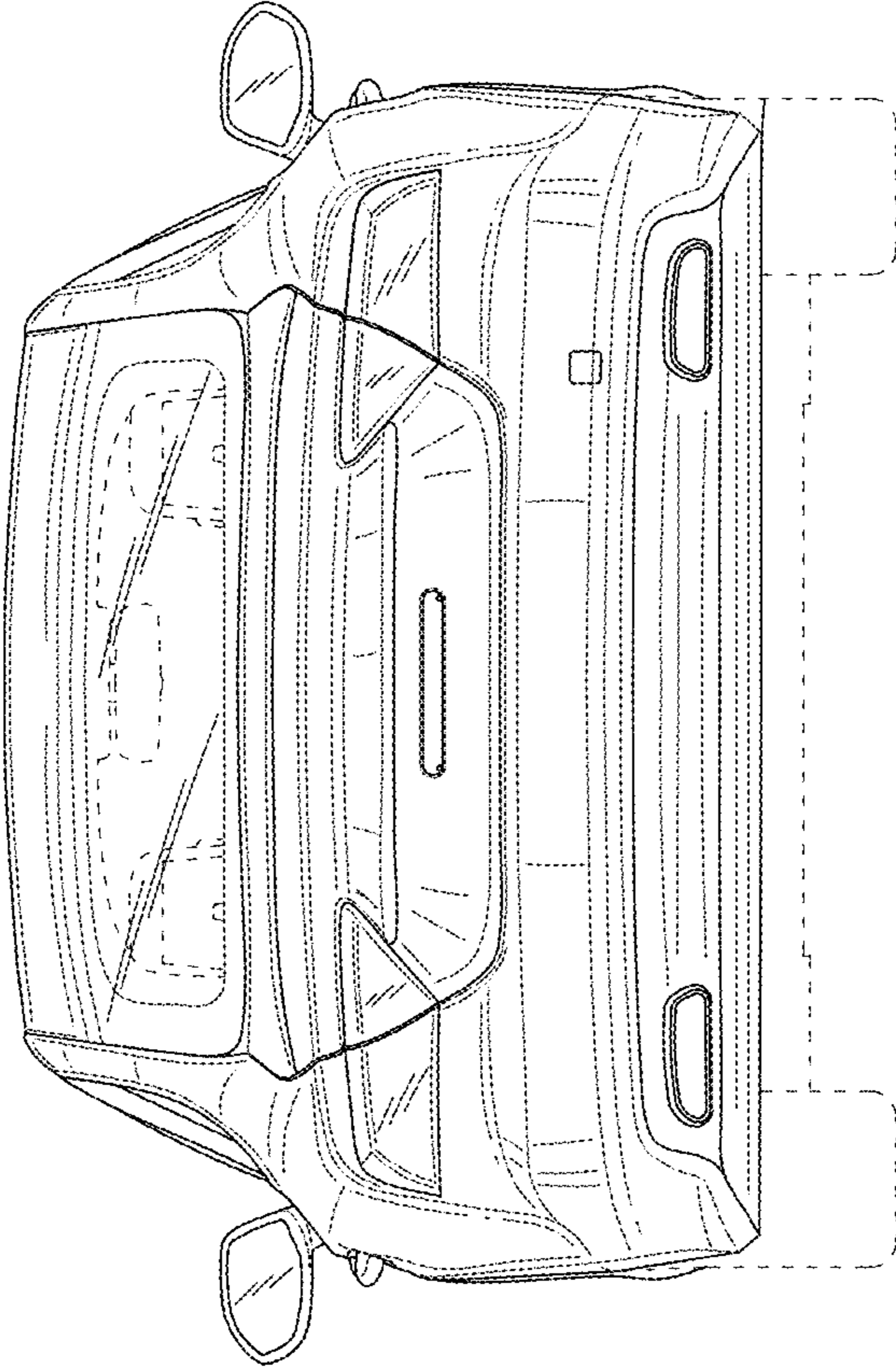


FIG. 4

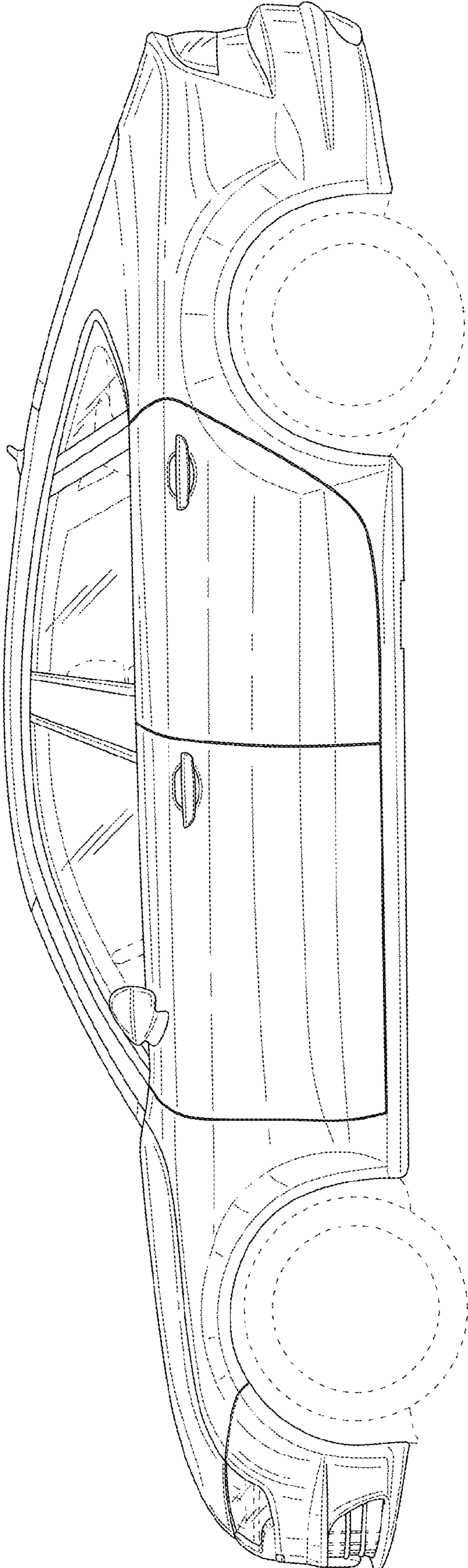


FIG.5

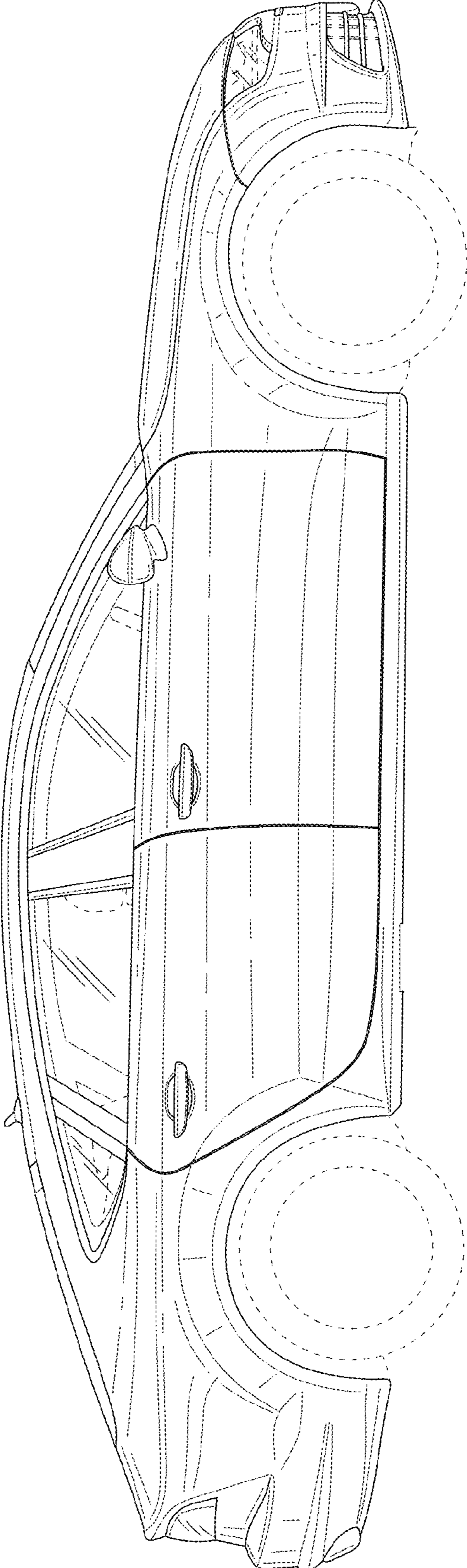


FIG. 6

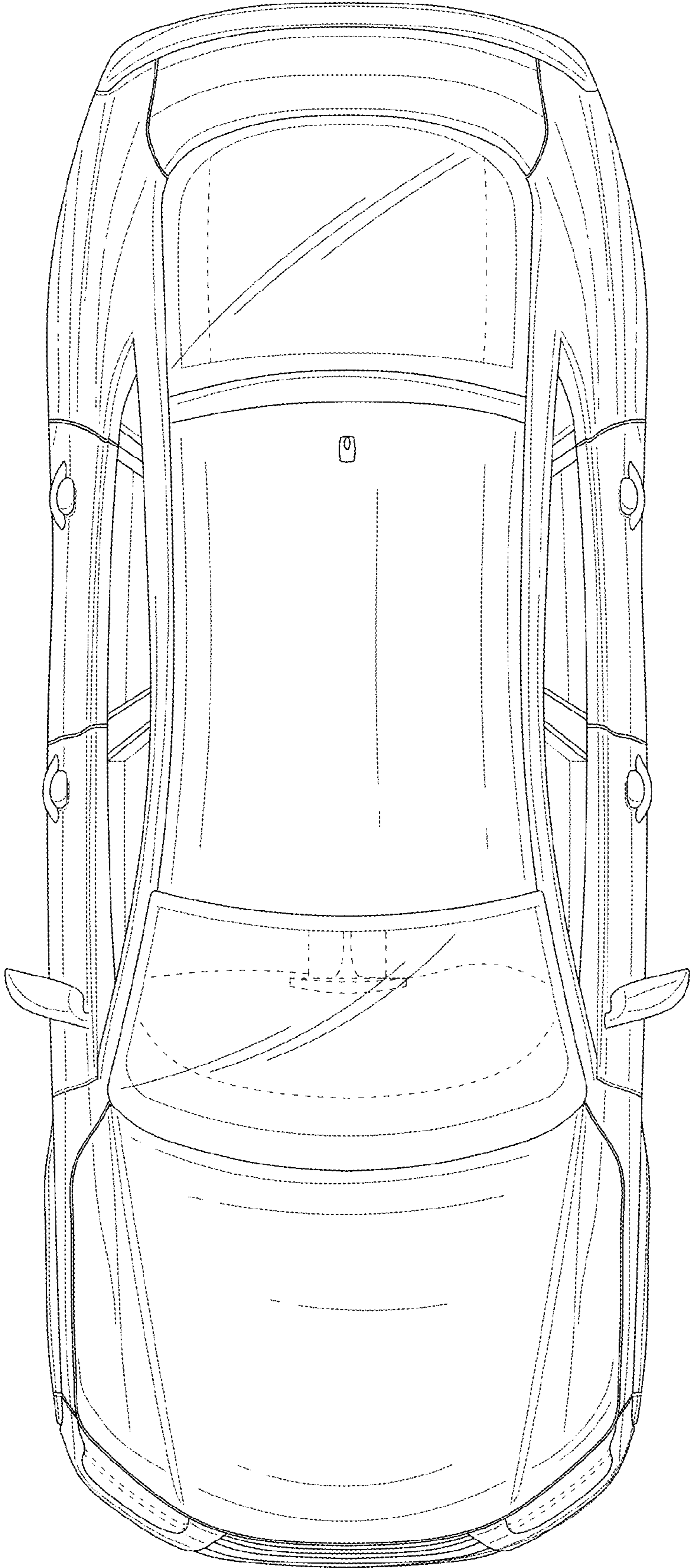


FIG. 7