



US00D756847S

(12) **United States Design Patent**
Nicoghosian et al.

(10) **Patent No.:** **US D756,847 S**

(45) **Date of Patent:** **** May 24, 2016**

(54) **VEHICLE EXTERIOR**

(71) Applicant: **Ford Motor Company**, Dearborn, MI (US)

(72) Inventors: **Garen Nicoghosian**, Bloomfield Hills, MI (US); **Colin R Bonathan**, Wayne, MI (US); **Giancarlo Viganego**, Clawson, MI (US); **Todd Willing**, Birmingham, MI (US); **Craig S Metros**, Bloomfield Hills, MI (US); **Moray S Callum**, Ann Arbor, MI (US); **Christopher Svensson**, Chelmsford (GB)

(73) Assignee: **Ford Motor Company**, Dearborn, MI (US)

(**) Term: **14 Years**

(21) Appl. No.: **29/514,382**

(22) Filed: **Jan. 12, 2015**

(51) **LOC (10) Cl.** **12-08**

(52) **U.S. Cl.**
USPC **D12/88**; D12/92

(58) **Field of Classification Search**
USPC D12/86, 90-92, 88; D21/421, 433, 434;
296/181.1, 181.5
CPC B62D 35/00; B62D 25/00; B62D 25/06;
B62D 33/00
See application file for complete search history.

(56) **References Cited**

U.S. PATENT DOCUMENTS

D469,387 S * 1/2003 Ramaciotti D12/88
D491,843 S * 6/2004 Giugiaro D12/88

D550,124 S * 9/2007 Agullo Spottorno D12/88
D550,126 S * 9/2007 Amprimo D12/88
D710,259 S * 8/2014 Baccino D12/92
D715,690 S * 10/2014 Perini D12/88
D718,667 S * 12/2014 Manzoni D12/92
D734,212 S * 7/2015 Stephenson D12/92
D734,213 S * 7/2015 Stephenson D12/92
D739,789 S * 9/2015 Payne D12/92
D741,753 S * 10/2015 Perini D12/92

* cited by examiner

Primary Examiner — Melody N Brown

(74) *Attorney, Agent, or Firm* — Damian Porcari

(57) **CLAIM**

The ornamental design for a vehicle exterior, as shown and described.

DESCRIPTION

FIG. 1 is a top, front and left side perspective view of a vehicle exterior;
FIG. 2 is a top, rear and left side perspective view thereof;
FIG. 3 is a front elevational view thereof;
FIG. 4 is a rear elevational view thereof;
FIG. 5 is a left side elevational view thereof;
FIG. 6 is a right side elevational view thereof;
FIG. 7 is a top plan view thereof; and,
FIG. 8 is a top, front and left side perspective view thereof with the left door in open position.

1 Claim, 8 Drawing Sheets

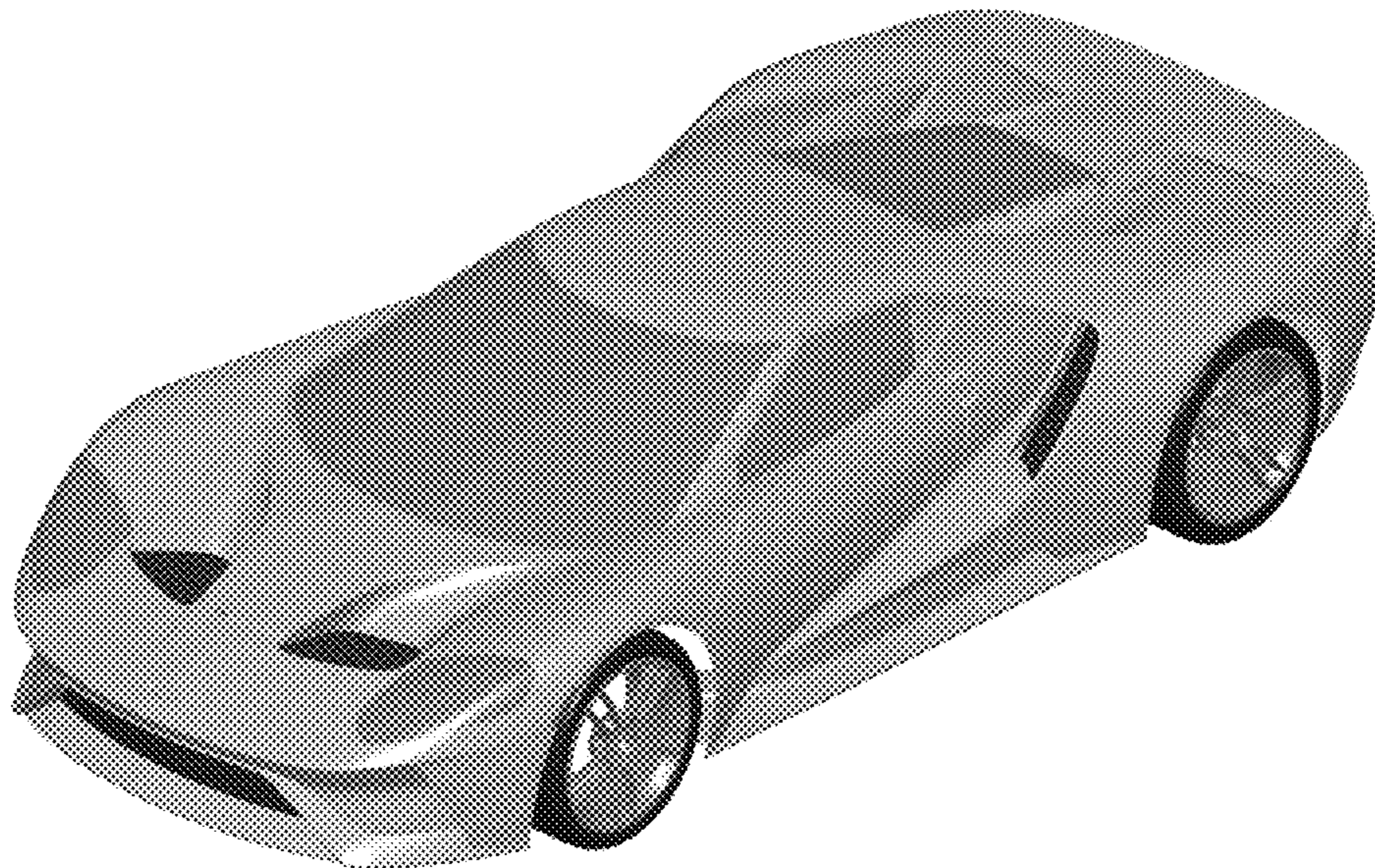




Figure 1

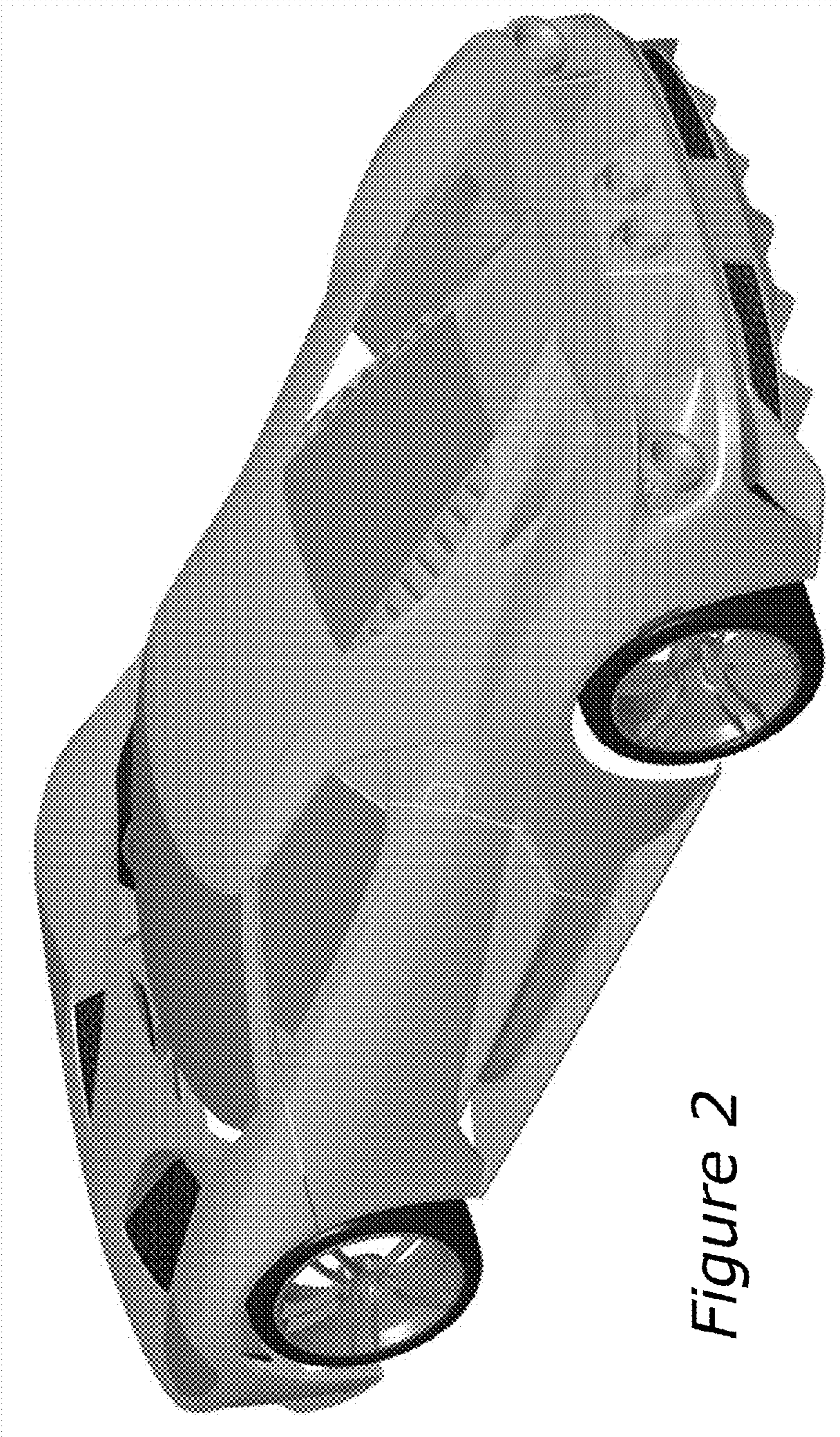


Figure 2

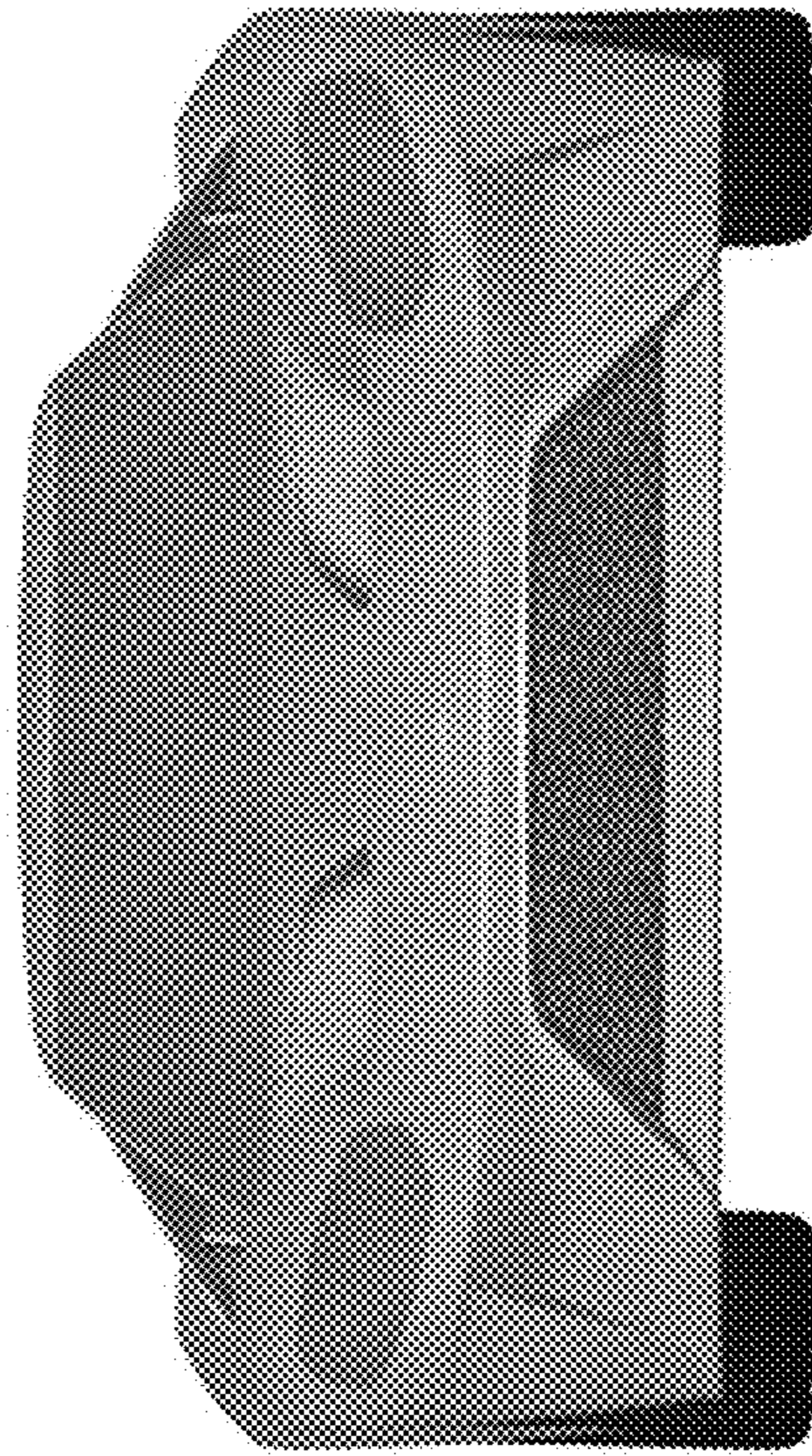


Figure 3

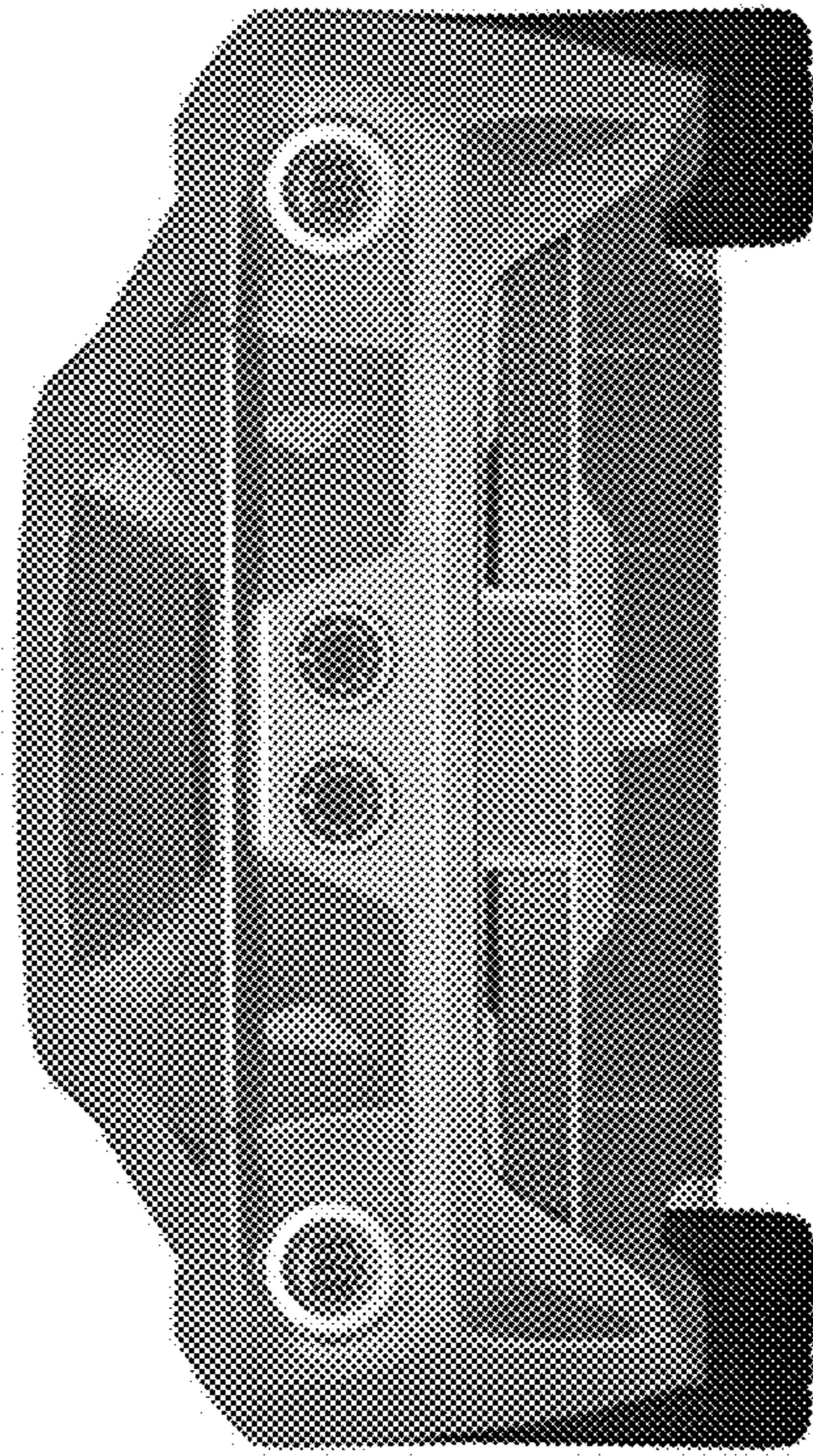


Figure 4

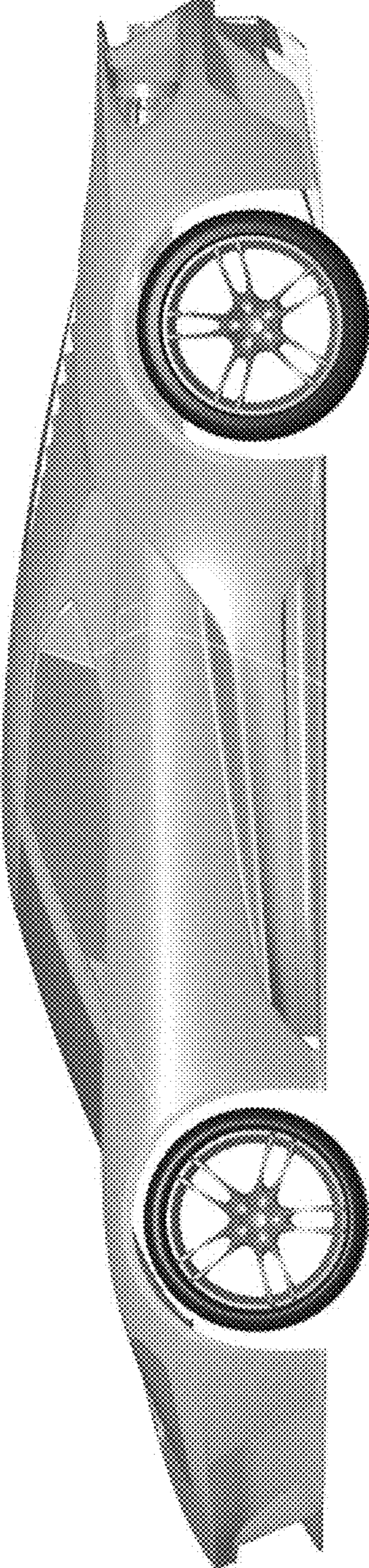


Figure 5

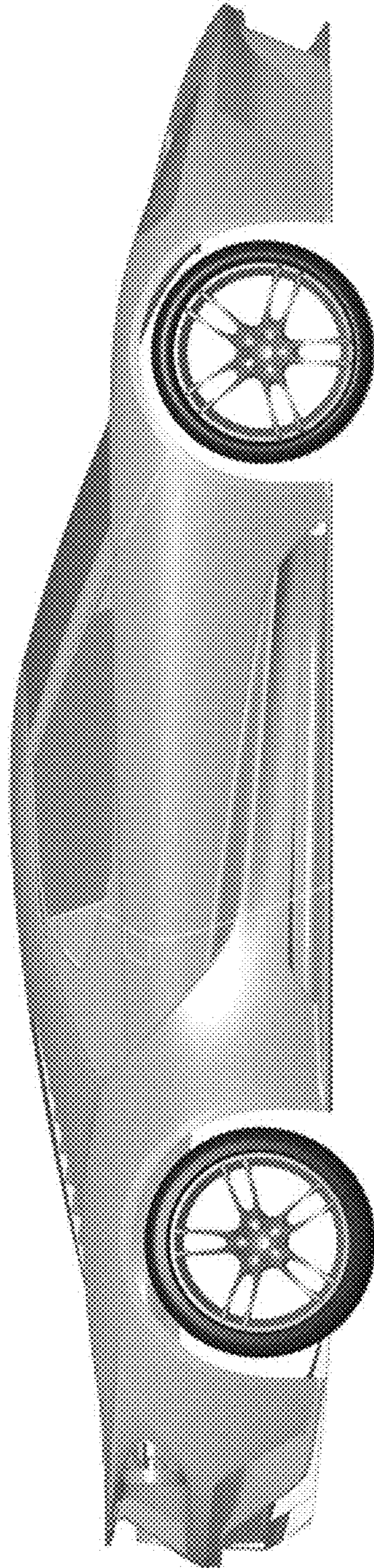


Figure 6

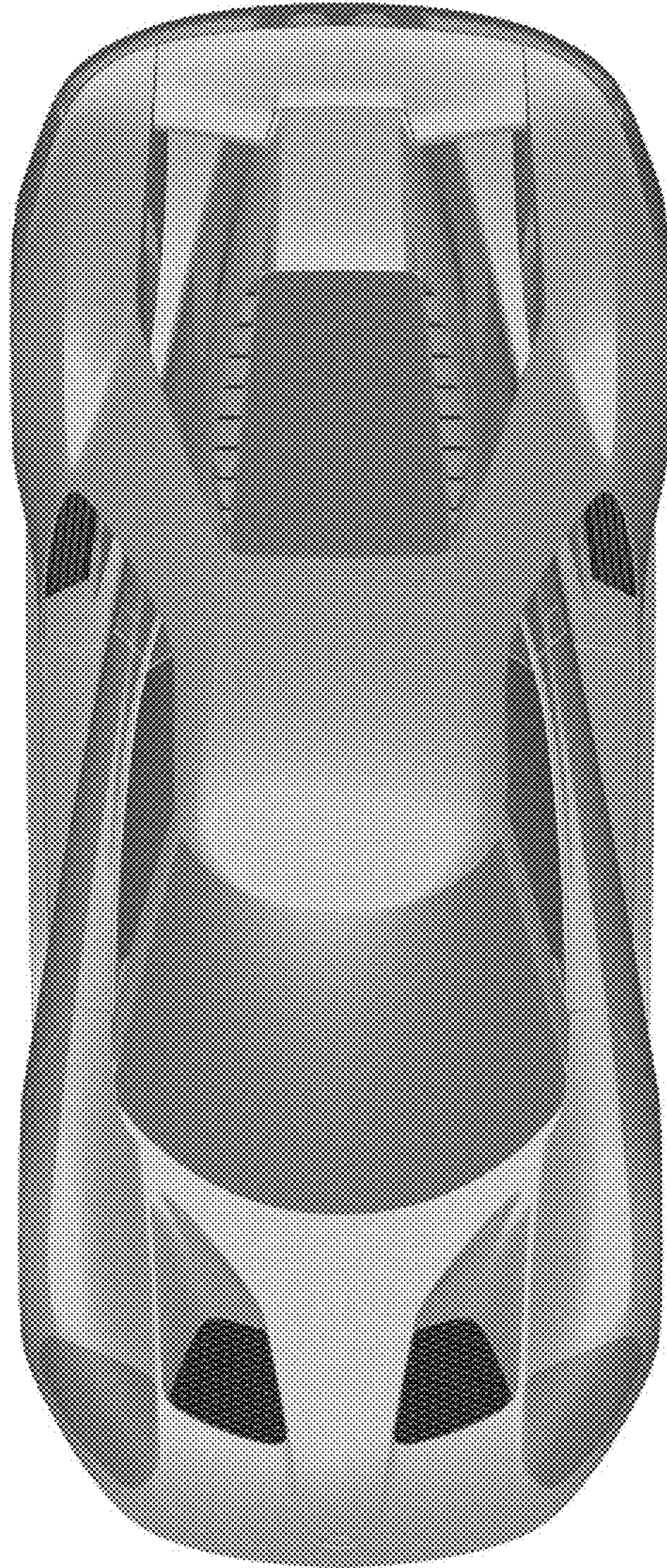


Figure 7

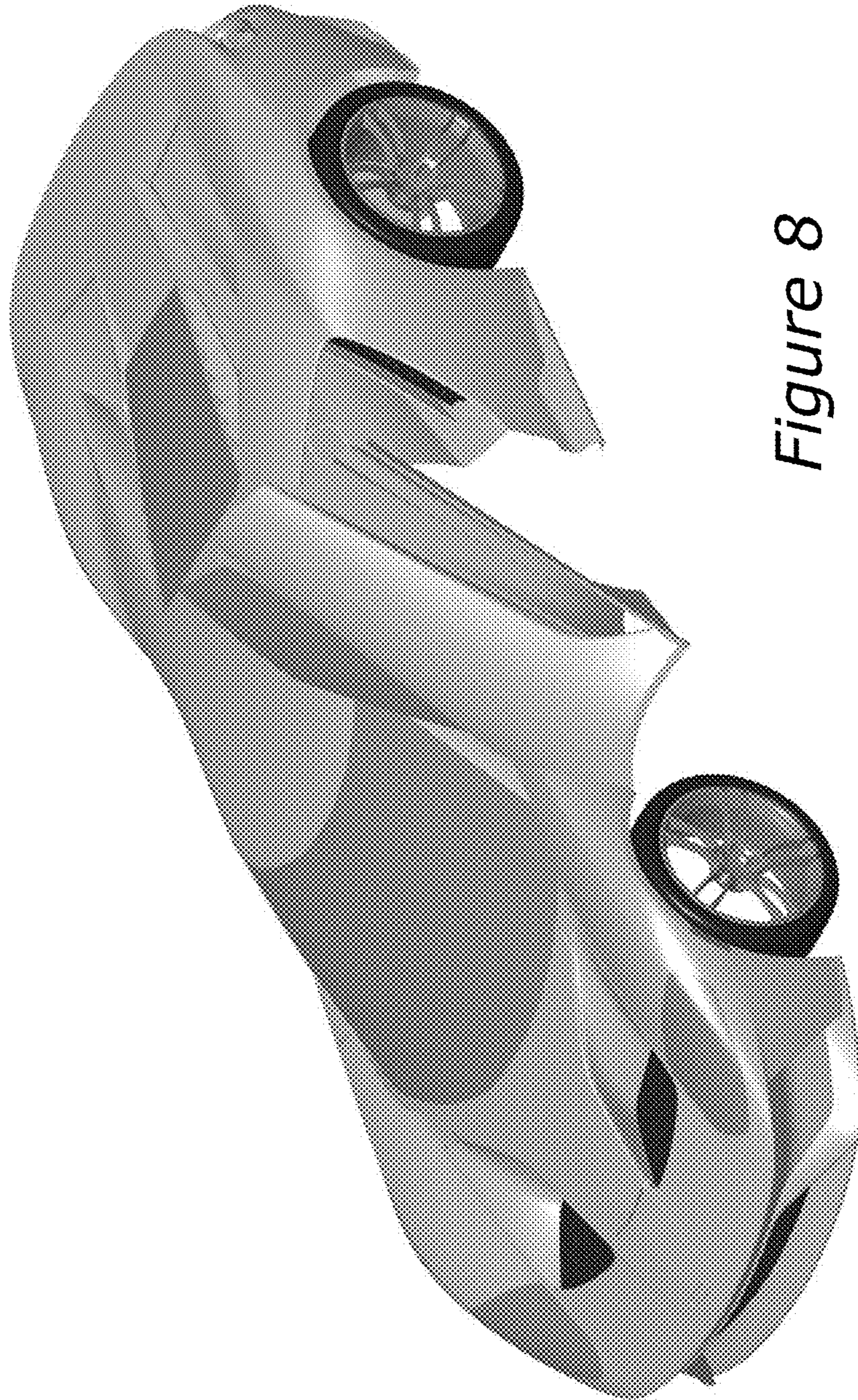


Figure 8