



US00D756845S

(12) **United States Design Patent**
Flores

(10) **Patent No.:** **US D756,845 S**

(45) **Date of Patent:** **** May 24, 2016**

(54) **FOUR WHEELED VEHICLE**
(71) Applicant: **Julio Flores**, Lakewood, CA (US)
(72) Inventor: **Julio Flores**, Lakewood, CA (US)
(73) Assignee: **YAMAHA HATSUDOKI**
KABUSHIKI KAISHA (JP)

7,950,486 B2 * 5/2011 Van Bronkhorst ... B60G 15/063
180/89.11
D699,627 S * 2/2014 Tang D12/14
8,746,719 B2 * 6/2014 Safranski B60G 3/14
280/124.148
2012/0031693 A1 * 2/2012 Deckard B60K 13/02
180/68.3
2014/0210234 A1 * 7/2014 Ricketts B60R 22/24
296/193.03

(**) Term: **14 Years**

FOREIGN PATENT DOCUMENTS

(21) Appl. No.: **29/514,842**

JP 2010014008 A * 1/2010
JP 2010215165 A * 9/2010

(22) Filed: **Jan. 16, 2015**

* cited by examiner

(51) **LOC (10) Cl.** **12-08**

(52) **U.S. Cl.**
USPC **D12/87; D12/14**

Primary Examiner — Philip S Hyder
Assistant Examiner — Darlington Ly
(74) *Attorney, Agent, or Firm* — Ostrolenk Faber LLP

(58) **Field of Classification Search**
USPC D12/3, 4, 5, 14, 85, 86, 87, 107, 110;
280/183–185, DIG. 5, 1, 16, 82, 88, 90,
280/14; 180/233, 908
CPC A01B 59/02; A61G 3/08; B62B 5/04;
B62B 13/10; B62B 19/04; B62B 2202/404;
B62C 9/00; B62D 7/22; B62K 5/01; B60K
23/0808

(57) **CLAIM**
The ornamental design for a four wheeled vehicle, as shown and described.

See application file for complete search history.

DESCRIPTION

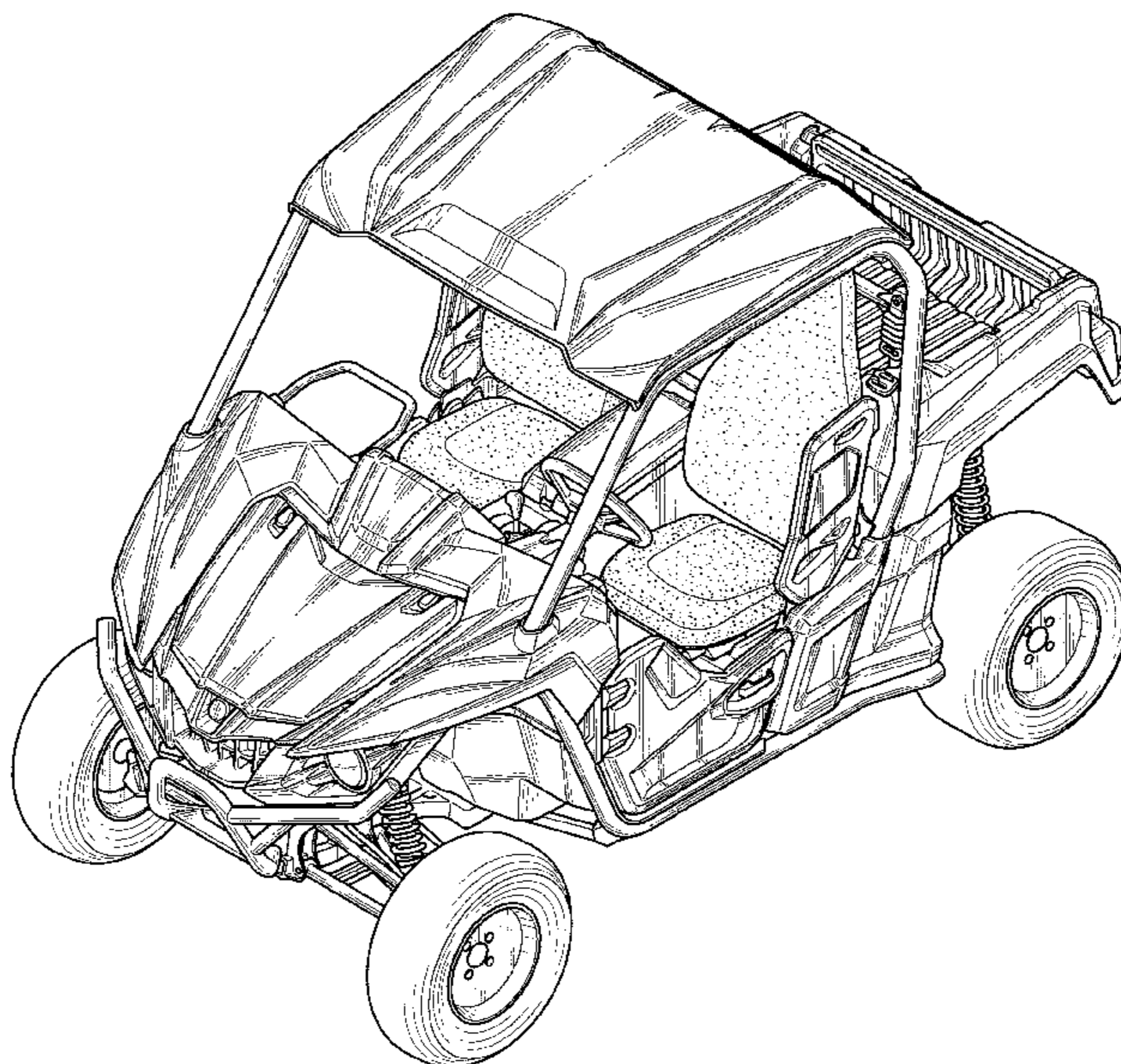
(56) **References Cited**

U.S. PATENT DOCUMENTS

7,140,670 B2 * 11/2006 Olson B62D 33/06
280/756
D555,036 S * 11/2007 Eck D12/87
D578,934 S * 10/2008 Tanaka D12/14
D586,694 S * 2/2009 Huang D12/14
D622,631 S * 8/2010 Lai D12/87
D625,662 S * 10/2010 Li D12/87
D631,395 S * 1/2011 Tandrup D12/14
D633,006 S * 2/2011 Sanschagrin D12/1

FIG. 1 is a left side, front, perspective view of a four wheeled vehicle showing my new design;
FIG. 2 is a left side, rear perspective view thereof;
FIG. 3 is a front view thereof;
FIG. 4 is a rear view thereof;
FIG. 5 is a right side view thereof;
FIG. 6 is a left side view thereof; and,
FIG. 7 is a top view thereof.
A view of the bottom is omitted as the bottom is devoid of surface ornamentation and forms no part of the claimed design.

1 Claim, 7 Drawing Sheets



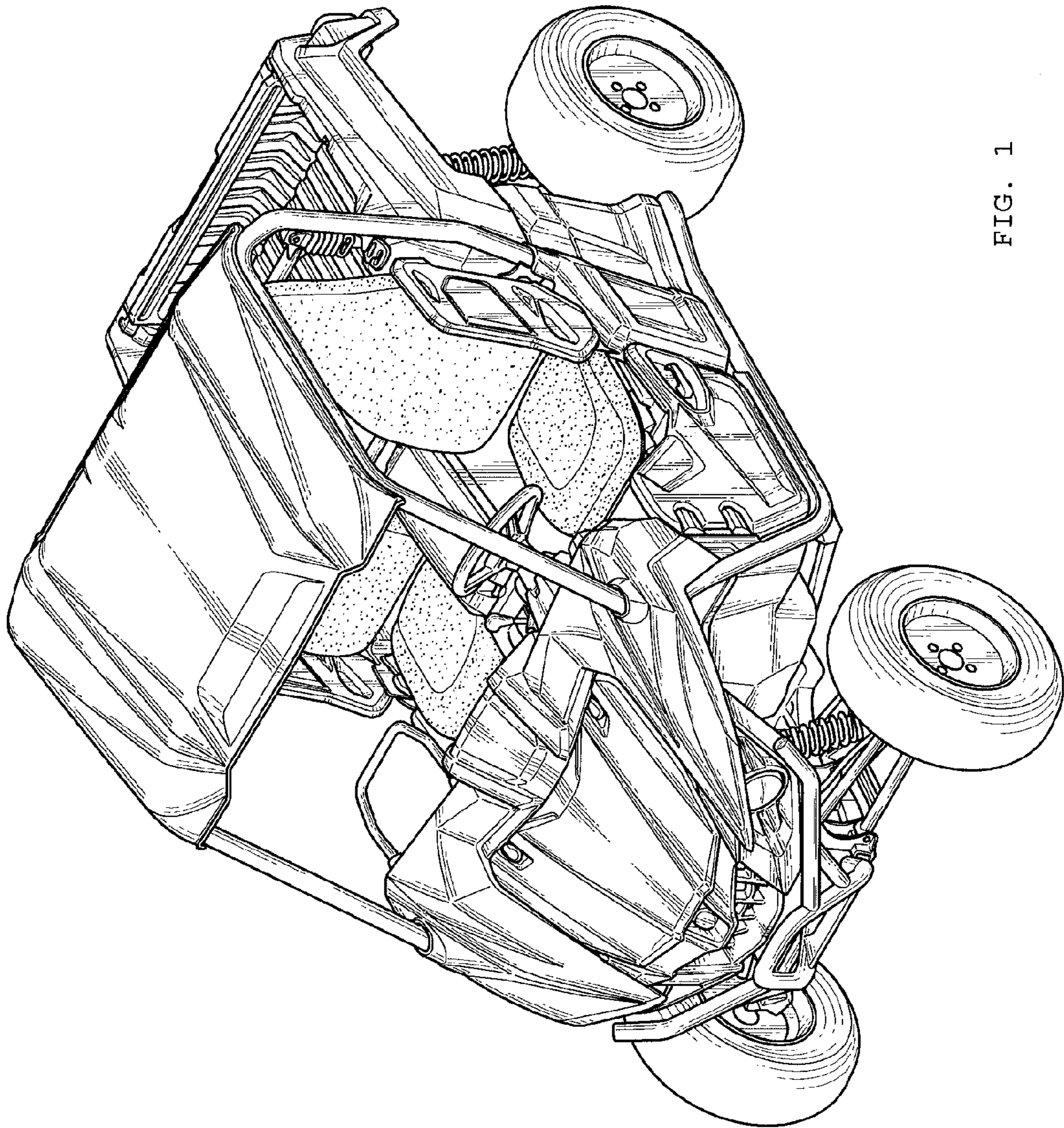


FIG. 1

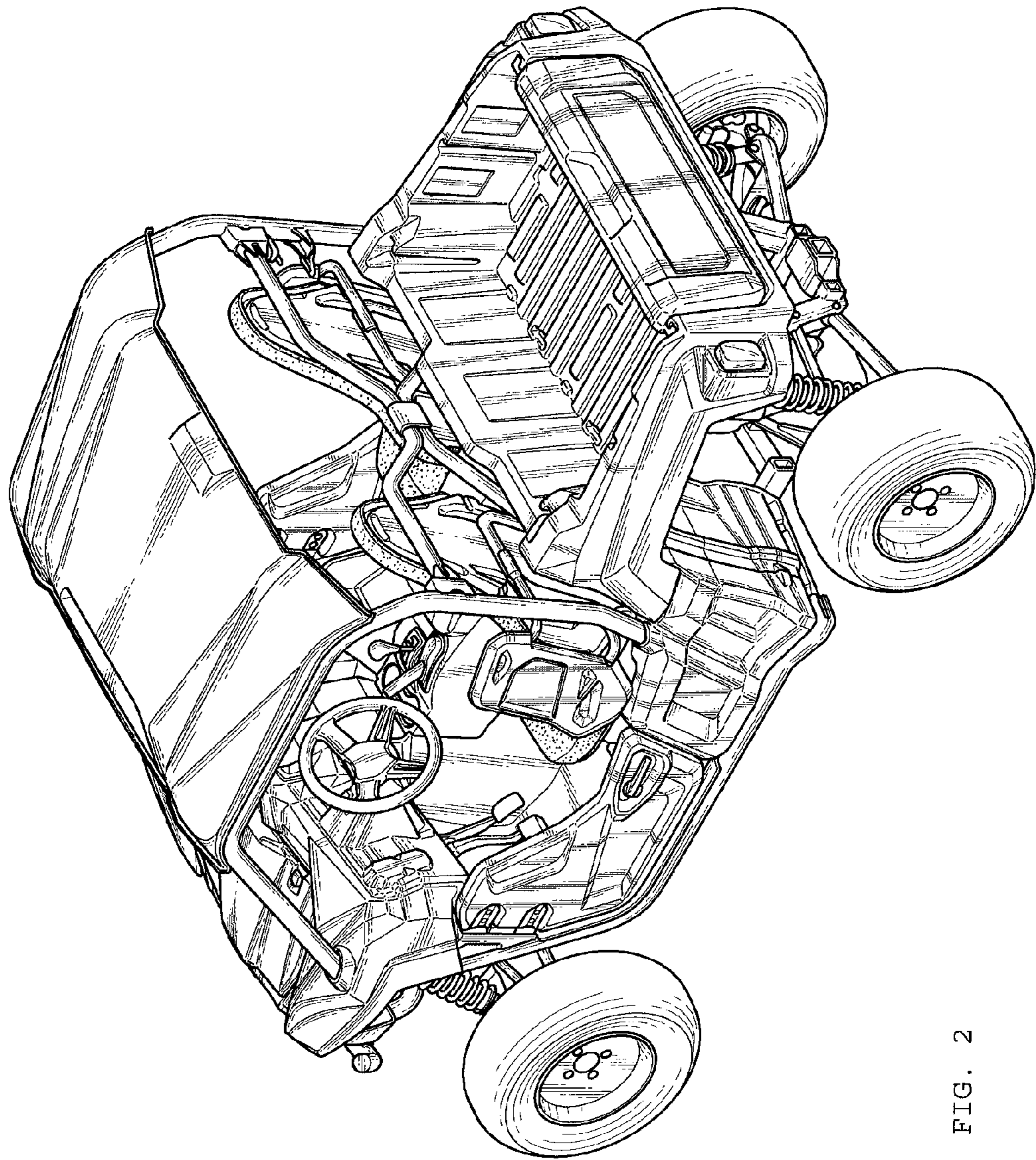


FIG. 2

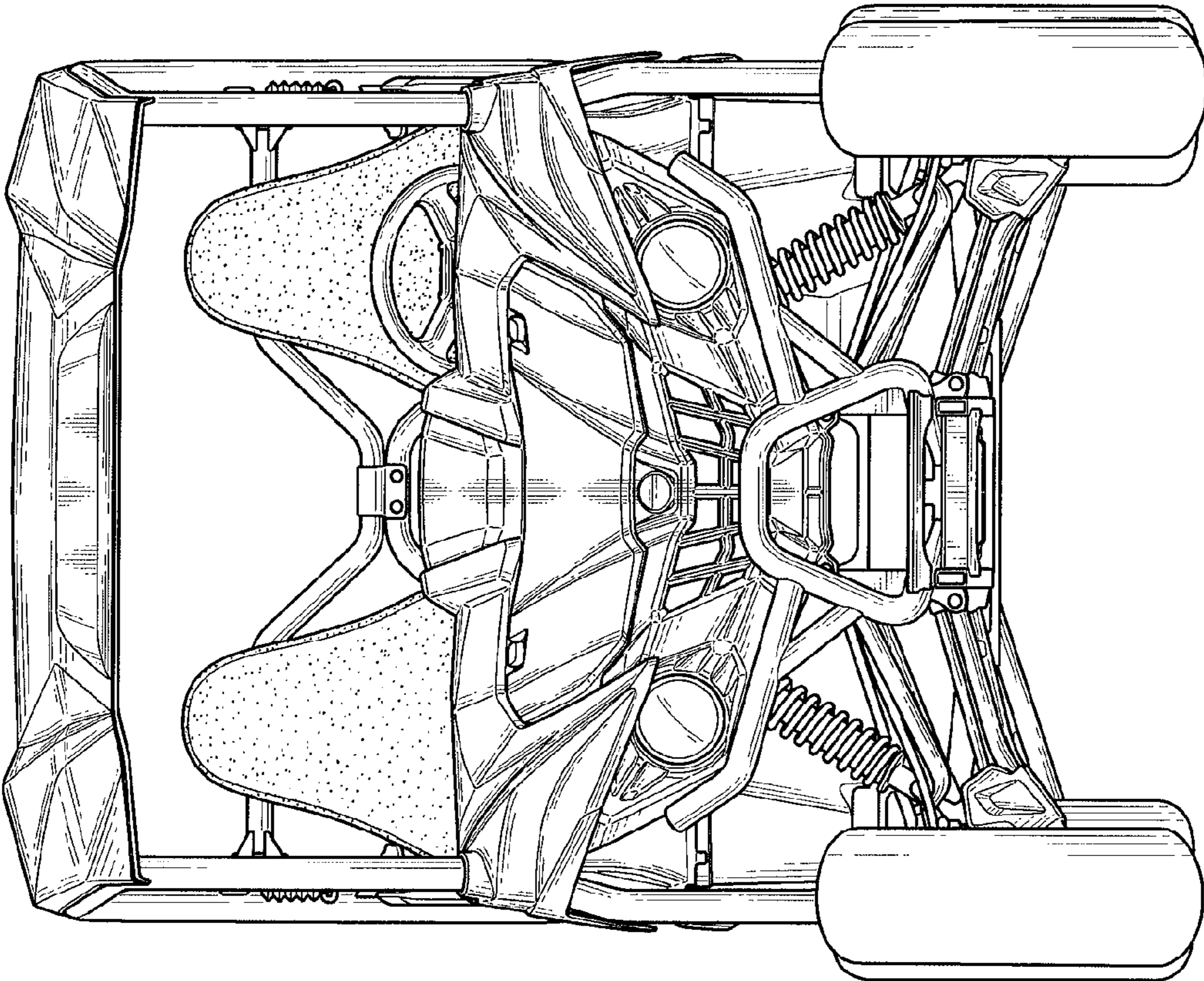


FIG. 3

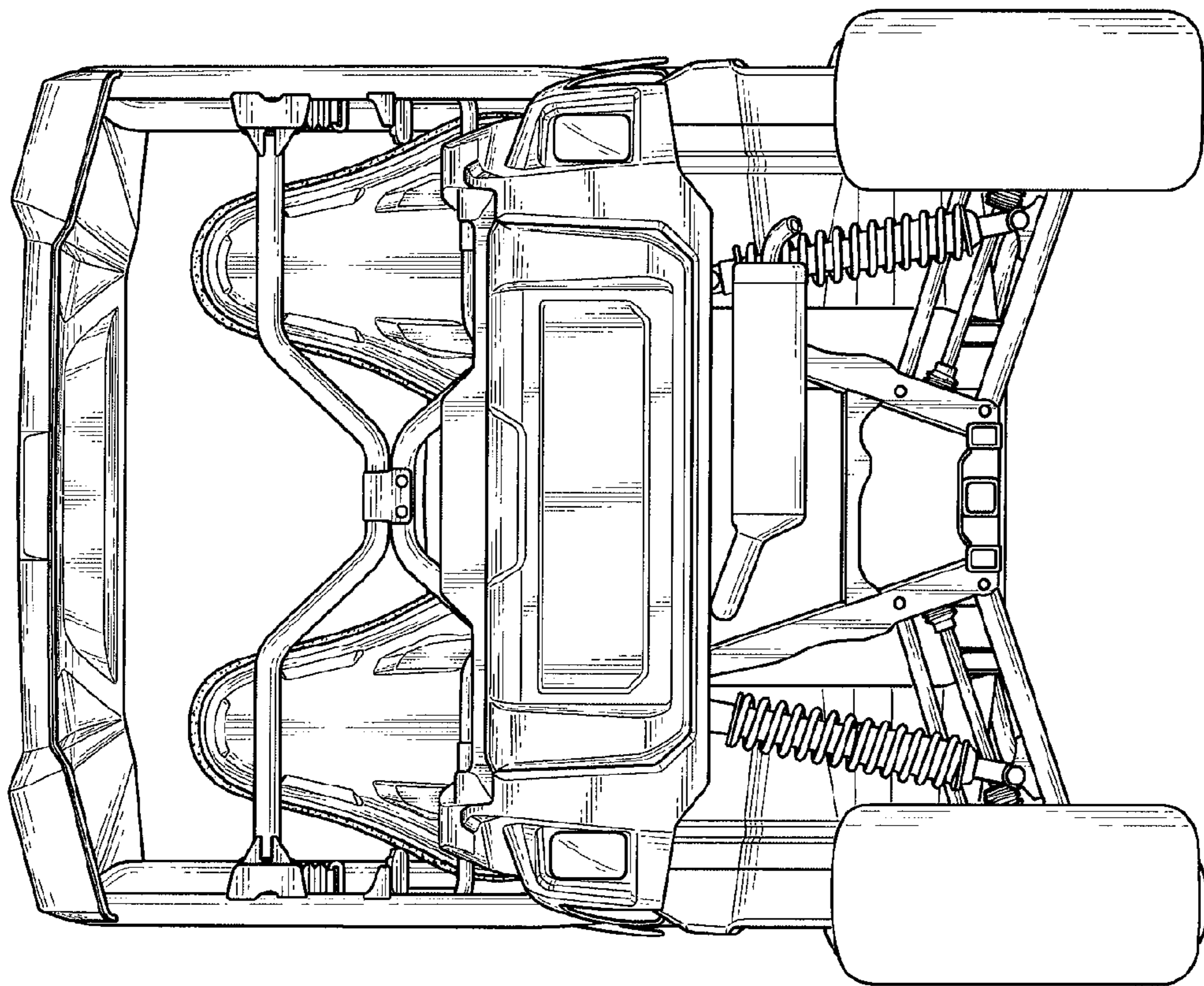


FIG. 4

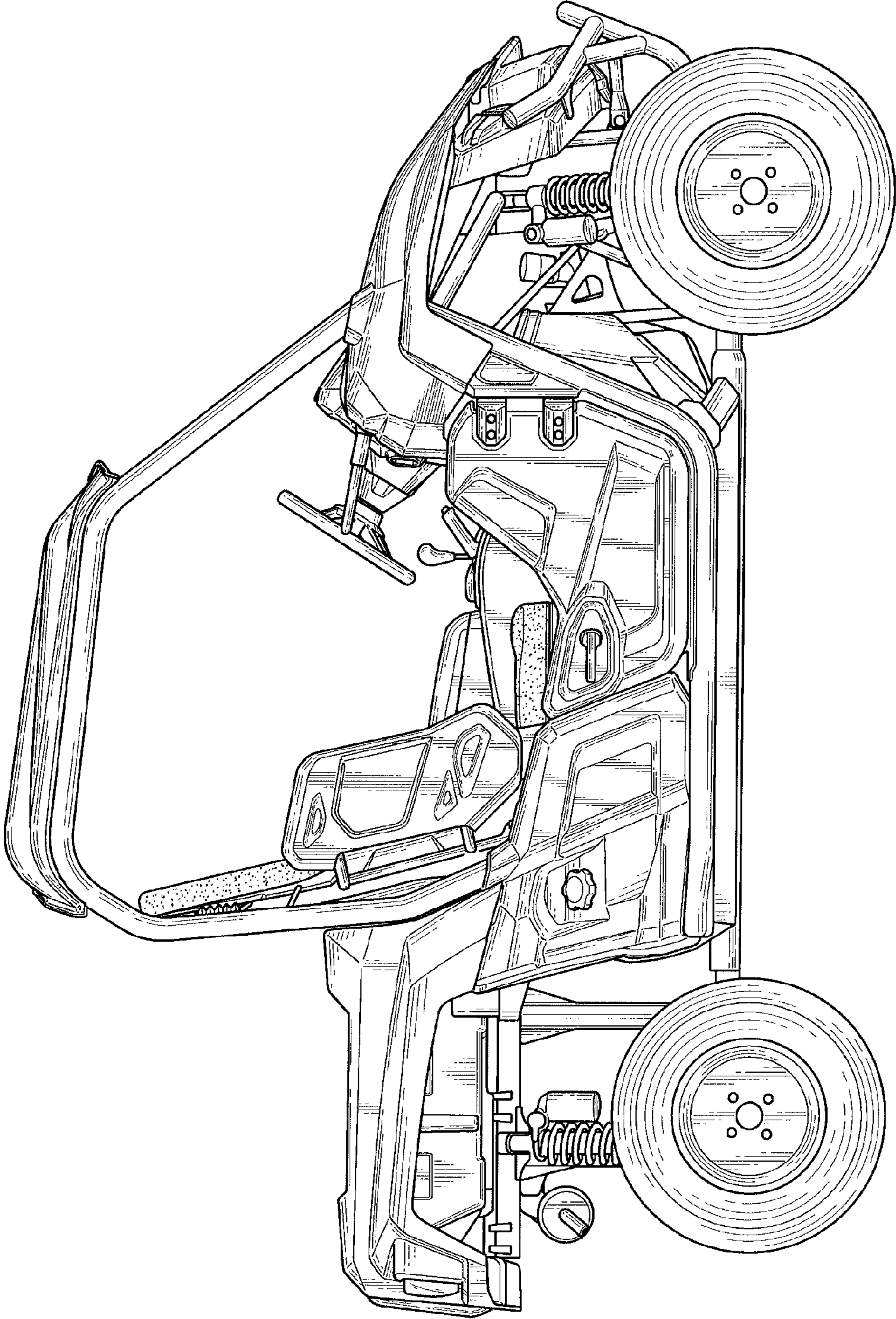


FIG. 5

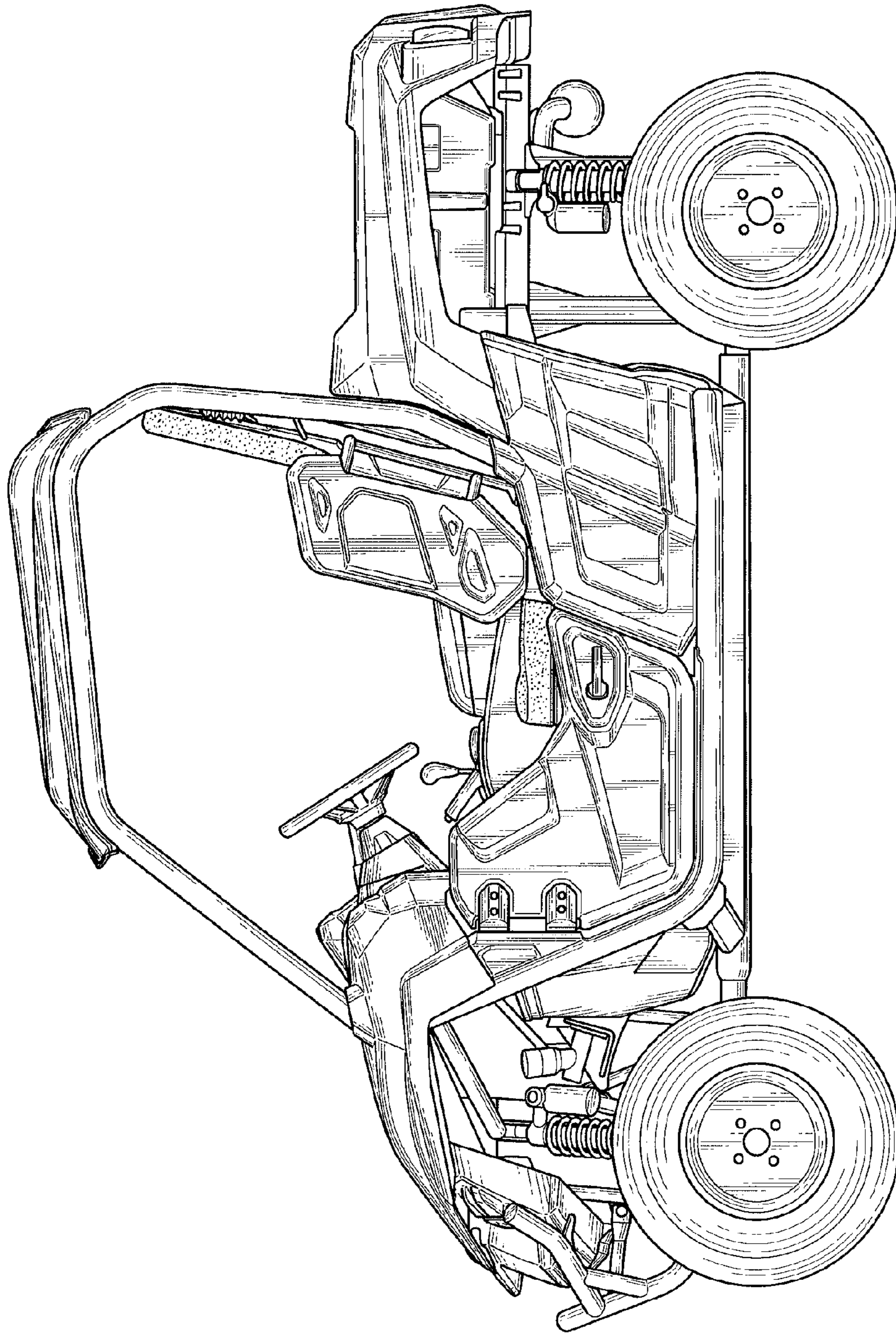


FIG. 6

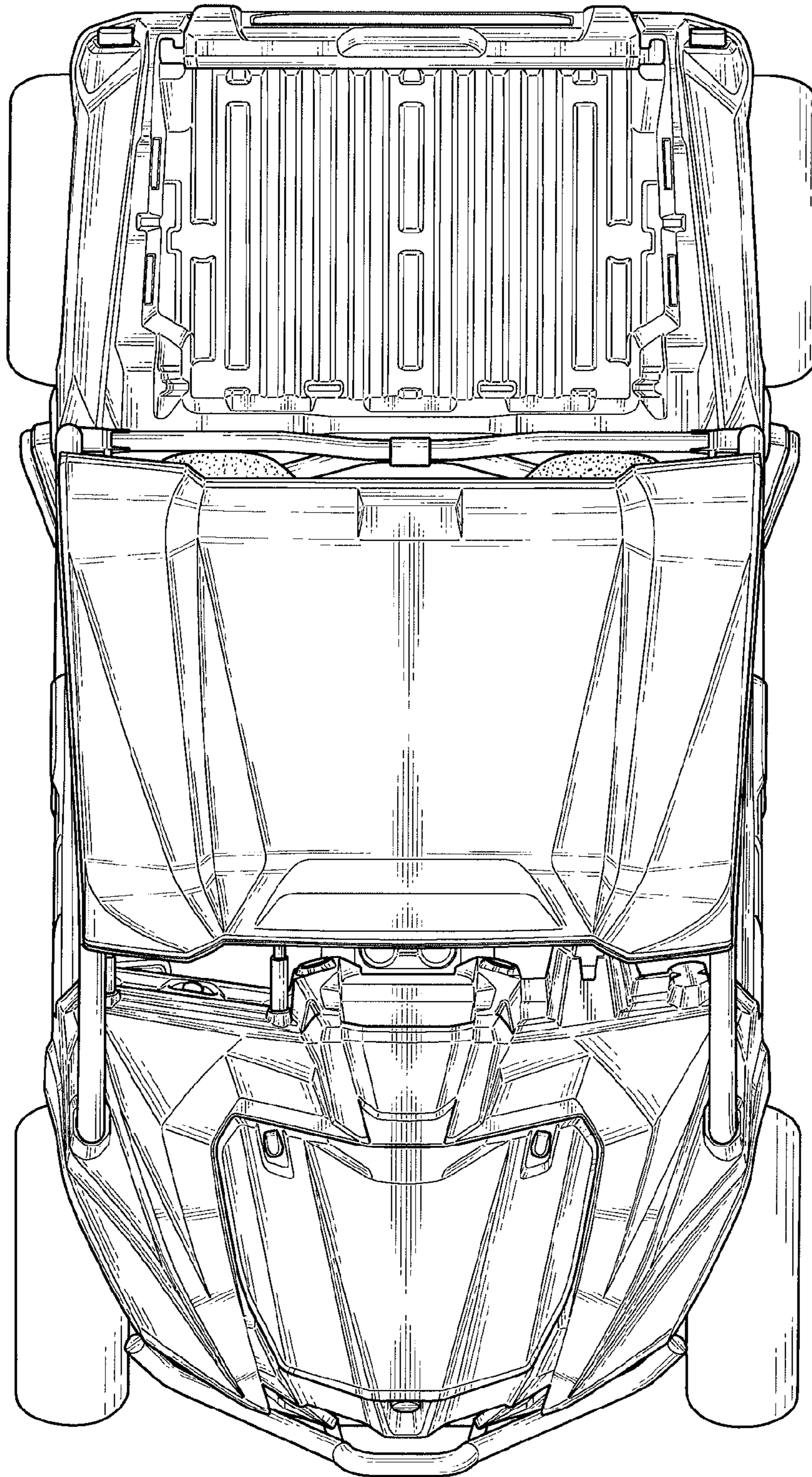


FIG. 7