



US00D756844S

(12) **United States Design Patent**
Almes et al.

(10) **Patent No.:** **US D756,844 S**

(45) **Date of Patent:** **** May 24, 2016**

(54) **CURVE BLOCK**

(71) Applicant: **L. B. Foster Company**, Pittsburgh, PA (US)

(72) Inventors: **Scott Almes**, Pittsburgh, PA (US);
Robert Alsop, Tucker, GA (US);
Korhan Ciloglu, Pittsburgh, PA (US)

(73) Assignee: **L.B. Foster Company**, Pittsburgh, PA (US)

(**) Term: **14 Years**

(21) Appl. No.: **29/449,487**

(22) Filed: **Mar. 15, 2013**

(51) **LOC (10) Cl.** **12-03**

(52) **U.S. Cl.**
USPC **D12/50**

(58) **Field of Classification Search**
USPC D12/50, 51, 49, 48, 47, 42, 43, 45;
295/42, 44, 45, 36.1; 198/400;
238/349, 310, 283, 338, 122, 123, 319,
238/303, 287, 282, 342, 343, 350
See application file for complete search history.

(56) **References Cited**

U.S. PATENT DOCUMENTS

398,563	A *	2/1889	Willford	238/149
451,386	A *	4/1891	Sintzenich	238/269
1,863,145	A *	6/1932	Young	238/331
2,819,926	A *	1/1958	Wood	239/29
3,826,424	A *	7/1974	McClung et al.	238/264
3,945,566	A *	3/1976	Bush	238/349

4,266,720	A *	5/1981	Harmsen	238/349
4,484,706	A *	11/1984	Duchemin	238/349
5,096,118	A *	3/1992	Matlock	238/298
6,305,613	B1 *	10/2001	Igwemezie	238/287
7,156,319	B2 *	1/2007	Kowalski	238/265
7,717,352	B2 *	5/2010	Loffelsend et al.	238/382
D632,220	S *	2/2011	Belokin	D12/51
8,413,910	B2 *	4/2013	Bosterling et al.	238/264
2010/0193598	A1 *	8/2010	Couvreur et al.	238/351
2011/0068182	A1 *	3/2011	Bosterling et al.	238/264
2011/0068184	A1 *	3/2011	Rademacher et al.	238/282
2014/0124588	A1 *	5/2014	Harkness	238/287

* cited by examiner

Primary Examiner — Eric Goodman

Assistant Examiner — Clese Moore, Jr.

(74) *Attorney, Agent, or Firm* — Paul D. Bangor, Jr.; Clark Hill, PLC

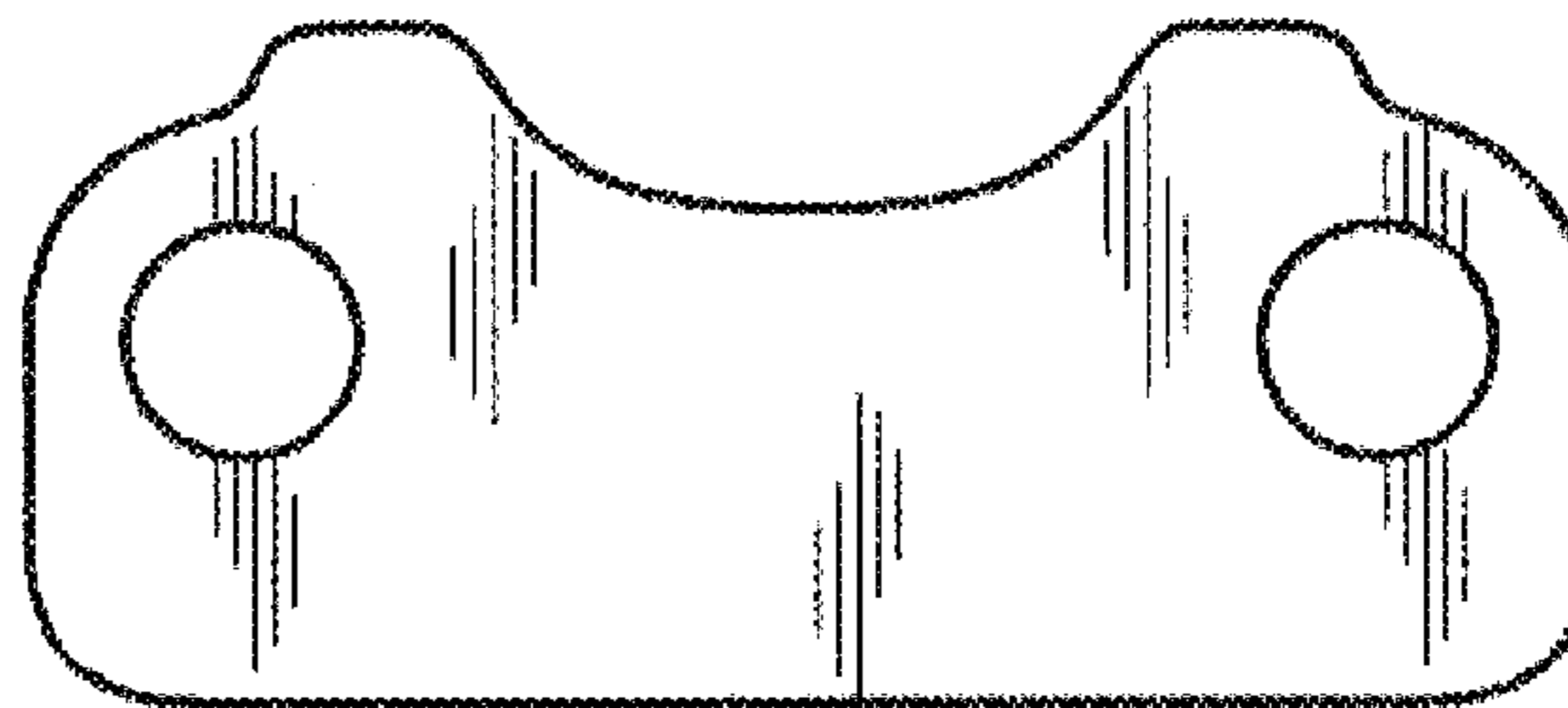
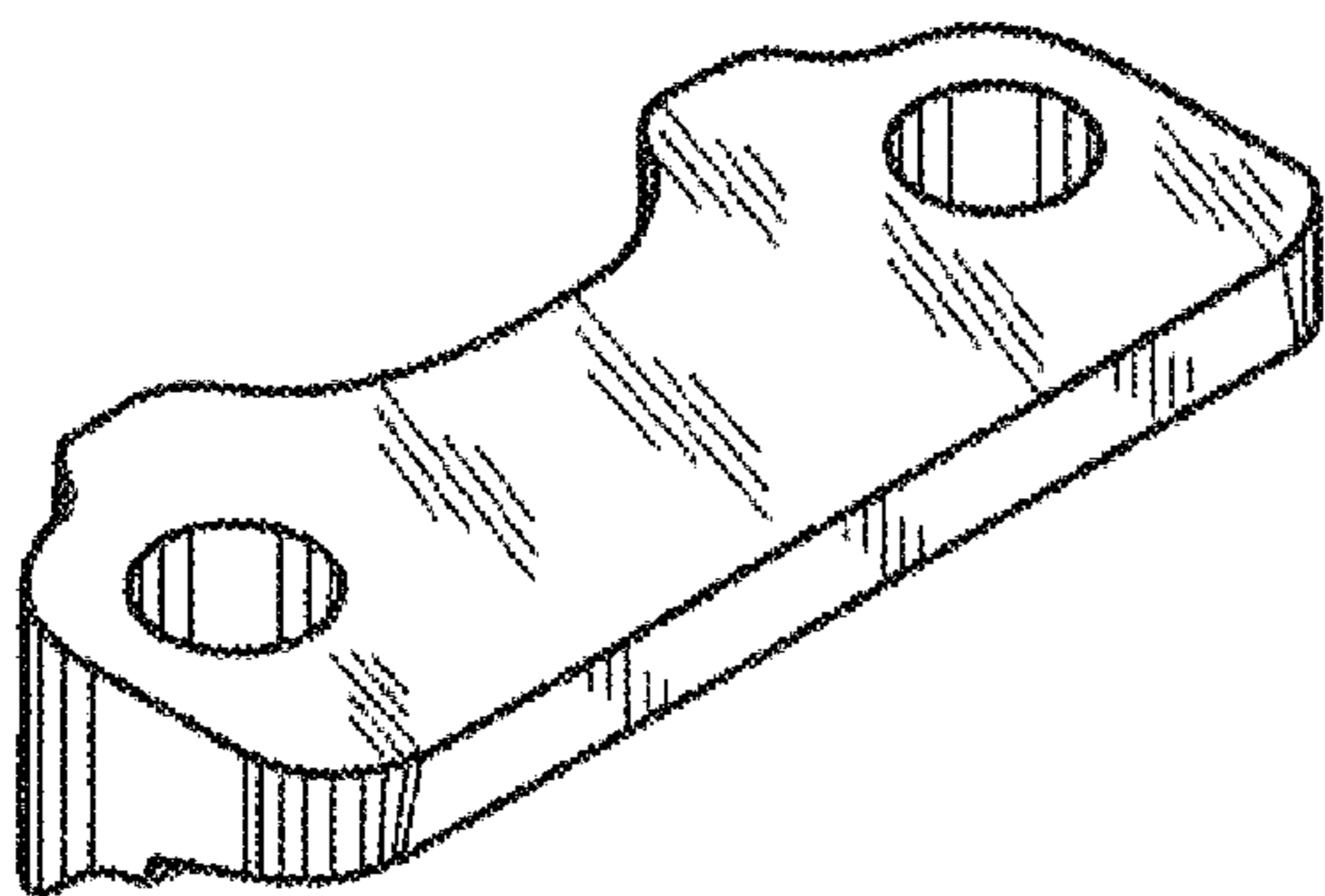
(57) **CLAIM**

The ornamental design for a curve block, as shown and described.

DESCRIPTION

FIG. 1 is a top left perspective view of the curve block of the present design;
FIG. 2 is a top plan view thereof;
FIG. 3 is a top right perspective view thereof;
FIG. 4 is a left elevational view thereof;
FIG. 5 is a front elevational view thereof;
FIG. 6 is a right elevational view thereof;
FIG. 7 is a bottom left perspective view thereof;
FIG. 8 is a bottom plan view thereof;
FIG. 9 is a bottom right perspective view thereof; and,
FIG. 10 is a rear elevational view thereof.

1 Claim, 1 Drawing Sheet



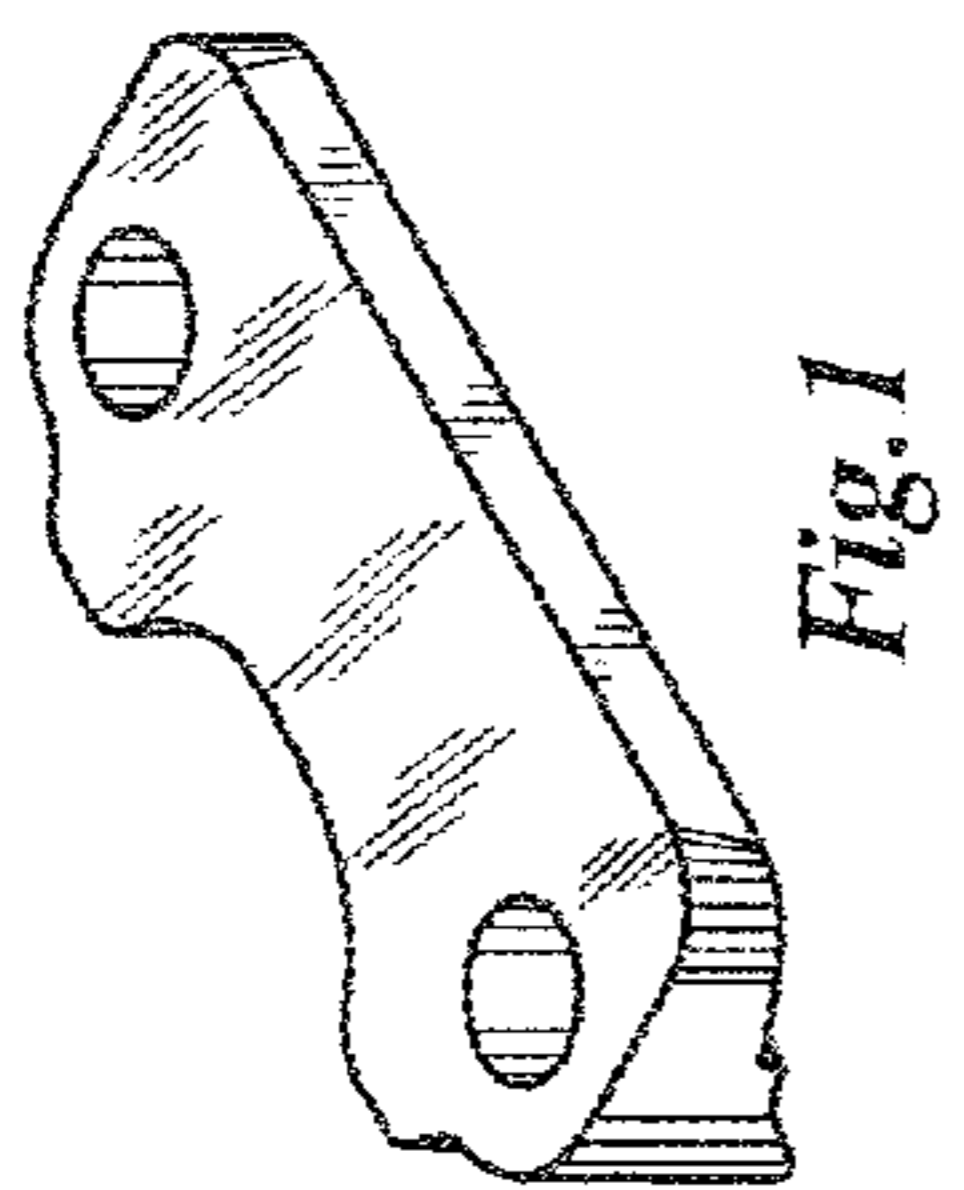


Fig. 1



Fig. 4

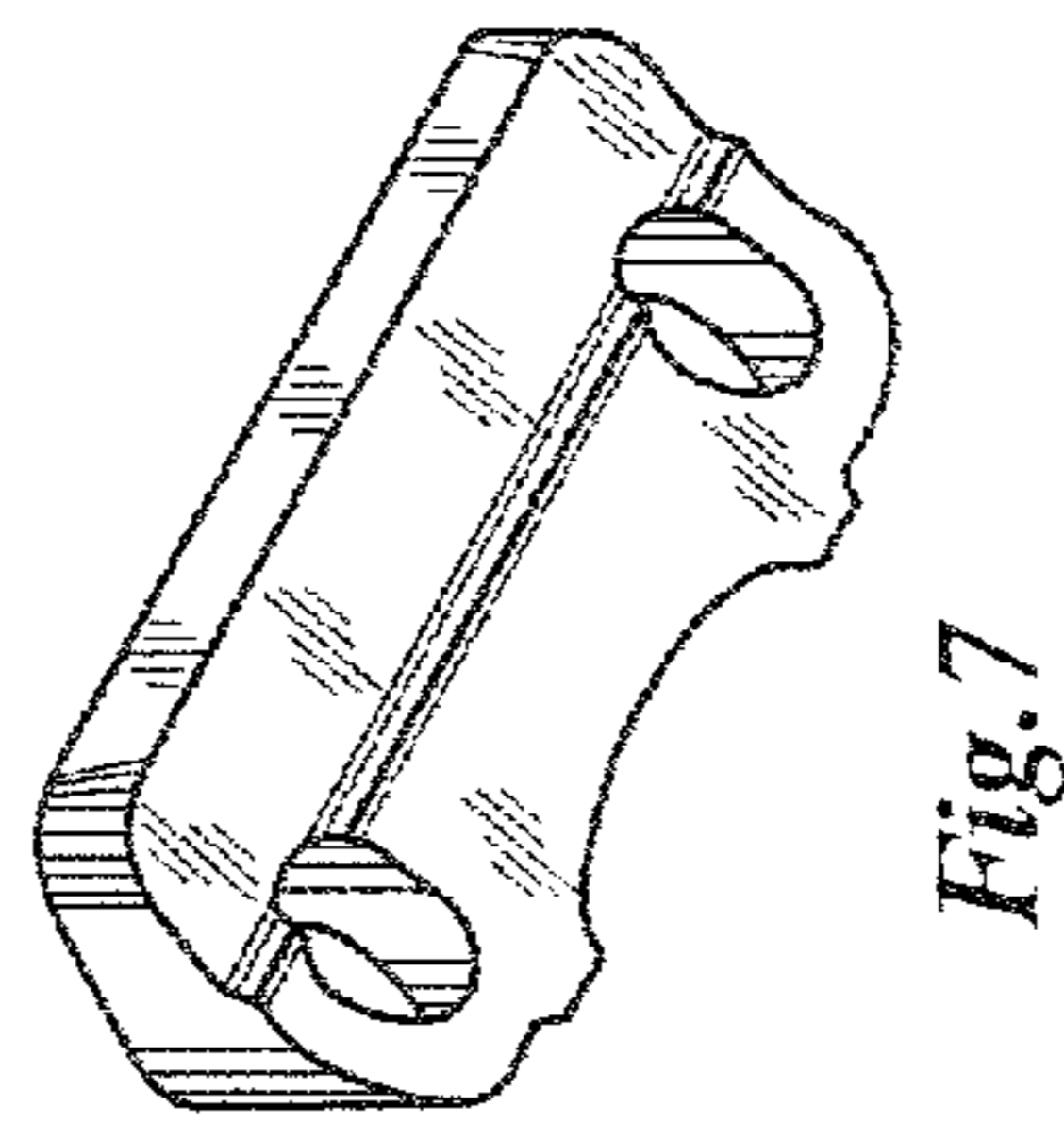


Fig. 7

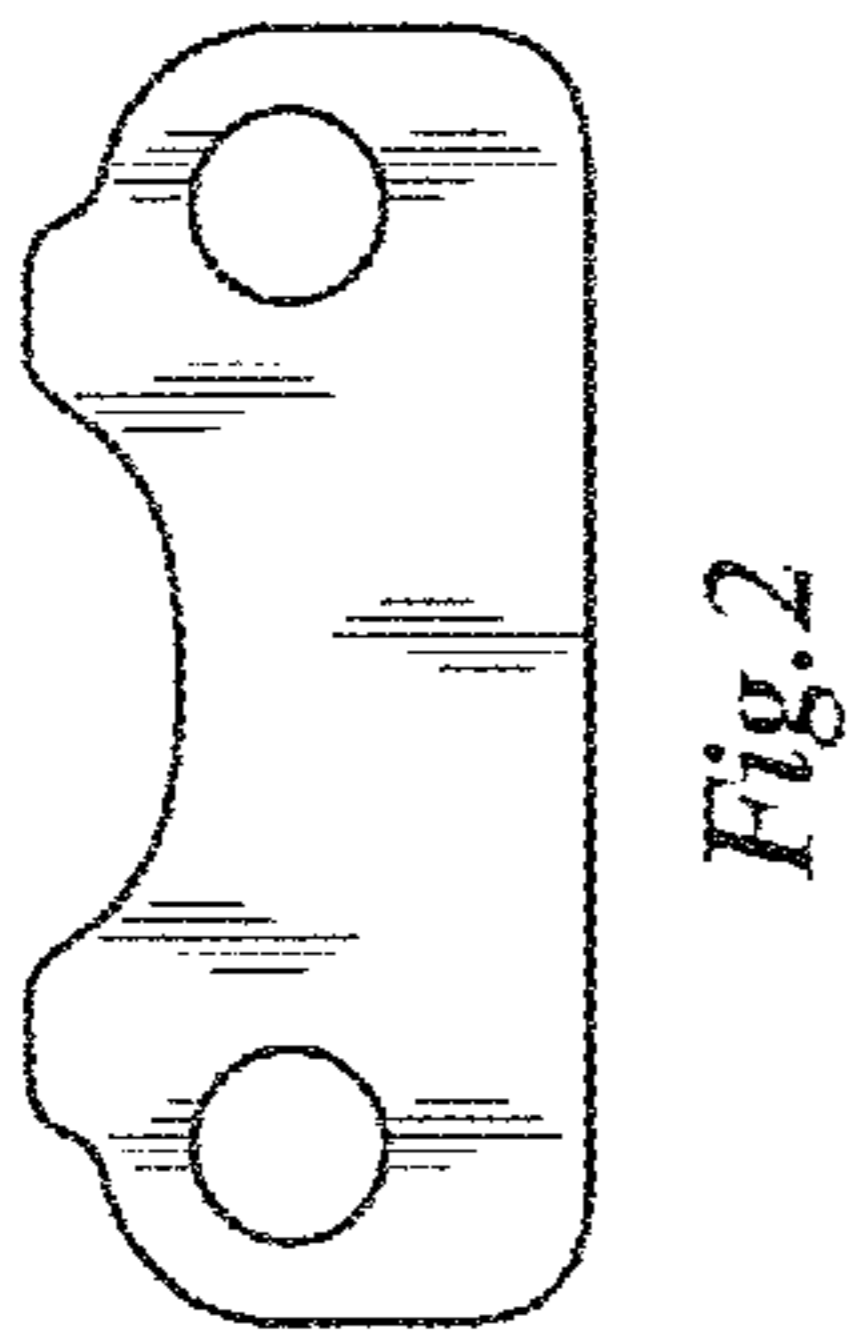


Fig. 2

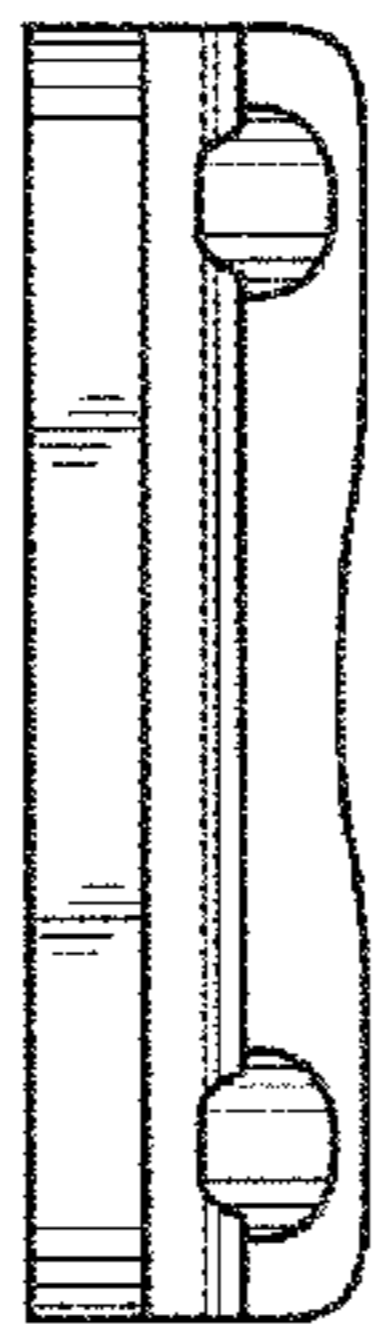


Fig. 5

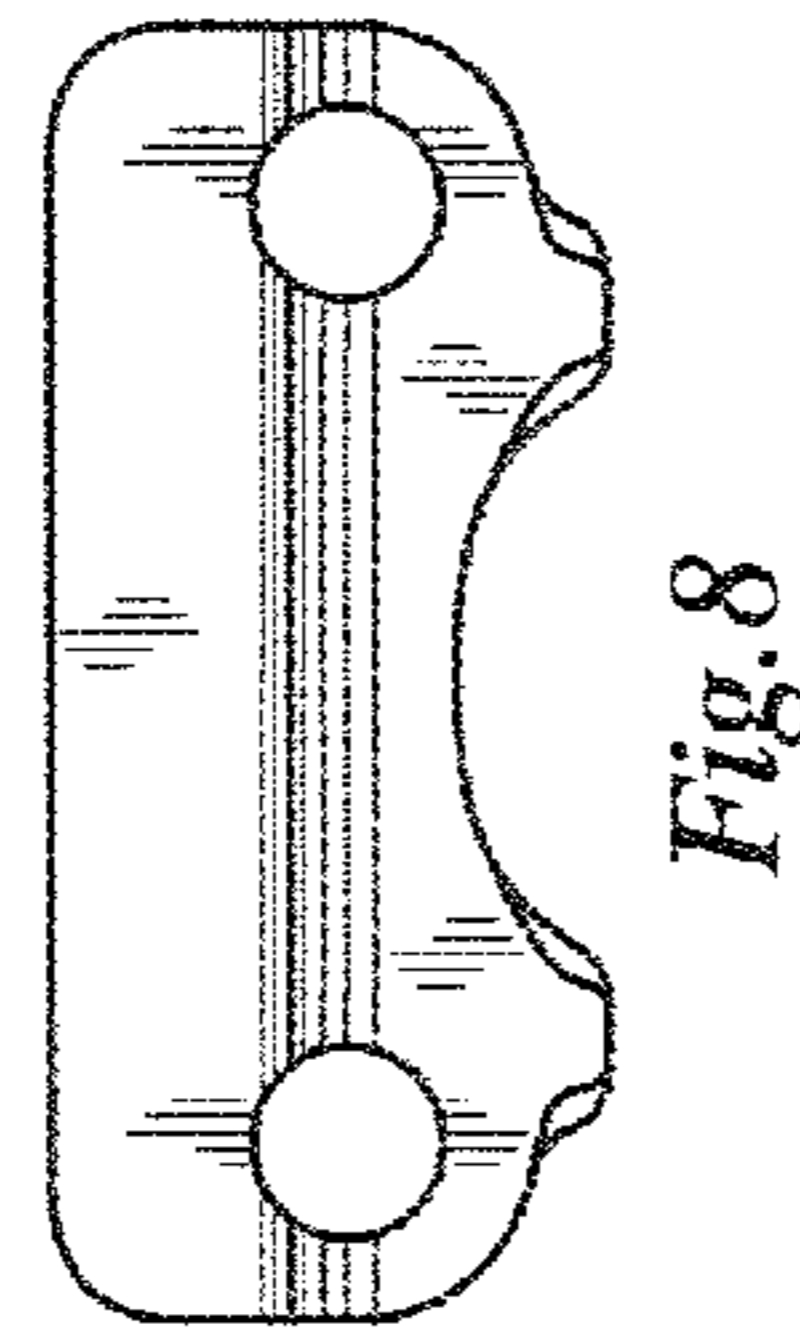


Fig. 8

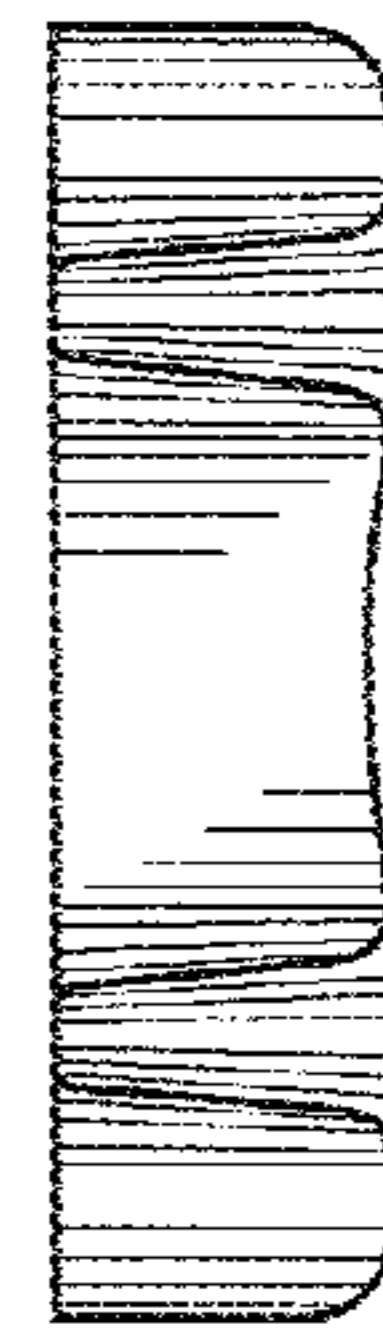


Fig. 10

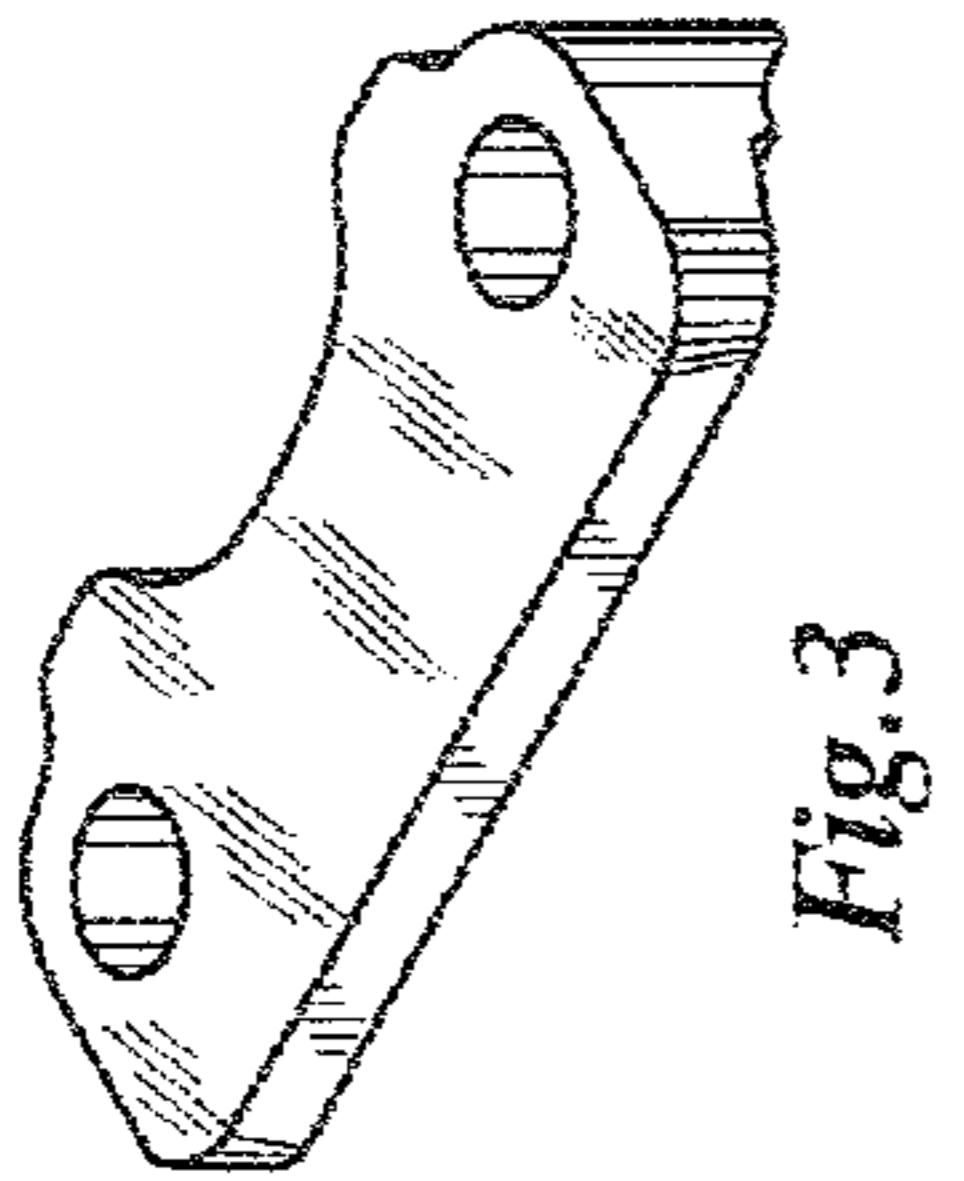


Fig. 3

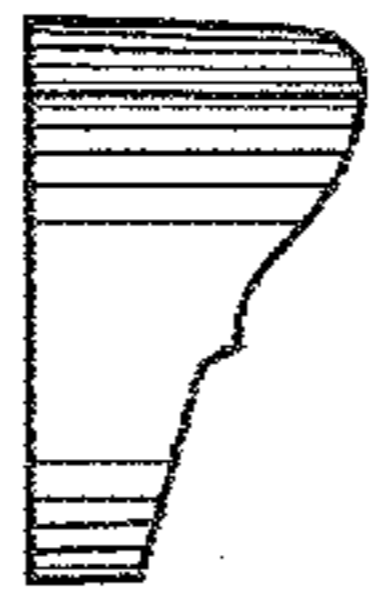


Fig. 6

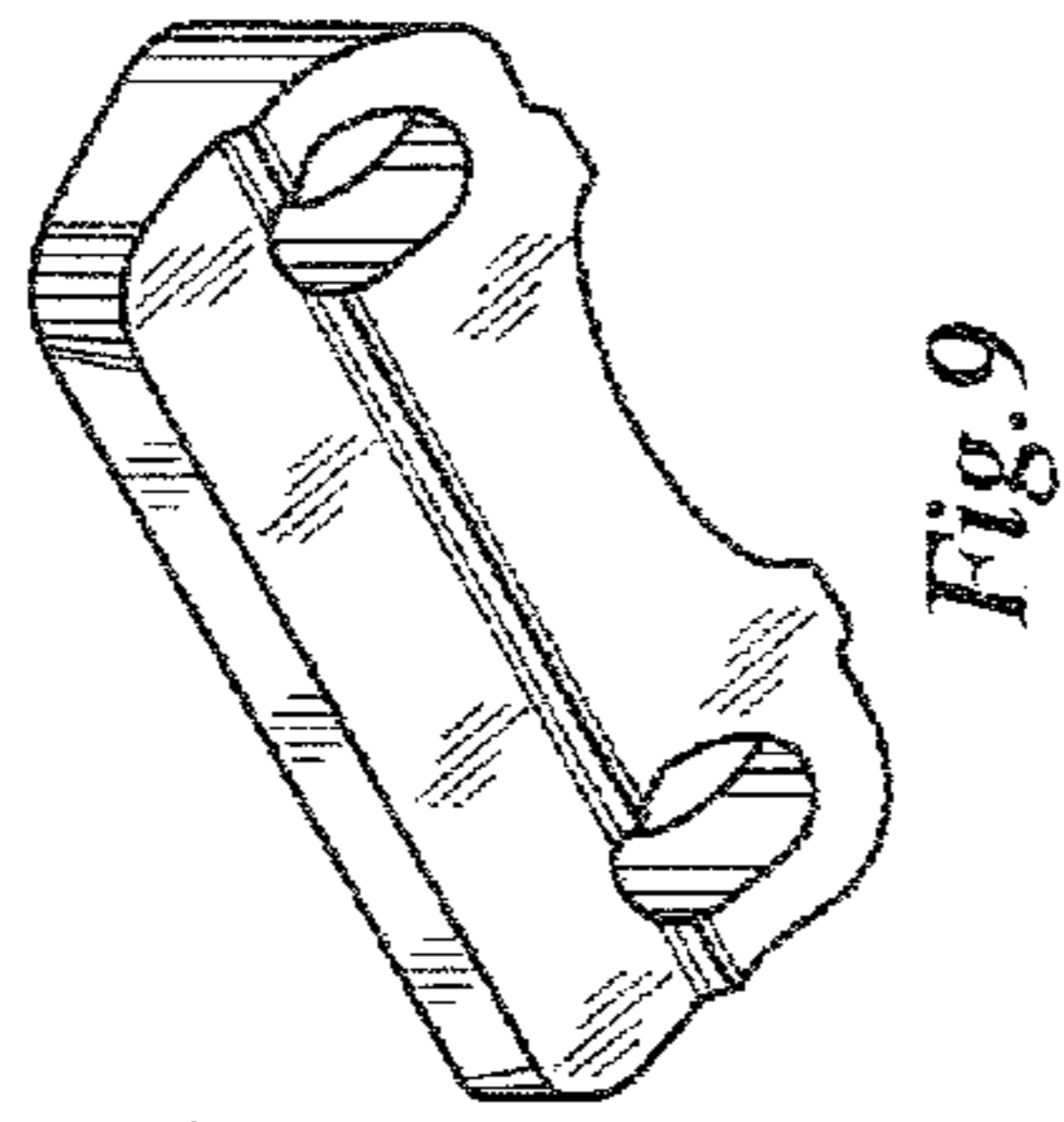


Fig. 9