



US00D756842S

(12) **United States Design Patent**
Ashjaee

(10) **Patent No.:** **US D756,842 S**
(45) **Date of Patent:** **** May 24, 2016**

(54) **UNMANNED AERIAL DRONE**
(71) Applicant: **JAVAD GNSS, Inc.**, San Jose, CA (US)
(72) Inventor: **Javad Ashjaee**, Saratoga, CA (US)
(73) Assignee: **Javad GNSS, Inc.**, San Jose, CA (US)
(**) Term: **14 Years**
(21) Appl. No.: **29/500,128**
(22) Filed: **Aug. 21, 2014**
(51) **LOC (10) Cl.** **12-07**
(52) **U.S. Cl.**
USPC **D12/16.1**
(58) **Field of Classification Search**
USPC D12/16.1, 19, 322, 323, 326, 327, 328,
D12/329, 330, 339, 341, 342, 343, 344;
D21/436, 438, 439, 440, 441, 446, 447,
D21/448, 449, 450, 453
CPC B64C 39/00; B64C 30/00; B64C 29/00;
B64C 5/06
See application file for complete search history.

8,322,648 B2 12/2012 Kroetsch et al.
D708,272 S * 7/2014 Schmelter D12/16.1
8,967,029 B1 * 3/2015 Calvert F41H 13/00
239/171
2012/0083945 A1 4/2012 Oakley et al.
2012/0241555 A1 * 9/2012 Savoye A63H 27/12
244/54
2014/0034775 A1 2/2014 Hutson
2014/0055613 A1 2/2014 Ohtomo et al.
2014/0131510 A1 5/2014 Wang et al.
2014/0374532 A1 * 12/2014 Duffy B64C 37/02
244/2
2015/0129711 A1 * 5/2015 Caubel B64C 27/08
244/17.23
2015/0148988 A1 * 5/2015 Fleck G05D 1/0011
701/2

FOREIGN PATENT DOCUMENTS

EP 1901153 A1 3/2008
WO 2009/153588 A1 12/2009
WO 2013/158050 A1 10/2013

* cited by examiner

Primary Examiner — Robert M Spear
Assistant Examiner — Marissa J Cash

(74) *Attorney, Agent, or Firm* — Morrison & Foerster LLP

(56) **References Cited**
U.S. PATENT DOCUMENTS

D189,462 S * 12/1960 Vogt D12/329
3,053,480 A * 9/1962 Vanderlip B64C 27/54
244/17.13
3,614,029 A * 10/1971 Eickmann B64C 11/00
244/17.23
4,913,377 A * 4/1990 Eickmann B64C 29/00
244/17.11
5,082,079 A * 1/1992 Lissaman B64C 27/20
180/118
5,150,857 A 9/1992 Moffitt et al.
6,666,404 B1 12/2003 Wingert et al.
7,712,701 B1 5/2010 Ehrmantraut et al.
8,167,234 B1 5/2012 Moore

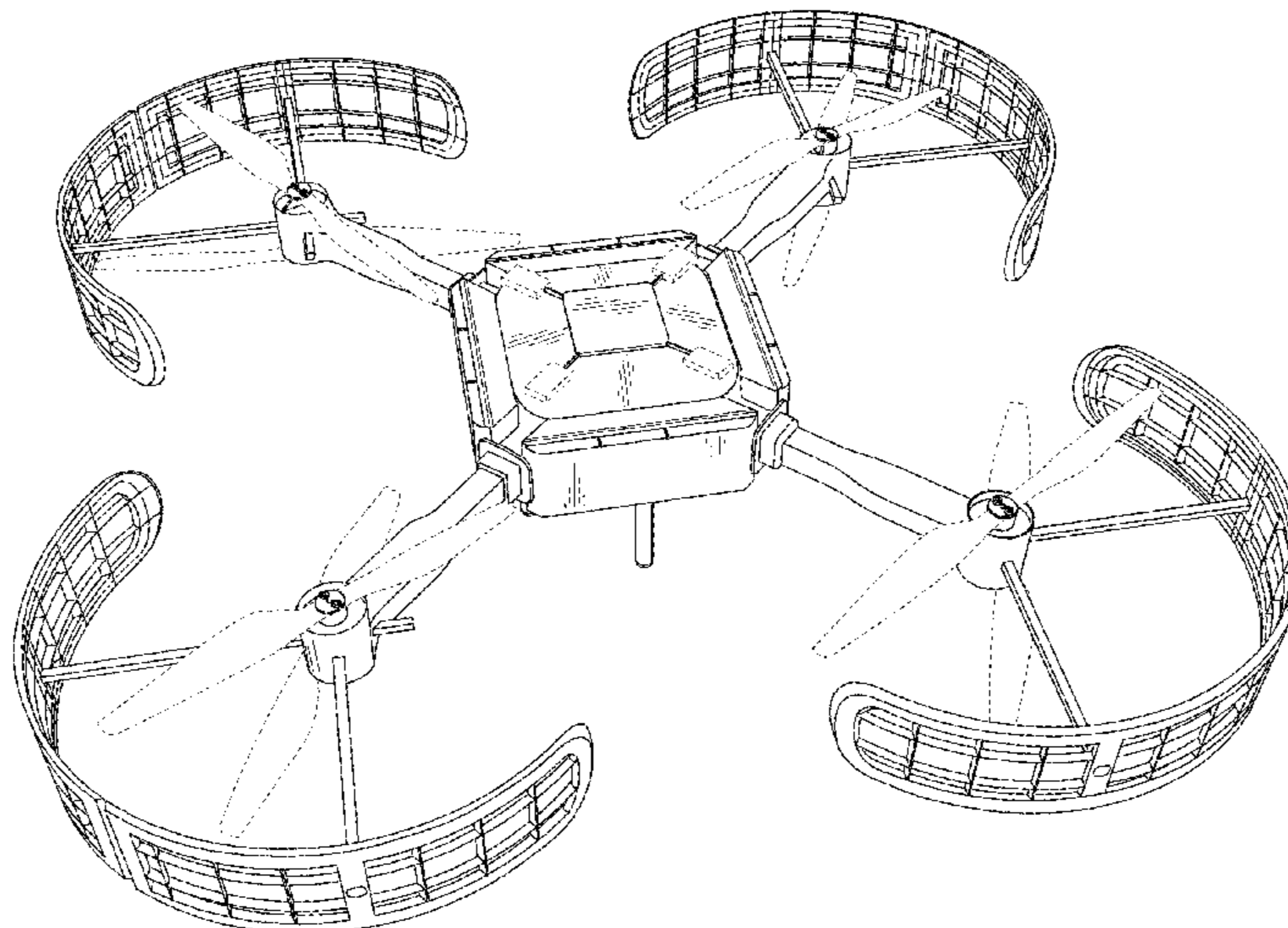
(57) **CLAIM**

The ornamental design for an unmanned aerial drone, as shown and described.

DESCRIPTION

FIG. 1 is a perspective view of an unmanned aerial drone; FIG. 2 is a top view thereof; FIG. 3 is a bottom view thereof; and, FIG. 4 is a left side view thereof, the front view, rear view, and right side view being identical to the left side view. The broken line showing of portions of the unmanned aerial drone forms no part of the claimed design.

1 Claim, 3 Drawing Sheets



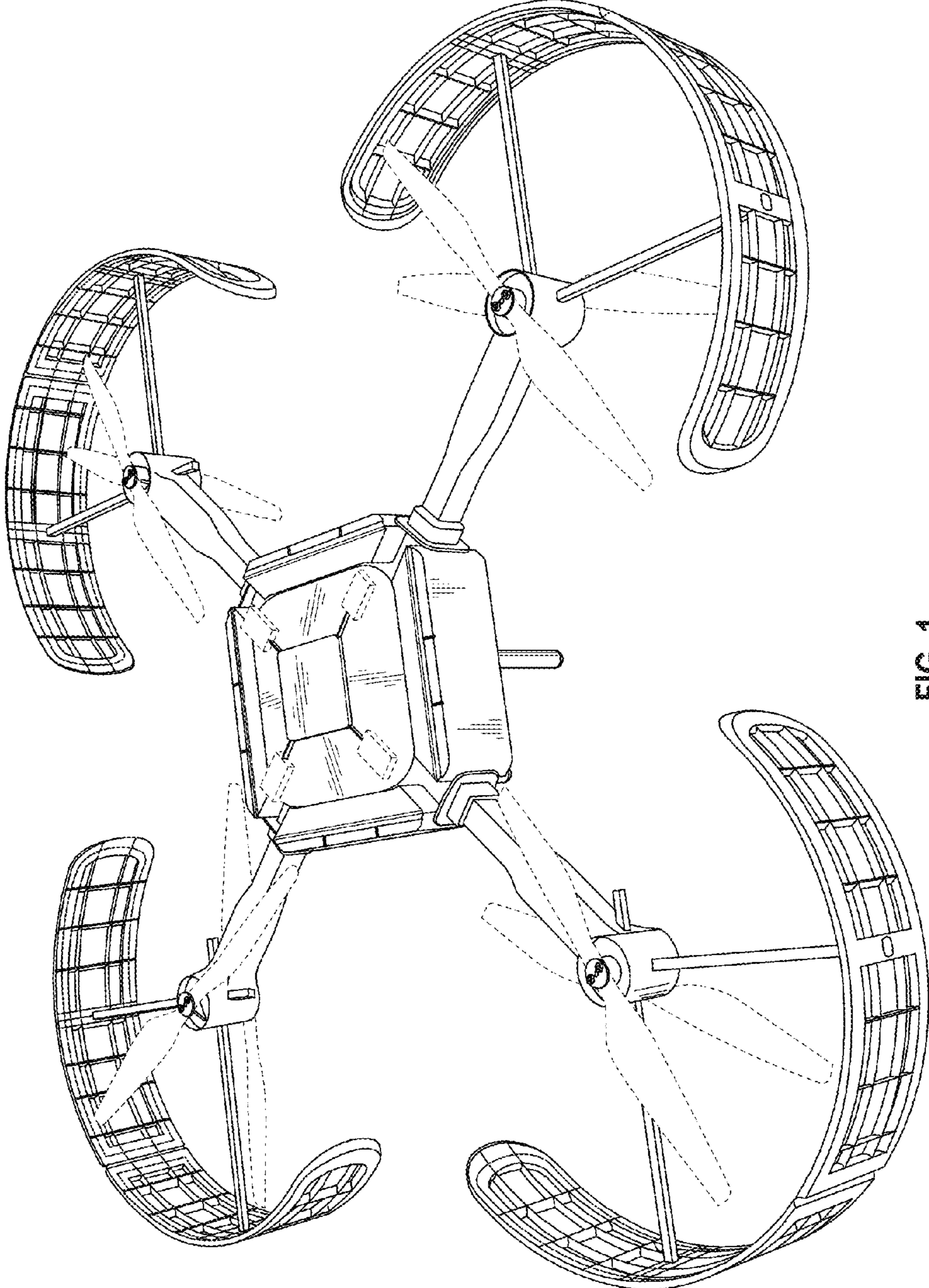


FIG. 1

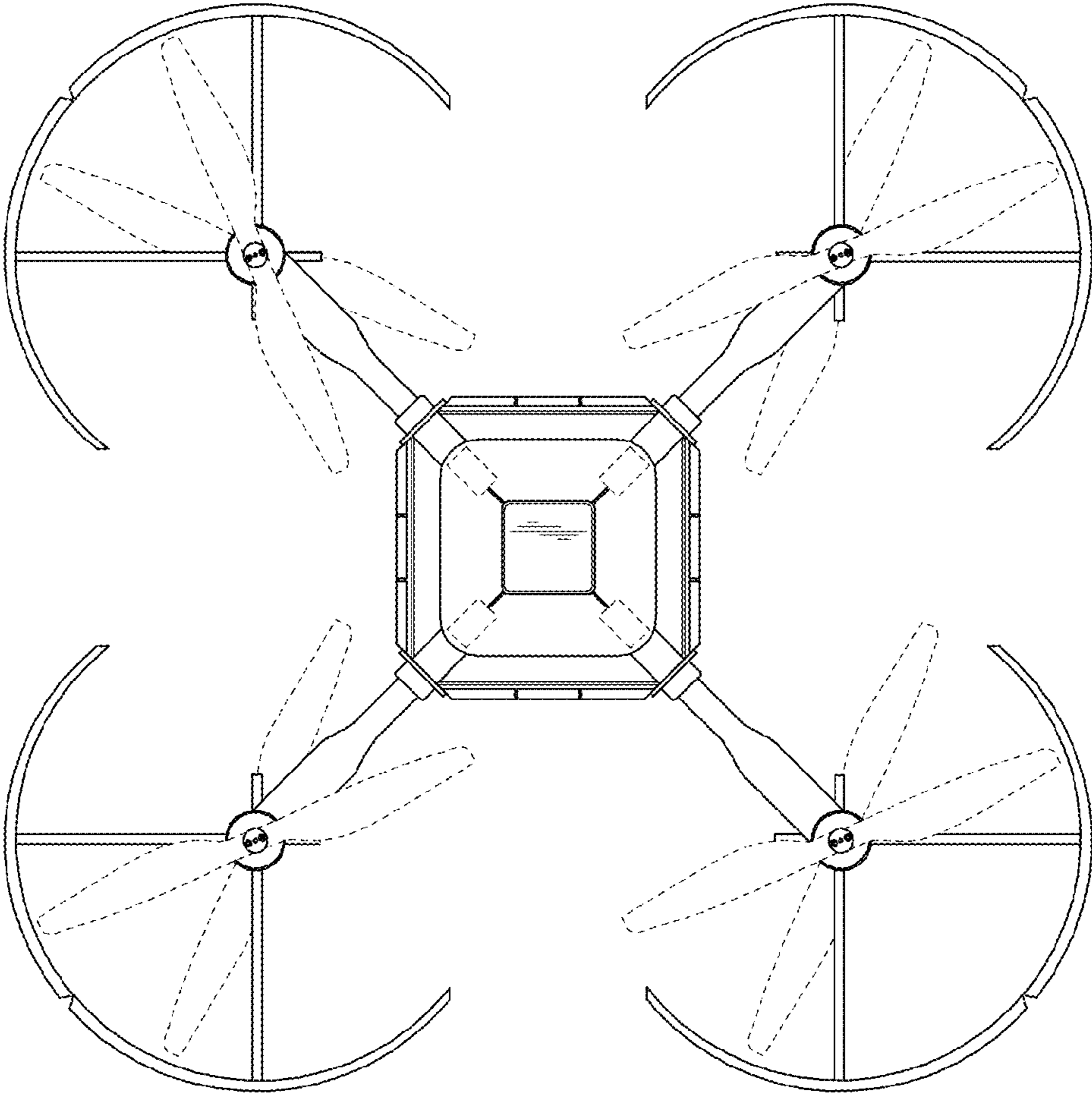


FIG. 2

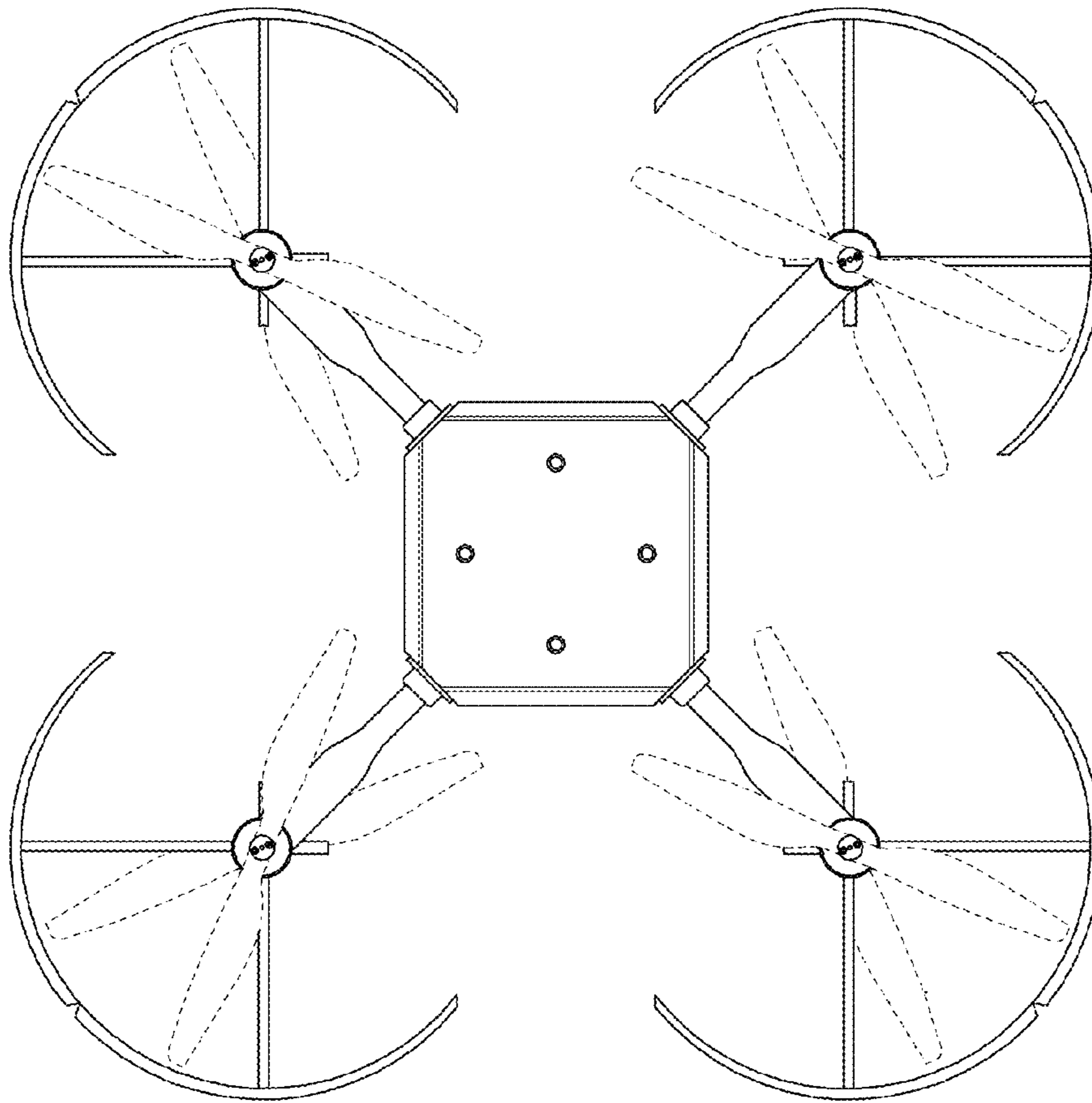


FIG. 3

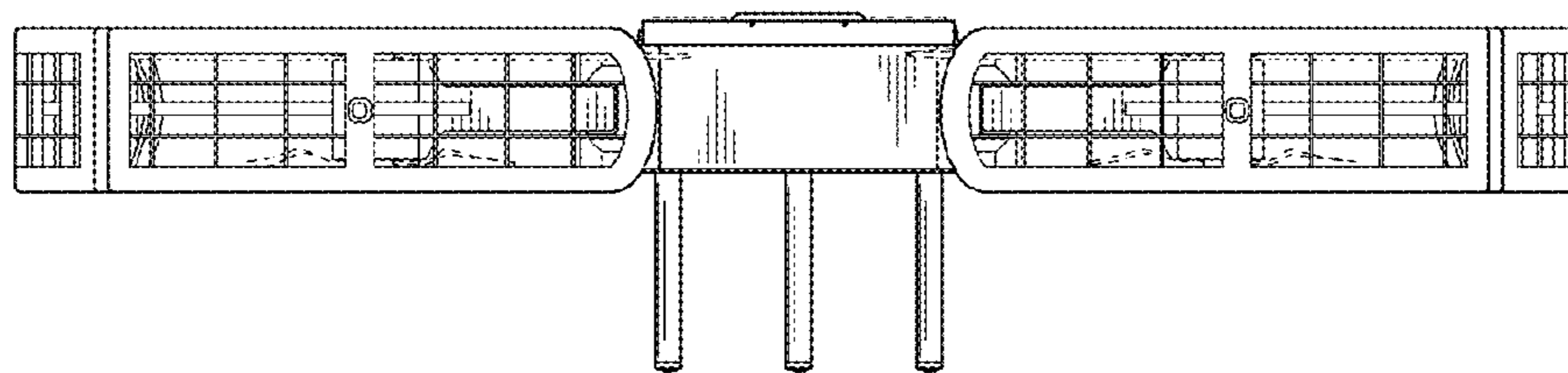


FIG. 4