



US00D756841S

(12) **United States Design Patent**  
**Torrez**

(10) **Patent No.:** **US D756,841 S**

(45) **Date of Patent:** **\*\* May 24, 2016**

(54) **BELT BUCKLE HAVING AN INTEGRATED TOBACCO CAN HOLDER**

(71) Applicant: **William Jasonn Torrez**, San Diego, CA (US)

(72) Inventor: **William Jasonn Torrez**, San Diego, CA (US)

(\*\*) Term: **14 Years**

(21) Appl. No.: **29/510,550**

(22) Filed: **Dec. 1, 2014**

(51) **LOC (10) Cl.** ..... **02-07**

(52) **U.S. Cl.**  
USPC ..... **D11/231**

(58) **Field of Classification Search**  
USPC ..... D11/200–201, 231–241; D2/624–640, D2/943, 946; 24/163 R, 164, 185–189, 24/194–199, 169–171, 173, 177–179, 24/191; 224/163; D30/152; 206/242; D27/186–187, 172; D3/221, 215  
CPC ..... A44B 11/24; A44B 11/006; A44B 11/04; A44B 11/001; A44B 99/00; A44B 11/10; A44B 11/005; A41F 11/12; A41F 11/16; B65D 85/12  
See application file for complete search history.

(56) **References Cited**

**U.S. PATENT DOCUMENTS**

D246,015 S *	10/1977	Wayne	.....	D11/201
D271,061 S *	10/1983	Zimmerman	.....	D27/187
D283,076 S *	3/1986	States, Jr.	.....	D3/221
D295,883 S *	5/1988	Allen	.....	D3/221

D347,197 S *	5/1994	Greene	.....	D11/231
5,687,890 A *	11/1997	Wanner	.....	A44B 11/005 224/163
D387,897 S *	12/1997	Yorke	.....	D27/172
D447,981 S *	9/2001	Chen	.....	D11/231
D483,939 S *	12/2003	Kountz	.....	D3/215
D520,233 S *	5/2006	Matlock	.....	D3/215
D548,957 S *	8/2007	Lowe	.....	D27/186
D559,531 S *	1/2008	Koppe	.....	D27/186
D600,006 S *	9/2009	Lau	.....	D27/186
D705,696 S *	5/2014	Hicks, Jr.	.....	D11/201

\* cited by examiner

*Primary Examiner* — T. Chase Nelson

*Assistant Examiner* — Mark Cavanna

(74) *Attorney, Agent, or Firm* — Stetina Brunda Garred & Brucker

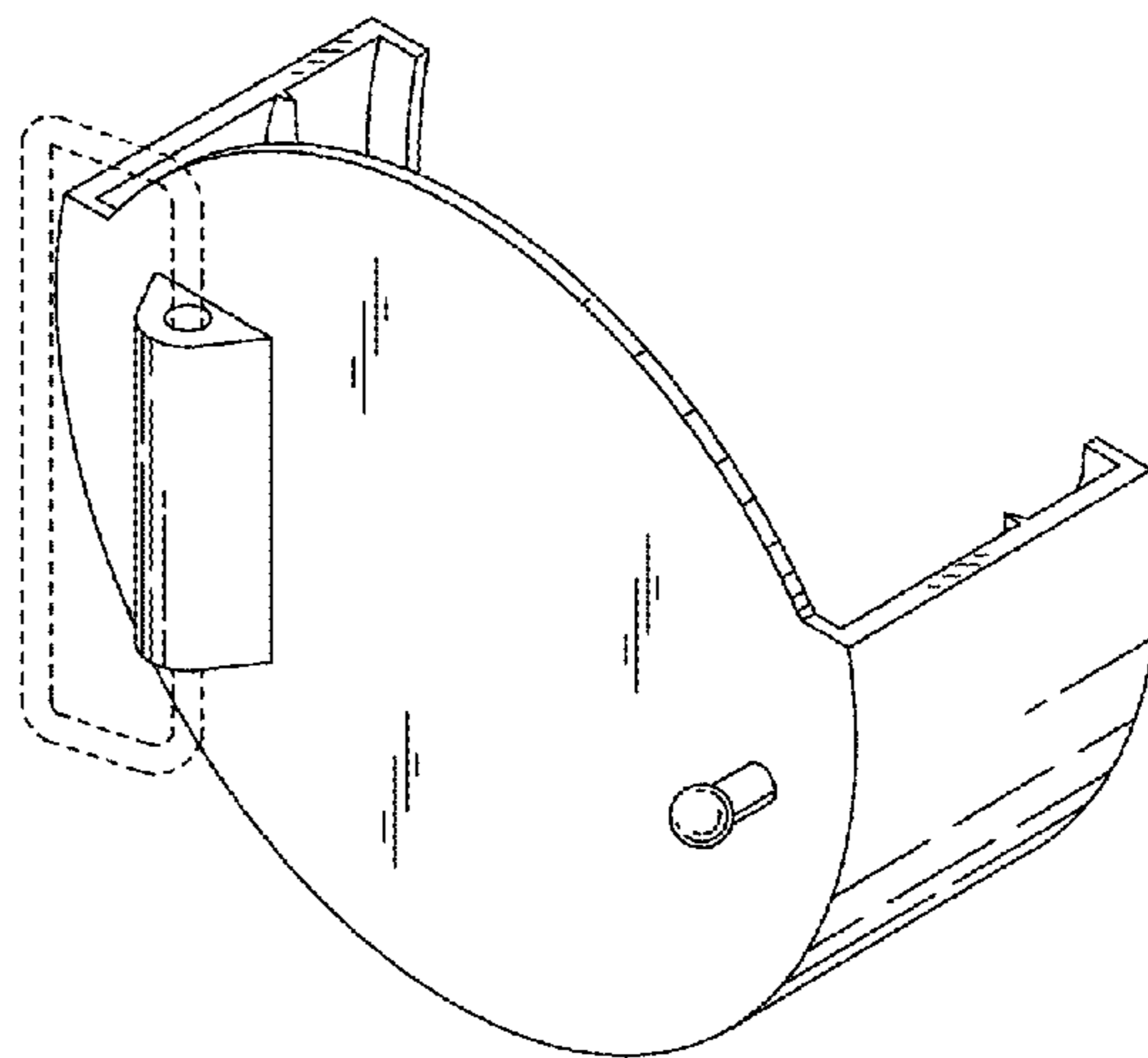
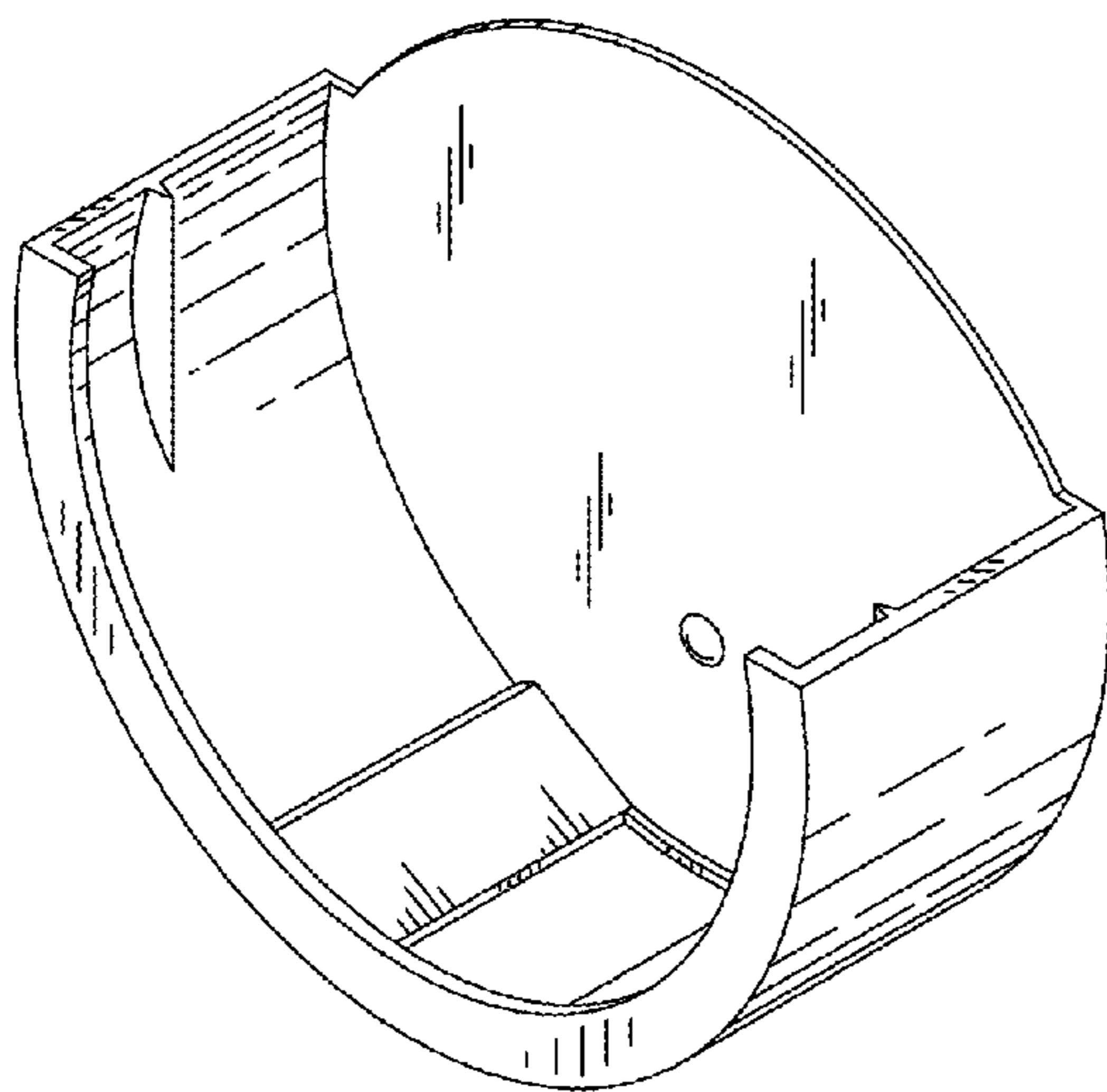
(57) **CLAIM**

The ornamental design for a belt buckle having an integrated tobacco can holder, as shown and described.

**DESCRIPTION**

FIG. 1 is a front upper perspective view of the belt buckle having an integrated tobacco can holder of the present invention showing the new design;  
FIG. 2 is a rear upper perspective view thereof;  
FIG. 3 is a top plan view thereof;  
FIG. 4 is a side view thereof;  
FIG. 5 is a front view thereof;  
FIG. 6 is a bottom view thereof;  
FIG. 7 is side view thereof taken from a perspective opposite to that depicted in FIG. 4; and,  
FIG. 8 is a rear view opposite to the end depicted in FIG. 7.

**1 Claim, 3 Drawing Sheets**



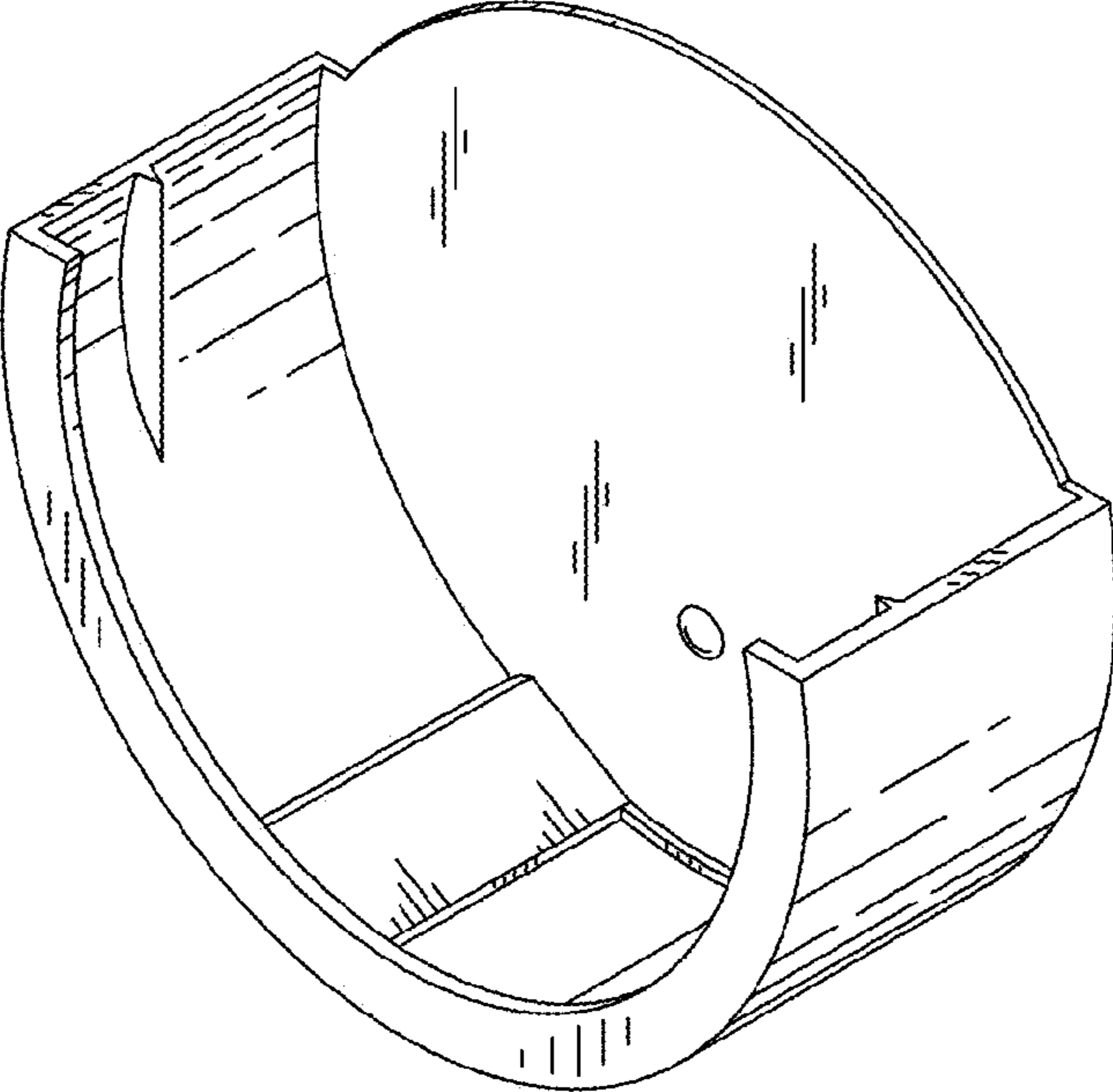


FIG. 1

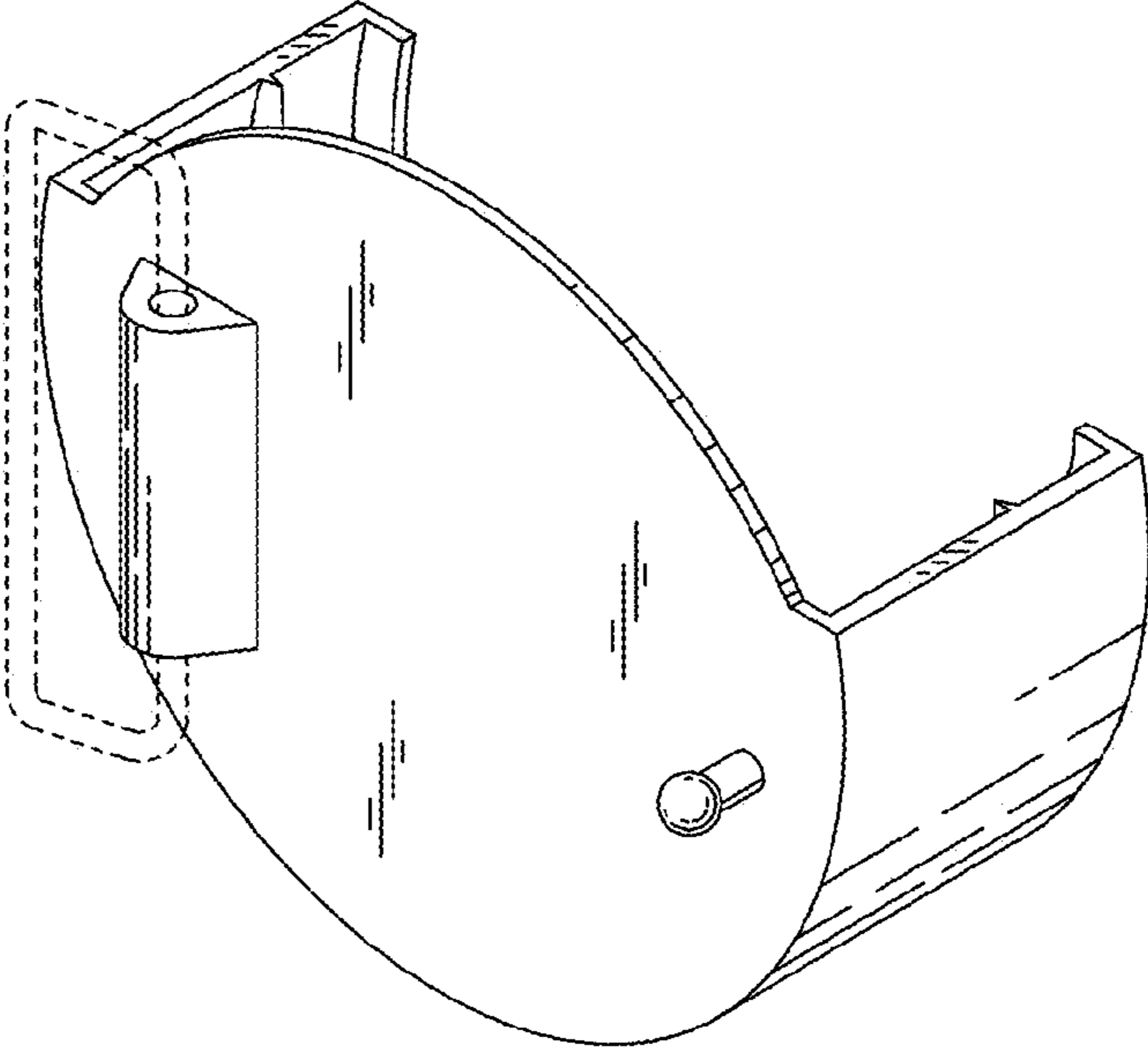


FIG. 2

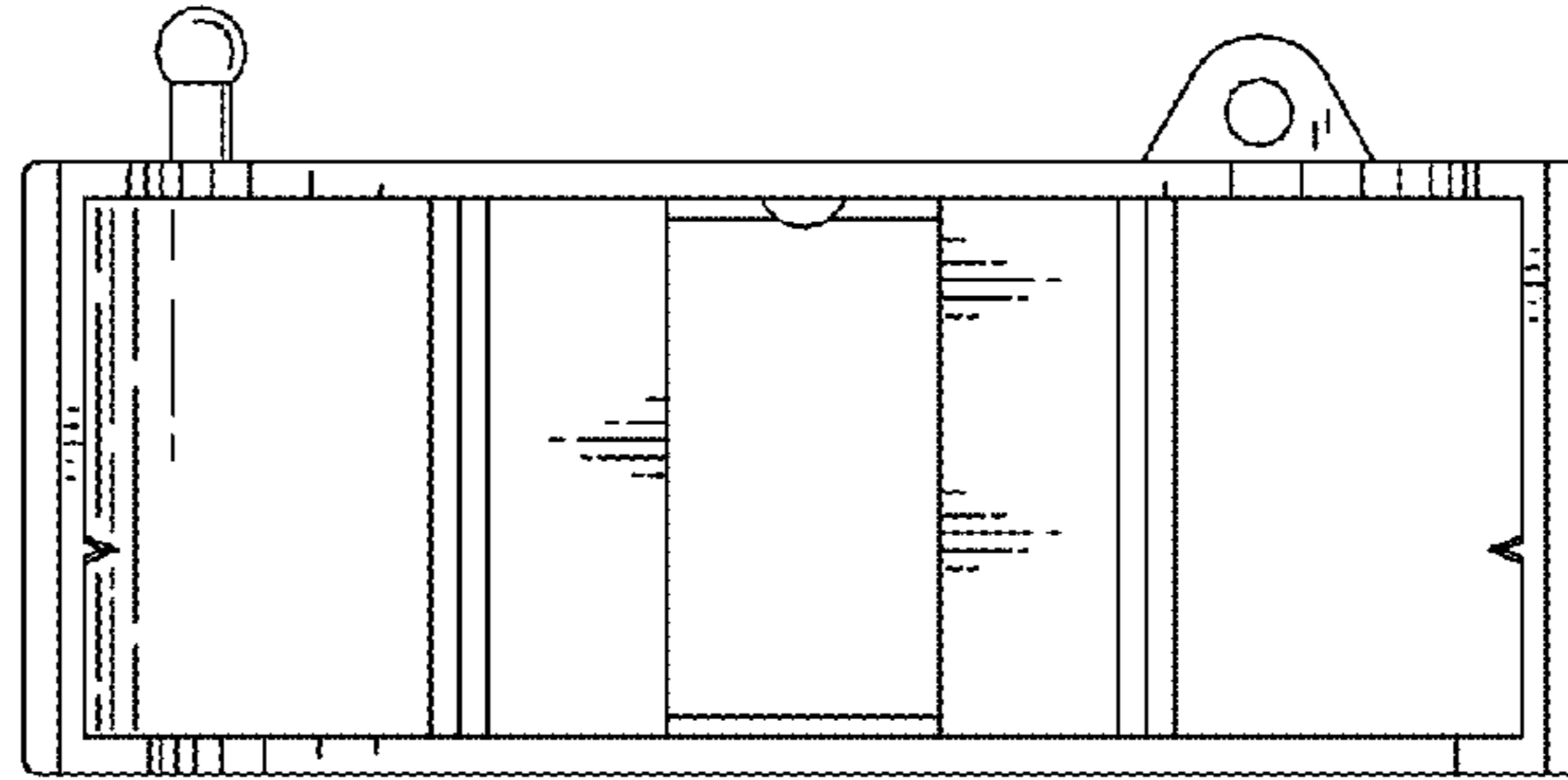


FIG. 3

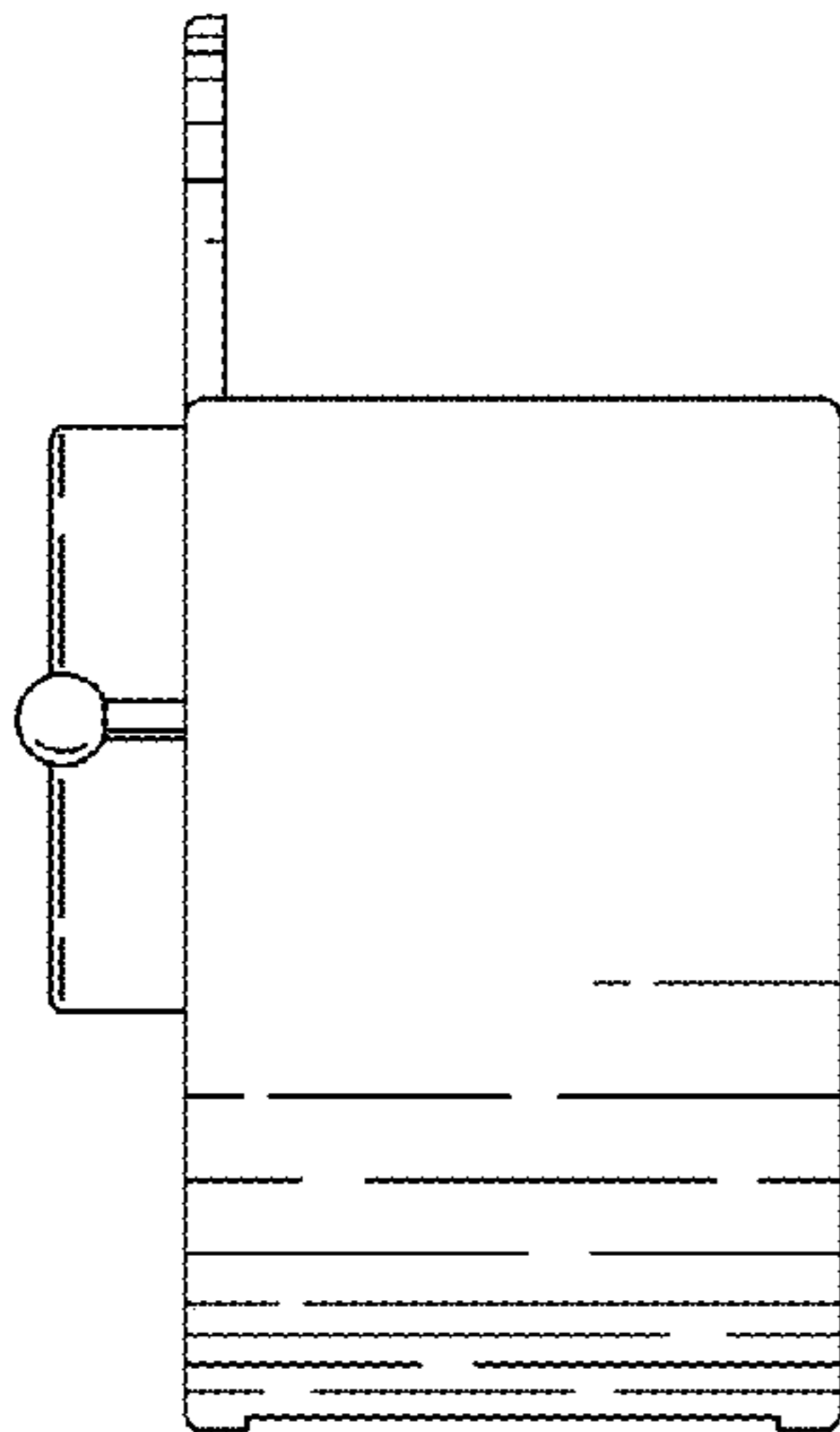


FIG. 4

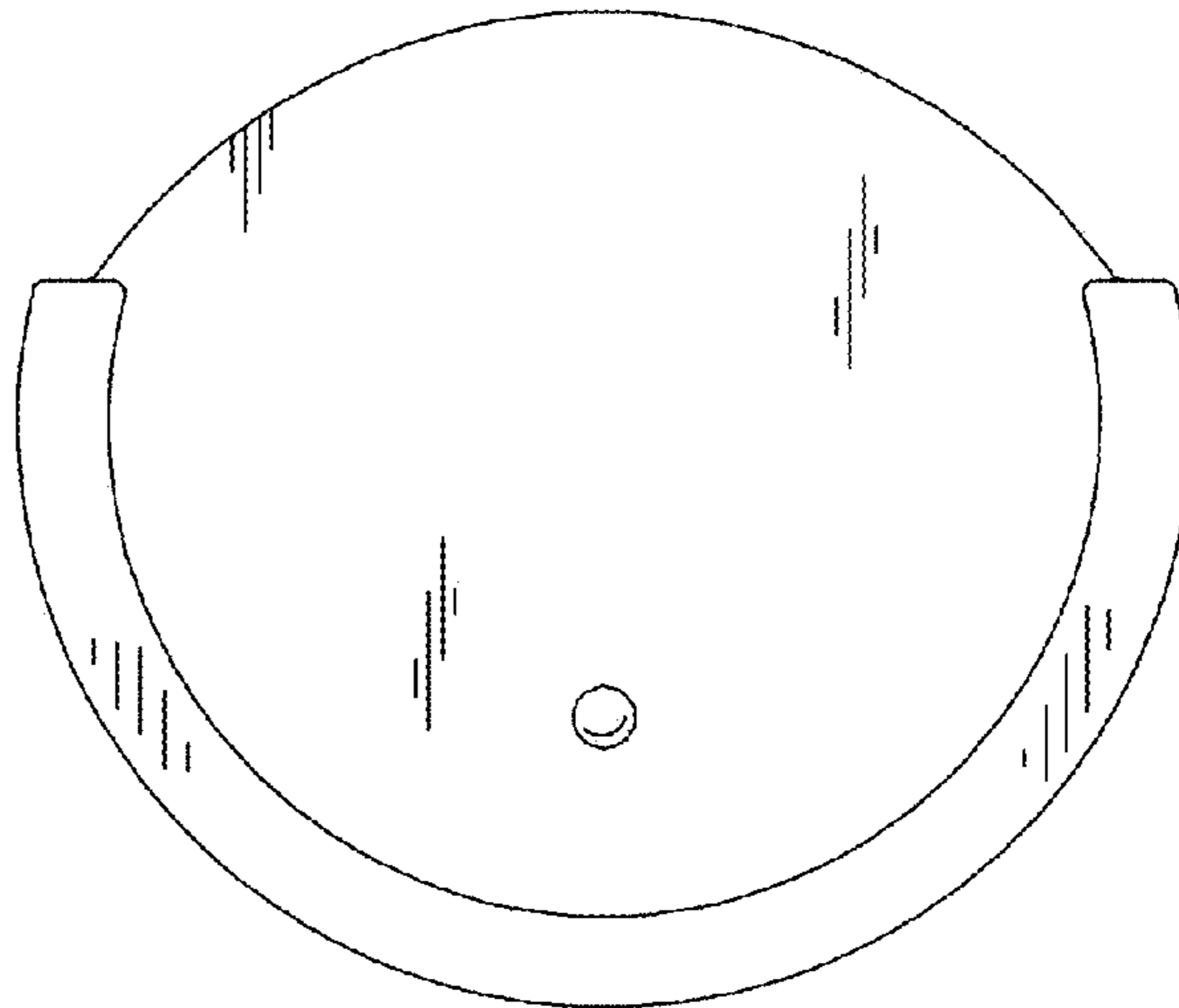


FIG. 5

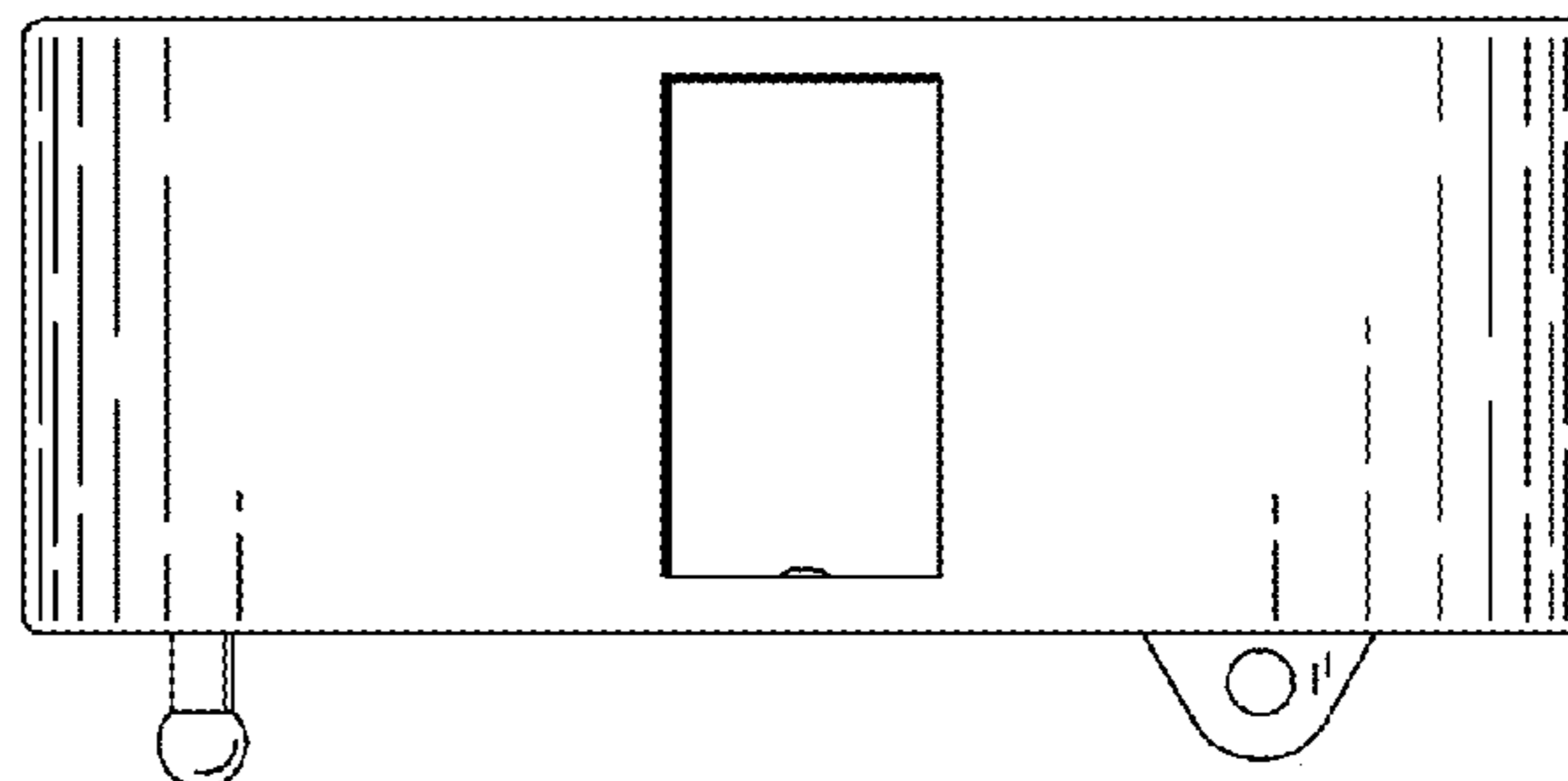


FIG. 6

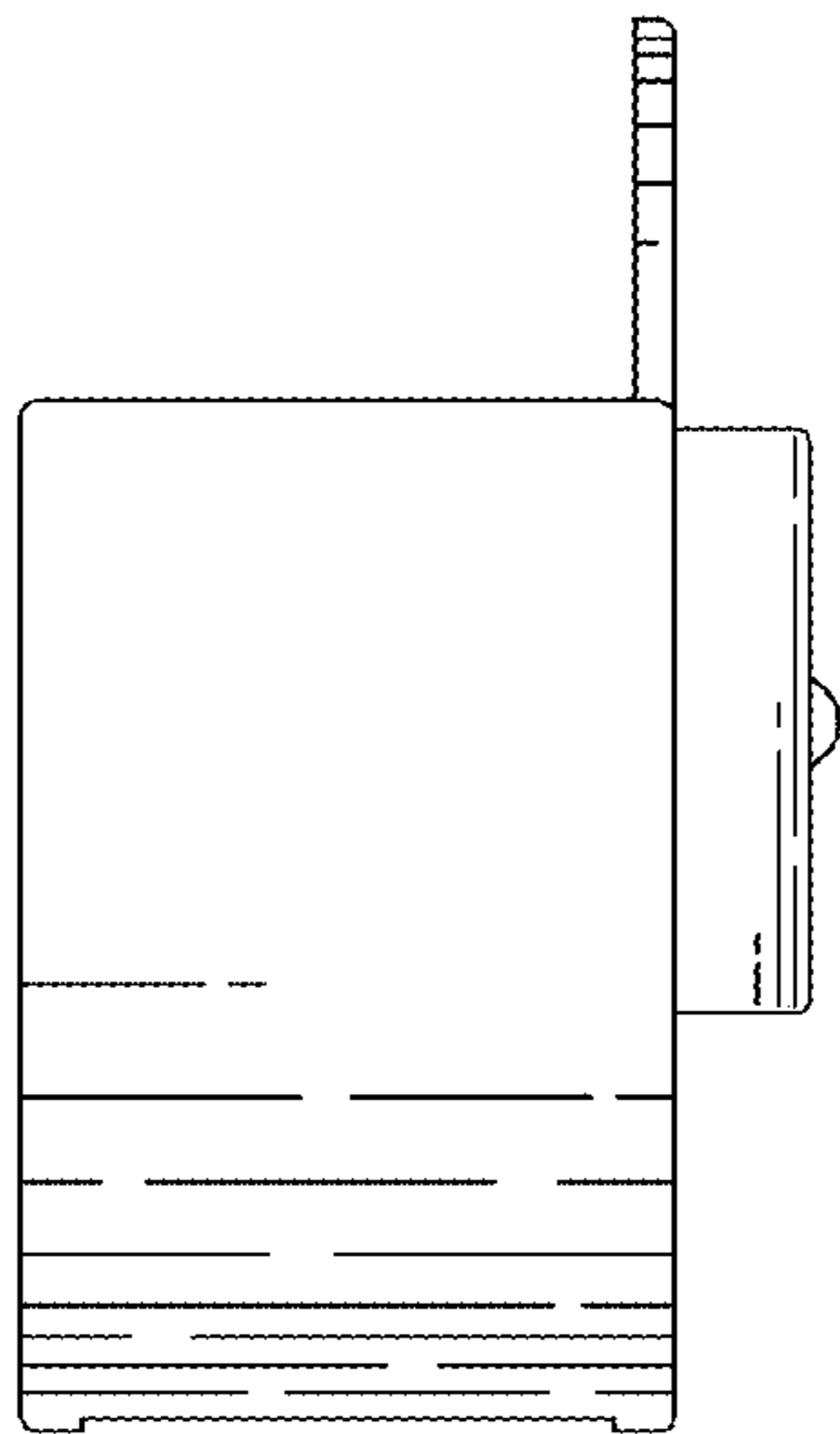


FIG. 7

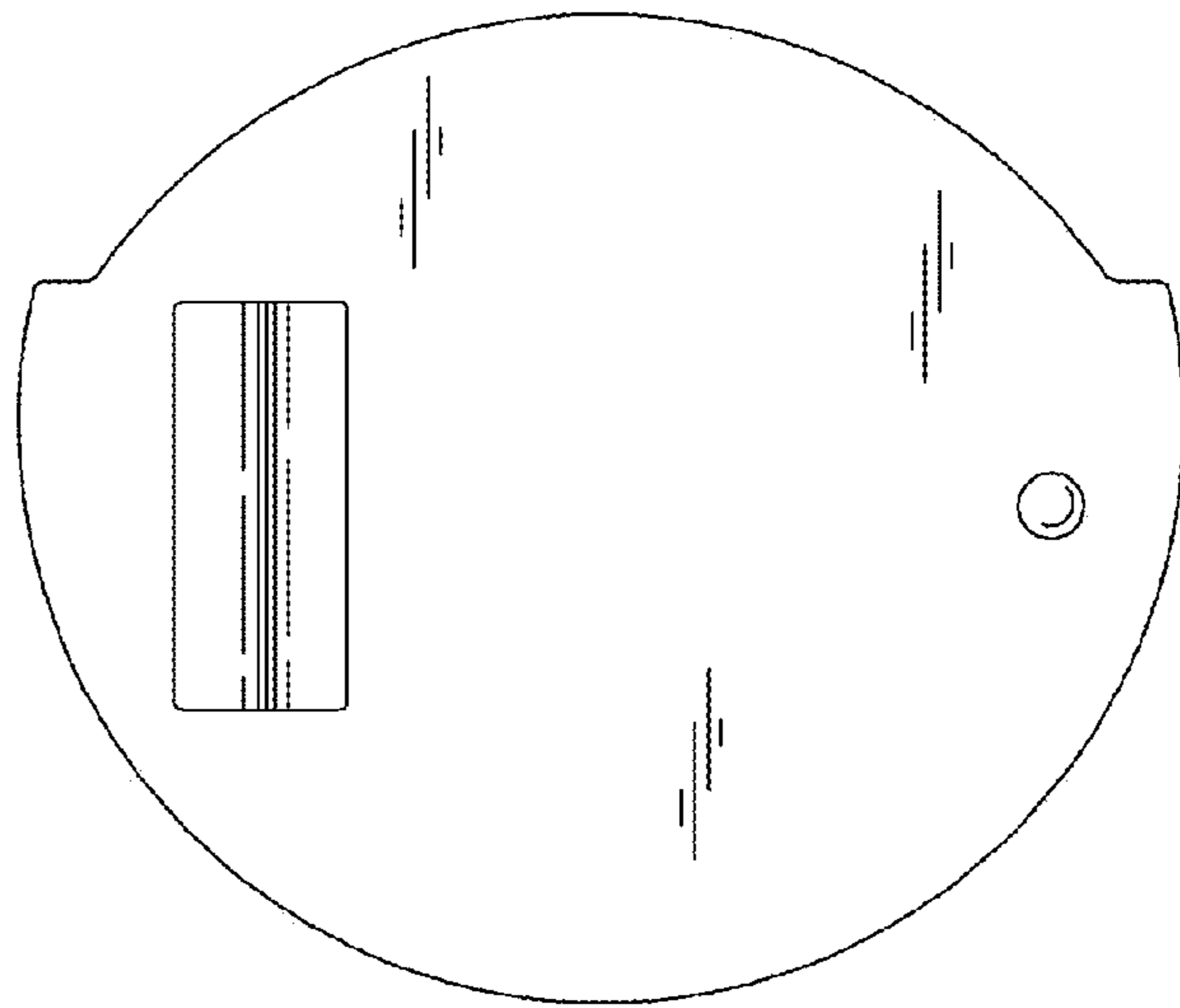


FIG. 8