



US00D756840S

(12) **United States Design Patent**  
**Gramatikas**

(10) **Patent No.:** **US D756,840 S**

(45) **Date of Patent:** **\*\* May 24, 2016**

(54) **BUTTON COVER**

(71) Applicant: **ALTR L.L.C.**, Orlando, FL (US)

(72) Inventor: **Alexandra S. Gramatikas**, Orlando, FL (US)

(73) Assignee: **ALTR L.L.C.**, Orlando, FL (US)

(\*\*) Term: **14 Years**

(21) Appl. No.: **29/509,828**

(22) Filed: **Nov. 21, 2014**

**Related U.S. Application Data**

(62) Division of application No. 29/422,794, filed on May 24, 2012, now Pat. No. Des. 720,255.

(51) **LOC (10) Cl.** ..... **02-07**

(52) **U.S. Cl.**  
USPC ..... **D11/222**

(58) **Field of Classification Search**

USPC ..... D11/220, 222-241, 200, 40, 95;  
24/90.5, 113 MP, 113 R, 102 SL,  
24/113 OMP; 63/1.17, 1.18, 33, 14.1,  
63/14.17; 40/1.5, 315

CPC ..... A44B 1/14; A44B 5/00; A44B 5/007;  
A43C 11/02; A43C 11/06; A43C 11/08;  
A43C 11/14; A44C 15/001; A44C 7/006

See application file for complete search history.

(56) **References Cited**

**U.S. PATENT DOCUMENTS**

581,111	A *	4/1897	Goodwin	.....	A44B 1/14
					24/113 MP
834,943	A *	11/1906	Stienberg	.....	A44B 5/00
					24/90.5
1,678,265	A *	7/1928	Myers	.....	A43C 11/02
					2/245
1,774,033	A *	8/1930	Harrison	.....	A43C 11/06
					24/113 MP
2,577,723	A	12/1951	Groh et al.		
2,751,654	A *	6/1956	Armbruster	.....	A44B 1/14
					24/113 MP

2,880,487	A *	4/1959	Ryan	.....	A44B 1/14
					24/113 MP
3,316,601	A *	5/1967	Ryan	.....	A44B 1/14
					24/113 MP
3,343,230	A *	9/1967	Darvie	.....	A44B 1/14
					24/113 MP
3,353,231	A	11/1967	Levine		
3,543,354	A	12/1970	Schuchman, Sr. et al.		
3,777,336	A	12/1973	Anderson		
3,934,313	A *	1/1976	Hocq	.....	A44B 5/007
					24/113 MP
4,539,731	A	9/1985	Torrini		

(Continued)

*Primary Examiner* — T. Chase Nelson

*Assistant Examiner* — Mark Cavanna

(74) *Attorney, Agent, or Firm* — Nixon & Vanderhye PC

(57) **CLAIM**

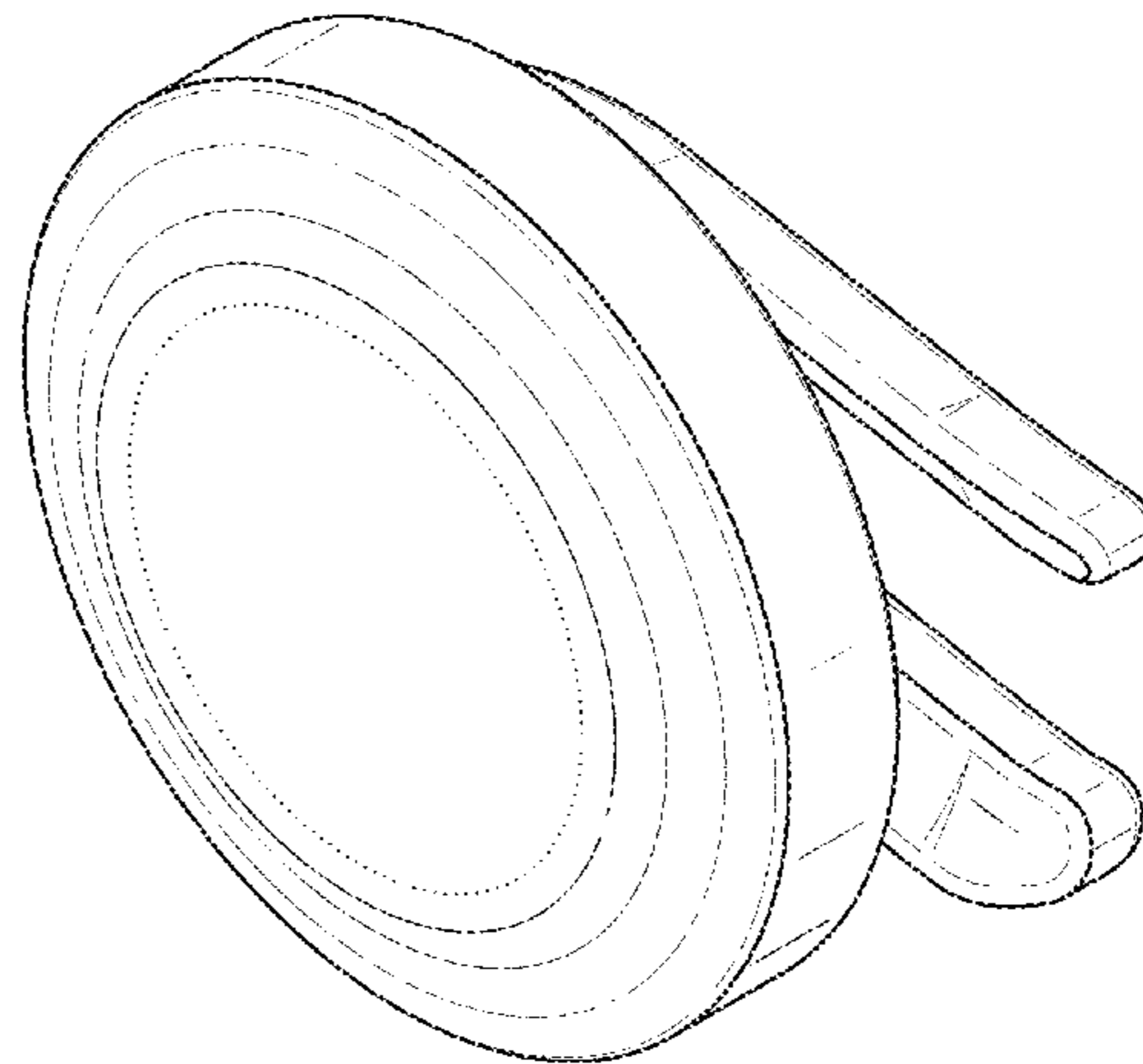
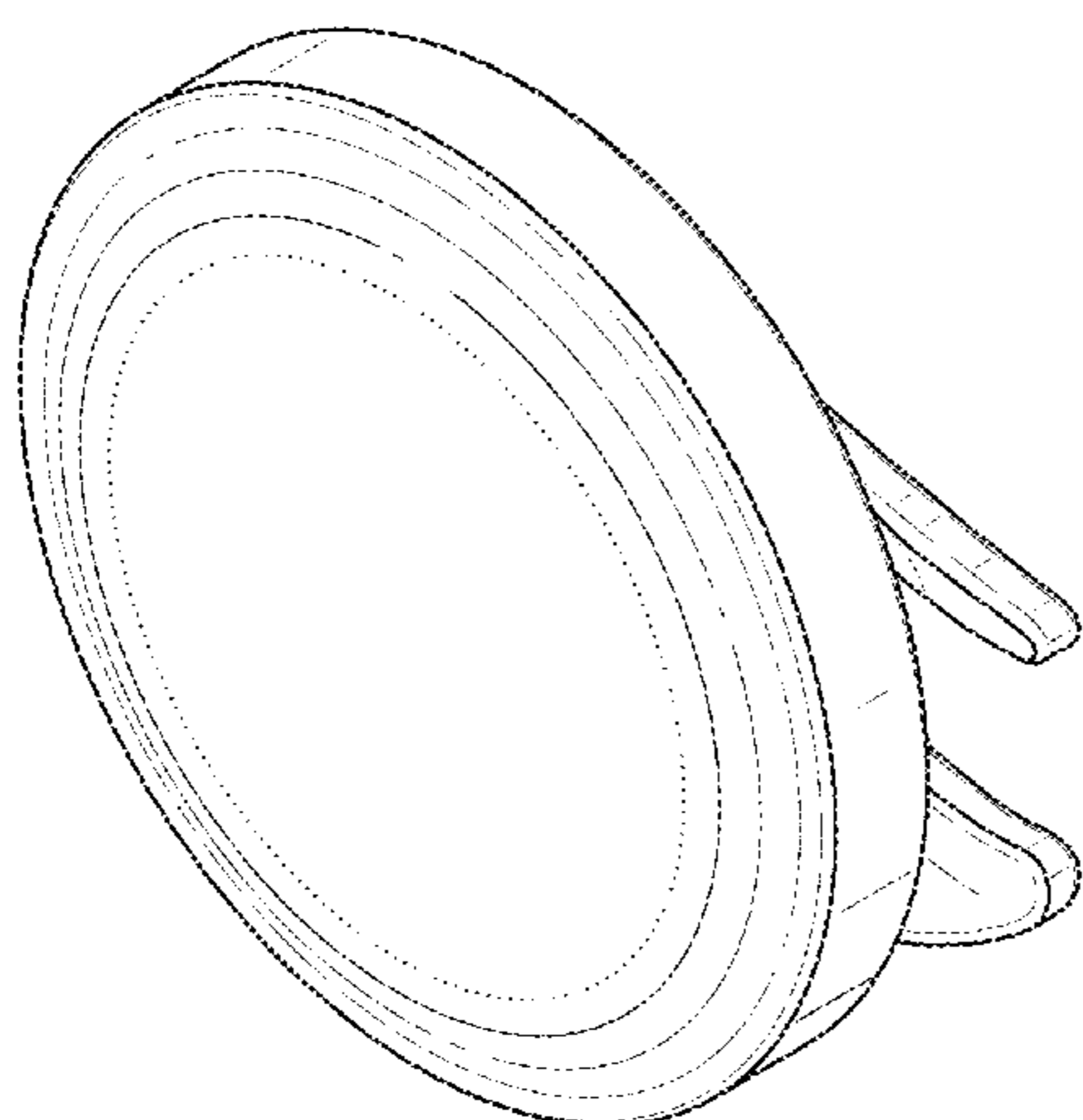
The ornamental design for a button cover, as shown and described.

**DESCRIPTION**

FIG. 1 is a front perspective view of a button cover in accordance with a first embodiment of my design;  
 FIG. 2 is a front elevation view thereof;  
 FIG. 3 is a rear elevation view thereof;  
 FIG. 4 is a top plan view thereof;  
 FIG. 5 is a bottom plan view thereof;  
 FIG. 6 is a right side view thereof;  
 FIG. 7 is a left side view thereof;  
 FIG. 8 is a rear perspective view thereof;  
 FIG. 9 is a front perspective view of a button cover in accordance with a second embodiment of my design;  
 FIG. 10 is a front elevation view thereof;  
 FIG. 11 is a rear elevation view thereof;  
 FIG. 12 is a top plan view thereof;  
 FIG. 13 is a bottom plan view thereof;  
 FIG. 14 is a right side view thereof;  
 FIG. 15 is a left side view thereof; and,  
 FIG. 16 is a rear perspective view thereof.

The dotted lines shown in the FIGS. 1, 2, 9 and 10 represent the borders between claimed subject matter and unclaimed subject matter and form no part of the claimed design.

**1 Claim, 10 Drawing Sheets**



(56)

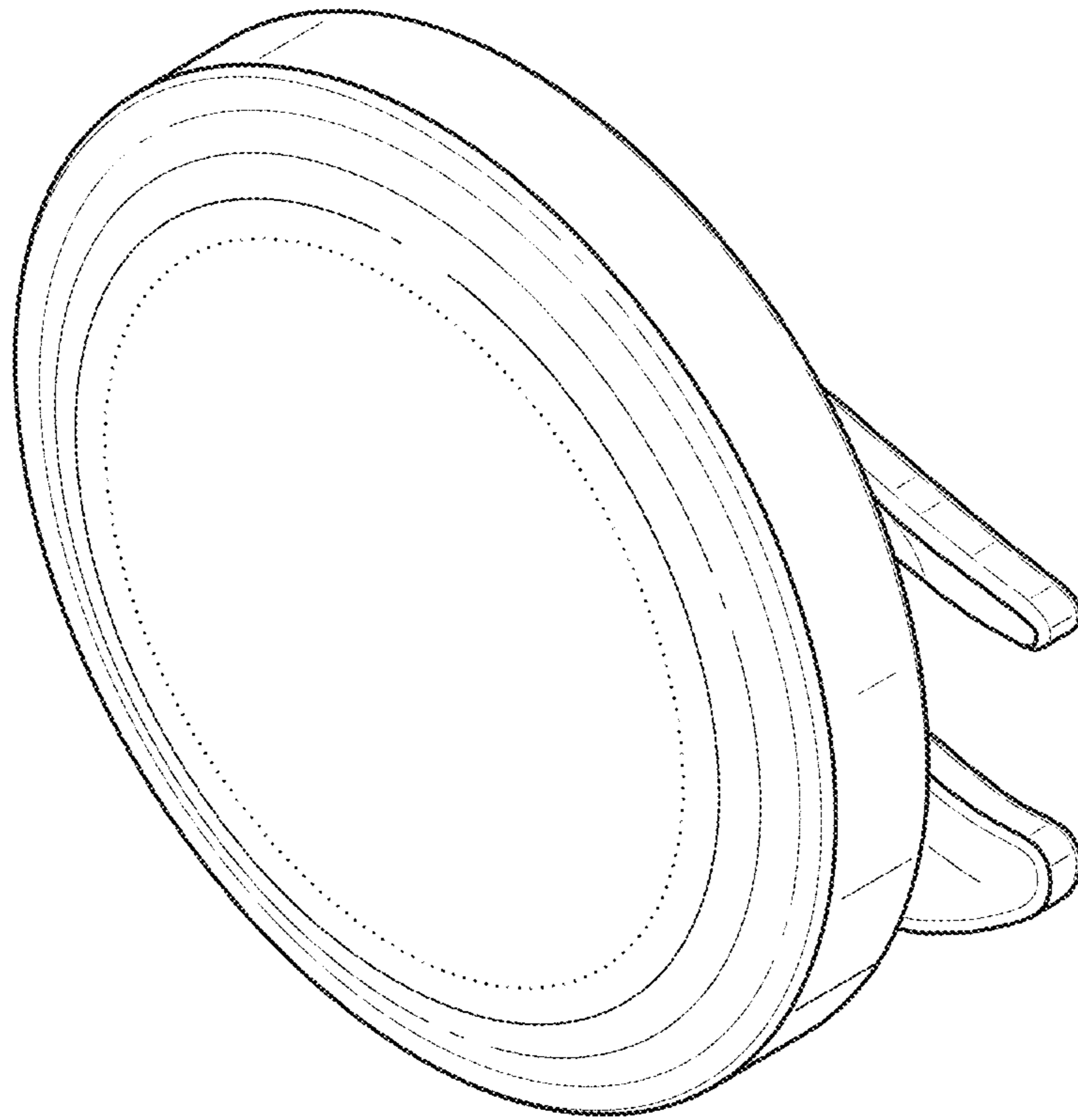
**References Cited**

U.S. PATENT DOCUMENTS

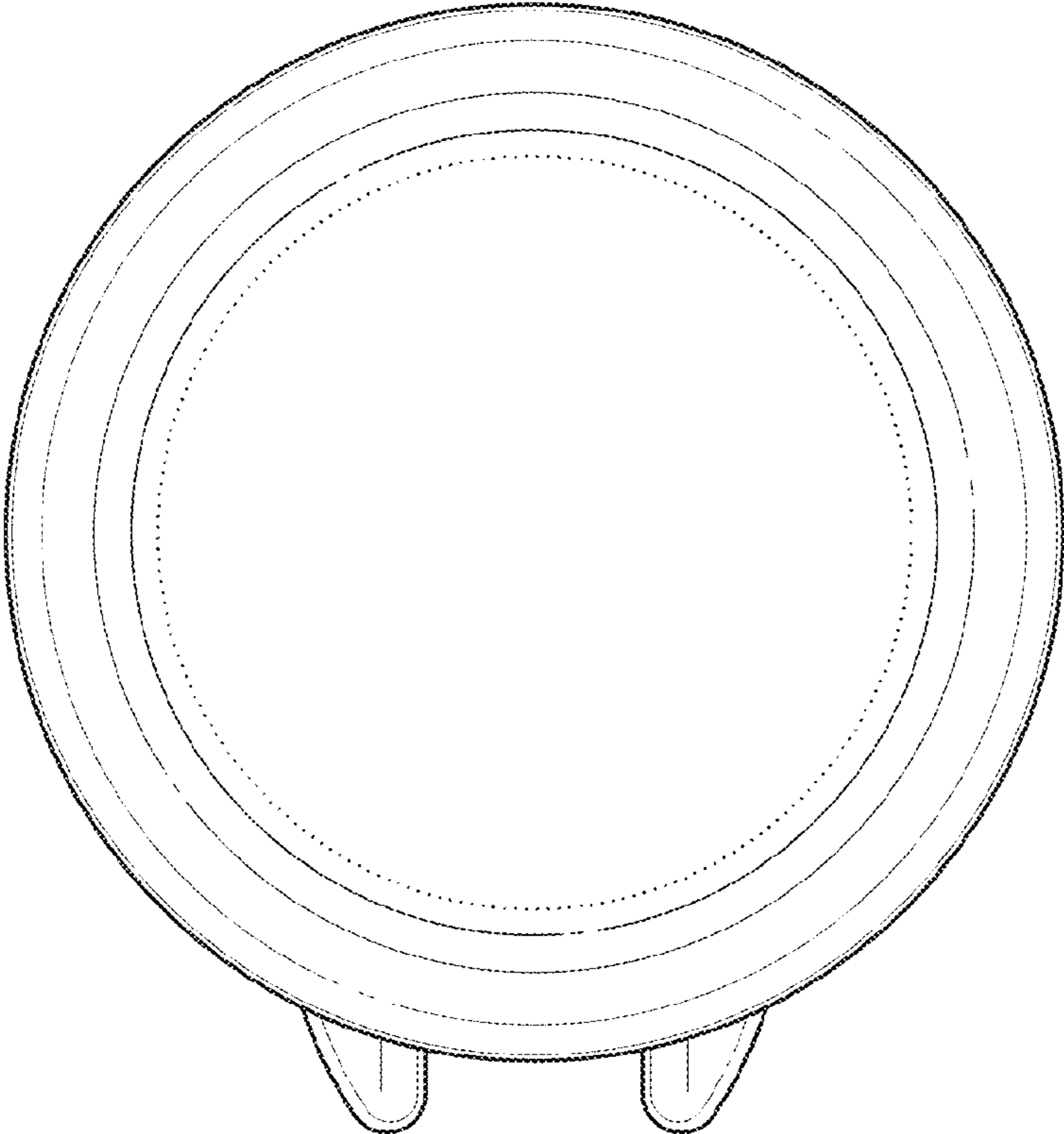
4,969,241 A 11/1990 Griffin  
5,033,168 A 7/1991 Sbragi  
5,161,285 A 11/1992 Jerjian  
5,337,584 A \* 8/1994 Angeli ..... A44B 1/14  
24/113 R  
5,379,611 A \* 1/1995 Impagliazzo ..... A44C 15/001  
63/1.17  
5,394,719 A 3/1995 Fang

5,621,951 A 4/1997 Gould  
D396,202 S 7/1998 Lindsay  
5,901,417 A 5/1999 Alexiou  
6,035,494 A 3/2000 Duke et al.  
D475,322 S 6/2003 Ouellette et al.  
2004/0226145 A1 11/2004 Ouellette et al.  
2008/0313864 A1 12/2008 Suter  
2011/0000052 A1 1/2011 Suter  
2011/0277502 A1 11/2011 Welikson  
2012/0117763 A1 5/2012 Patel  
2012/0240356 A1 9/2012 Nathanson

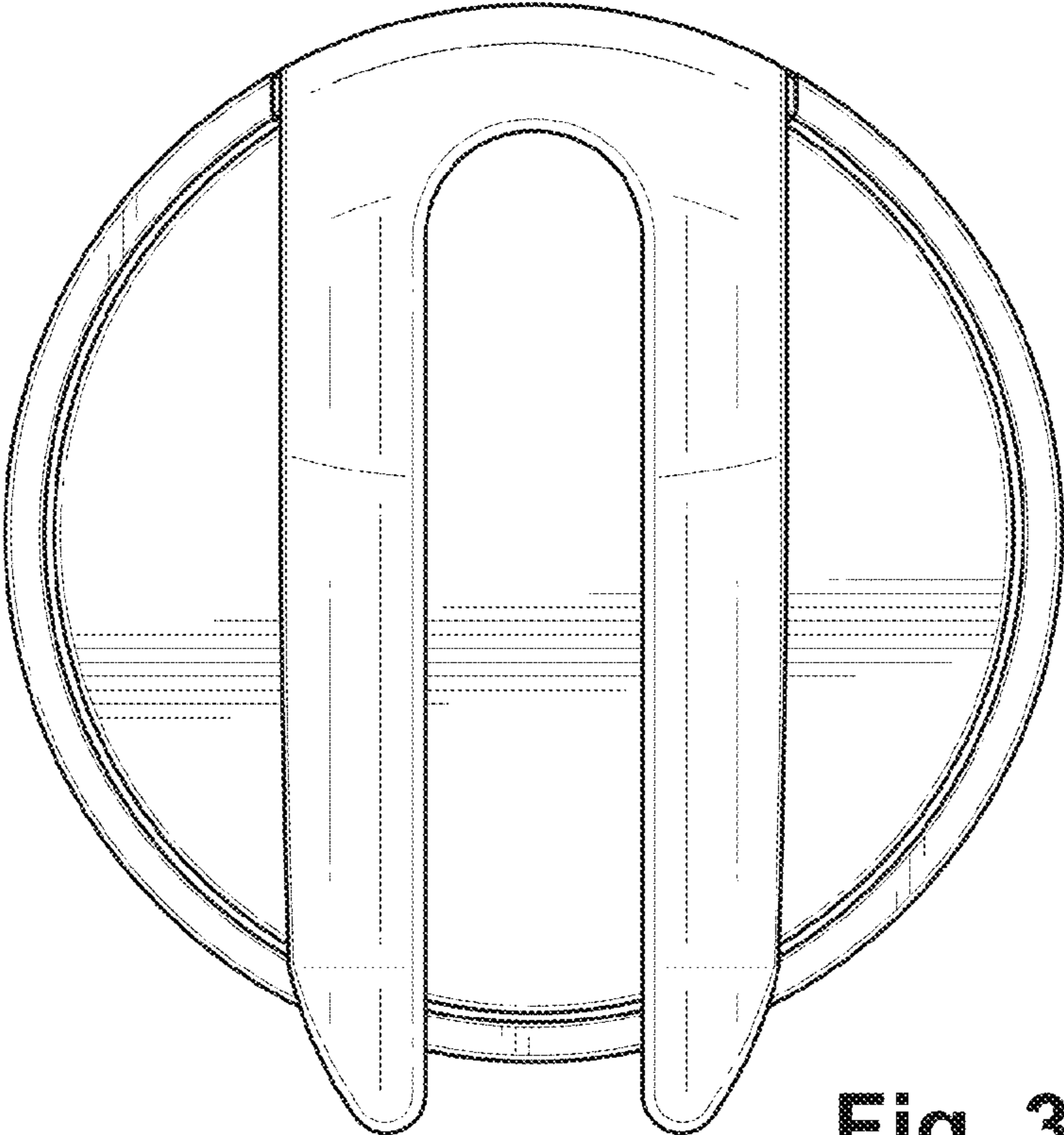
\* cited by examiner



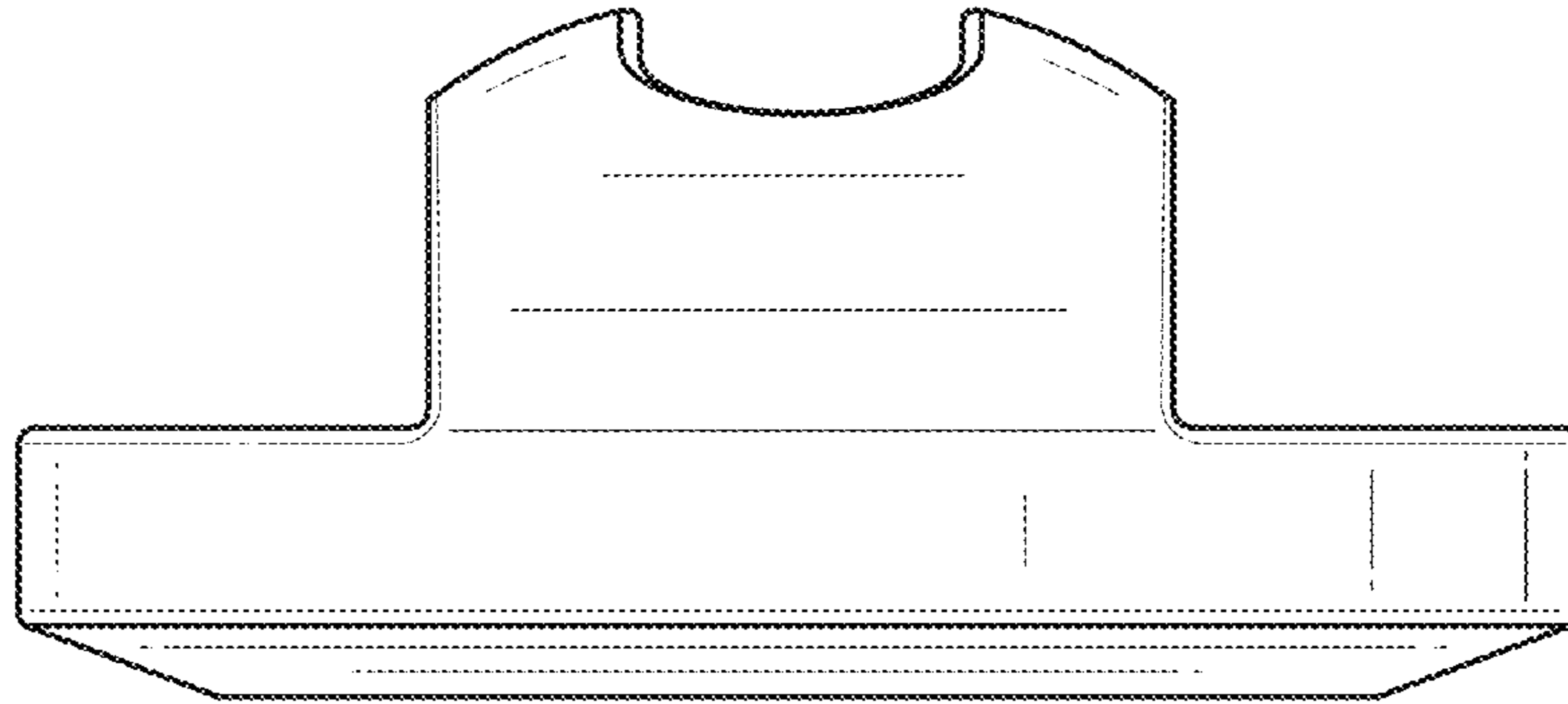
**Fig. 1**



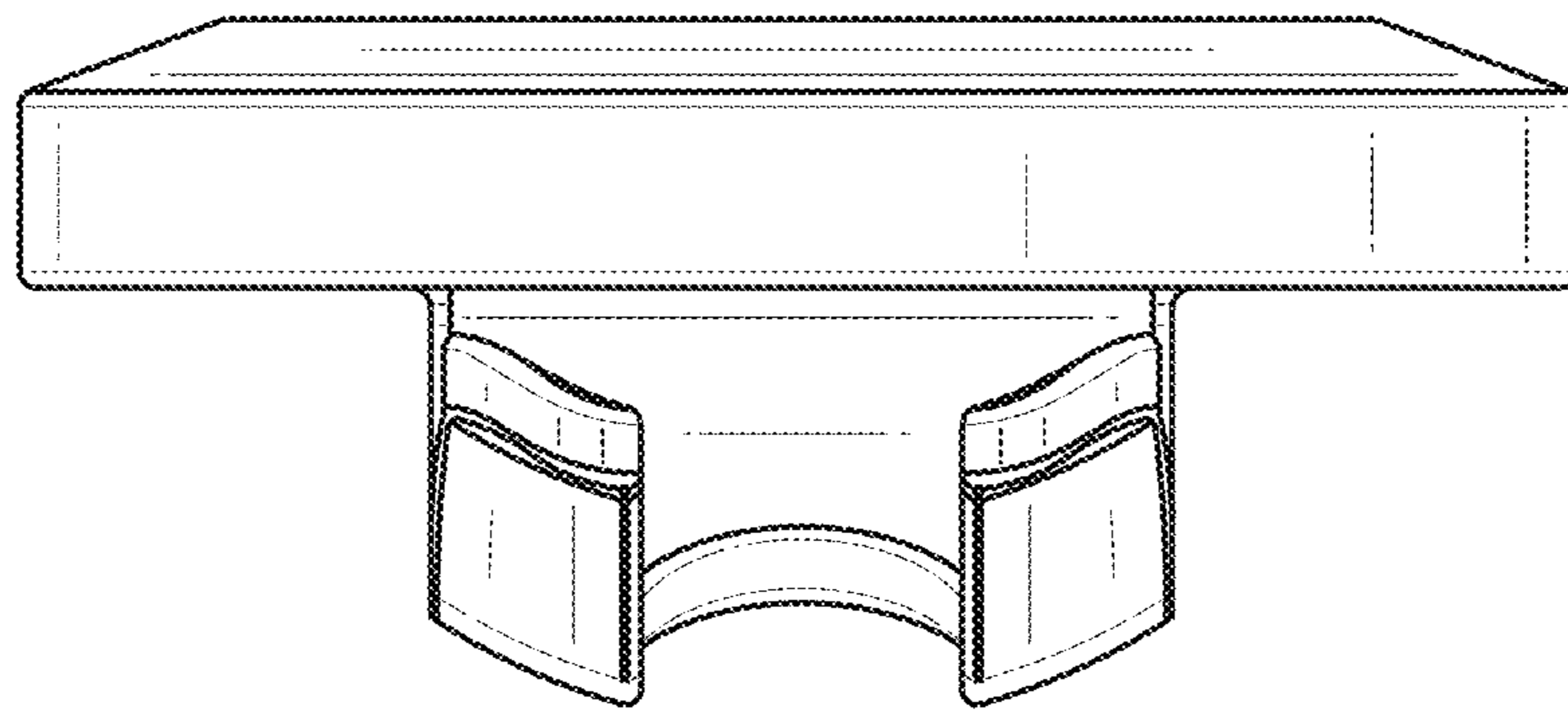
**Fig. 2**



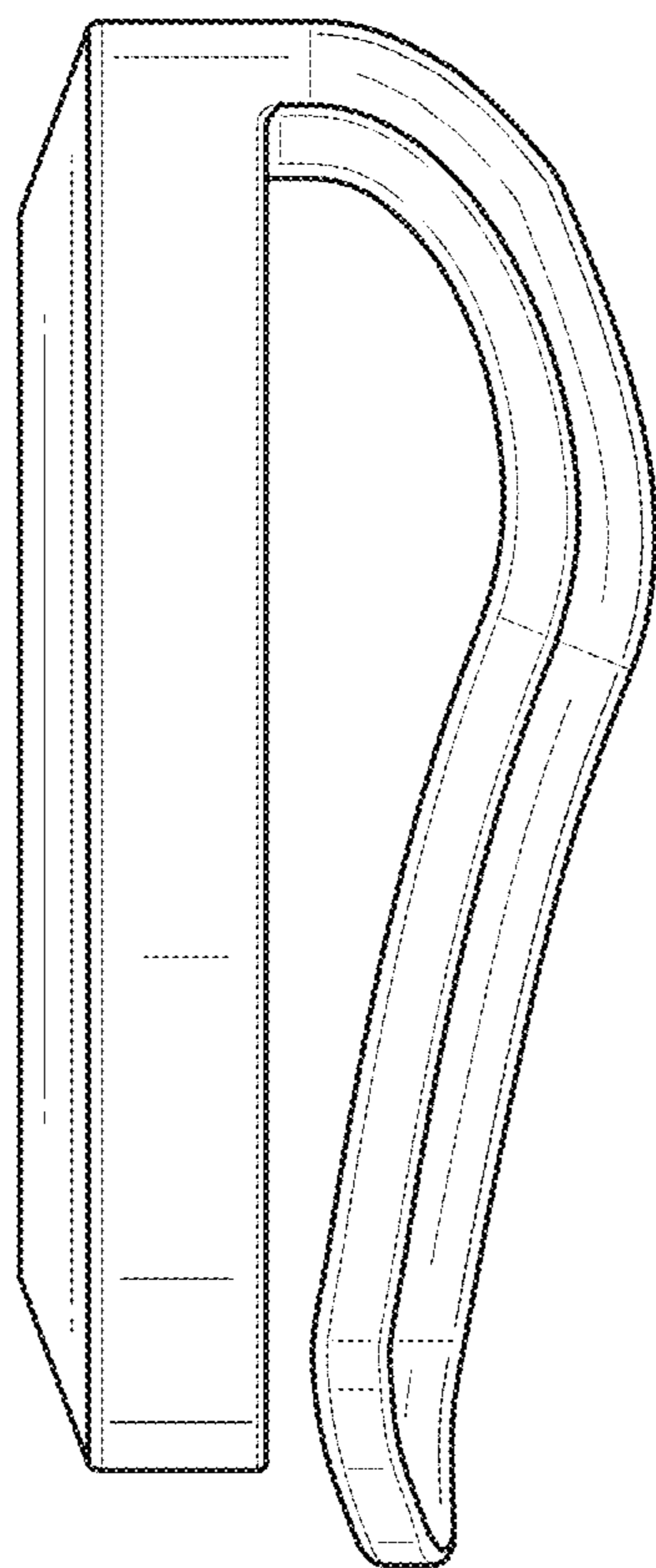
**Fig. 3**



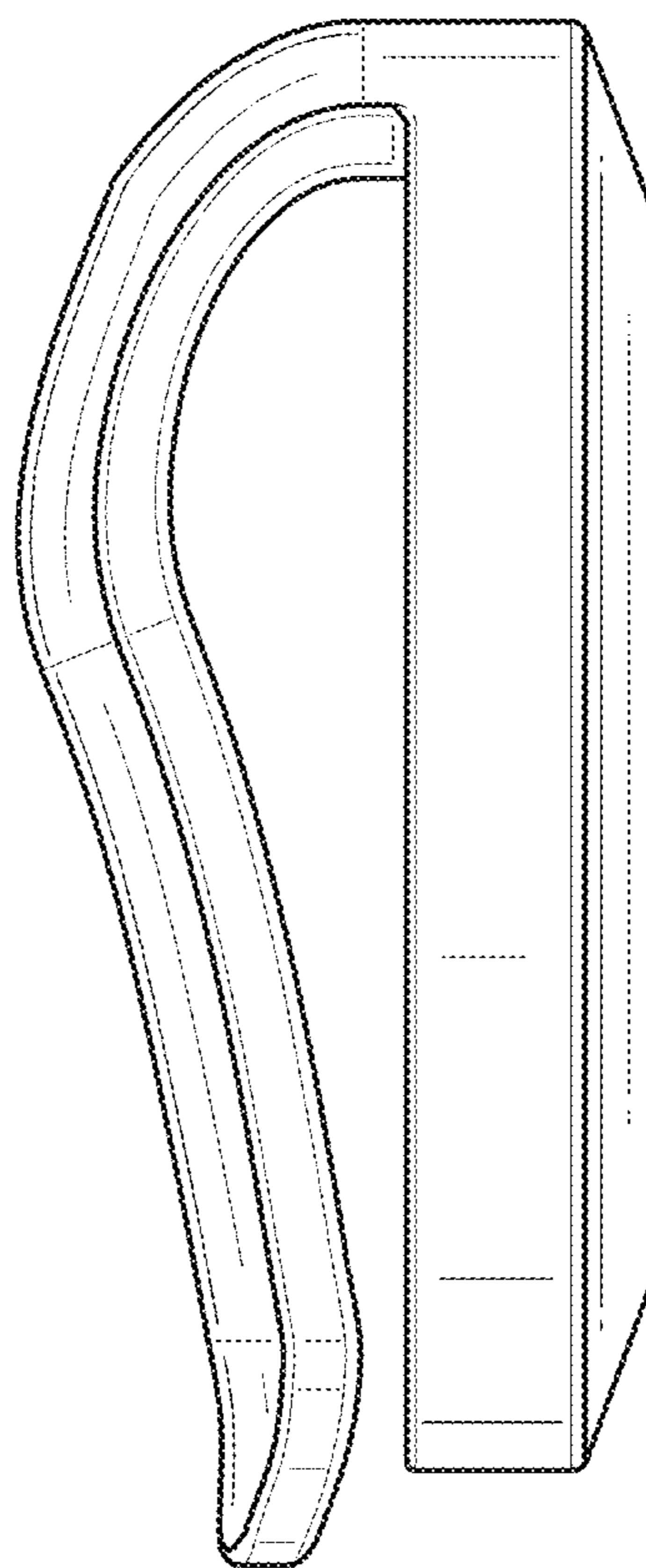
**Fig. 4**



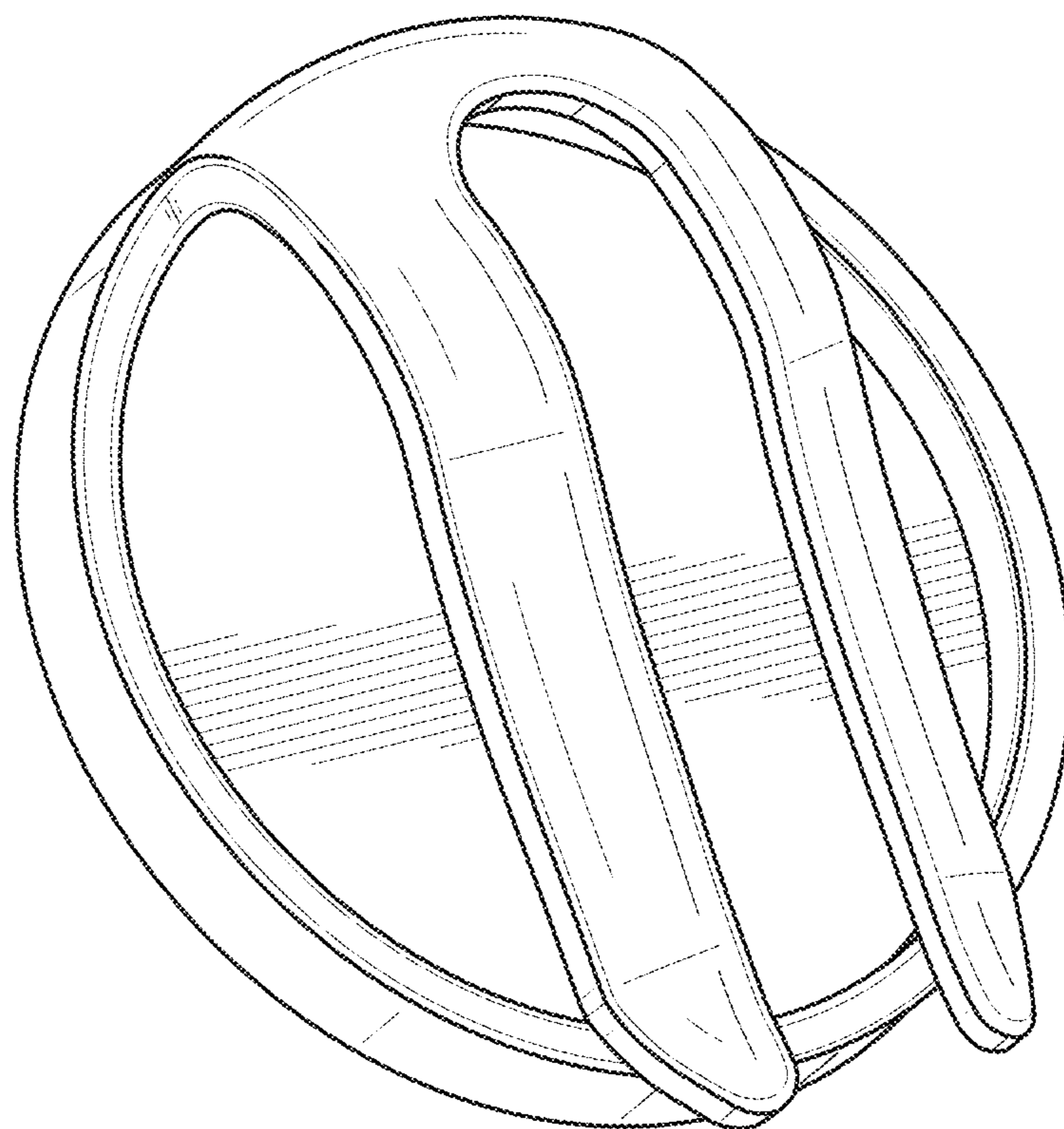
**Fig. 5**



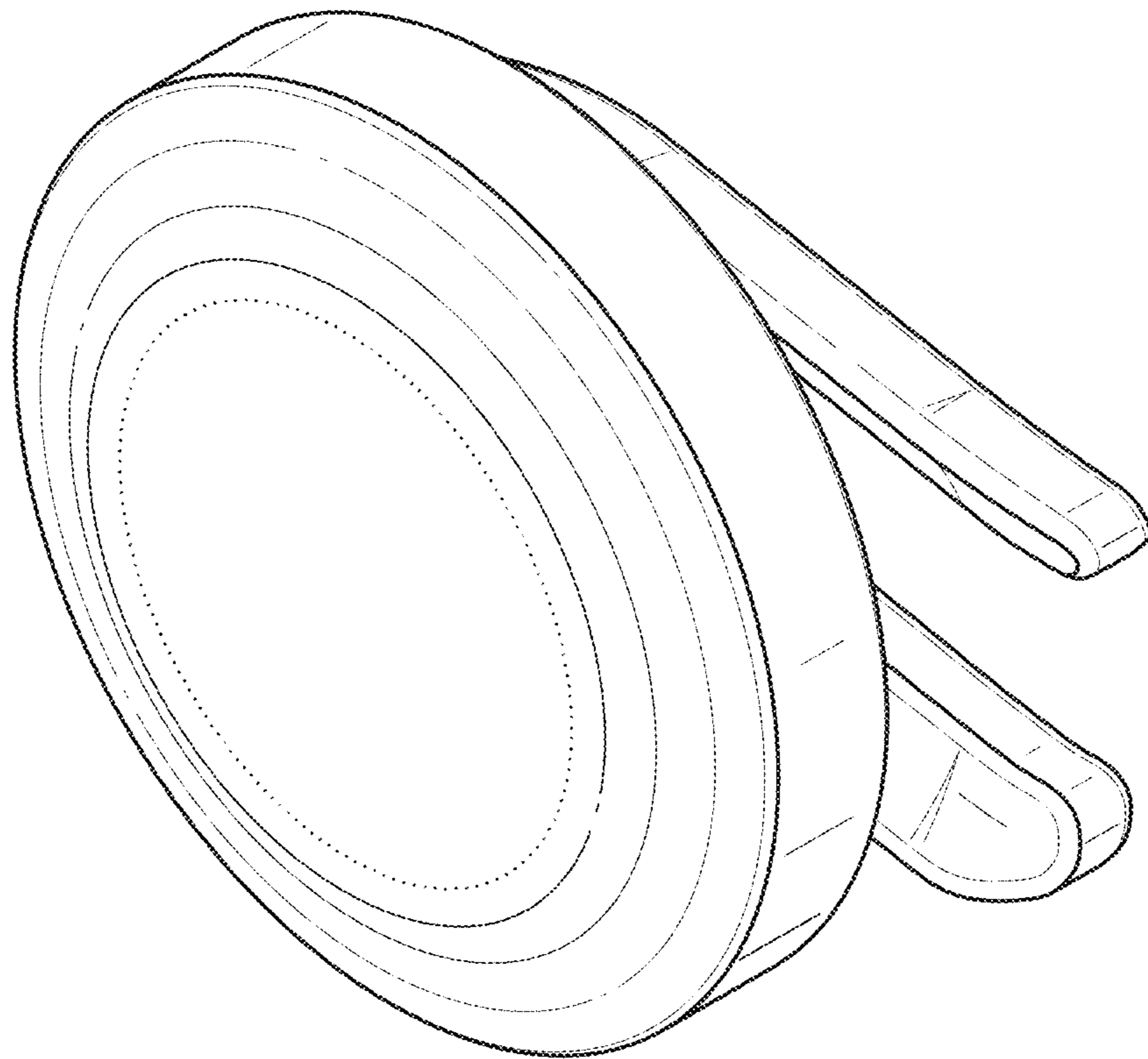
**Fig. 6**



**Fig. 7**

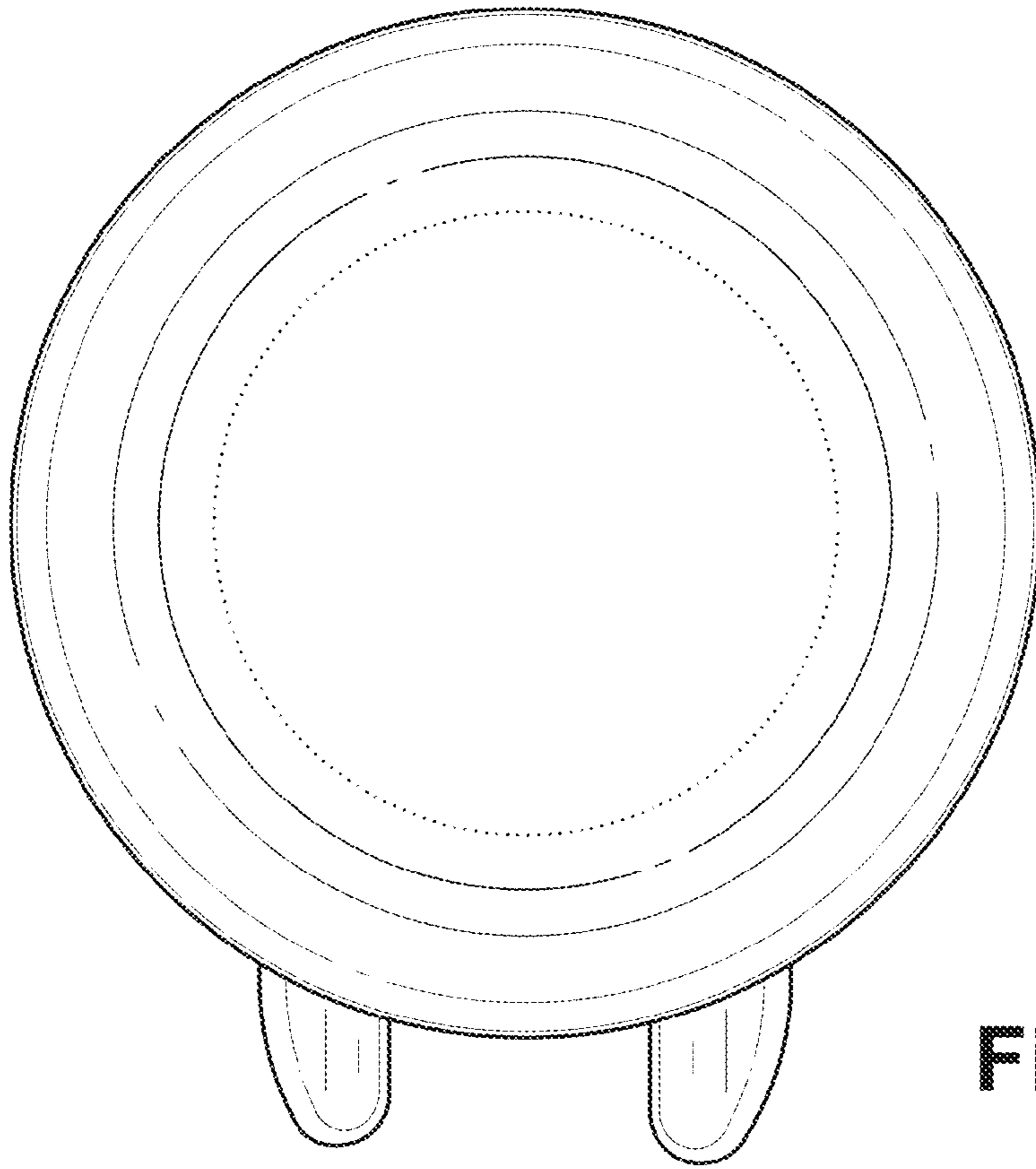


**Fig. 8**

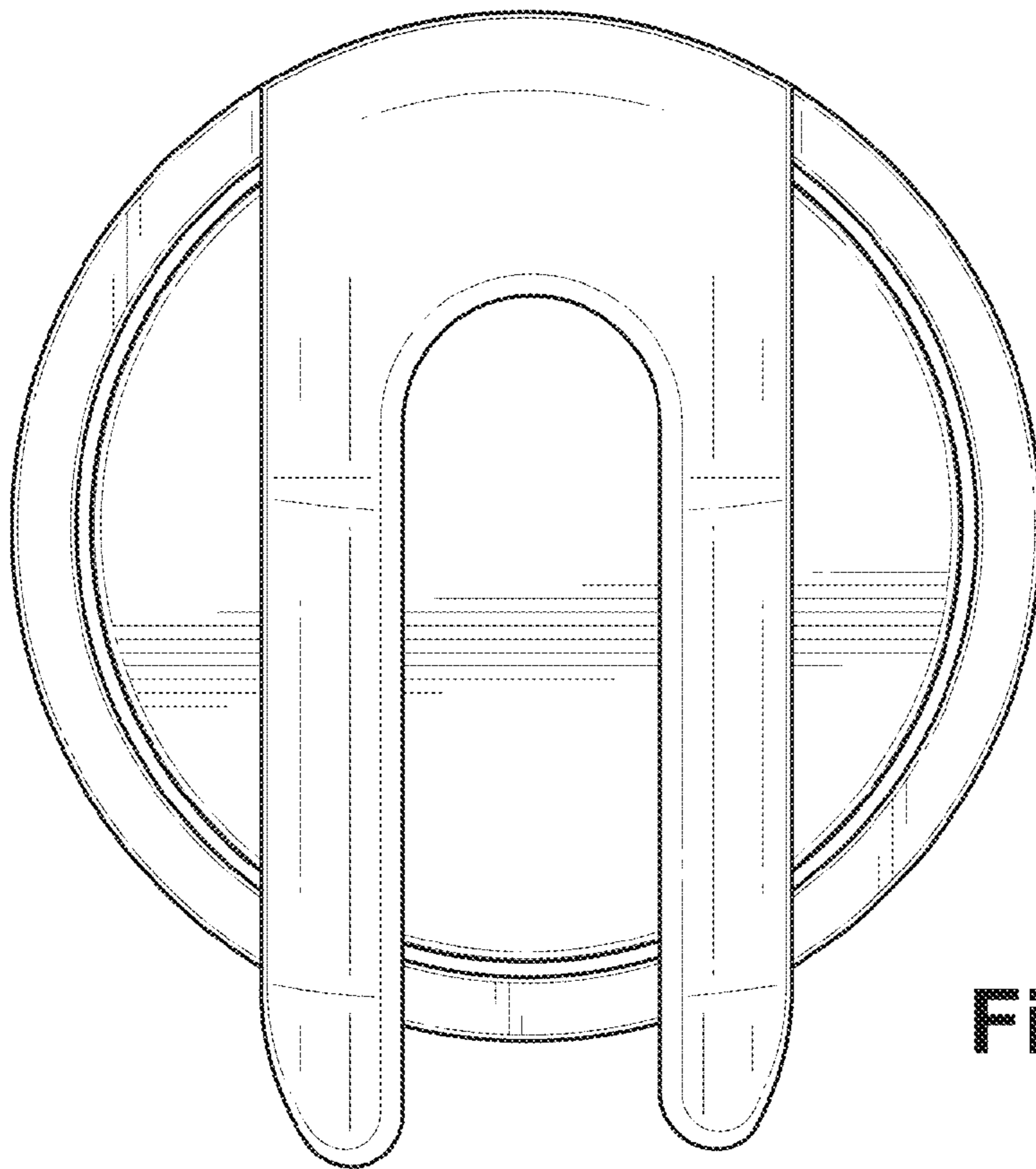


**Fig. 9**

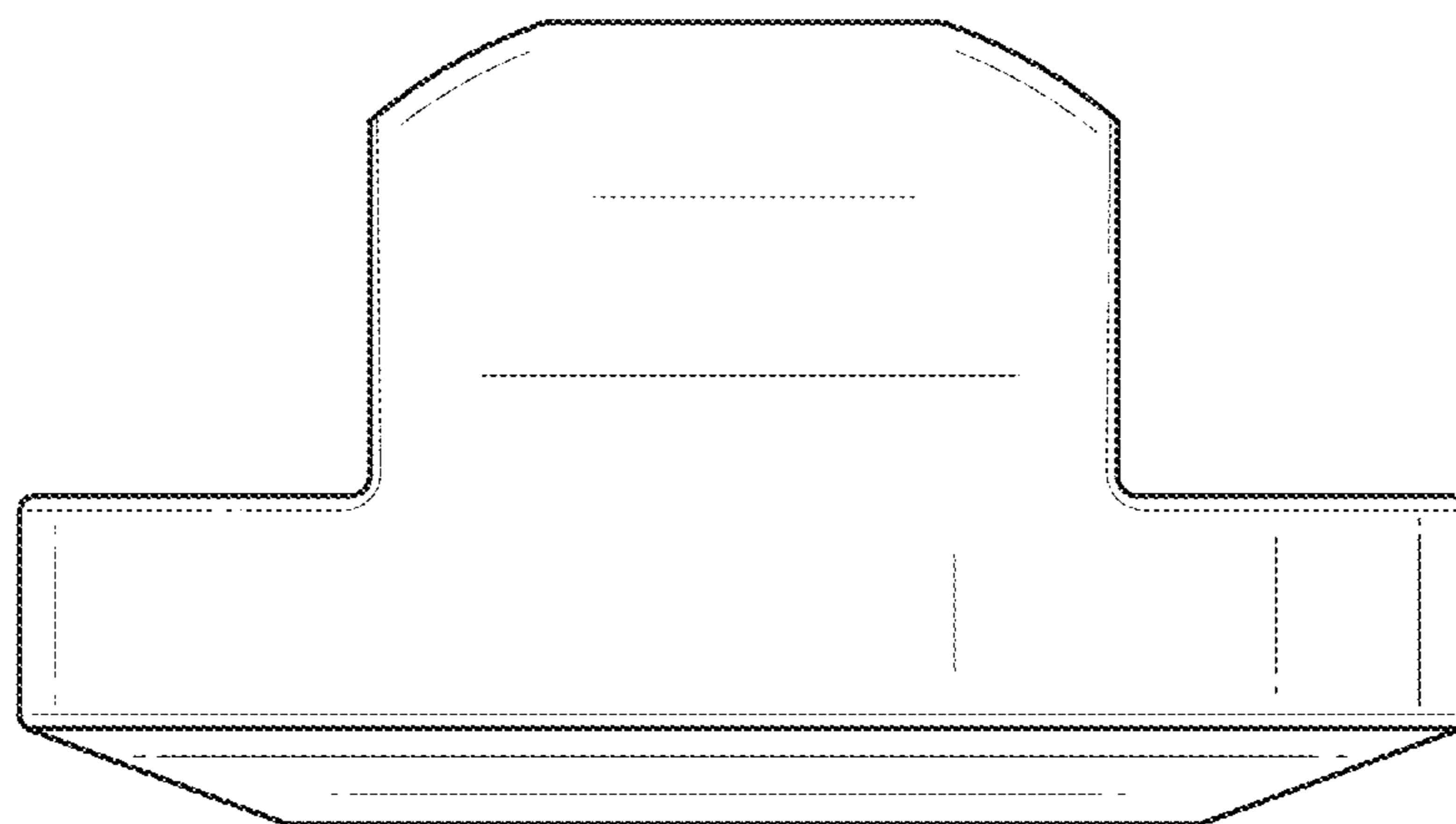




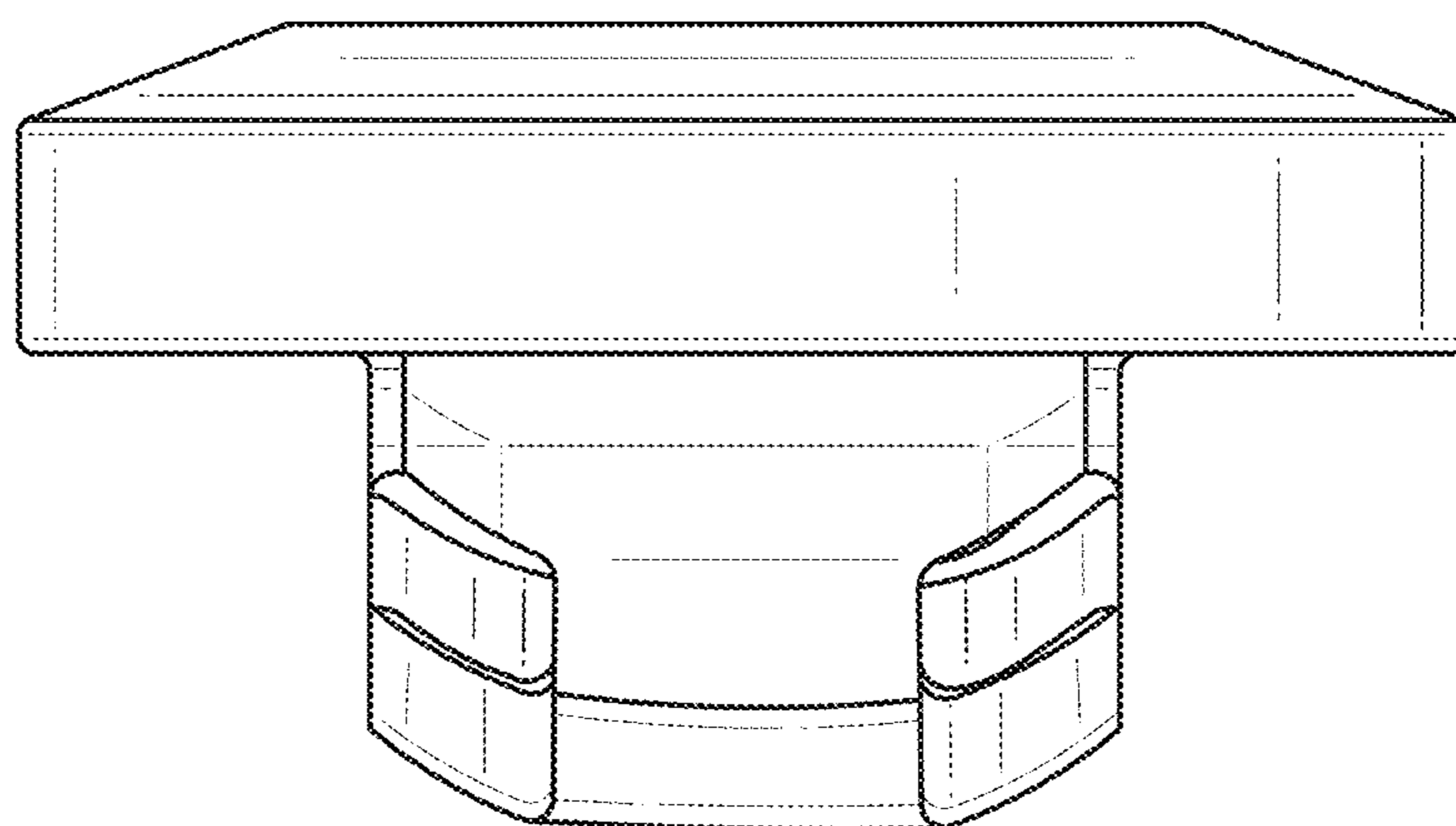
**Fig. 10**



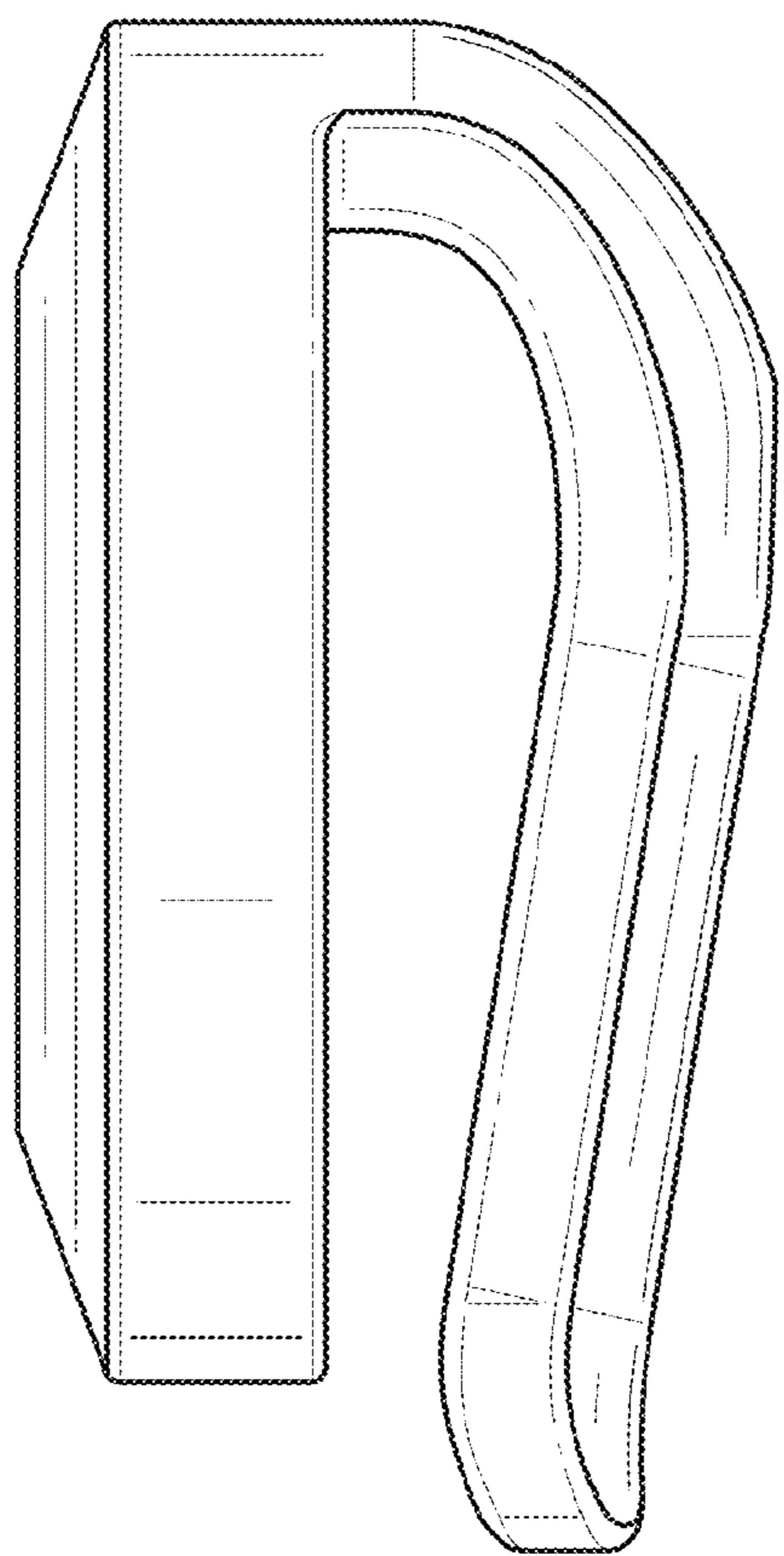
**Fig. 11**



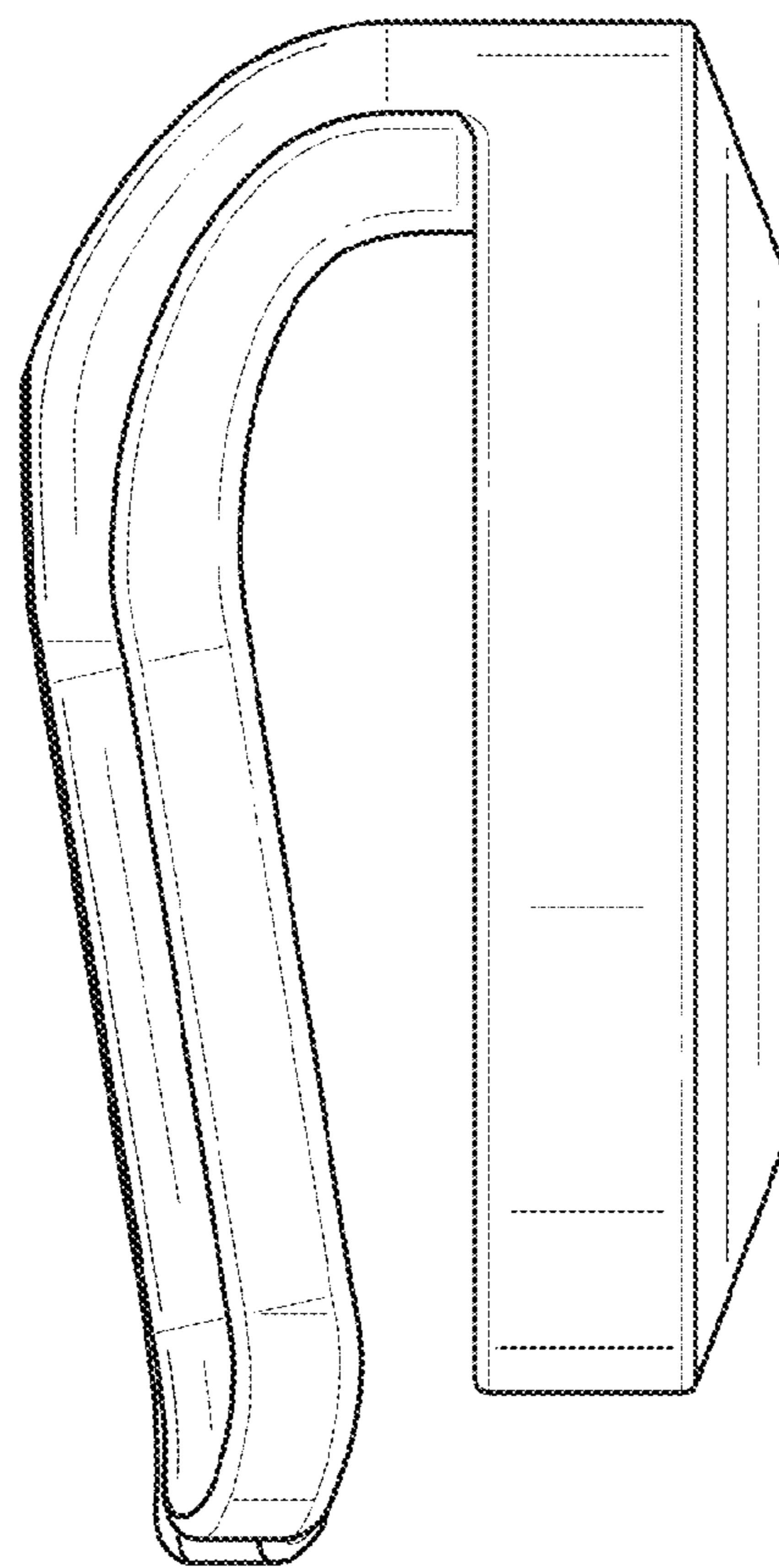
**Fig. 12**



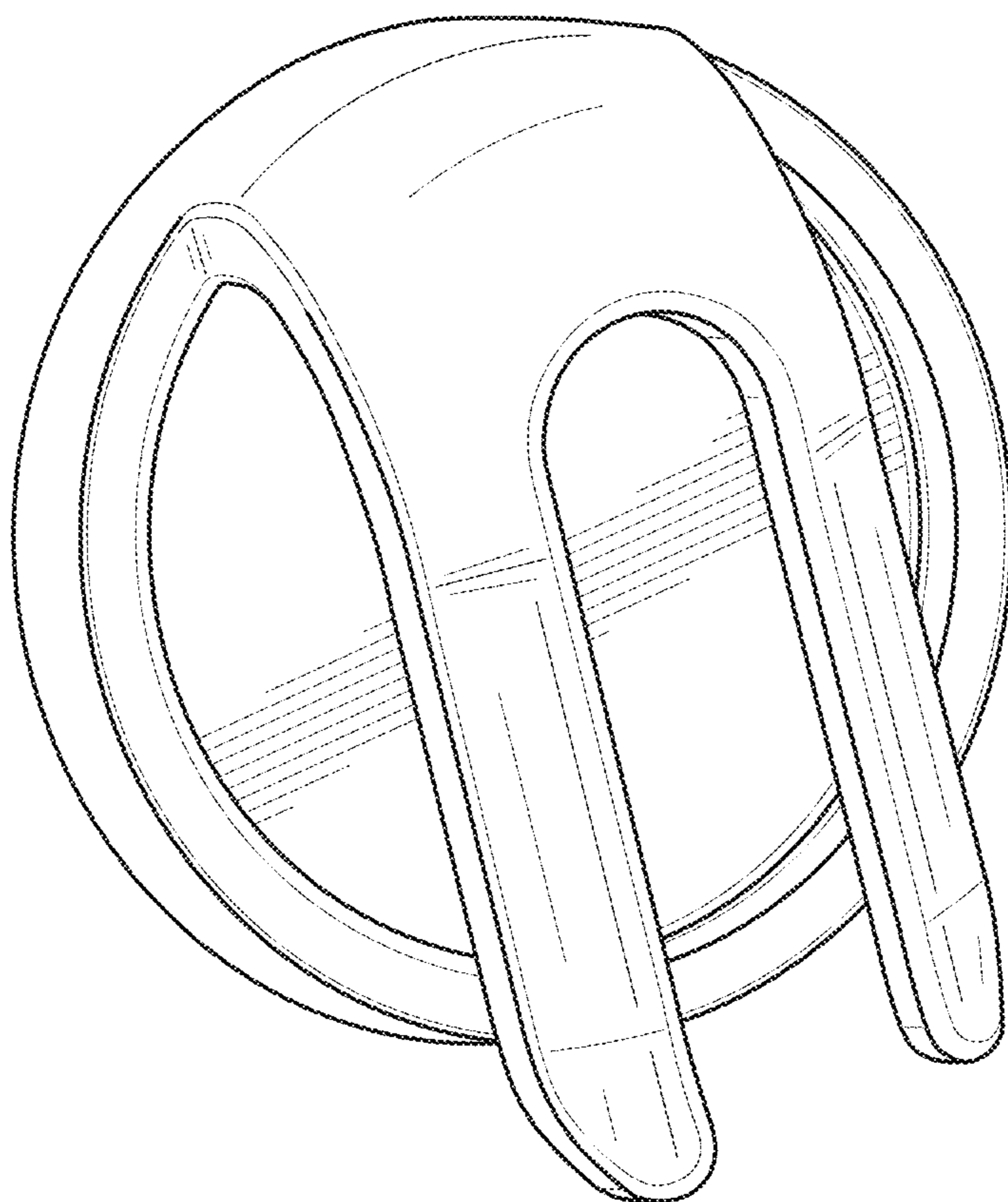
**Fig. 13**



**Fig. 14**



**Fig. 15**



**Fig. 16**