



US00D756837S

(12) **United States Design Patent**
Dennis

(10) **Patent No.:** **US D756,837 S**
(45) **Date of Patent:** **** May 24, 2016**

(54) **MAGNETIC CLASP FOR A NECKLACE**

5,317,789 A * 6/1994 Levy A44C 5/2042
24/303
D561,636 S * 2/2008 Khubani D11/87
D601,915 S * 10/2009 Heroux D11/87
7,690,088 B2 * 4/2010 Kogen A44C 5/2042
24/303

(71) Applicant: **ChainsN'Things LC.**, Las Vegas, NV
(US)

(72) Inventor: **Angela Marie Dennis**, Mission Viejo,
CA (US)

* cited by examiner

(**) Term: **14 Years**

Primary Examiner — Zenia Bennett

(21) Appl. No.: **29/516,458**

(22) Filed: **Feb. 2, 2015**

(51) **LOC (10) Cl.** **11-01**

(52) **U.S. Cl.**

USPC **D11/87**

(58) **Field of Classification Search**

USPC D11/1-2, 7, 40-44, 46-49, 53, 56, 57,
D11/59-61, 63, 65, 79-83, 86-87, 89-90,
D11/91-92, 99, 101, 106, 114-116,
D11/200-201; 63/3, 3.1, 12-14.9

CPC A44C 5/102; A44C 27/006; A44C 15/003;
A44C 15/0045; A44C 7/003

See application file for complete search history.

(56) **References Cited**

U.S. PATENT DOCUMENTS

D282,055 S * 1/1986 Brinkers D11/103
5,008,984 A * 4/1991 Levy A44C 5/2042
24/303

(57) **CLAIM**

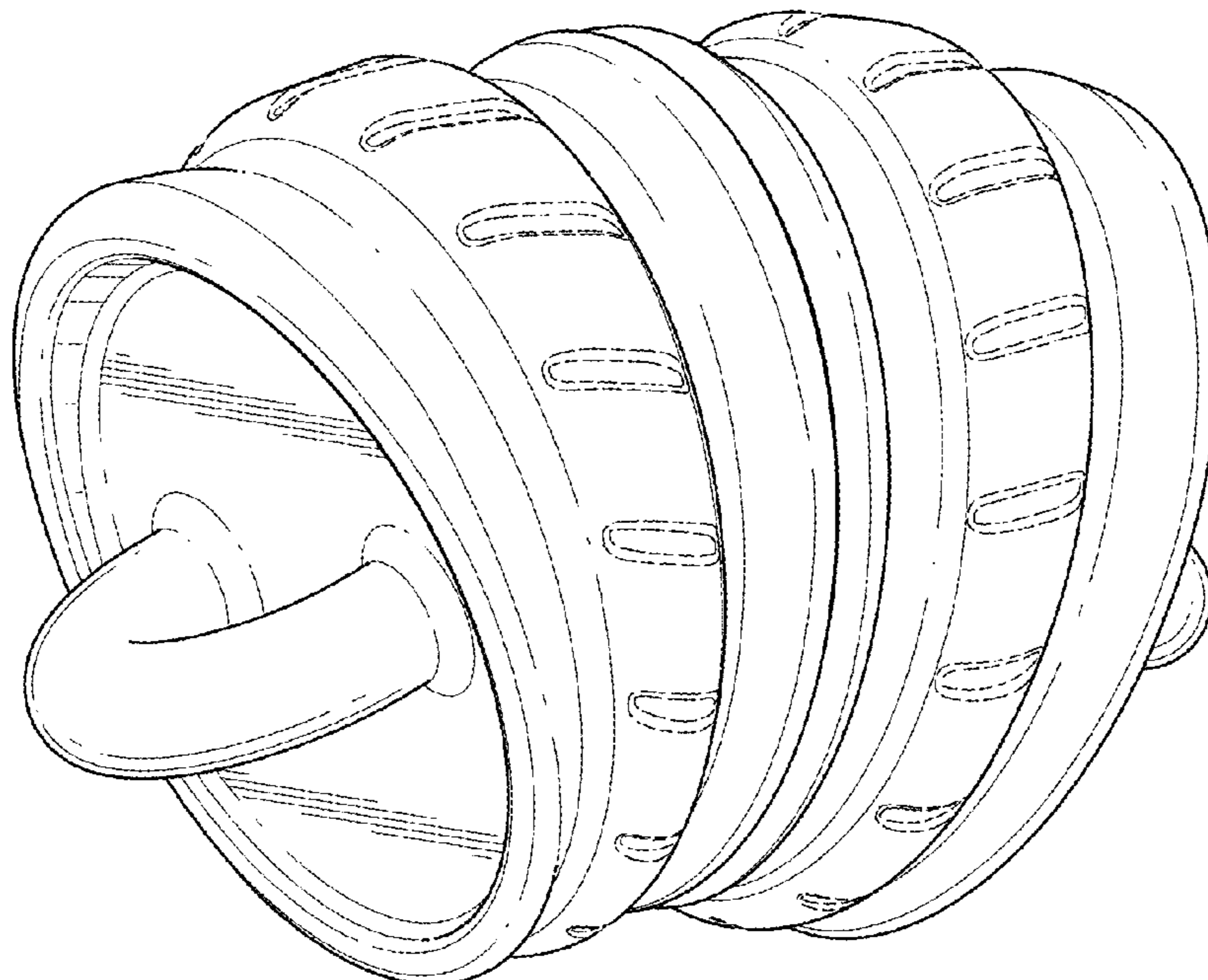
The ornamental design for a magnetic clasp for a necklace, as shown and described.

DESCRIPTION

FIG. 1 is a front, top, and side perspective view of a magnetic clasp for a necklace;
FIG. 2 is a rear, bottom, and side perspective view thereof;
FIG. 3 is a front view thereof;
FIG. 4 is a rear view thereof;
FIG. 5 is a top view thereof;
FIG. 6 is a bottom view thereof;
FIG. 7 is a right view thereof; and,
FIG. 8 is a left view thereof.

The broken lines showing features of the magnetic clasp for a necklace are for illustrative purposes only and form no part of the claimed design.

1 Claim, 5 Drawing Sheets



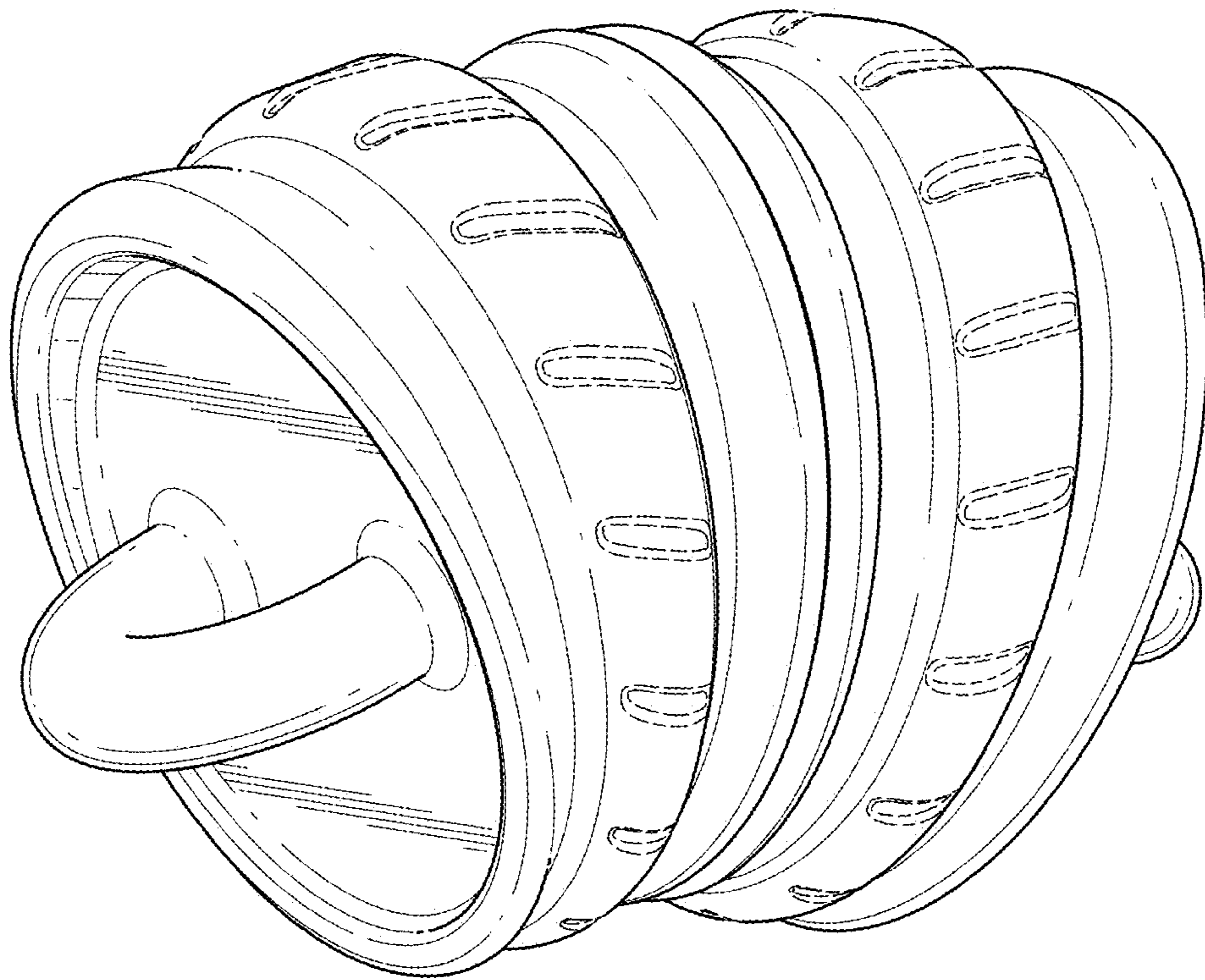


FIG. 1

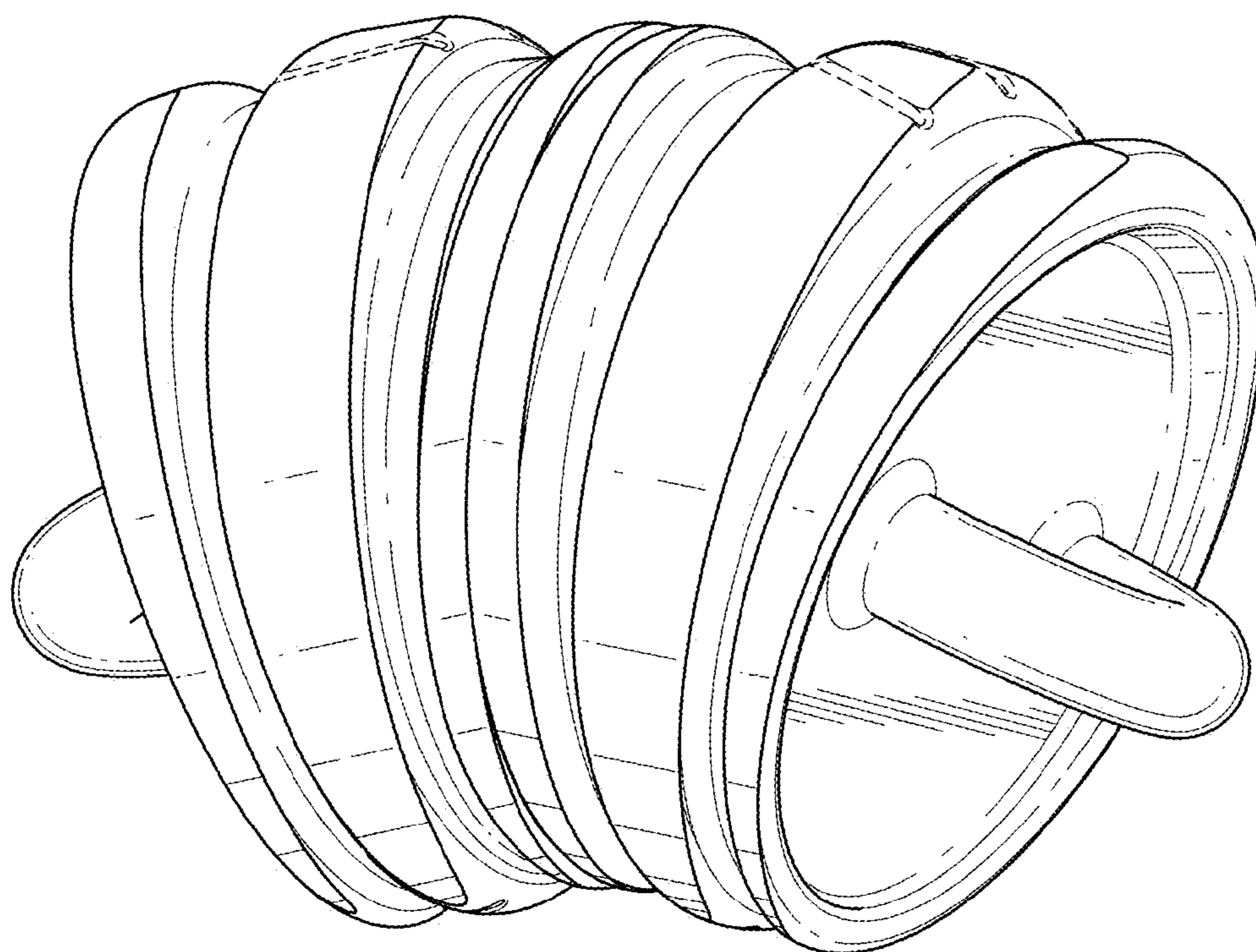


FIG. 2

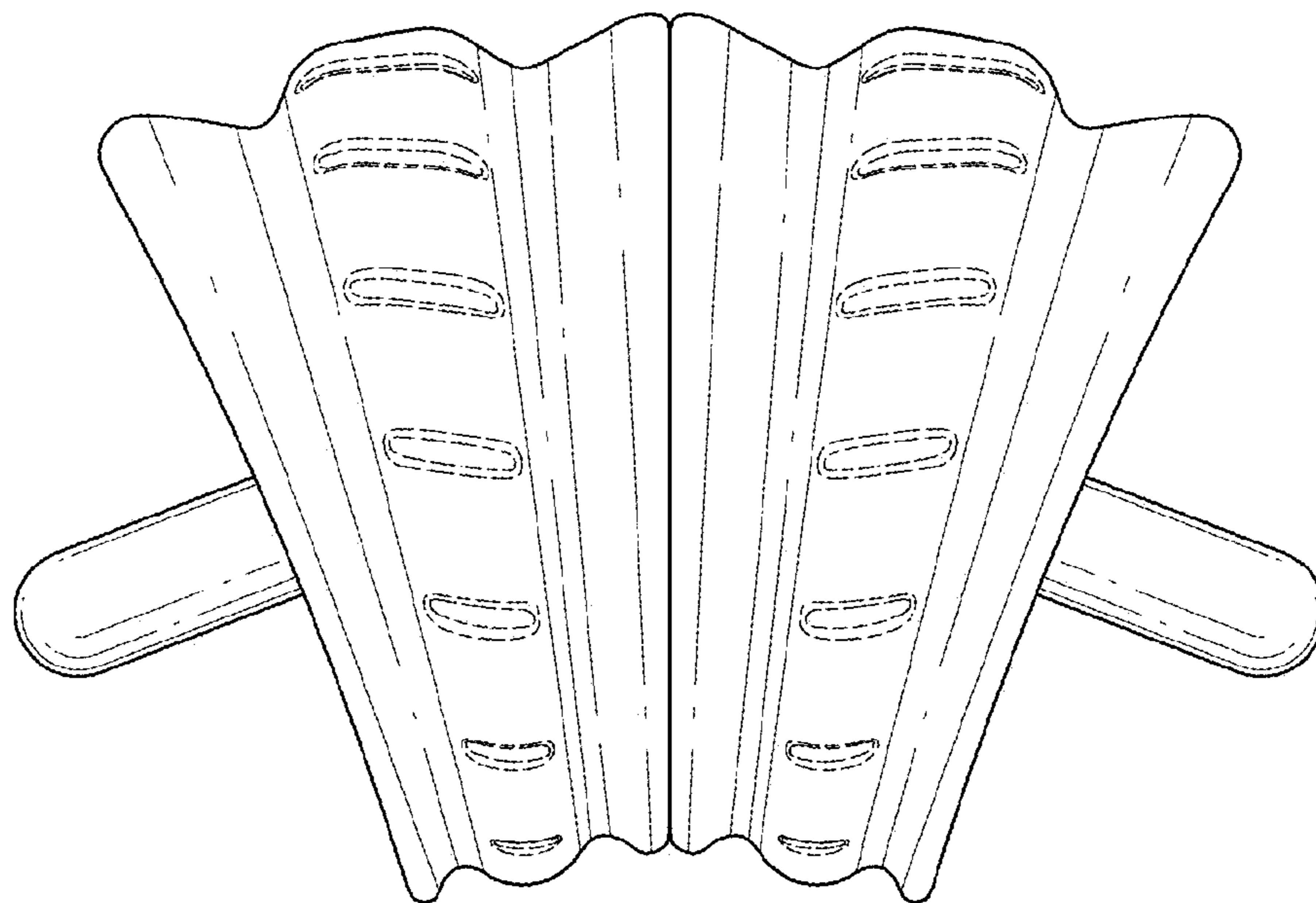


FIG. 3

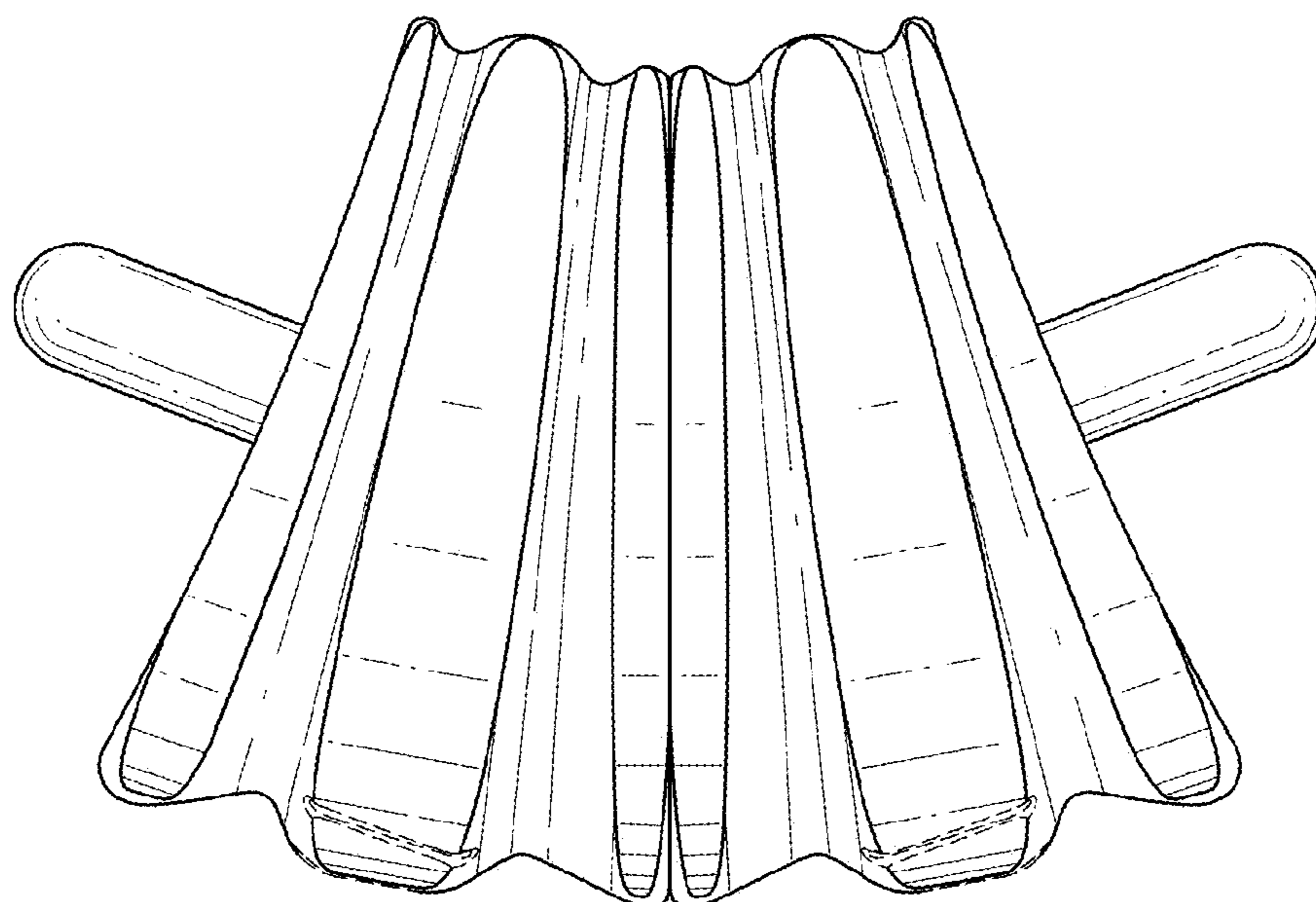


FIG. 4

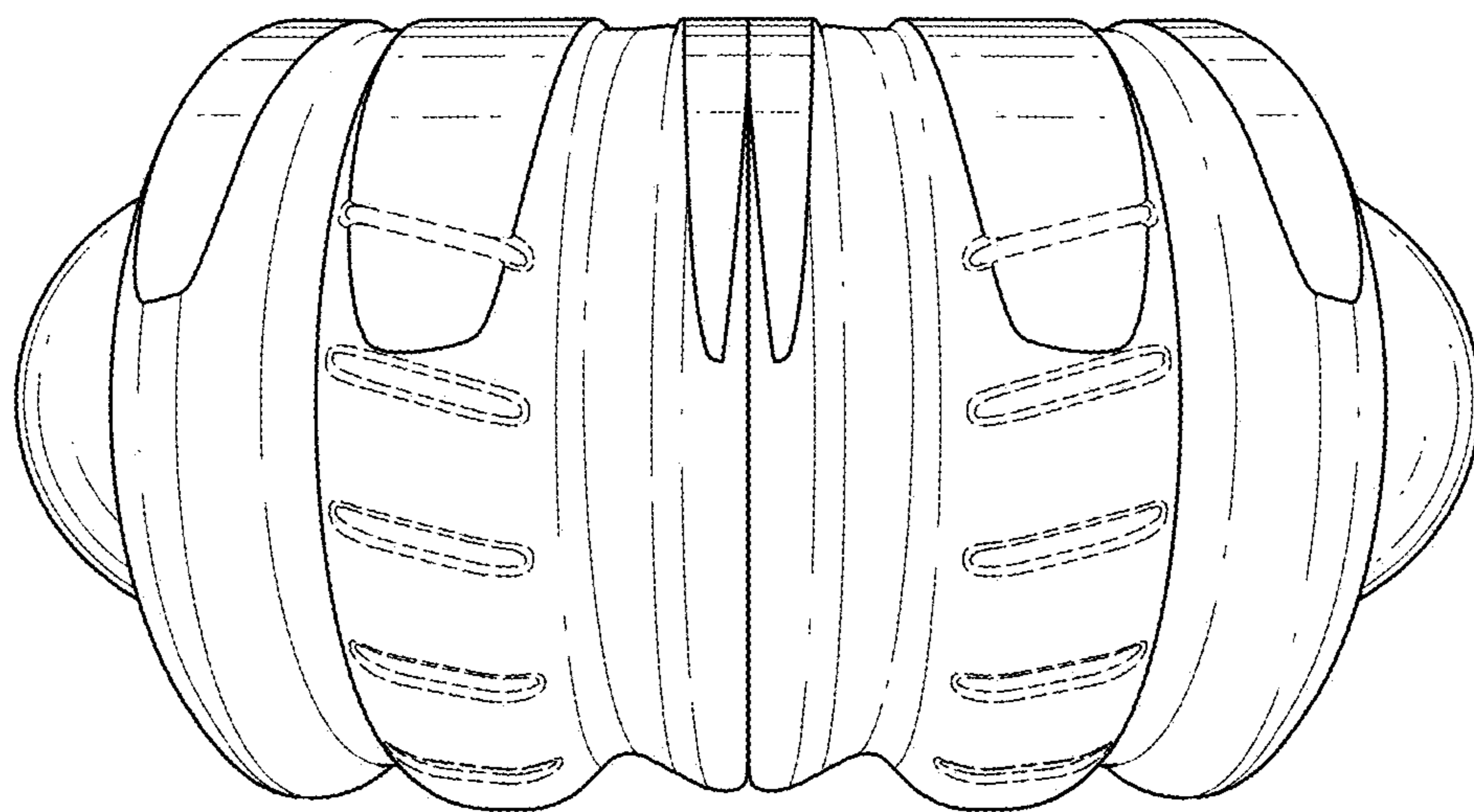


FIG. 5

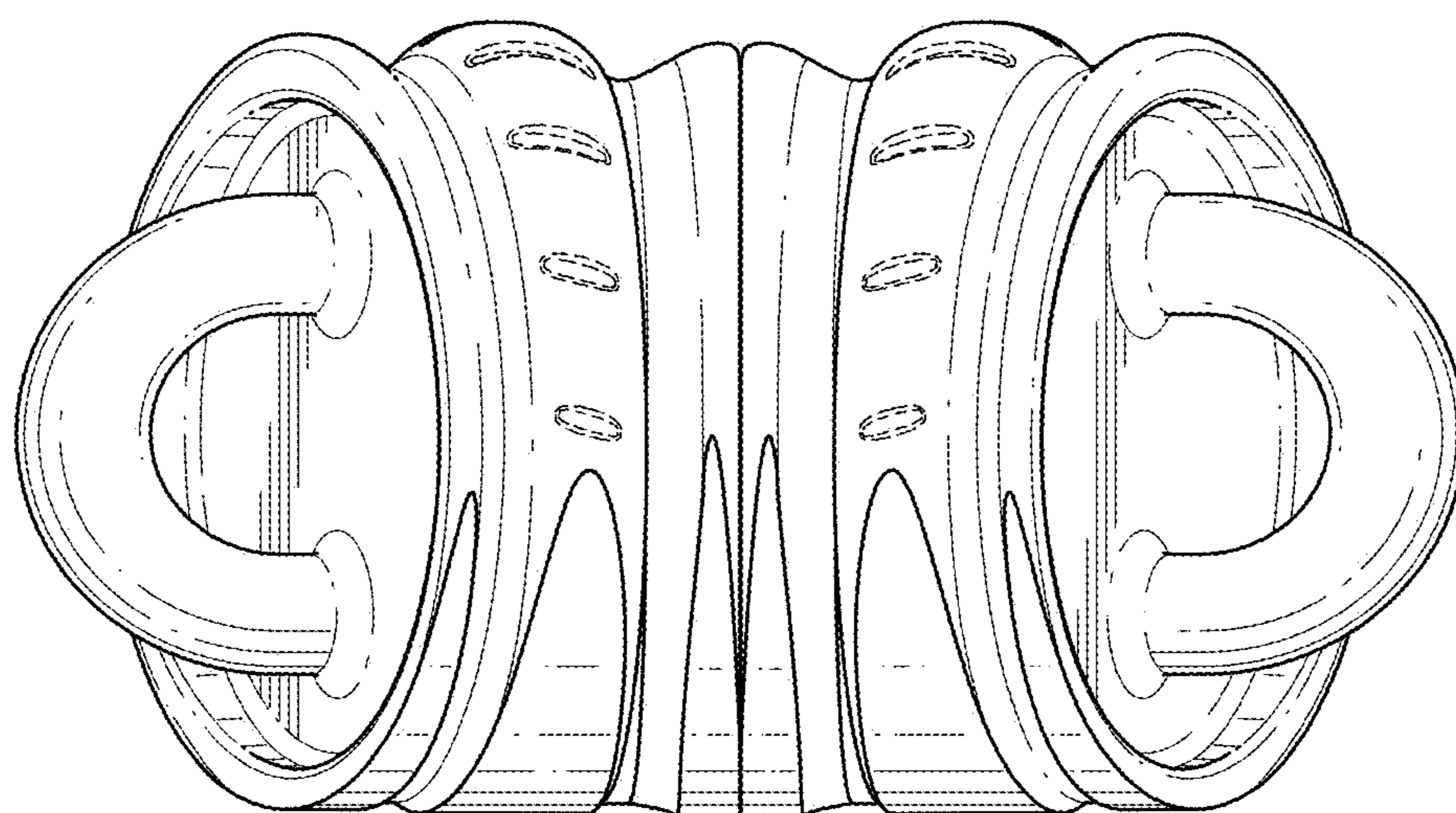


FIG. 6

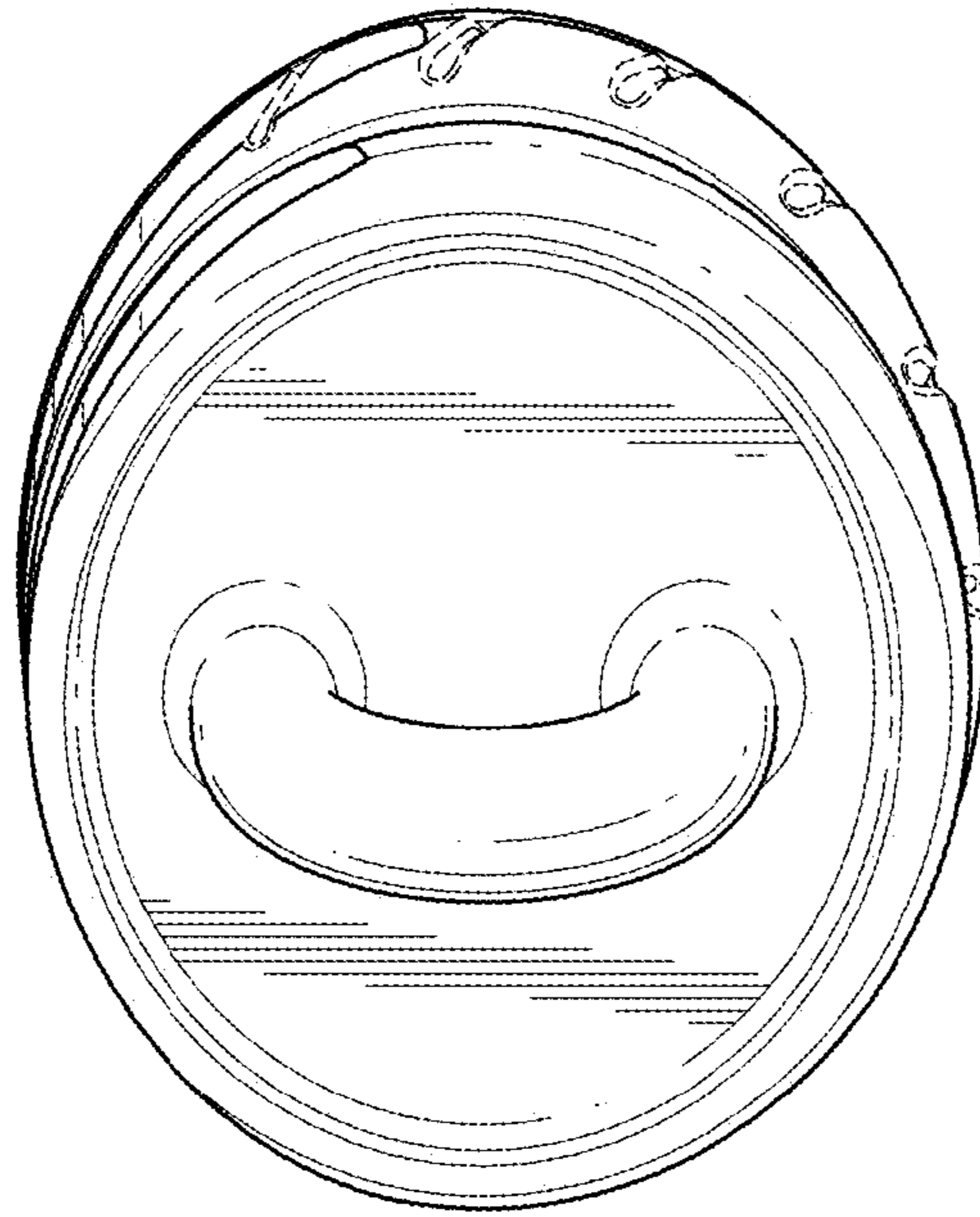


FIG. 7

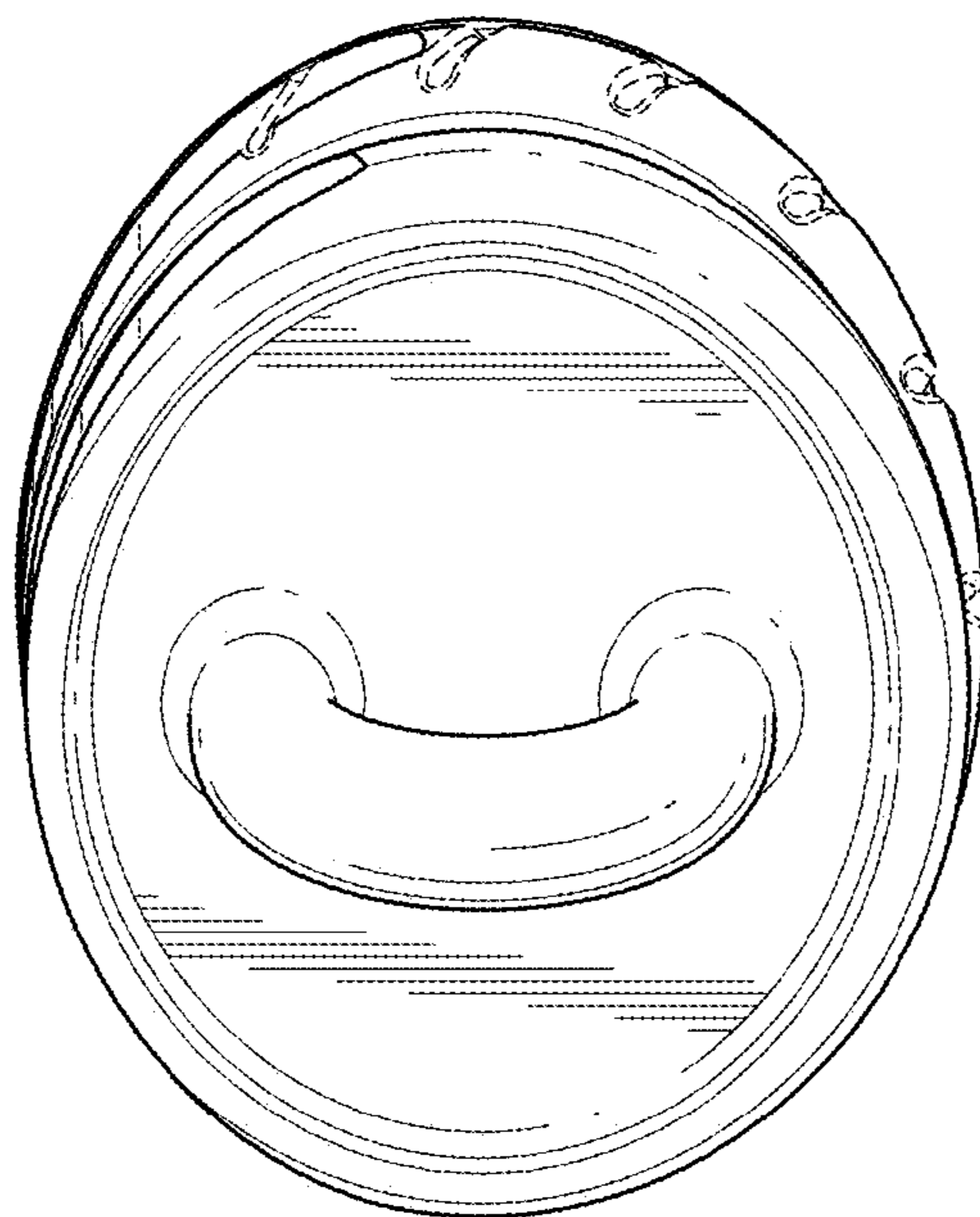


FIG. 8