



US00D756834S

(12) **United States Design Patent**
Vaughan et al.

(10) **Patent No.:** **US D756,834 S**

(45) **Date of Patent:** **** May 24, 2016**

(54) **PENDANT**

(71) Applicant: **Athletes for Christ, LP**, Beaumont, TX (US)

(72) Inventors: **John Kennedy Vaughan**, Beaumont, TX (US); **Tammie Vaughan**, Beaumont, TX (US)

(73) Assignee: **ATHLETES FOR CHRIST, LP**, Beaumont, TX (US)

(**) Term: **15 Years**

(21) Appl. No.: **29/529,071**

(22) Filed: **Jun. 3, 2015**

(51) **LOC (10) Cl.** **11-01**

(52) **U.S. Cl.**
USPC **D11/81**

(58) **Field of Classification Search**
USPC D11/1, 2, 7, 8, 40-52, 73, 79-86;
D8/75, 76, 77, 78, 79, 80
CPC A44C 1/00; A44C 3/00; A44C 3/001;
A44C 3/002; A44C 3/004; A44C 3/008;
A44C 25/00; A44C 25/001; A44C 25/002;
A44C 25/004; A44C 25/005; A44C 25/007;
B25D 1/00; B25D 1/12; B25D 1/14
See application file for complete search history.

(56) **References Cited**

U.S. PATENT DOCUMENTS

D9,256 S *	5/1876	Savage	D11/81
D11,481 S *	11/1879	Gerow	D11/81
D11,540 S *	12/1879	Gerow	D11/81
D143,117 S *	12/1945	Bieberbach	D11/73
4,683,784 A *	8/1987	Lamont	B25G 1/01 16/431
D451,426 S *	12/2001	Fitzpatrick	D11/81
D519,814 S *	5/2006	Hung	D8/77

D539,344 S *	3/2007	Mork	D19/156
D570,241 S *	6/2008	Pineda	D11/81
D571,685 S *	6/2008	Pineda	D11/81
D574,690 S *	8/2008	Chen	D8/77
D618,977 S *	7/2010	Ruhland	D8/77
D653,094 S *	1/2012	Onello	D8/77
D653,095 S *	1/2012	Onello	D8/77

OTHER PUBLICATIONS

[Online] http://cdn1.bigcommerce.com/n-63unu/d05toasu/products/768/images/1200/Sledgehammer_99433.1432241251.1280.1280.jpg?c=2. Retrieved Mar. 16, 2016.*

[Online] http://cdn.shopify.com/s/files/1/0116/4532/products/SledgehammerSilverA2_1024x1024.jpg?v=1384391370. Retrieved Mar. 16, 2016.*

[Online] https://img0.etsystatic.com/000/0/6043295/il_570xN.296405514.jpg. Retrieved Mar. 16, 2016.*

* cited by examiner

Primary Examiner — Garth Rademaker

Assistant Examiner — Melanie Pellegrini

(74) *Attorney, Agent, or Firm* — Egbert Law Offices, PLLC

(57) **CLAIM**

The ornamental design for a pendant, as shown and described.

DESCRIPTION

FIG. 1 is a perspective view of a pendant showing our new design.

FIG. 2 is a front thereof;

FIG. 3 is a rear view thereof;

FIG. 4 is a side view thereof;

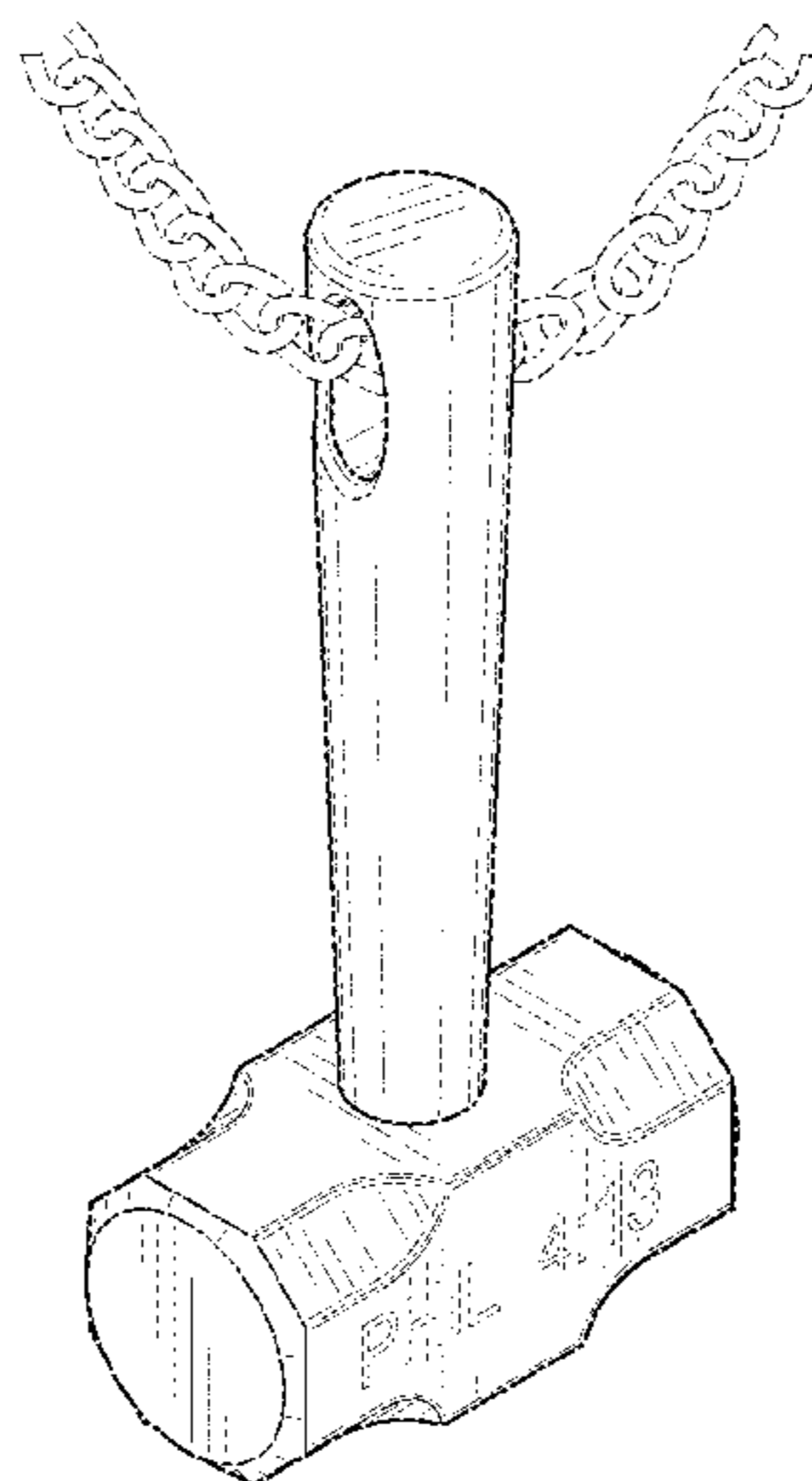
FIG. 5 is an opposite view thereof;

FIG. 6 is a top view thereof; and,

FIG. 7 is a bottom view thereof.

The broken lines showing a chain represent environmental matter and the remaining broken lines represent portions of the pendant that form no part of the claimed design.

1 Claim, 2 Drawing Sheets



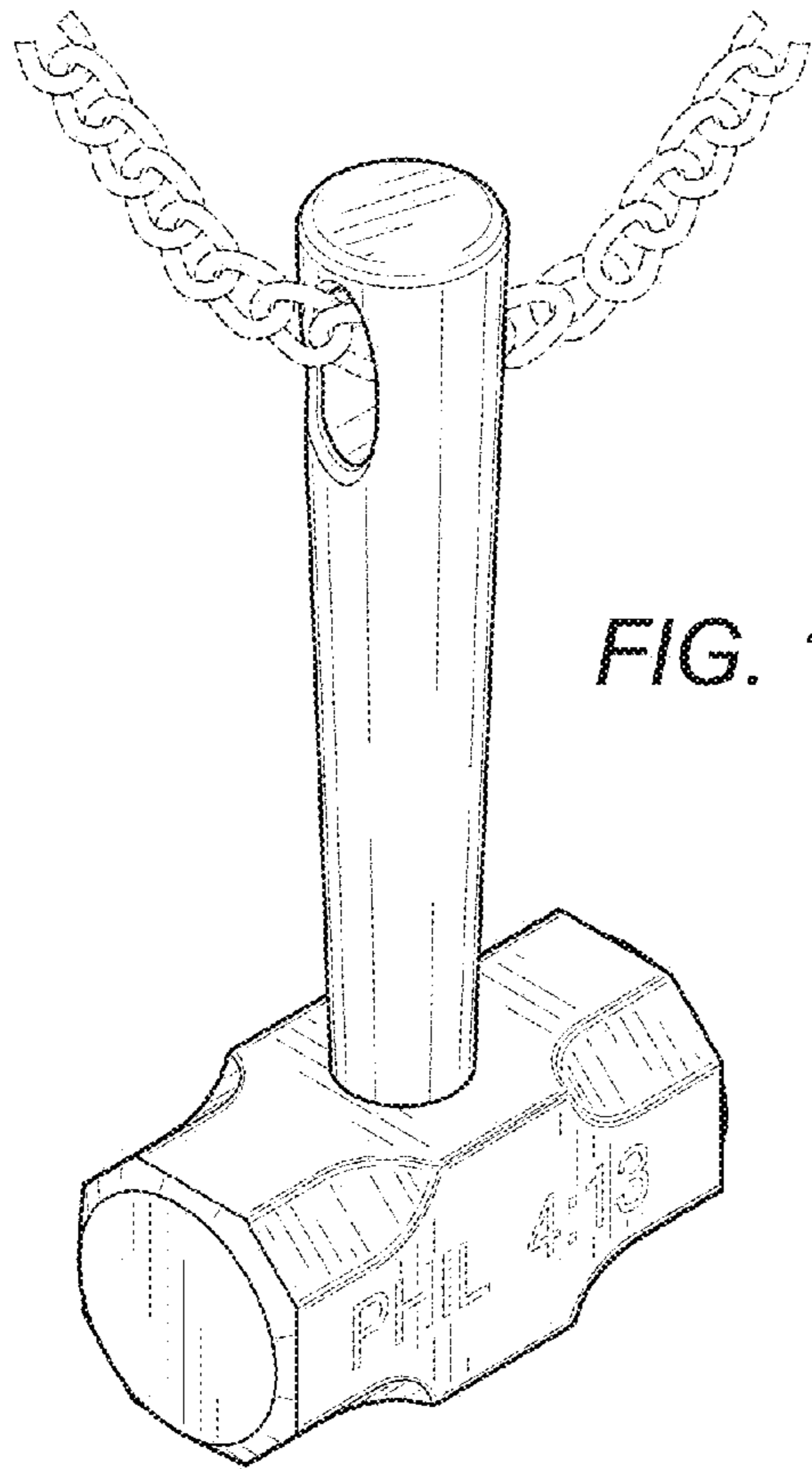


FIG. 1

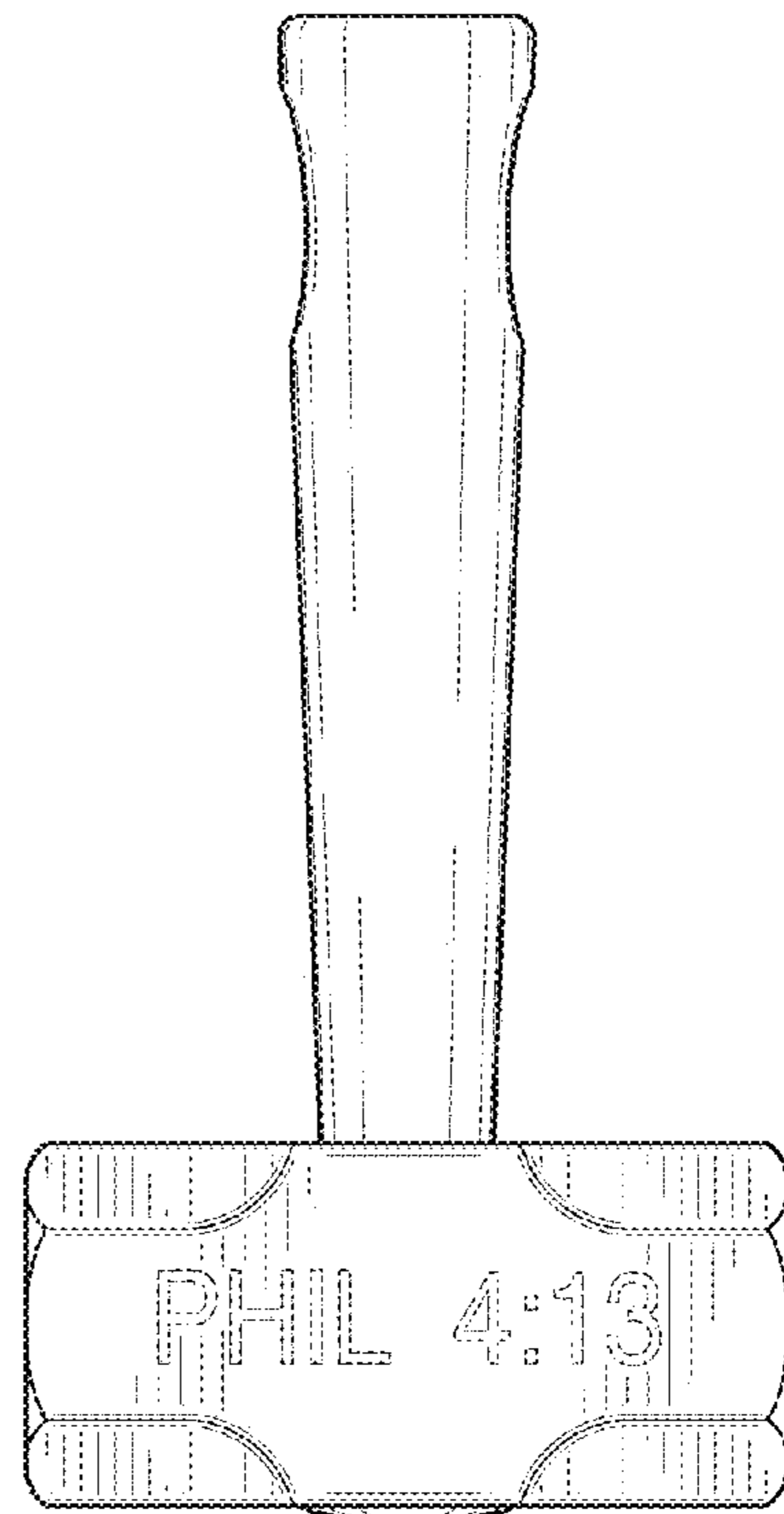


FIG. 2

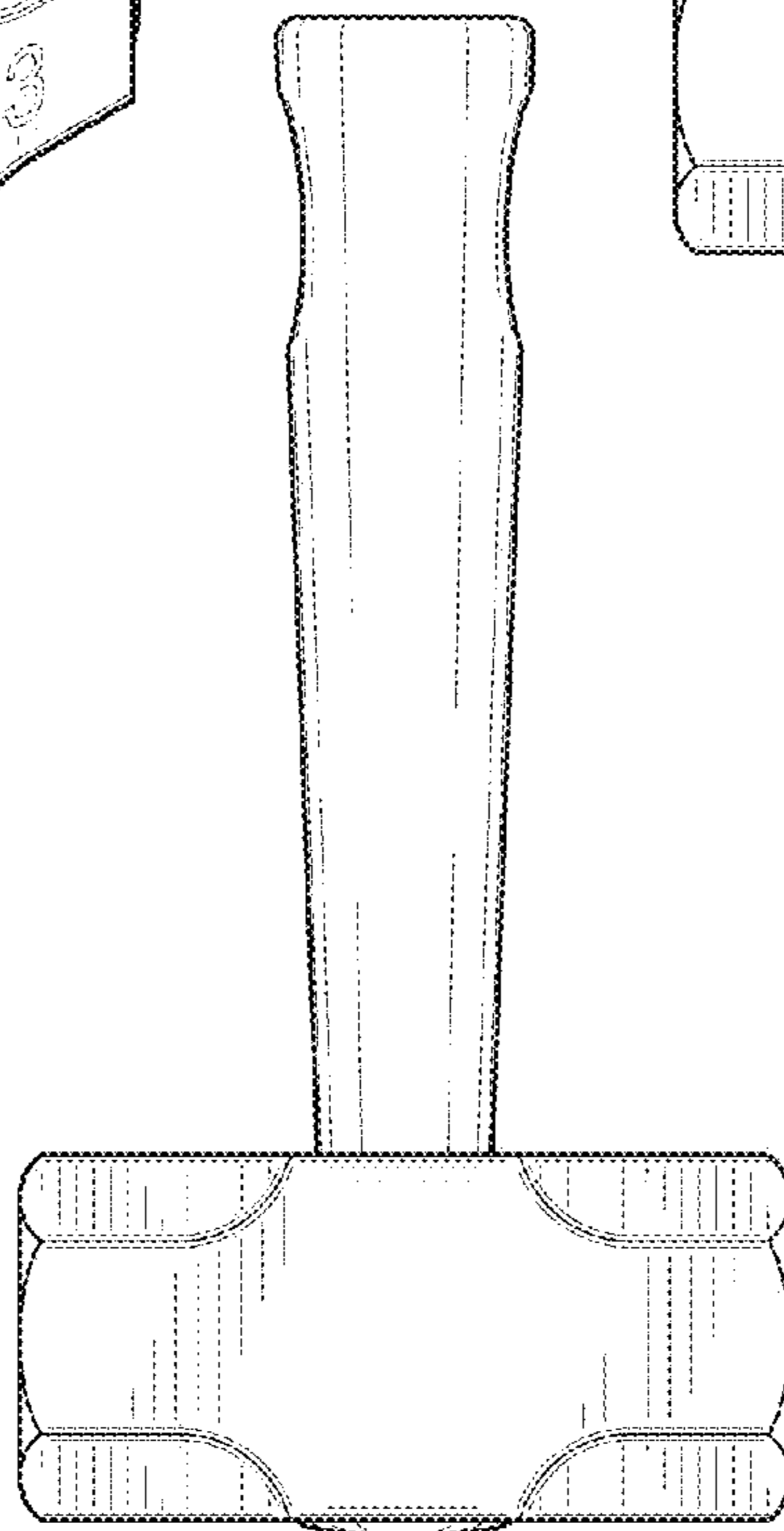


FIG. 3

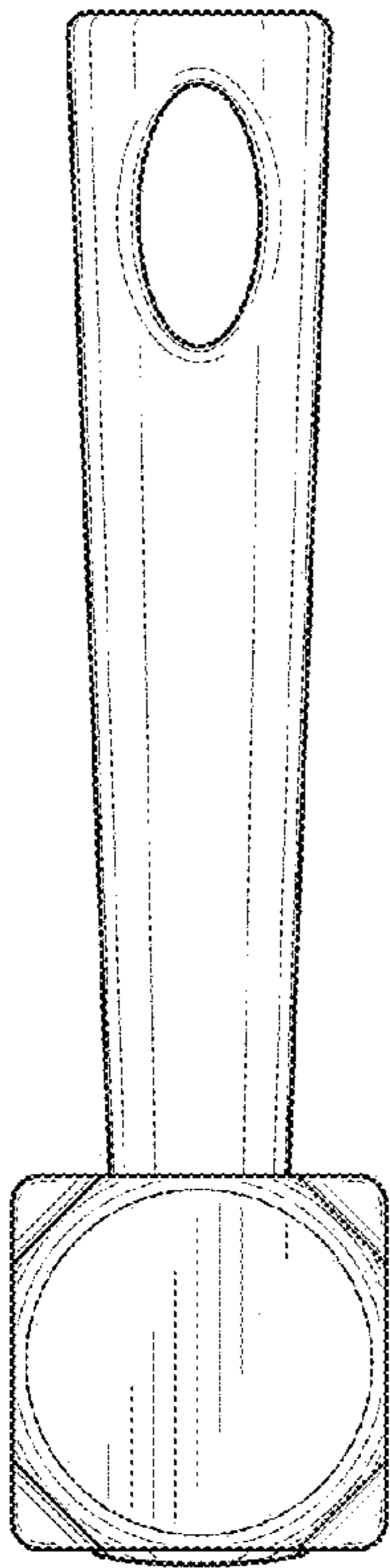


FIG. 4

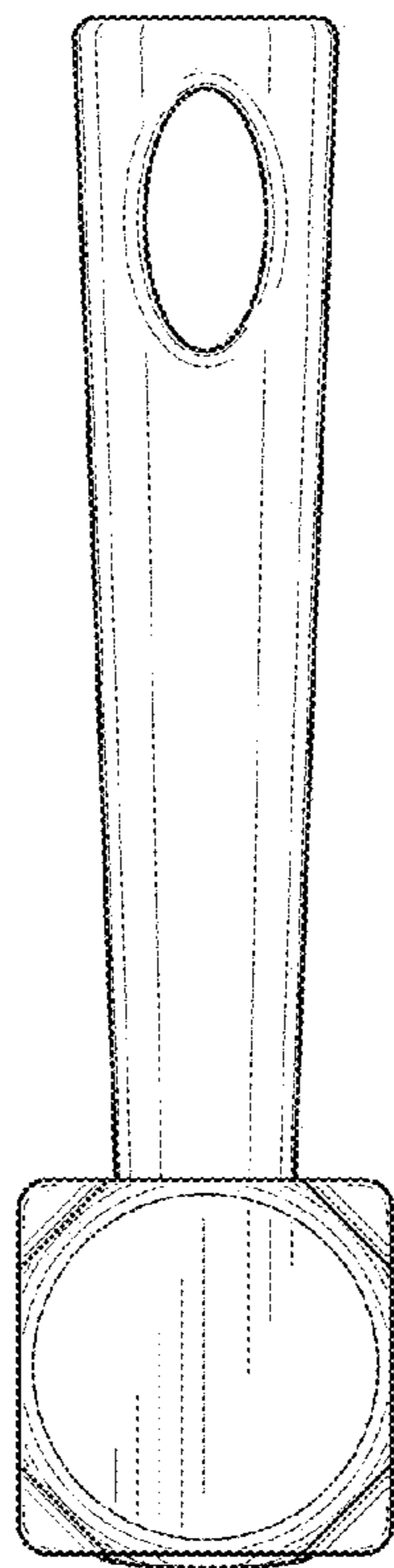


FIG. 5

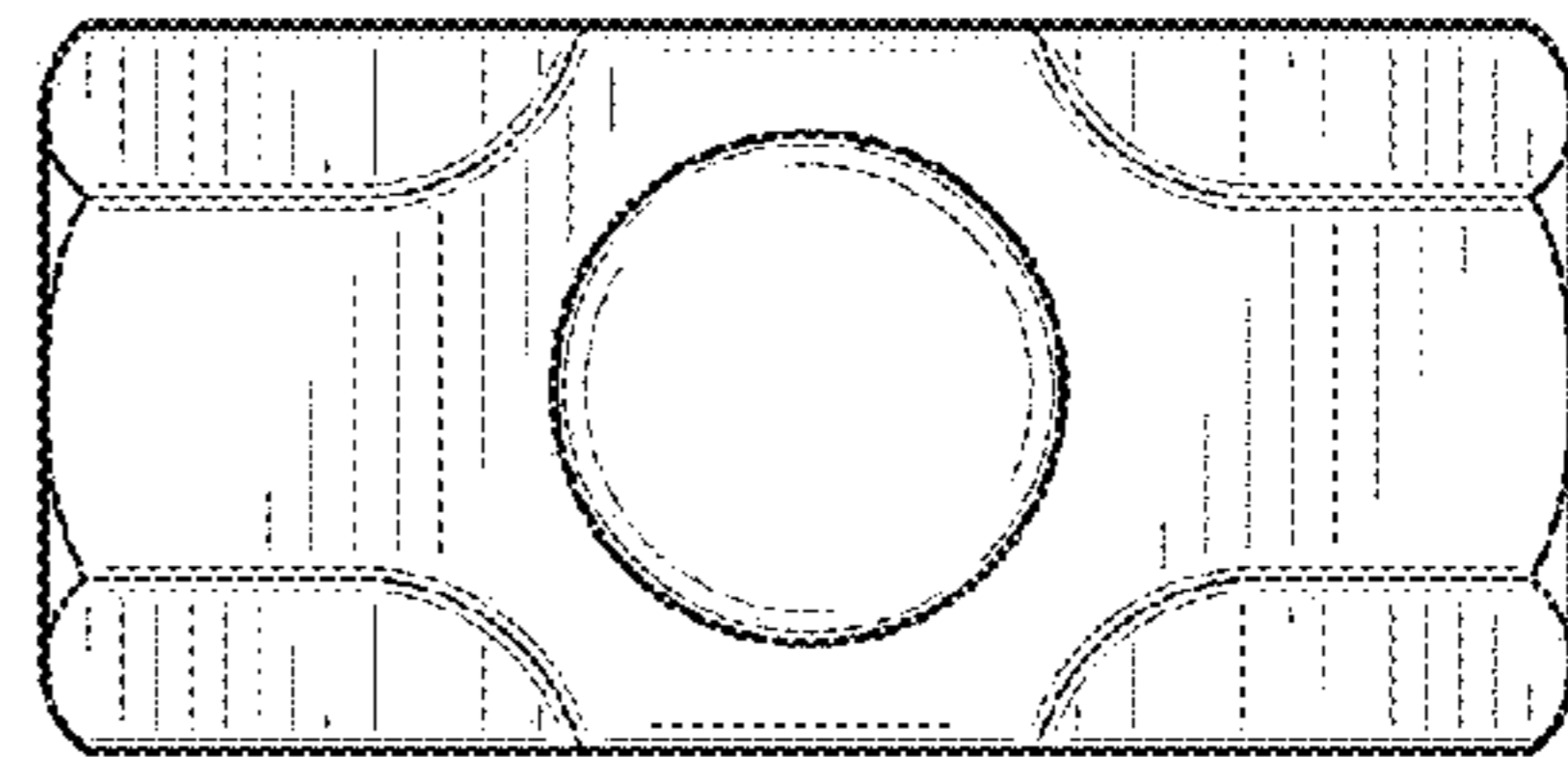


FIG. 6

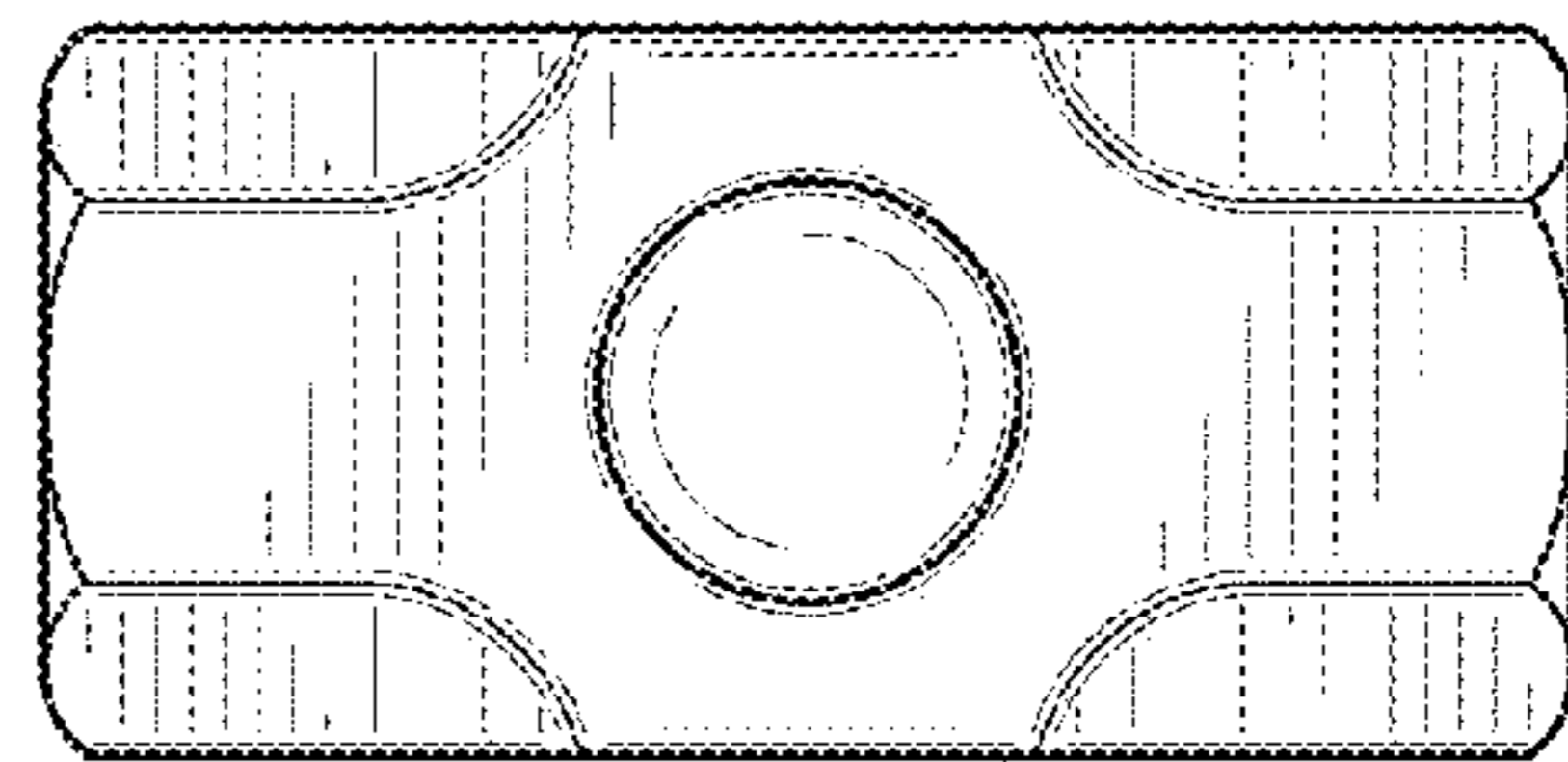


FIG. 7