



US00D756830S

(12) **United States Design Patent**
Gong et al.

(10) **Patent No.:** **US D756,830 S**
(45) **Date of Patent:** **** May 24, 2016**

(54) **LED STRAP TO COMPLY WITH HIGH VISIBILITY STANDARDS**

(71) Applicant: **Roobuck Pty Ltd.**, New South Wales (AU)
(72) Inventors: **Henry Gong**, New South Wales (AU); **Hanson Chen**, New South Wales (AU)
(73) Assignee: **Roobuck Pty Ltd**, New South Wales (AU)

(**) Term: **14 Years**
(21) Appl. No.: **29/522,099**
(22) Filed: **Mar. 27, 2015**

(30) **Foreign Application Priority Data**
Oct. 13, 2014 (AU) 15218/2014
(51) **LOC (10) Cl.** **10-05**
(52) **U.S. Cl.**
USPC **D10/109.1**
(58) **Field of Classification Search**
USPC D10/111, 109.1
CPC G02B 17/00; F21S 4/24
See application file for complete search history.

(56) **References Cited**

U.S. PATENT DOCUMENTS

D330,602 S * 10/1992 Bay D10/111
D375,612 S * 11/1996 Elder D10/111
D395,253 S * 6/1998 Anwyl-Davies D10/114.1
7,125,416 B2 * 10/2006 Kent A61N 5/0616
607/88
8,779,694 B1 * 7/2014 Lindblad F21S 4/24
315/185 R
2011/0085334 A1 * 4/2011 Wang F21V 31/04
362/249.02

* cited by examiner

Primary Examiner — George D Kirschbaum
(74) *Attorney, Agent, or Firm* — Dority & Manning, P.A.

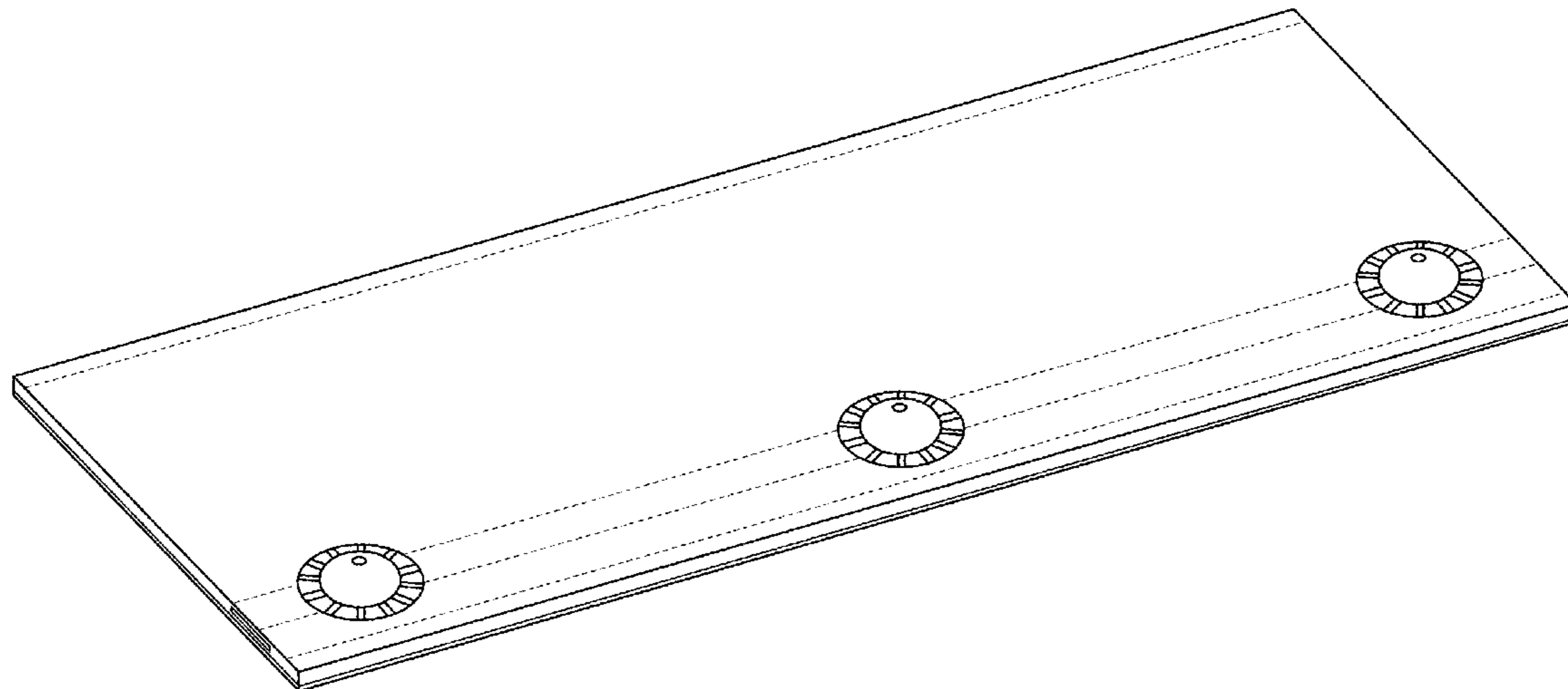
(57) **CLAIM**

The ornamental design for an LED strap to comply with high visibility standards, as shown and described.

DESCRIPTION

FIG. 1 is a perspective view according to the present design. FIG. 2 is a top view of the design of FIG. 1; and, FIG. 3 is a partial side view of the design of FIG. 1. The broken lines depict unclaimed environmental subject matter.

1 Claim, 3 Drawing Sheets



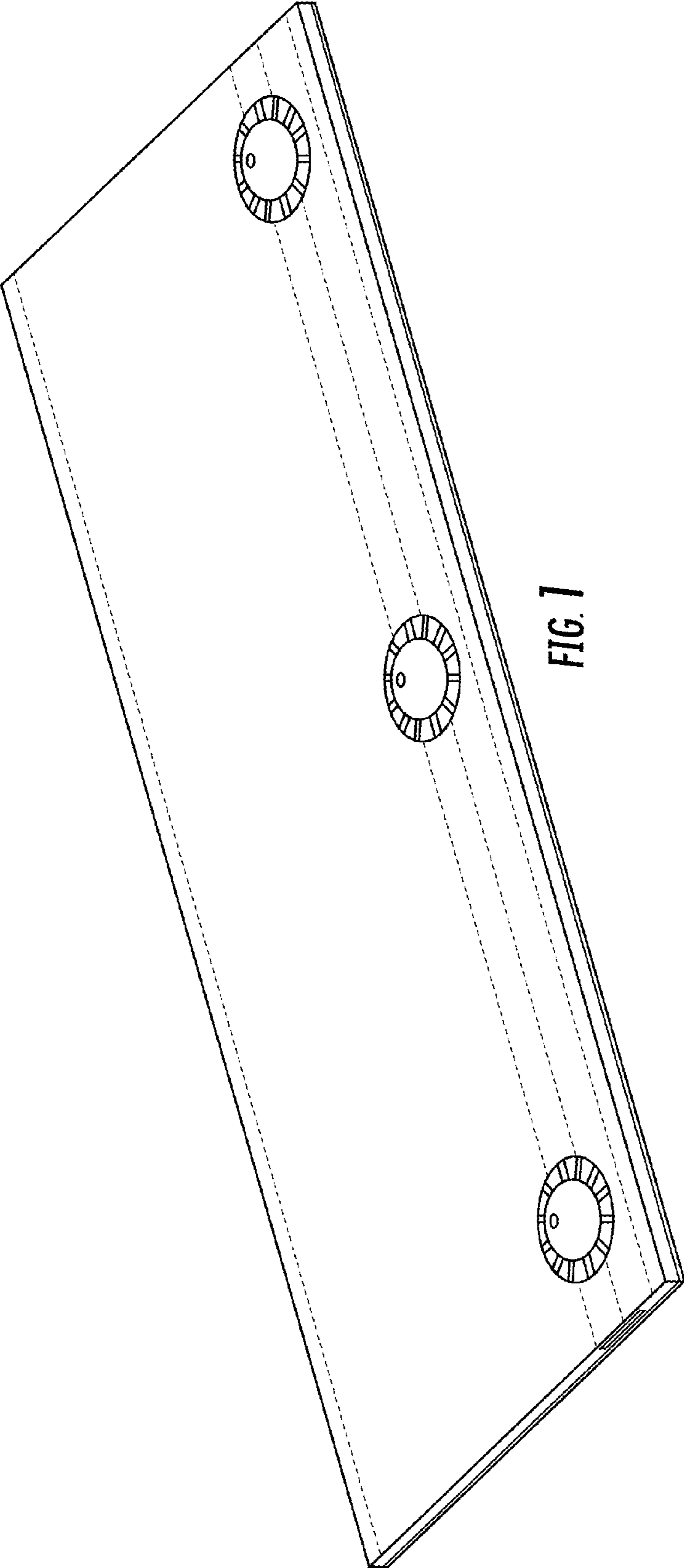


FIG. 1

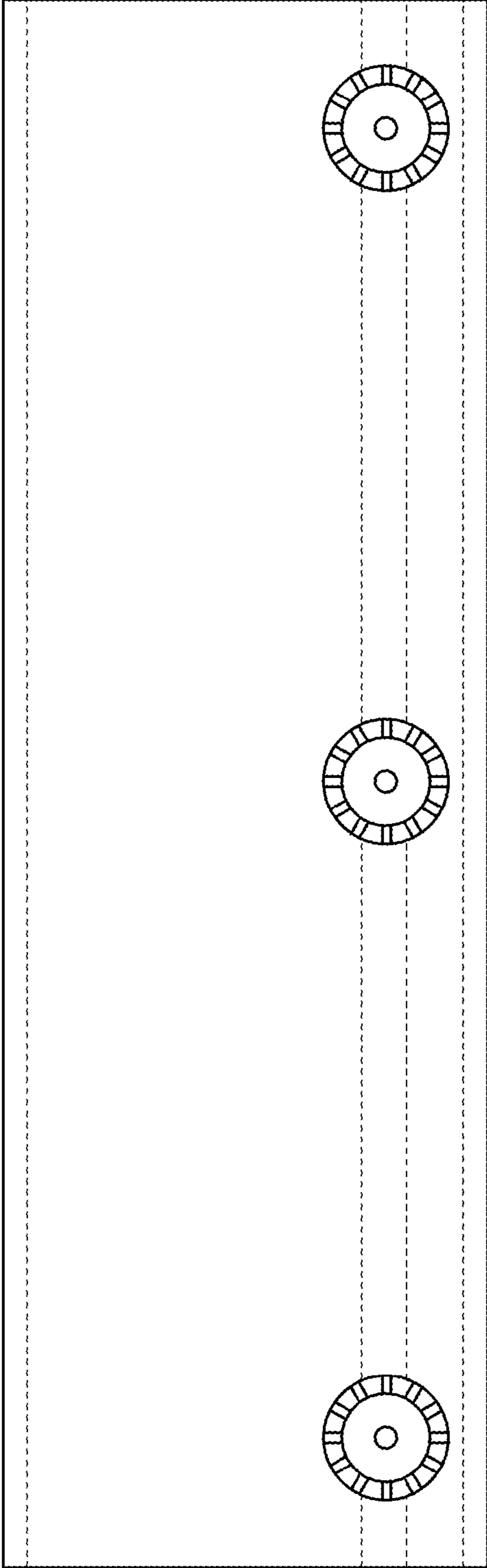


FIG. 2

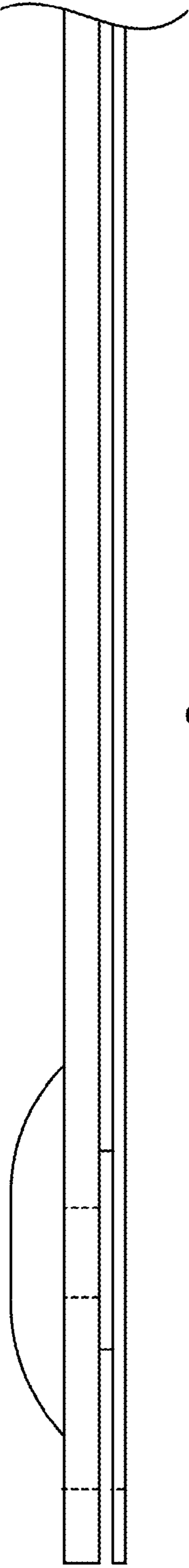


FIG. 3