

US00D756829S

(12) **United States Design Patent**
Greenfield

(10) **Patent No.:** **US D756,829 S**
(45) **Date of Patent:** **** May 24, 2016**

- (54) **MULTI-DIRECTIONAL SIGNAL ASSEMBLY**
- (71) Applicant: **Michael Greenfield**, Boca Raton, FL
(US)
- (72) Inventor: **Michael Greenfield**, Boca Raton, FL
(US)
- (73) Assignee: **THE 1234MMD Investment Trust (IM)**
- (**) Term: **14 Years**
- (21) Appl. No.: **29/484,831**
- (22) Filed: **Mar. 13, 2014**

4,781,636 A	11/1988	Schurr	
4,796,553 A	1/1989	Cogswell et al.	
4,932,910 A	6/1990	Hayday	
5,066,256 A	11/1991	Ward, Sr.	
D328,442 S *	8/1992	Sloan	D10/109.1
5,445,103 A	8/1995	Bleth et al.	
5,609,122 A	3/1997	Jimmie	
5,816,187 A	10/1998	Jimmie	
6,162,106 A	12/2000	Shieh	
6,200,026 B1	3/2001	Carmichael	
6,227,766 B1	5/2001	Cook	
D463,306 S *	9/2002	Fritz	D10/111
6,592,416 B1	7/2003	Hochschild, III	
6,652,339 B1	11/2003	Carmichael	
6,860,773 B2	3/2005	Carmichael	
7,083,484 B2	8/2006	Carmichael	
7,303,453 B1	12/2007	Bourke	
7,337,568 B2	3/2008	Johnson	
7,824,238 B1	11/2010	Winter	
2007/0105659 A1	5/2007	Kennedy, III et al.	
2007/0283877 A1	12/2007	Durkin	
2008/0070457 A1	3/2008	Yonover et al.	

Related U.S. Application Data

- (63) Continuation of application No. 14/157,207, filed on Jan. 16, 2014.
- (51) **LOC (10) Cl.** **10-05**
- (52) **U.S. Cl.**
USPC **D10/107**
- (58) **Field of Classification Search**
USPC D10/111, 113.1, 113.4, 109.1,
D10/114.1-114.2, 114.4, 107; D26/97, 91,
D26/28, 37
CPC B63C 11/26
See application file for complete search history.

References Cited

U.S. PATENT DOCUMENTS

2,954,005 A	9/1960	Cioffi	
D207,931 S *	6/1967	Huret	D10/111
D210,708 S *	4/1968	Sorenson	D10/111
D226,594 S *	3/1973	Teasel	D10/111
4,123,813 A	11/1978	Adams	
4,283,169 A *	8/1981	Tuomala	431/359
4,312,600 A	1/1982	Schaaf et al.	
4,426,801 A	1/1984	Gates	
4,462,145 A	7/1984	Schulze	
4,573,933 A	3/1986	Cameron	

(Continued)

Primary Examiner — George D Kirschbaum

(74) *Attorney, Agent, or Firm* — Malloy & Malloy, P.L.

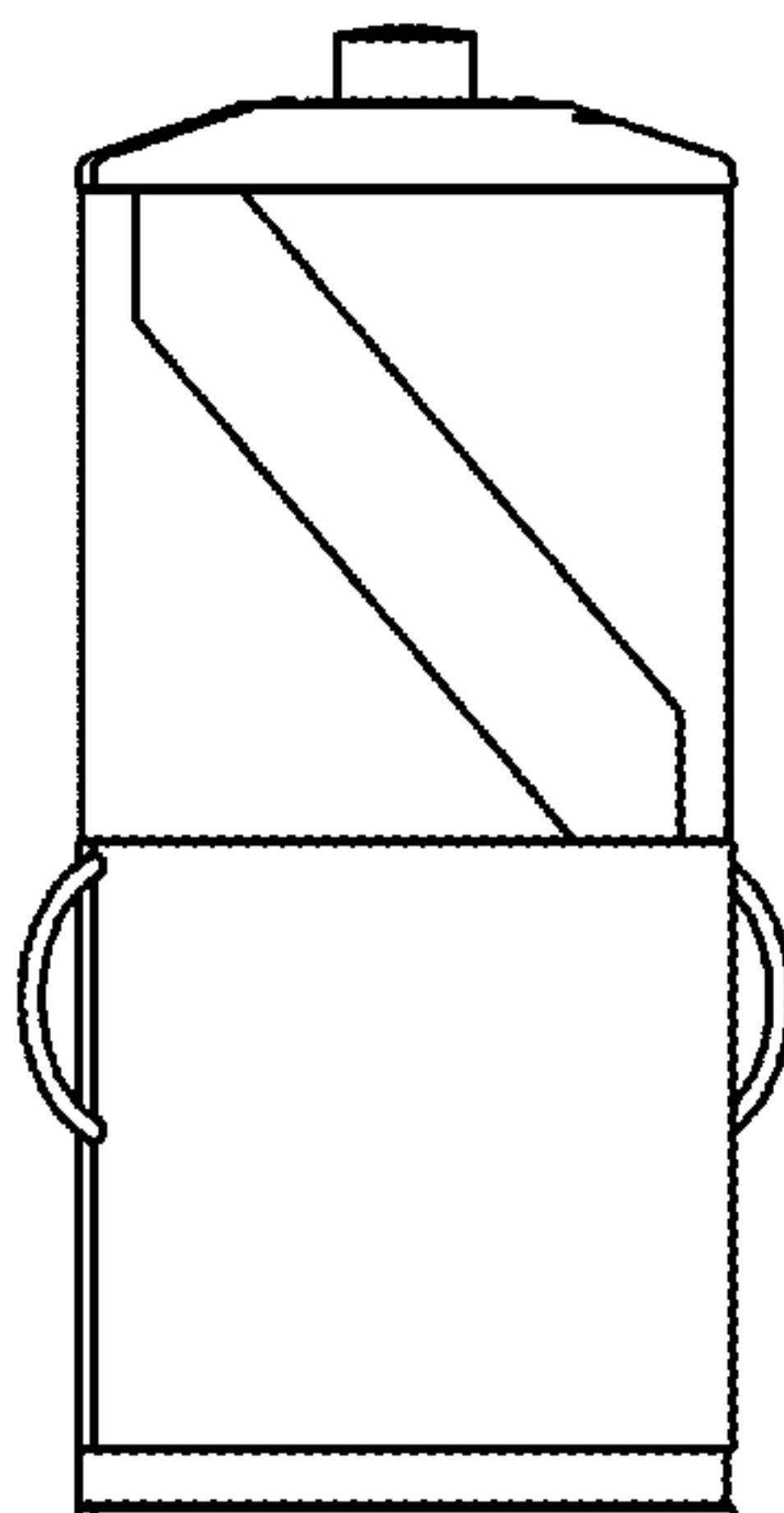
(57) **CLAIM**

The ornamental design for a multi-directional signal assembly, as shown and described.

DESCRIPTION

FIG. 1 is a front view illustrating one embodiment of my design for a multi-directional signal assembly;
 FIG. 2 is a rear view thereof;
 FIG. 3 is a right side view thereof;
 FIG. 4 is a left side view thereof;
 FIG. 5 is a perspective view thereof;
 FIG. 6 is a top plan view thereof; and,
 FIG. 7 is a bottom plan view thereof.
 The broken line showing of a post is included for the purpose of illustrating portions of the “article” and forms no part of the claimed design.

1 Claim, 7 Drawing Sheets



(56)

References Cited

U.S. PATENT DOCUMENTS

2010/0227517 A1 9/2010 Bailey

2011/0065342 A1 3/2011 Hudson
2011/0136399 A1 6/2011 Mandrik

* cited by examiner

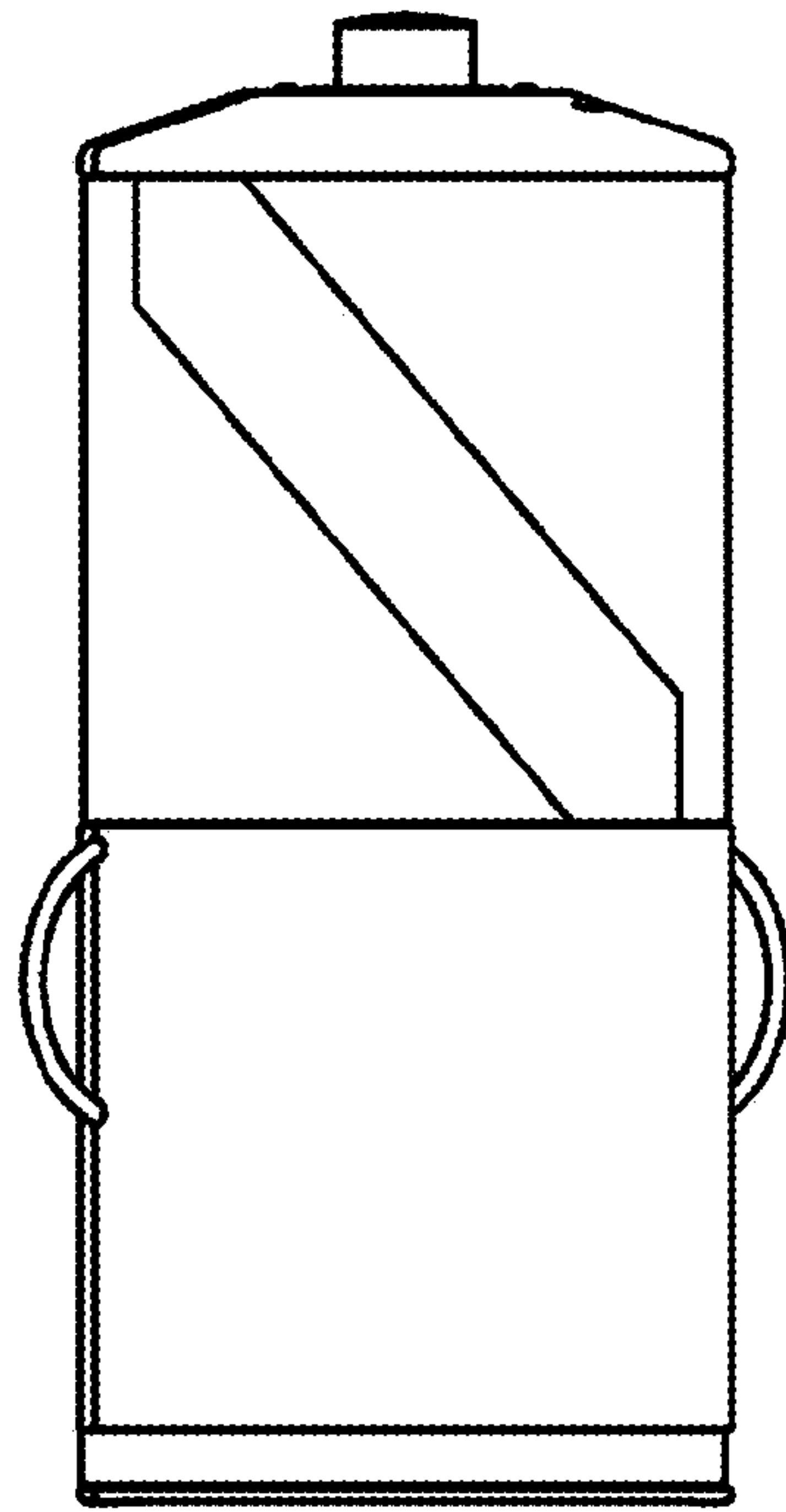


FIG 1

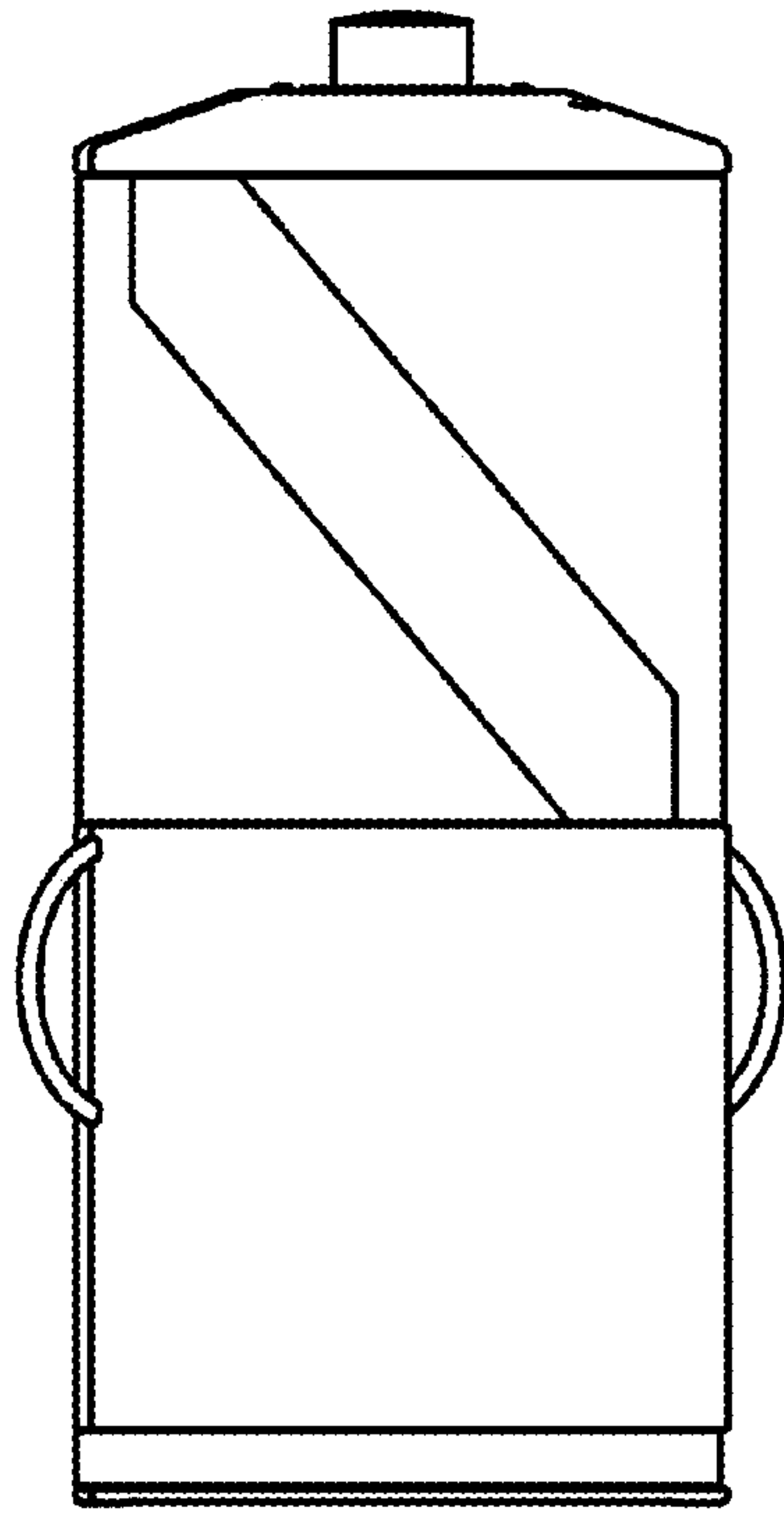


FIG 2

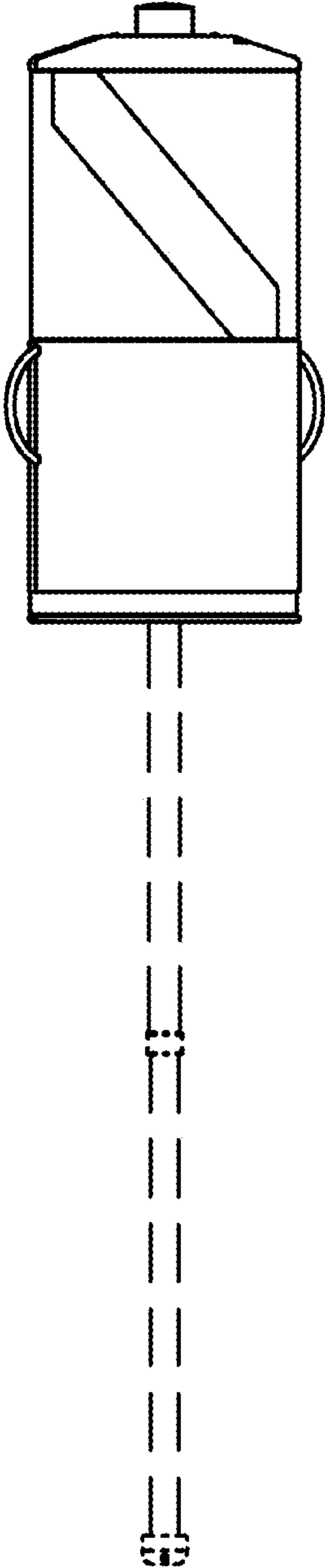


FIG 3

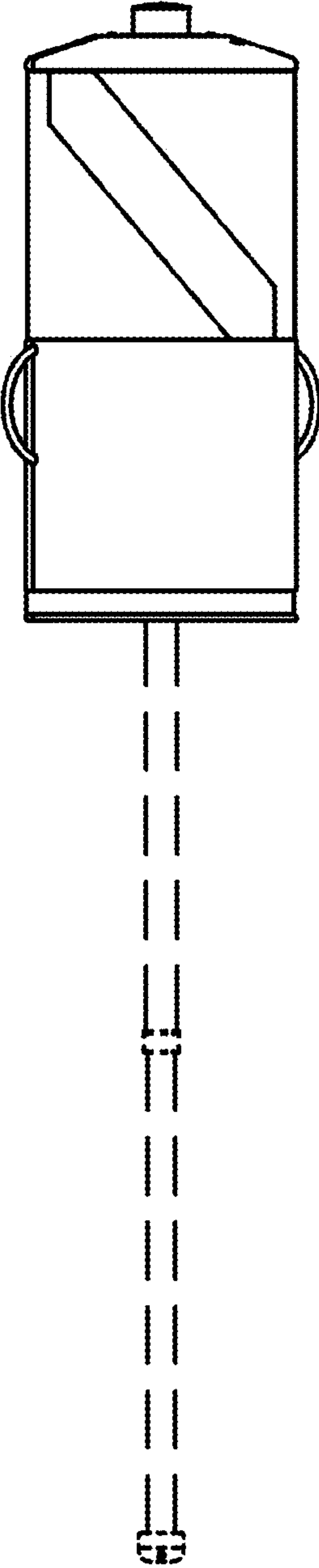


FIG 4

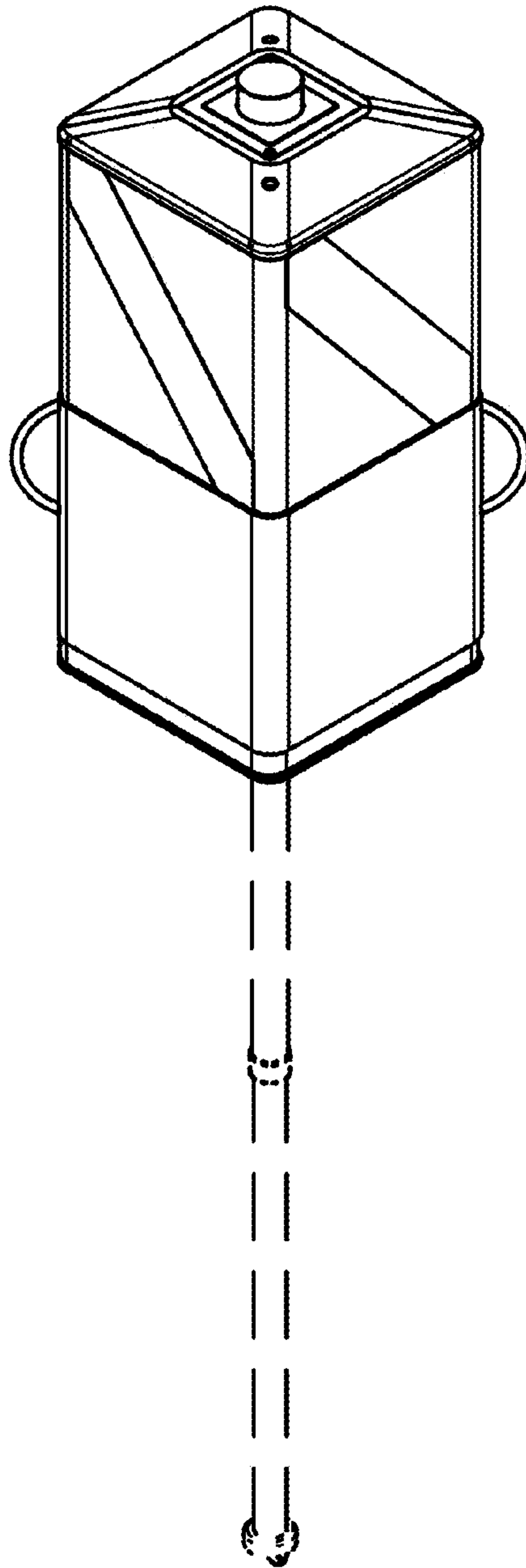


FIG 5

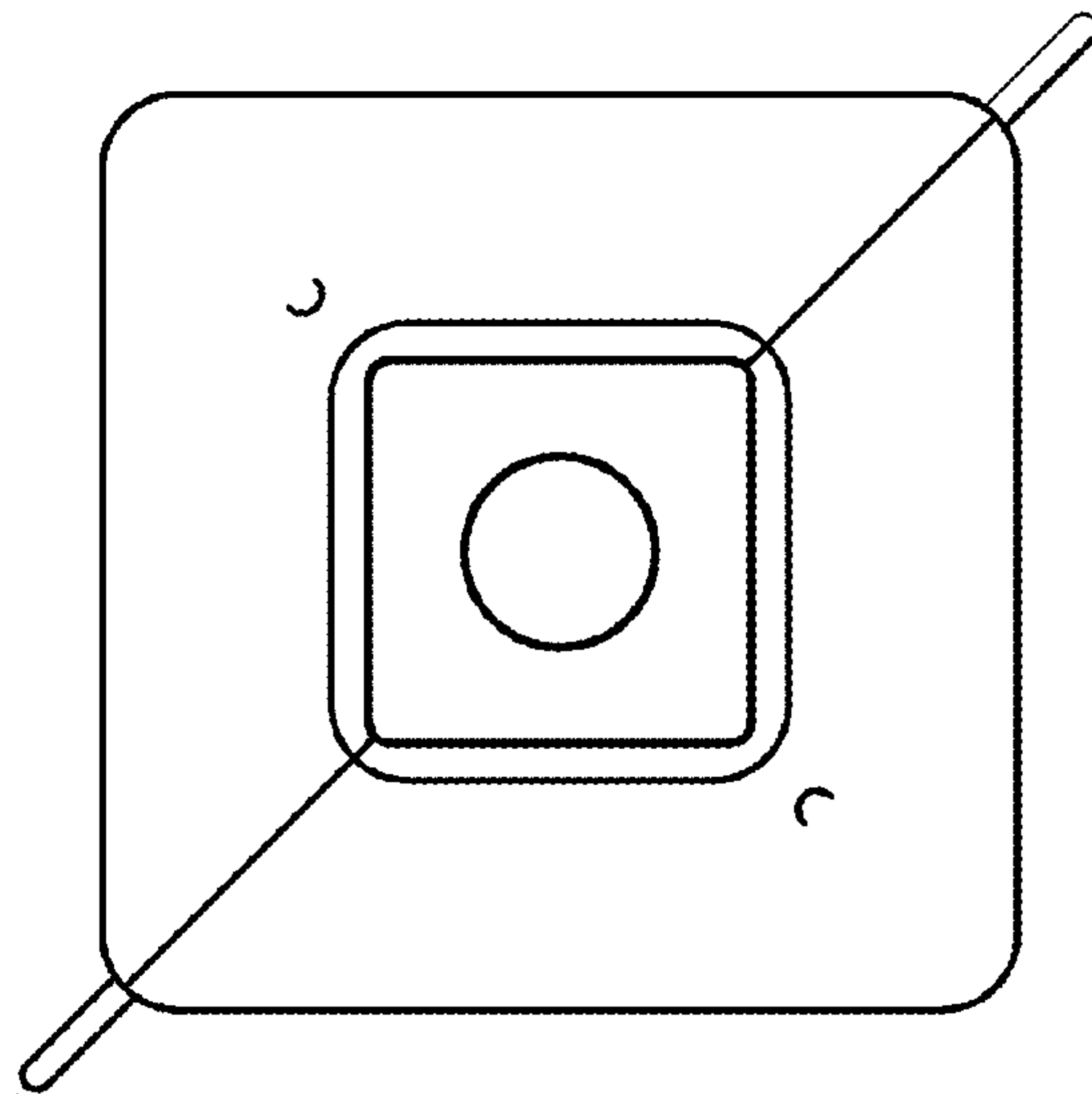


FIG 6

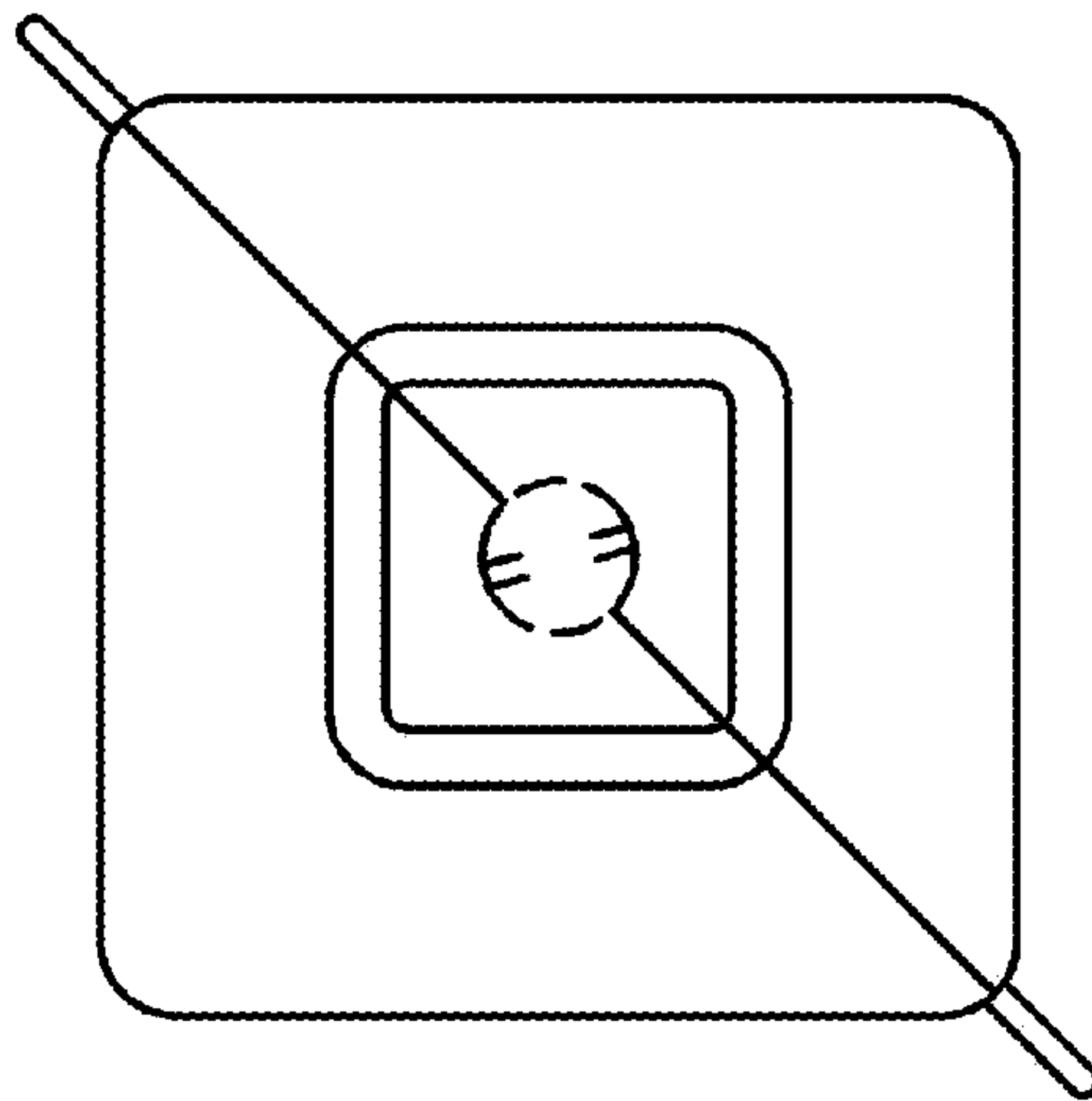


FIG 7