



US00D756827S

(12) **United States Design Patent**
Chung

(10) **Patent No.:** **US D756,827 S**

(45) **Date of Patent:** **** May 24, 2016**

(54) **LIGHTNING ROD**

(71) Applicant: **OMNI LPS. CO., LTD.**, Seoul (KR)

(72) Inventor: **Young-ki Chung**, Seoul (KR)

(73) Assignee: **THE KOREA DEVELOPMENT BANK** (KR)

(**) Term: **14 Years**

(21) Appl. No.: **29/517,157**

(22) Filed: **Feb. 10, 2015**

(30) **Foreign Application Priority Data**

Dec. 26, 2014 (KR) 30-2014-0063476

(51) **LOC (10) Cl.** **10-05**

(52) **U.S. Cl.**
USPC **D10/105**

(58) **Field of Classification Search**
USPC D10/105
CPC H01R 3/00; H01R 210/00
See application file for complete search history.

(56) **References Cited**

U.S. PATENT DOCUMENTS

D267,876 S * 2/1983 Malmin D13/133
4,480,146 A * 10/1984 Invernizzi H02G 13/00
174/3

D375,272 S * 11/1996 Heary D10/105
D428,537 S * 7/2000 Miller D30/124
D511,115 S * 11/2005 Chung D10/105
D558,625 S * 1/2008 Chung D10/105
D567,689 S * 4/2008 Chung D10/105
D642,948 S * 8/2011 Chung D10/105

* cited by examiner

Primary Examiner — George D Kirschbaum

(74) *Attorney, Agent, or Firm* — David R. Stevens; Stevens Law Group

(57) **CLAIM**

The ornamental design for a lightning rod, as shown and described.

DESCRIPTION

FIG. 1 is a perspective view of a lightning rod of my new design.

FIG. 2 is a front view thereof;

FIG. 3 is a rear side view thereof;

FIG. 4 is a left side view thereof;

FIG. 5 is a right side view thereof;

FIG. 6 is a plan view thereof; and,

FIG. 7 is a bottom view thereof.

The article in which the design is embodied is for use in protecting a building or structure from lightning.

1 Claim, 7 Drawing Sheets

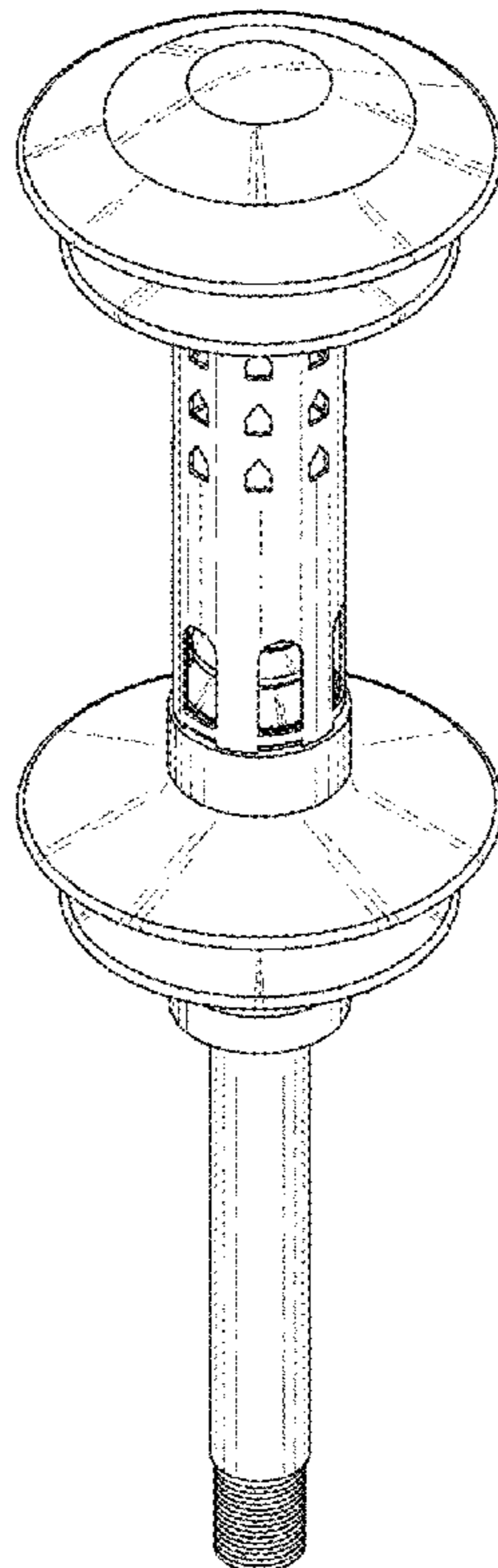


FIG. 1

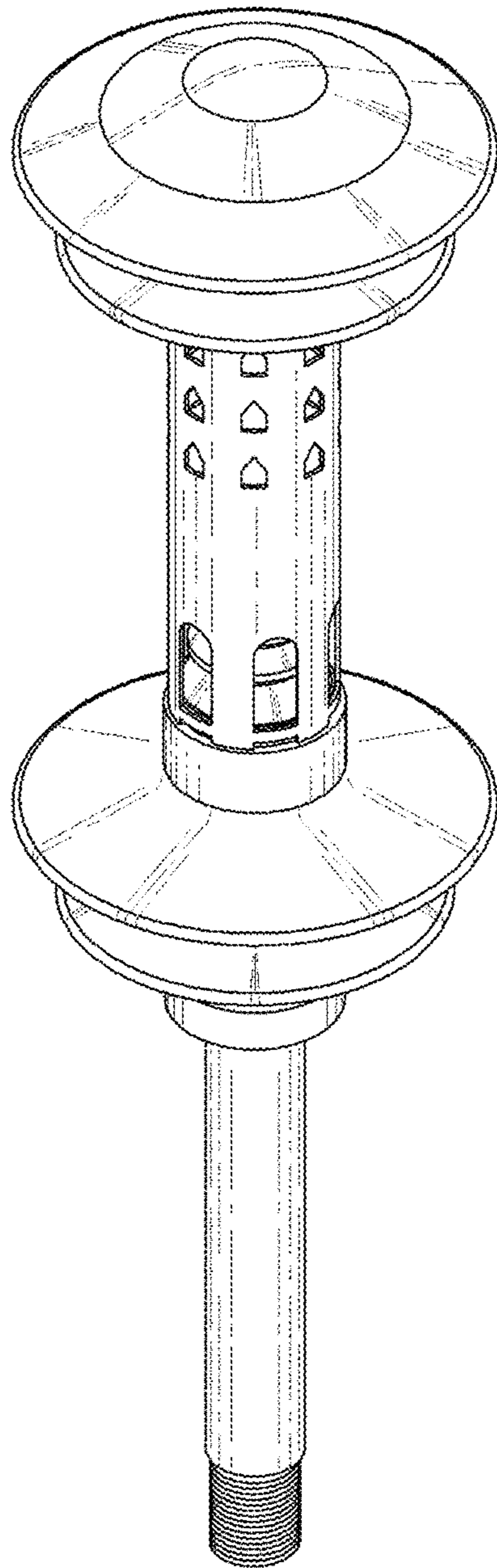


FIG. 2

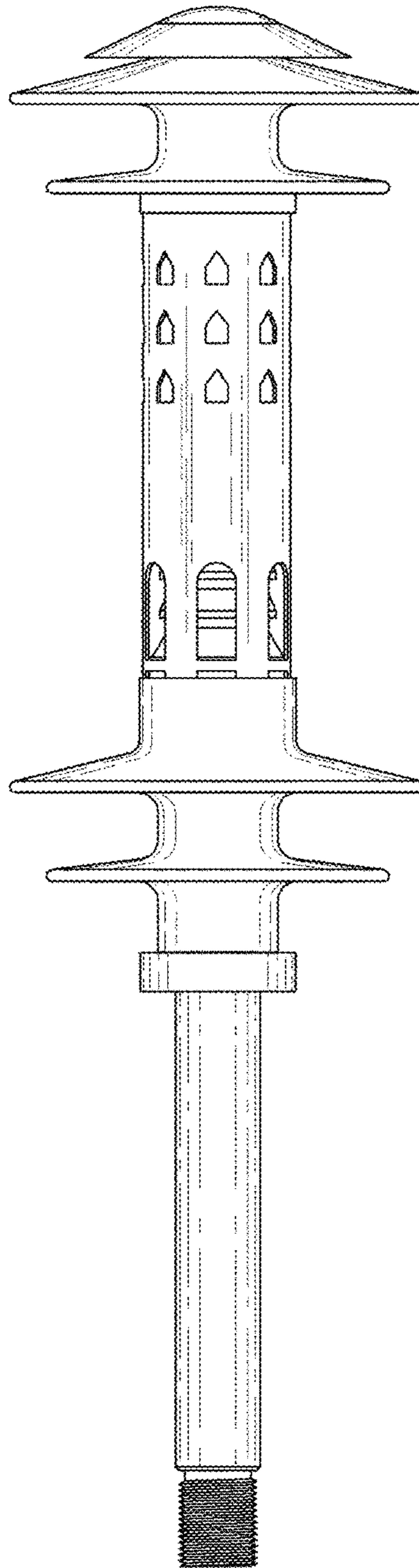


FIG. 3

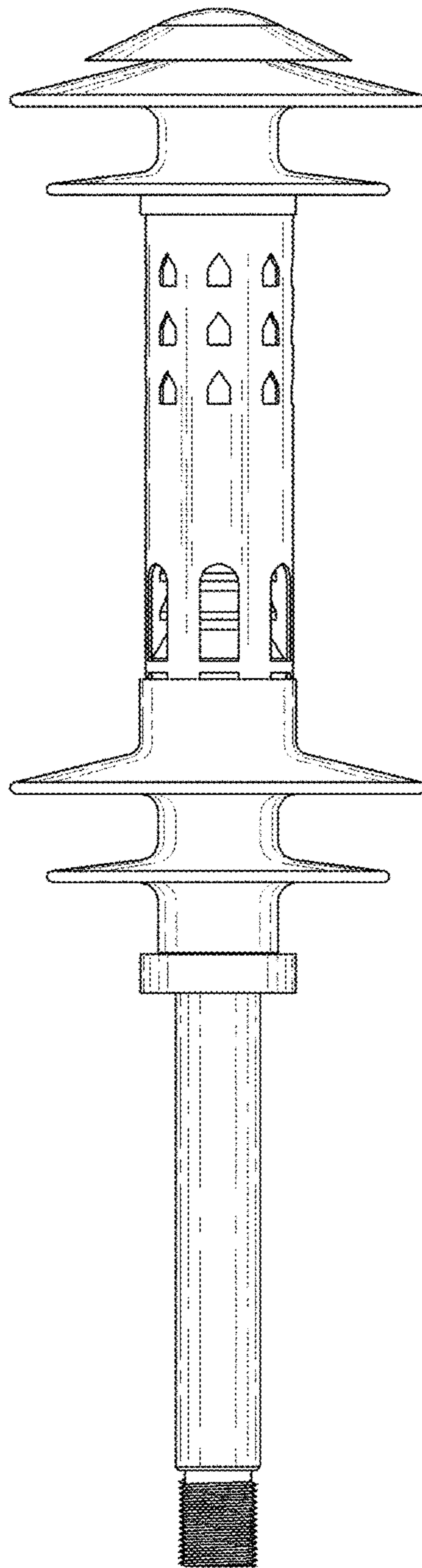


FIG. 4

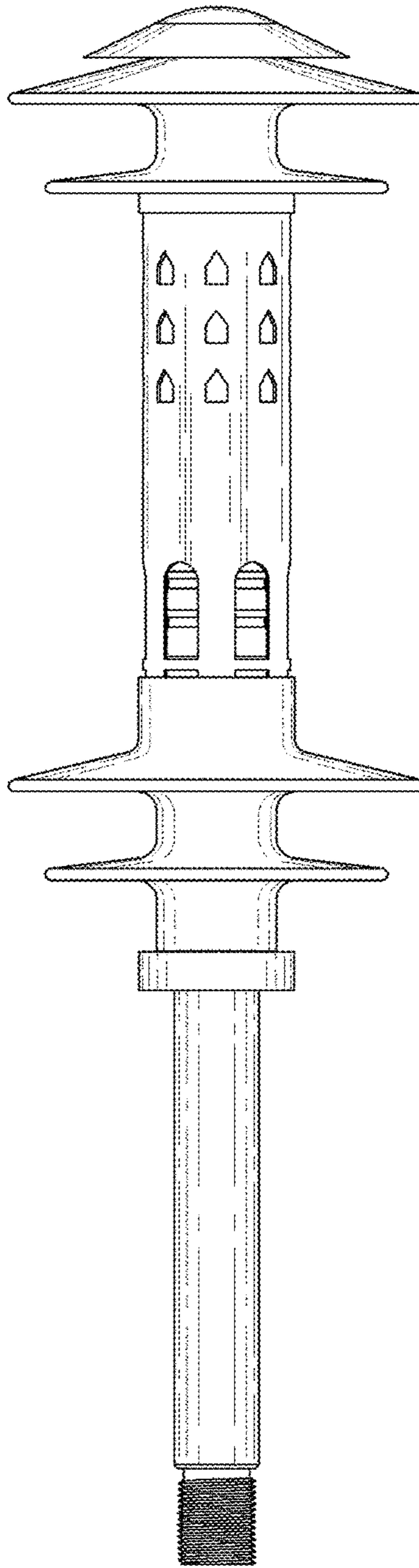


FIG. 5

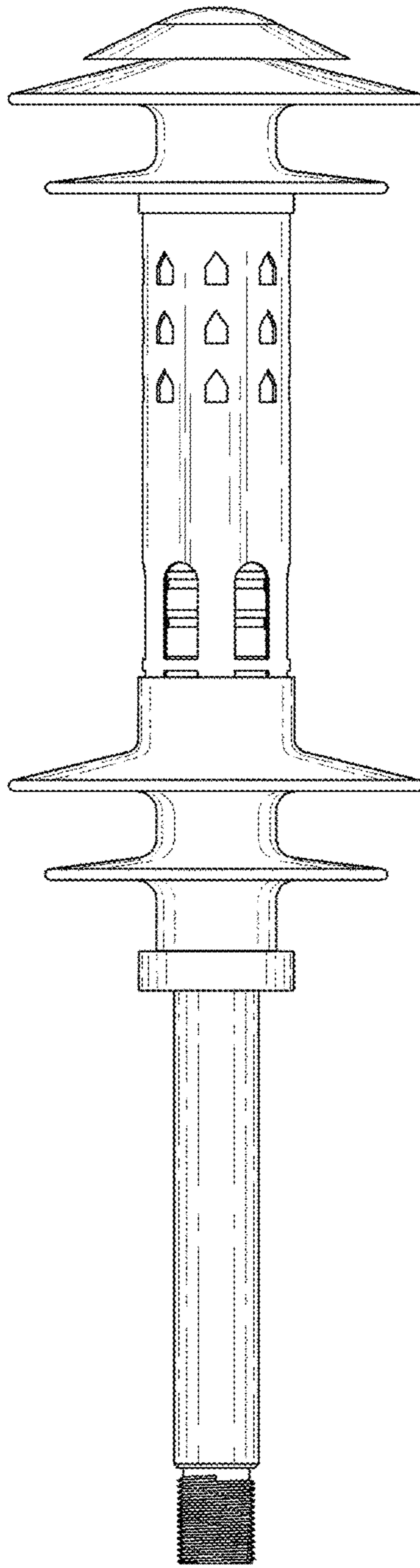


FIG. 6

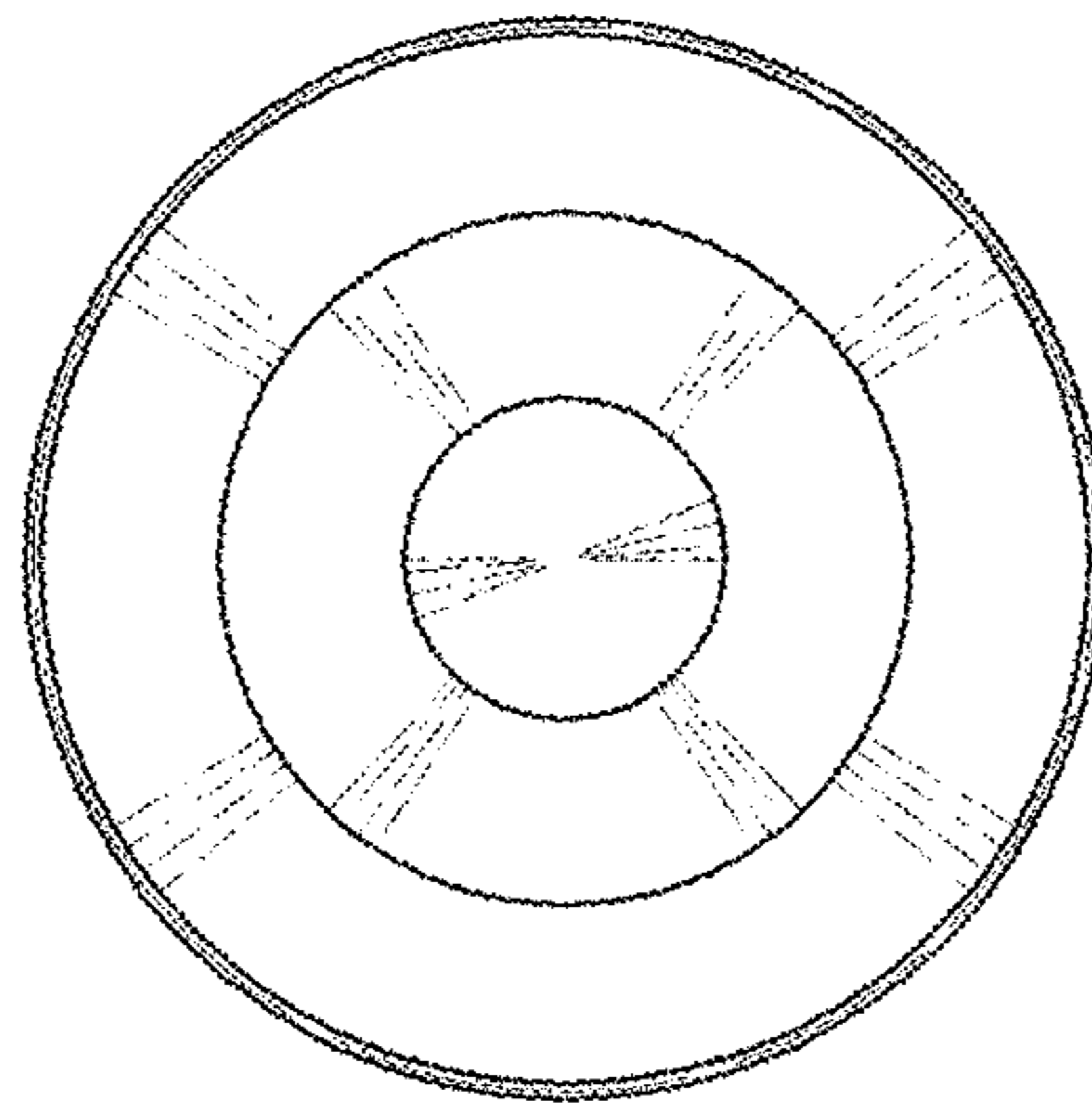


FIG. 7

